



US00D346184S

United States Patent [19] Ples

[11] Patent Number: **Des. 346,184**
[45] Date of Patent: **** Apr. 19, 1994**

[54] TABLE SOCCER GAME

5,046,734 9/1991 Laine 273/85 F

[76] Inventor: **Anthony Ples, 36 Leatherhead Court,
Brammpton, Ontario, Canada, L6S
5E7**

[**] Term: **14 Years**

[21] Appl. No.: **873,070**

[22] Filed: **Apr. 24, 1992**

[52] U.S. Cl. **D21/18; D21/11;
D21/27**

[58] Field of Search **273/85 C, 85 E, 85 F,
273/236-285; D21/7-11, 14-36**

[56] **References Cited**

U.S. PATENT DOCUMENTS

D. 226,861	5/1973	Matsumoto	D21/5
D. 257,446	10/1980	Matsumoto	D21/27
4,046,378	9/1977	Furr	273/85
4,065,128	12/1977	Gomori	273/85
4,078,797	3/1978	Bergee	273/85
4,334,682	6/1982	Ham	273/85 C

OTHER PUBLICATIONS

Toys & Novelties, Aug. 1962, p. 108 "Hockey Game",
top.

Play Meter, Jan. 1989 p. 107 "Boxing Machine", center.

Primary Examiner—Bernard Ansher

Assistant Examiner—Sandra Morris

Attorney, Agent, or Firm—Terry M. Gernstein

[57] CLAIM

The ornamental design for a table soccer game, as
shown and described.

DESCRIPTION

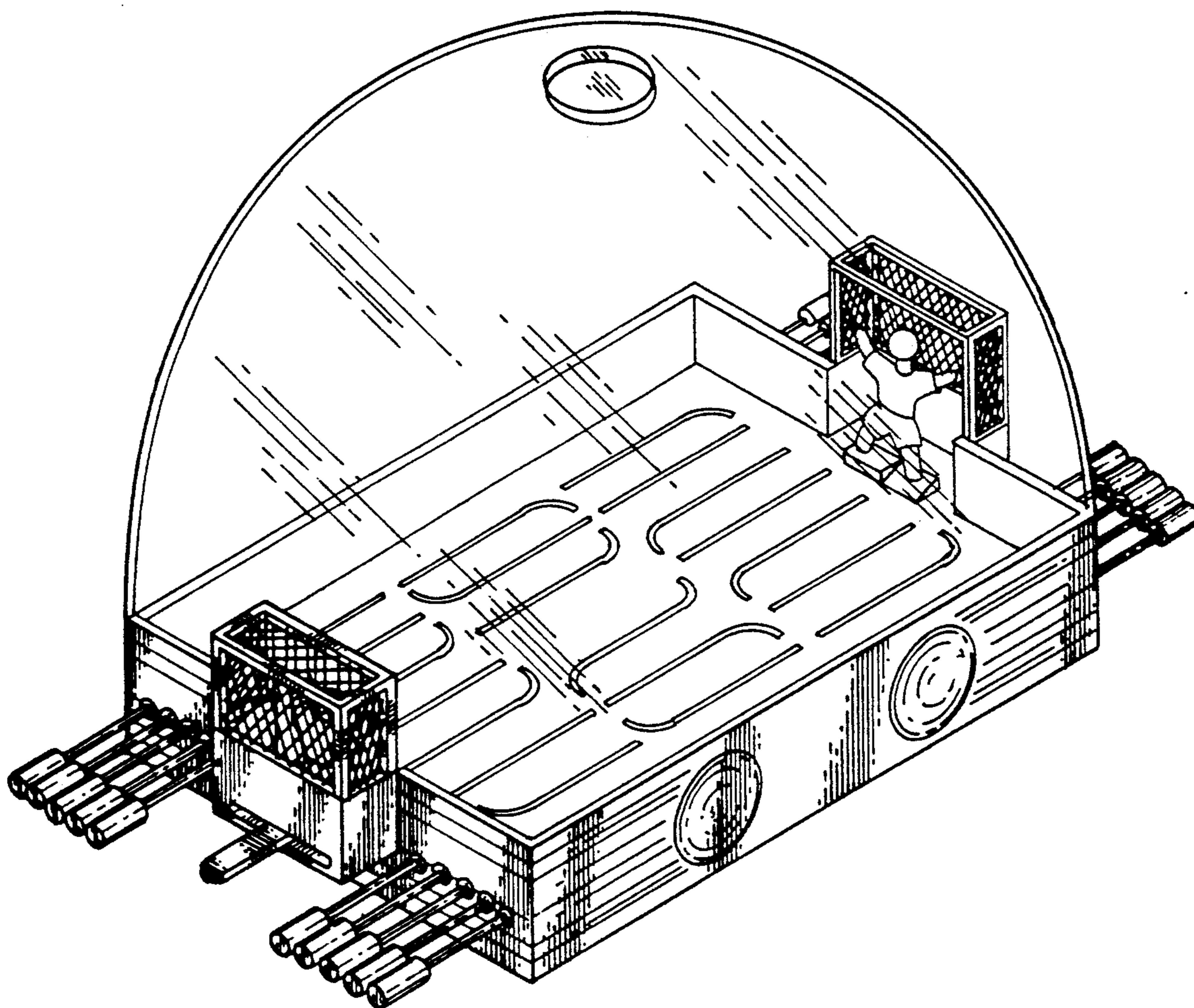
FIG. 1 is a perspective view of the table soccer game
embodying the design of the present invention;

FIG. 2 is a front elevational view thereof, the rear being
a mirror image;

FIG. 3 is a side elevational view thereof, the side oppo-
site being a mirror image;

FIG. 4 is a top plan view thereof; and,

FIG. 5 is a bottom view thereof.



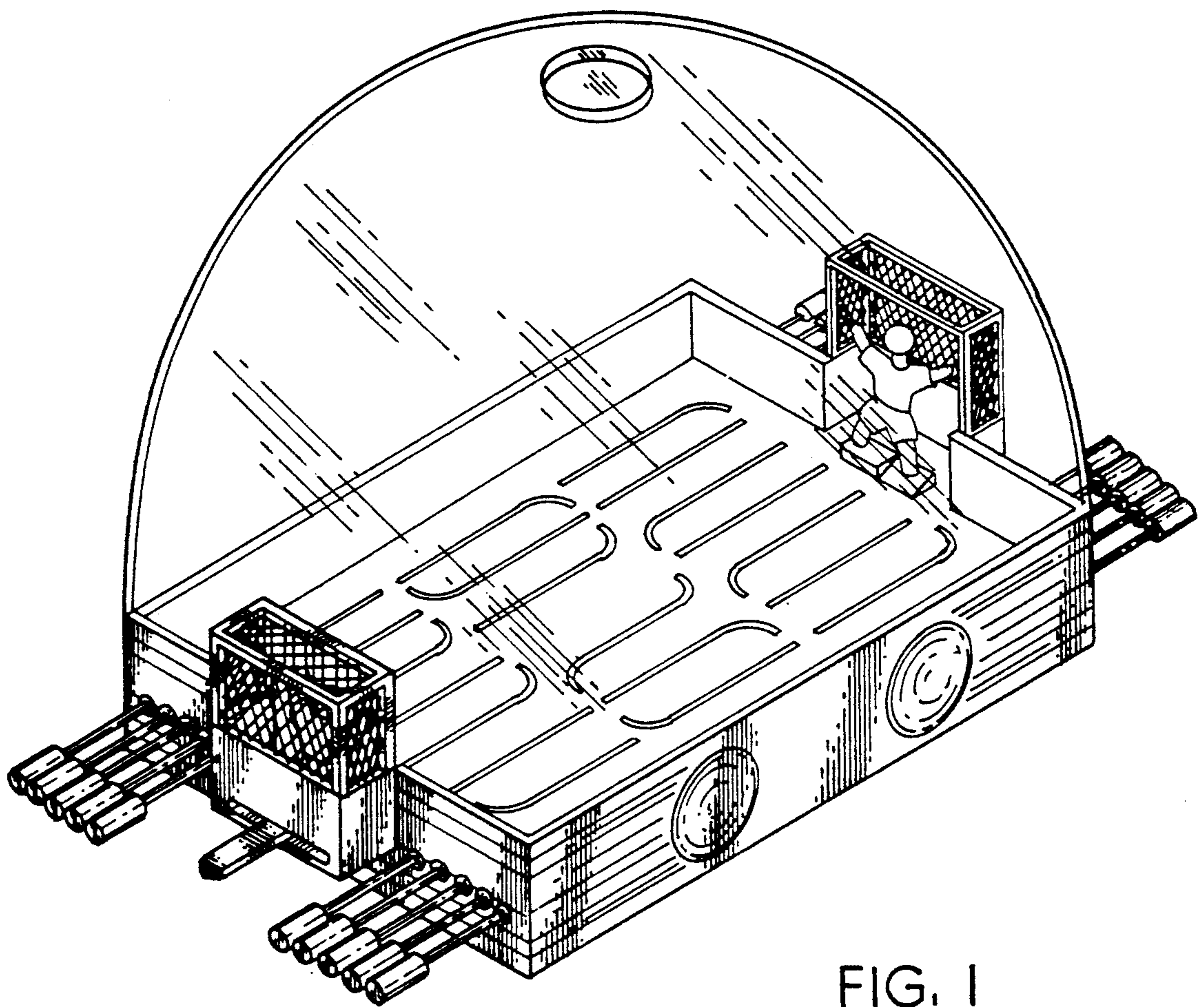


FIG. 1

FIG. 2

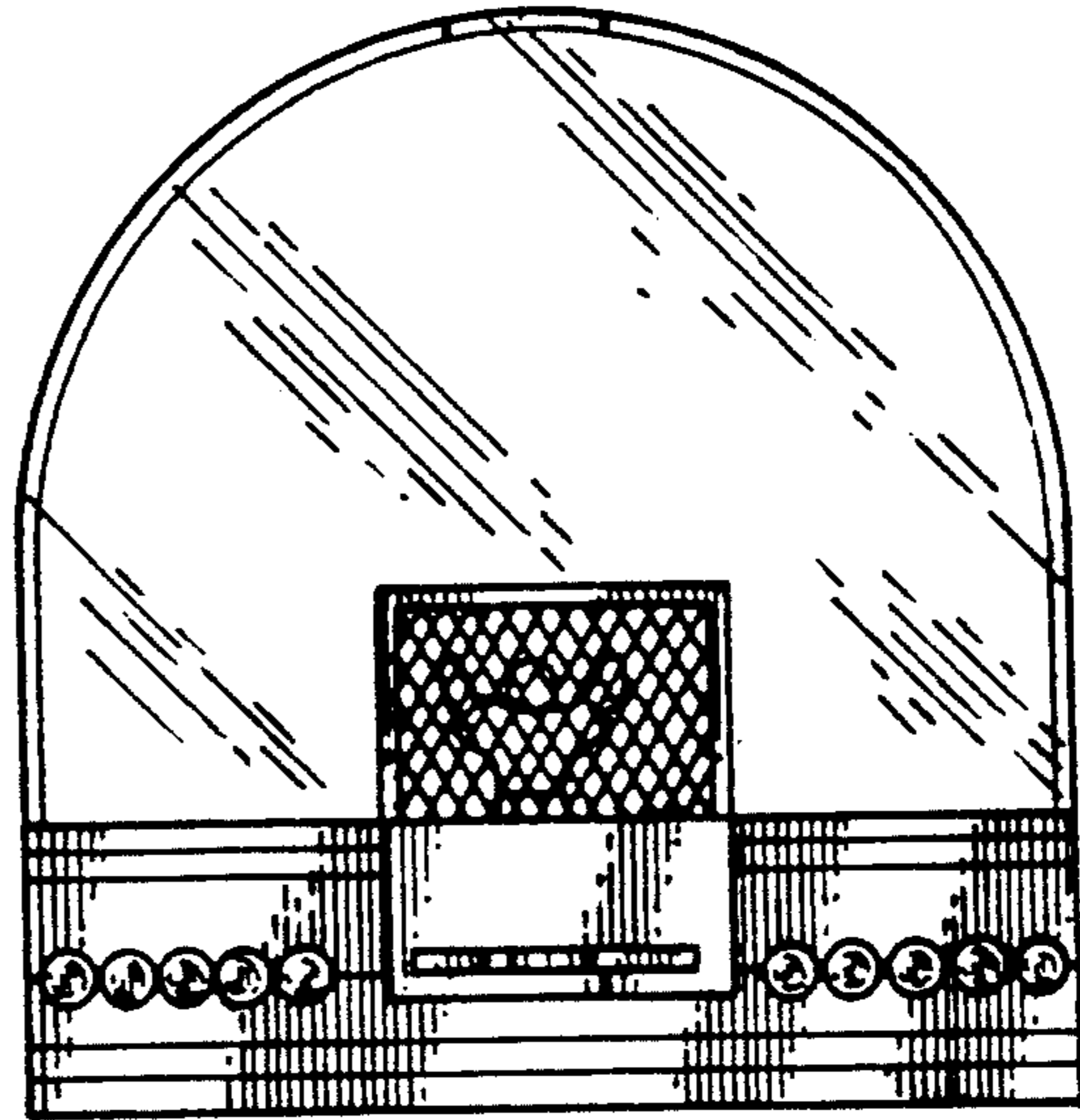
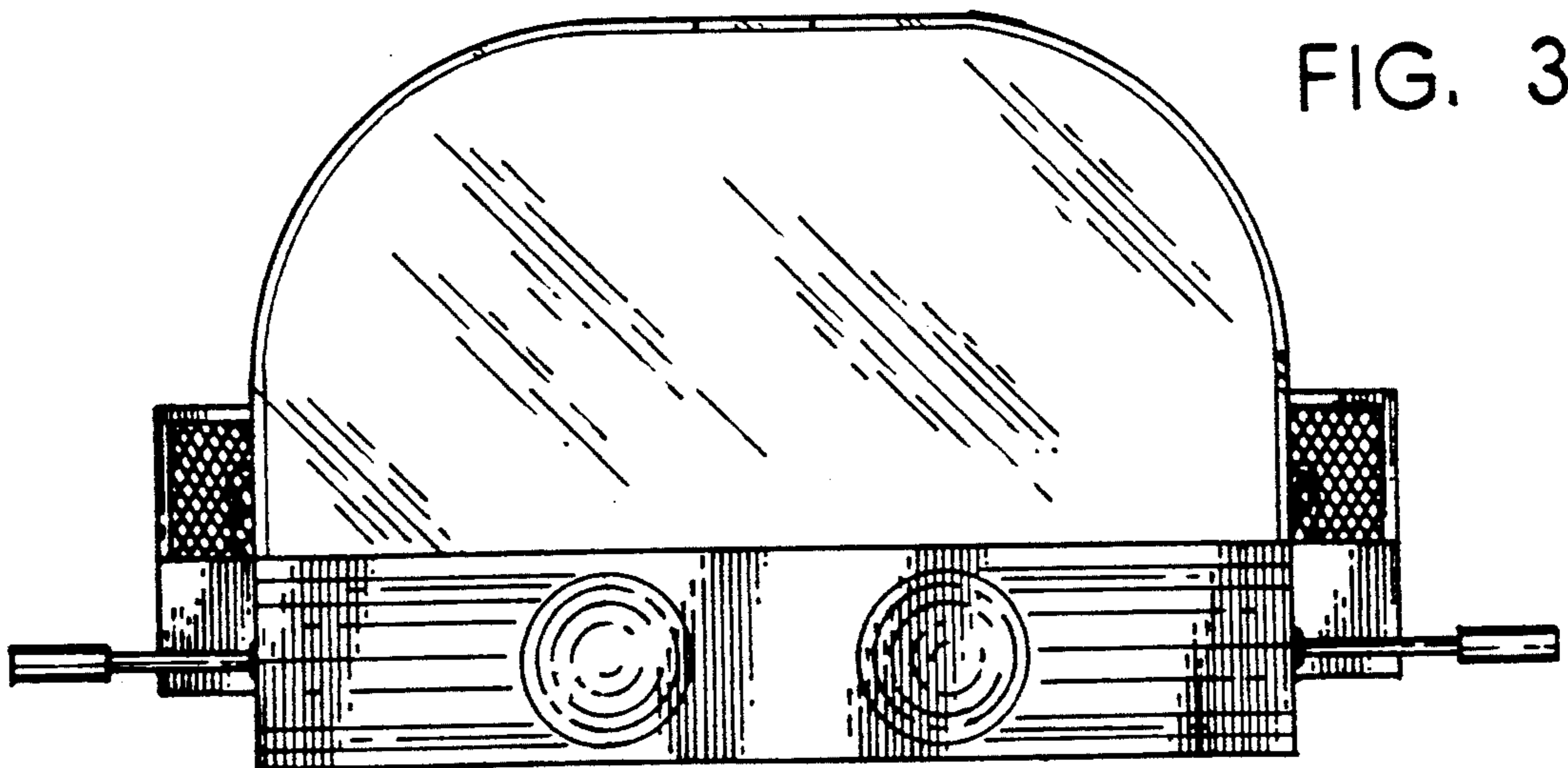


FIG. 3



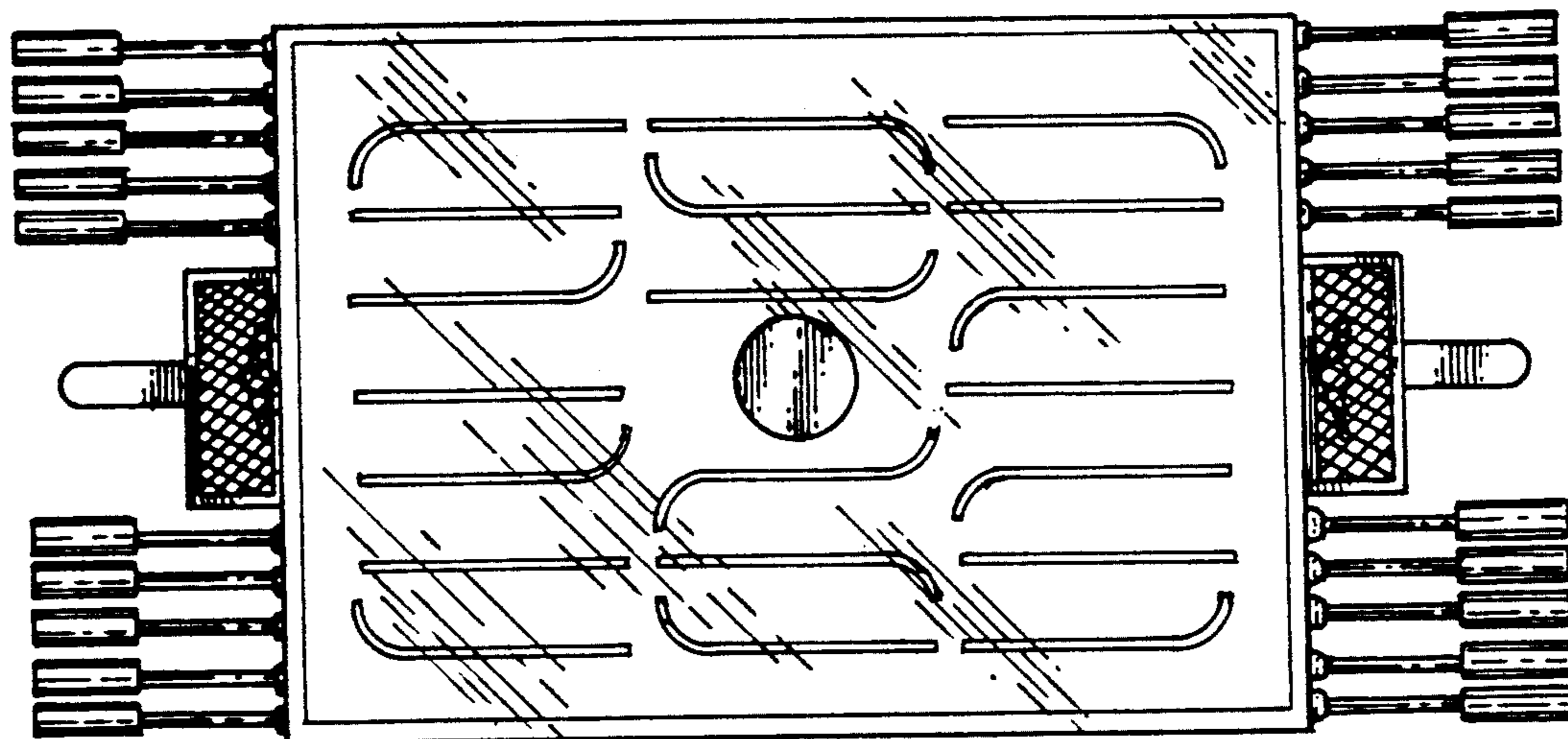


FIG. 4

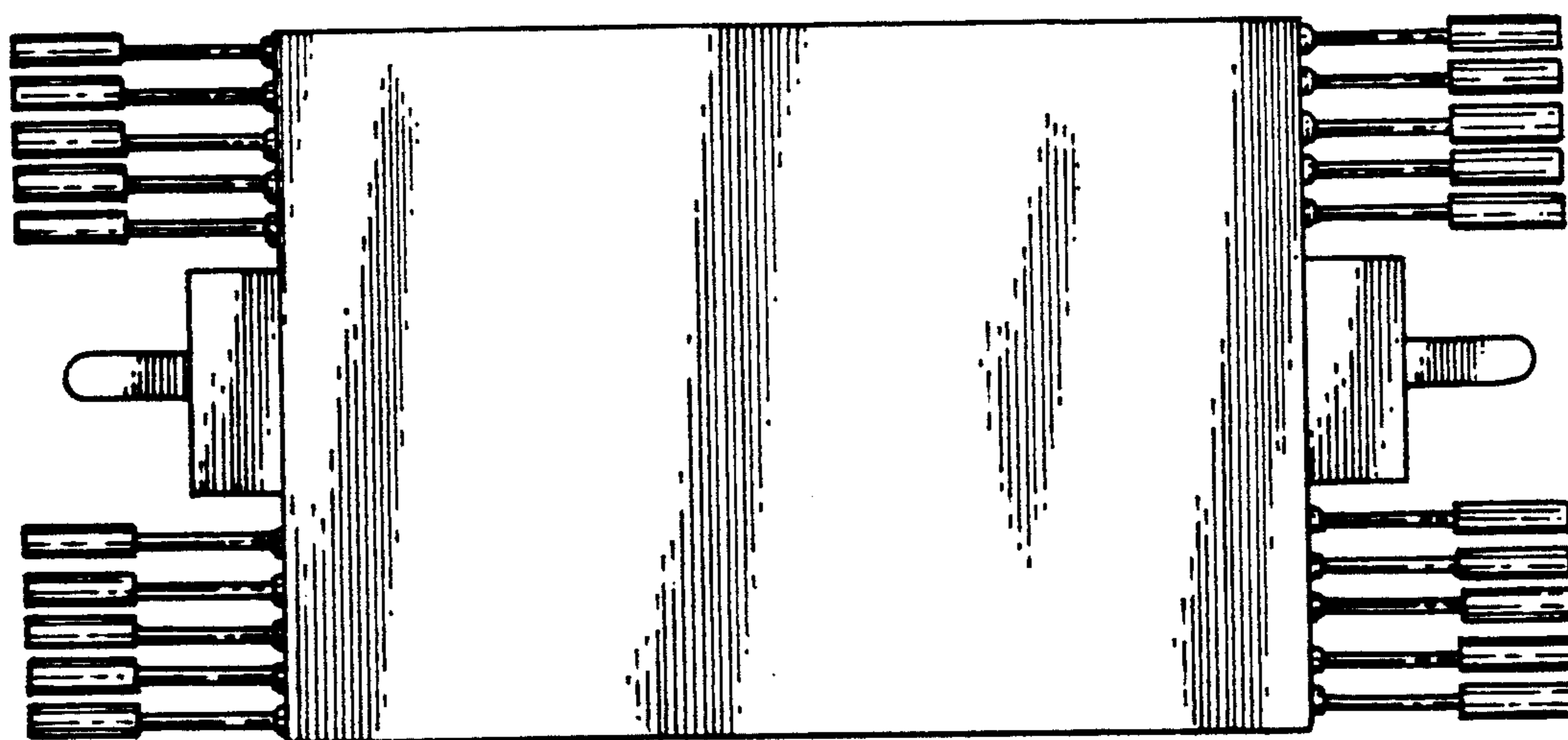


FIG. 5