



US00D346181S

# United States Patent [19]

[11] Patent Number: **Des. 346,181**

Blake

[45] Date of Patent: **\*\* Apr. 19, 1994**

[54] **TAPE DISPENSER CAROUSEL**

[76] Inventor: **Kenneth R. Blake**, 9641 Thomas Ave.  
N., Brooklyn Park, Minn. 55444

[\*\*] Term: **14 Years**

[21] Appl. No.: **1,075**

[22] Filed: **Nov. 2, 1992**

[52] U.S. Cl. .... **D19/67; D19/69;  
D19/65**

[58] Field of Search ..... **D6/457, 569; 225/37,  
225/38, 34, 97, 21, 77; D19/65, 67, 68, 69, 99,  
100**

410,175 9/1889 McAlister ..... 225/34  
 688,887 12/1901 Schottenfels ..... 225/38  
 961,637 6/1910 Newton ..... 225/38 X  
 2,630,981 3/1953 Strocco ..... 225/38  
 2,923,451 2/1960 Hokerk ..... 225/37  
 4,141,479 2/1979 Dennison ..... 225/38  
 4,624,398 11/1986 Girardi et al. .... 225/21  
 4,757,956 7/1988 McGuire ..... 225/37

*Primary Examiner*—Nelson C. Holtje  
*Assistant Examiner*—Martie Thompson

[56] **References Cited**

**U.S. PATENT DOCUMENTS**

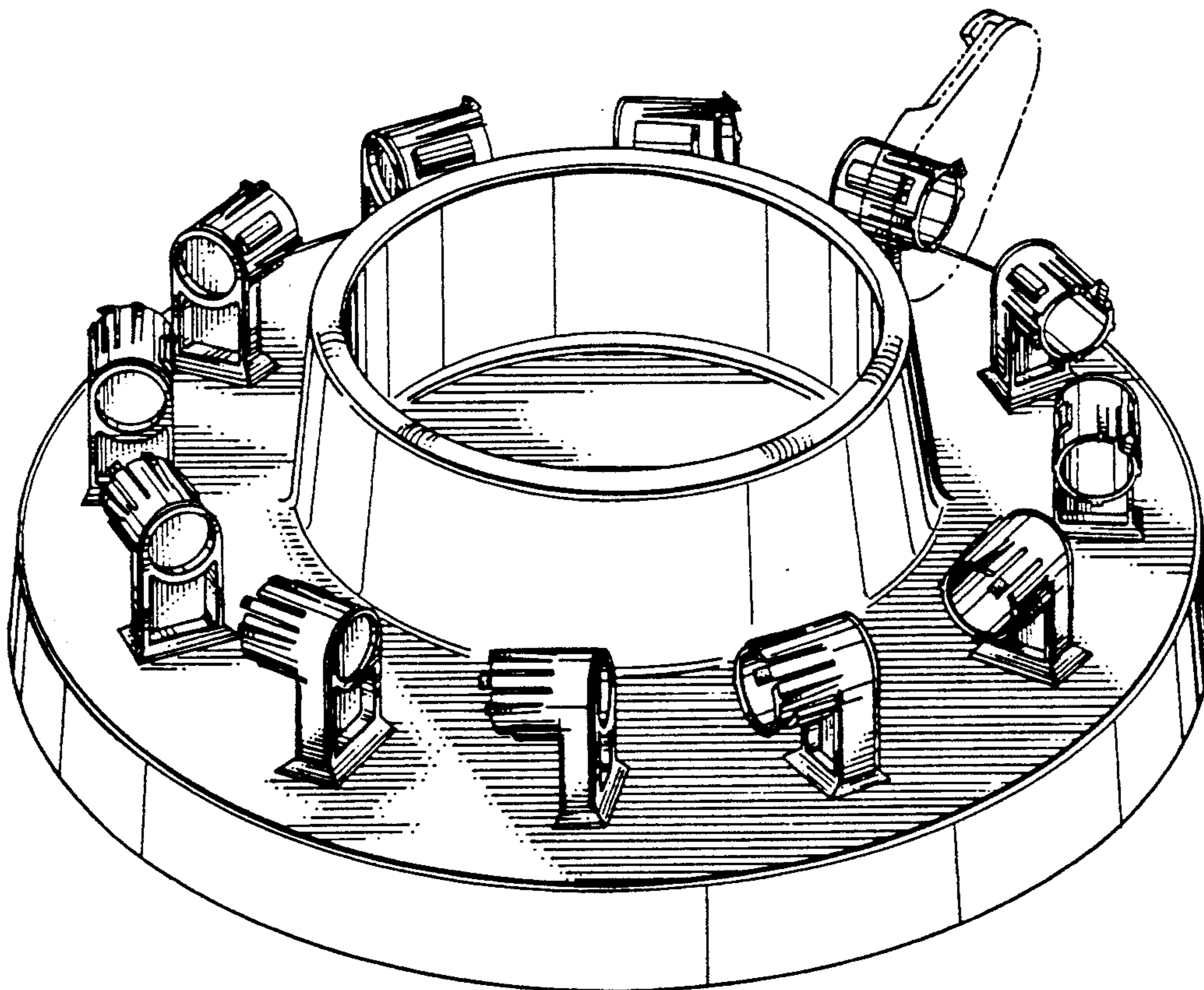
D. 222,677 11/1971 Nevai ..... D6/569  
 D. 283,789 5/1986 Kodousek et al. .... D19/67 X  
 D. 318,492 7/1991 Scanlan et al. .... D19/69

[57] **CLAIM**

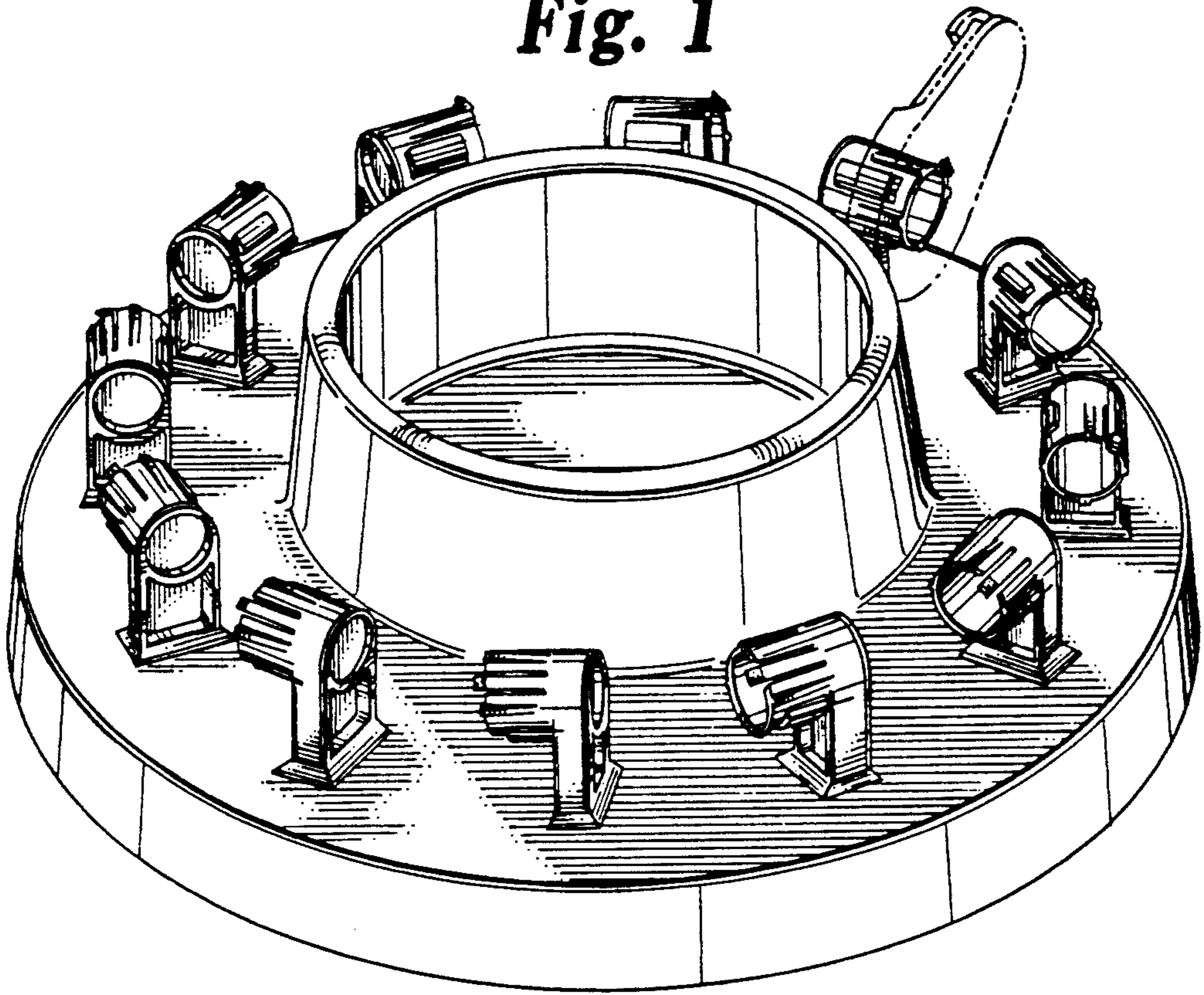
The ornamental design for a tape dispenser carousel, as shown and described.

### DESCRIPTION

FIG. 1 is a top perspective view of a tape dispenser carousel, the tape dispenser being shown in phantom, showing my new design; and, FIG. 2 is a bottom perspective view thereof.



*Fig. 1*



*Fig. 2*

