



US00D346179S

United States Patent [19]

[11] Patent Number: **Des. 346,179**

Haida

[45] Date of Patent: **** Apr. 19, 1994**

[54] **TONER CARTRIDGE FOR PRINTER**

5,229,824 7/1993 Tsusaka et al. 355/260

[75] Inventor: **Kazuo Haida, Tokyo, Japan**

FOREIGN PATENT DOCUMENTS

[73] Assignee: **Kyocera Corporation, Kyoto, Japan**

0243978 10/1988 Japan 355/260

[**] Term: **14 Years**

0081977 3/1989 Japan 355/260

[21] Appl. No.: **950,038**

0210583 9/1991 Japan 355/260

[22] Filed: **Sep. 23, 1992**

4018578 1/1992 Japan 355/260

4181967 6/1992 Japan 355/260

[30] **Foreign Application Priority Data**

Mar. 30, 1992 [JP] Japan 4-9429

Primary Examiner—A. Hugo Word

Assistant Examiner—Cathy Anne MacCormac

Attorney, Agent, or Firm—Spensley Horn Jubas

Lubitz

[52] U.S. Cl. **D18/56; D18/43**

[58] Field of Search 222/DIG. 1; 355/260;
206/462; D18/12, 40, 43, 56

[57] CLAIM

The ornamental design for a toner cartridge for printer, as shown and described.

[56] **References Cited**

U.S. PATENT DOCUMENTS

D. 289,300	4/1987	Saito	D18/43
D. 298,257	10/1988	Masaki	D18/43
D. 298,258	10/1988	Masaki	D18/43
D. 309,752	8/1990	Miyoshi	D18/43
D. 312,271	11/1990	Komada et al.	D18/43
D. 319,842	9/1991	Tanda	D18/56
D. 331,773	12/1992	Shibata	D18/40
D. 333,833	3/1993	Yamamoto et al.	D18/43
D. 334,771	4/1993	Adachi et al.	D18/43
4,895,104	1/1990	Yoshino et al.	222/DIG. 1

DESCRIPTION

FIG. 1 is a top perspective view of the toner cartridge for printer;
FIG. 2 is a front elevational view thereof;
FIG. 3 is a rear elevational view thereof;
FIG. 4 is a right side elevational view thereof;
FIG. 5 is a top plan view thereof;
FIG. 6 is a bottom plan view thereof; and,
FIG. 7 is a bottom plan view with a sliding floor of the cartridge shown in an extended position.

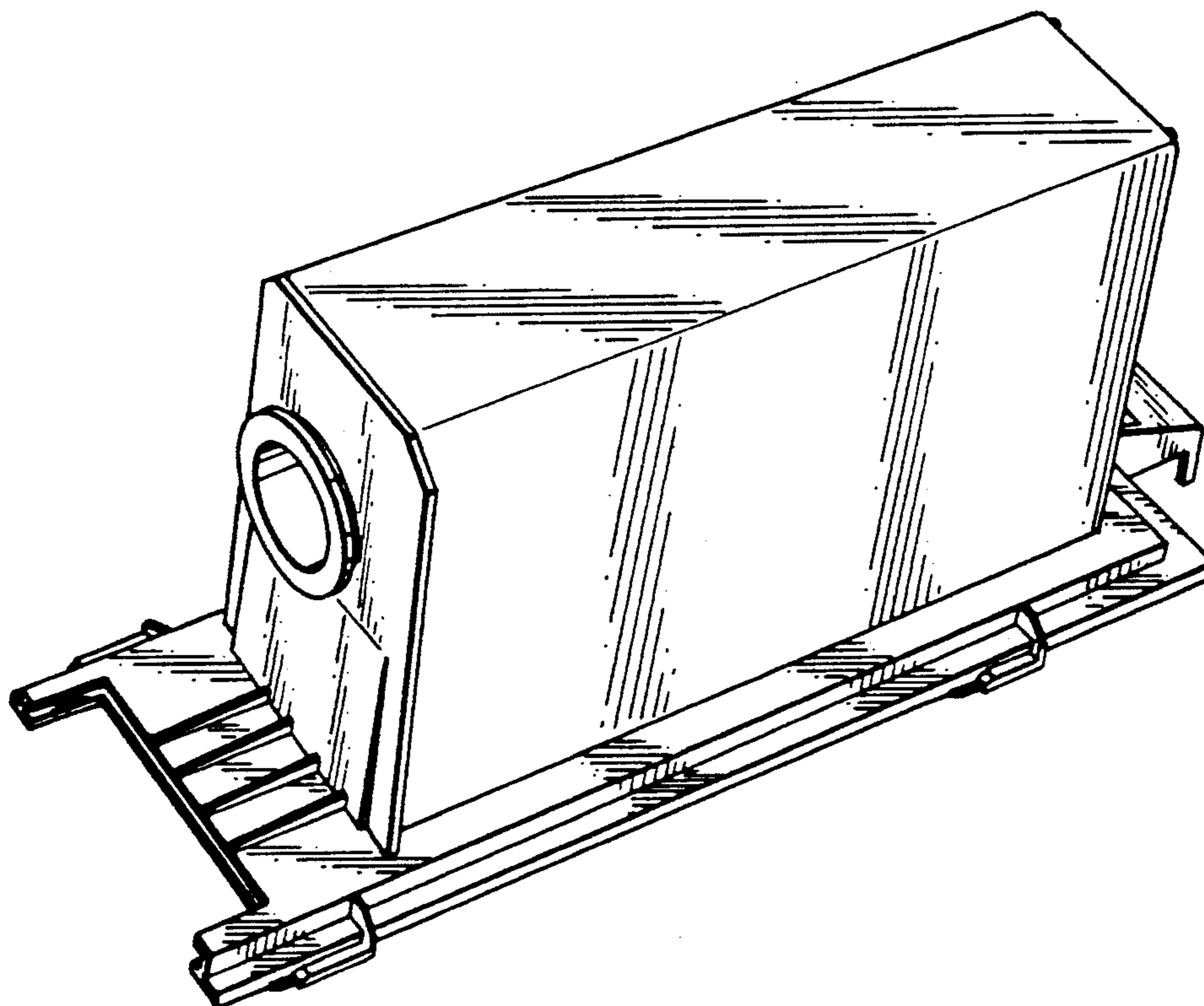


Fig. 1

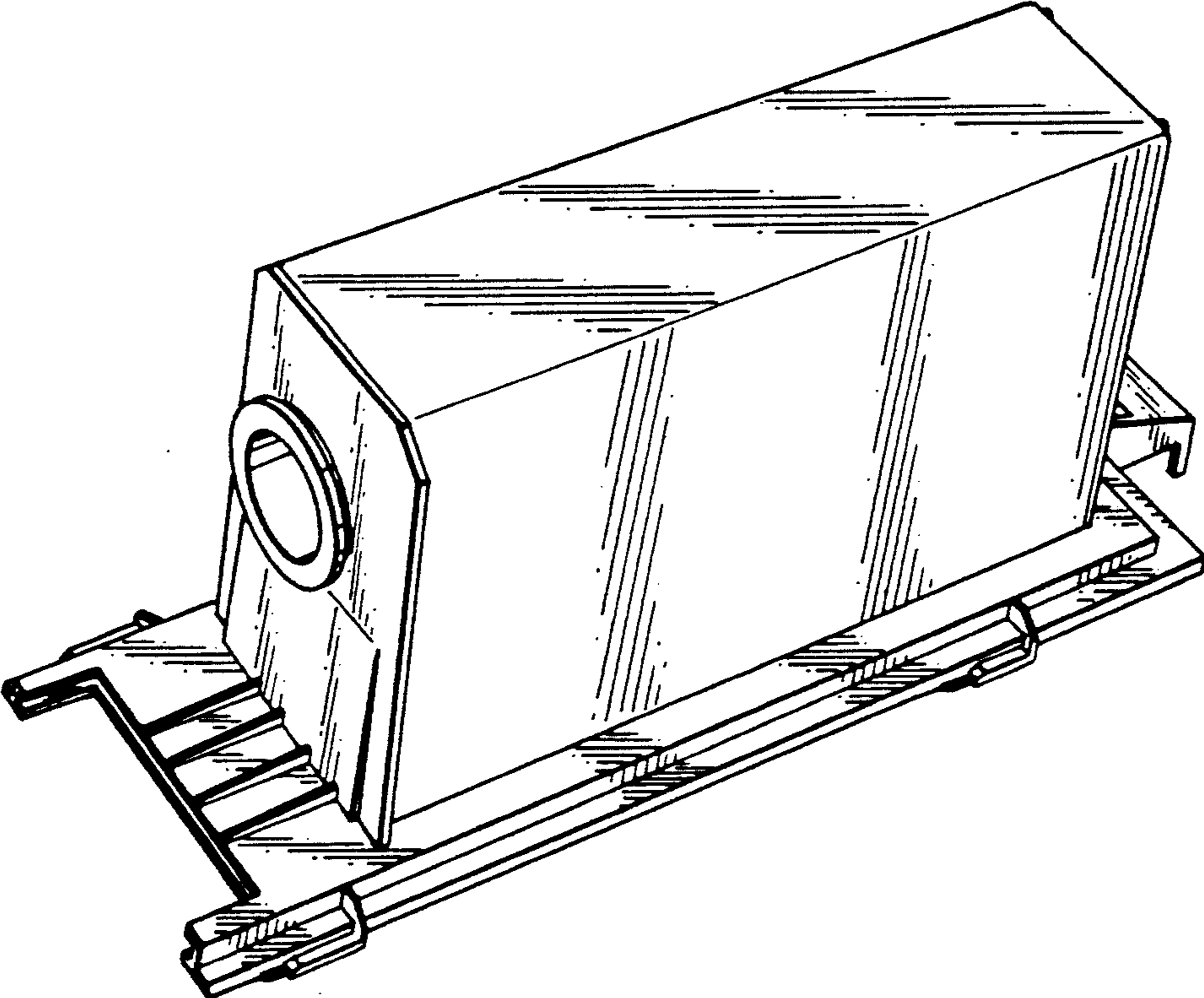


Fig. 2

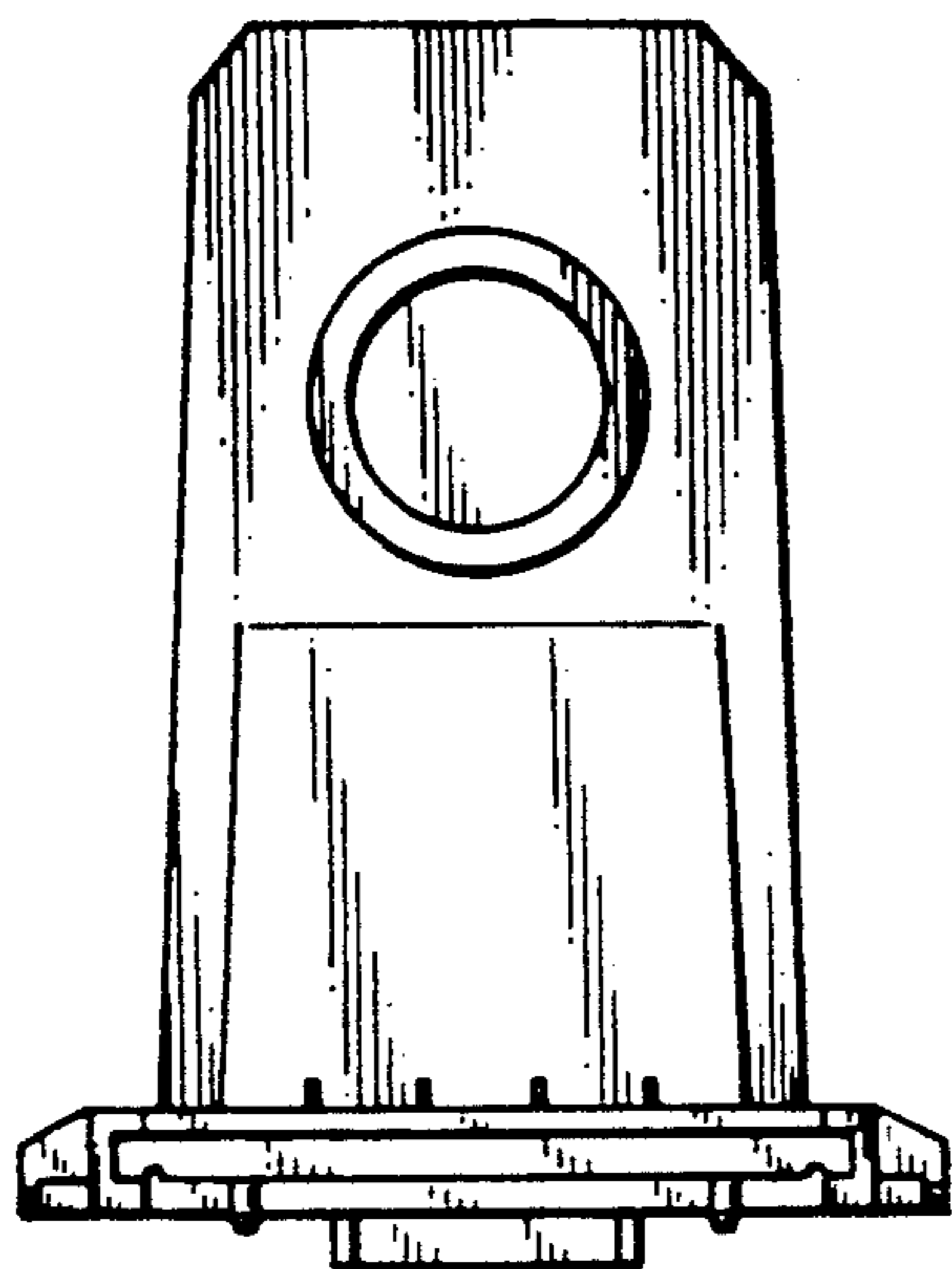


Fig. 3

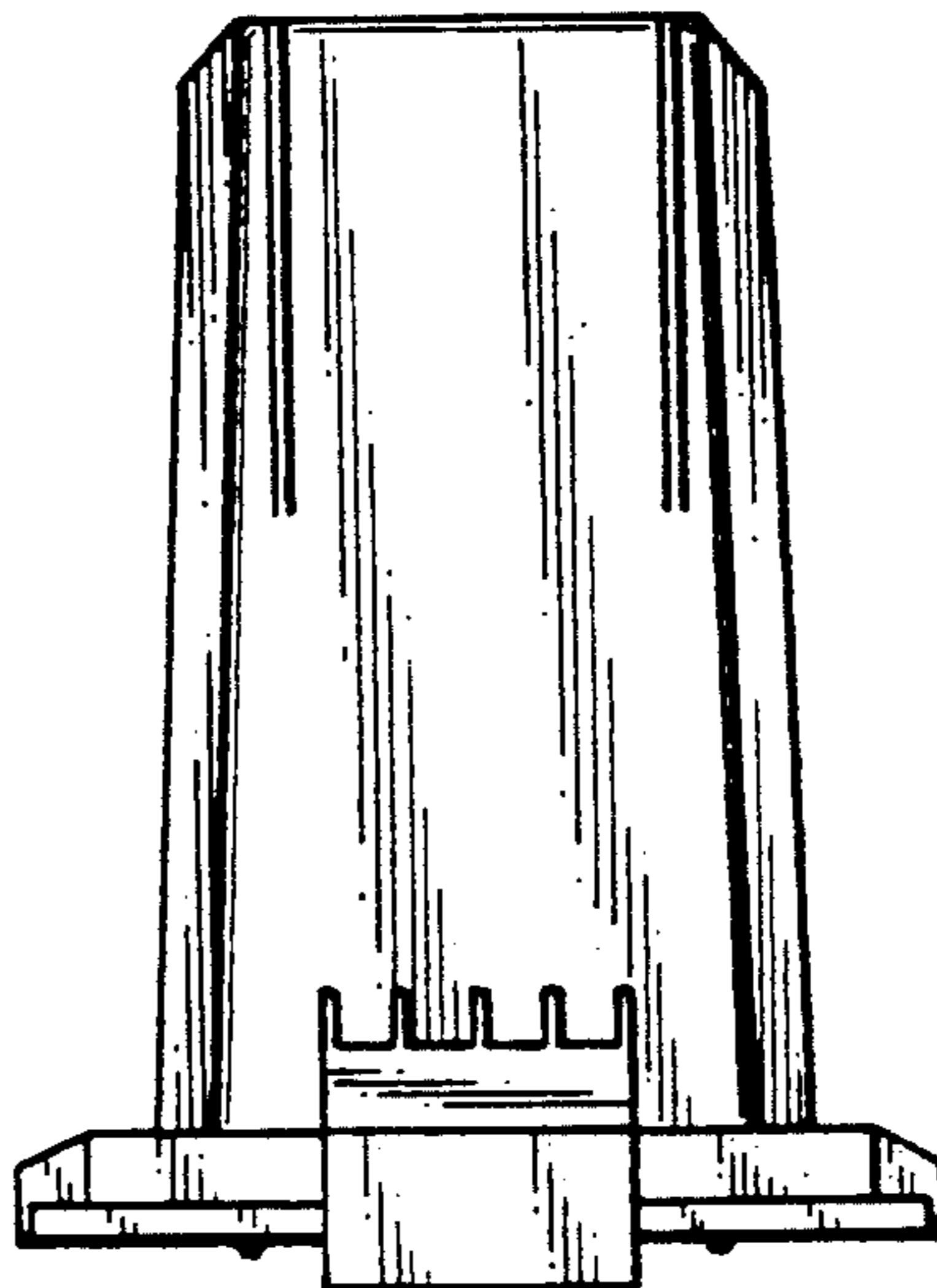


Fig. 4

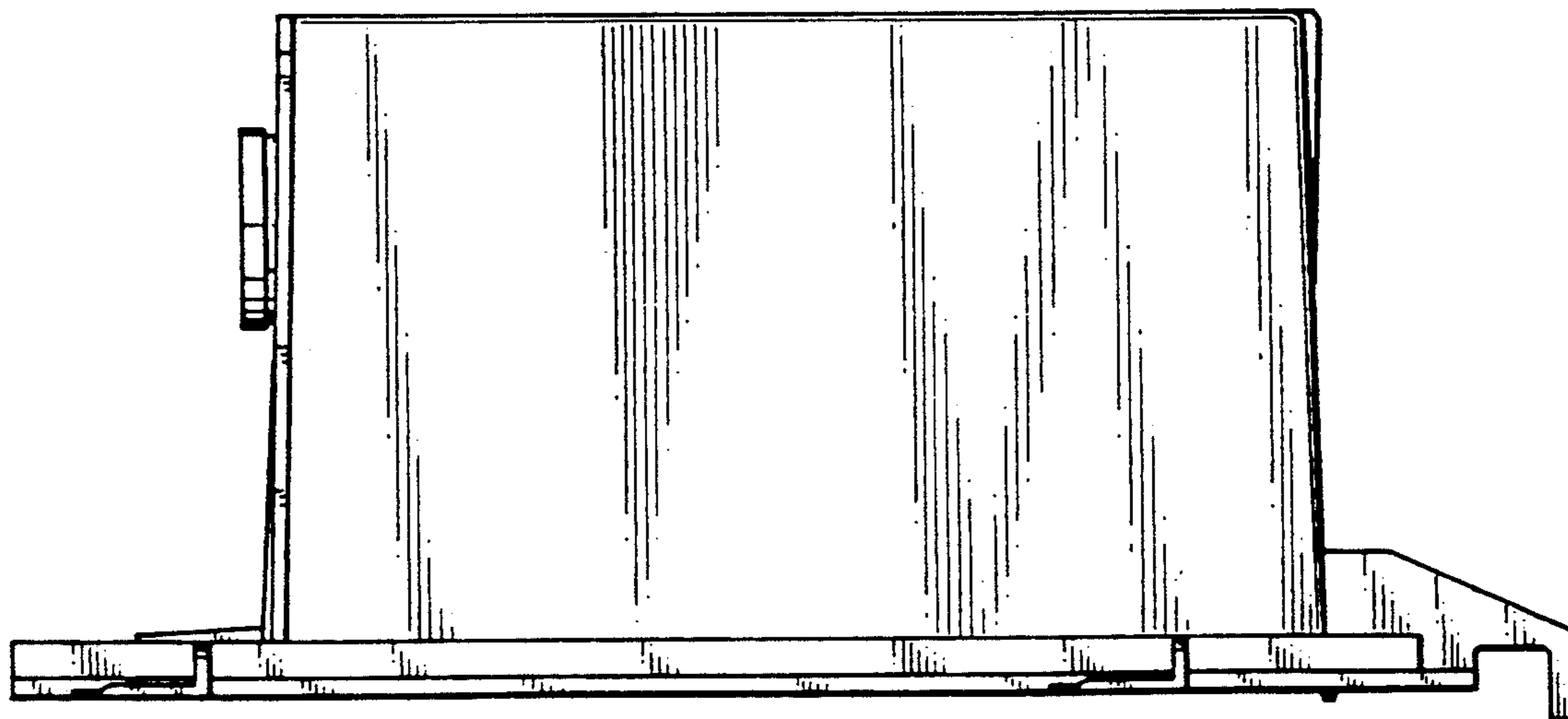


Fig. 5

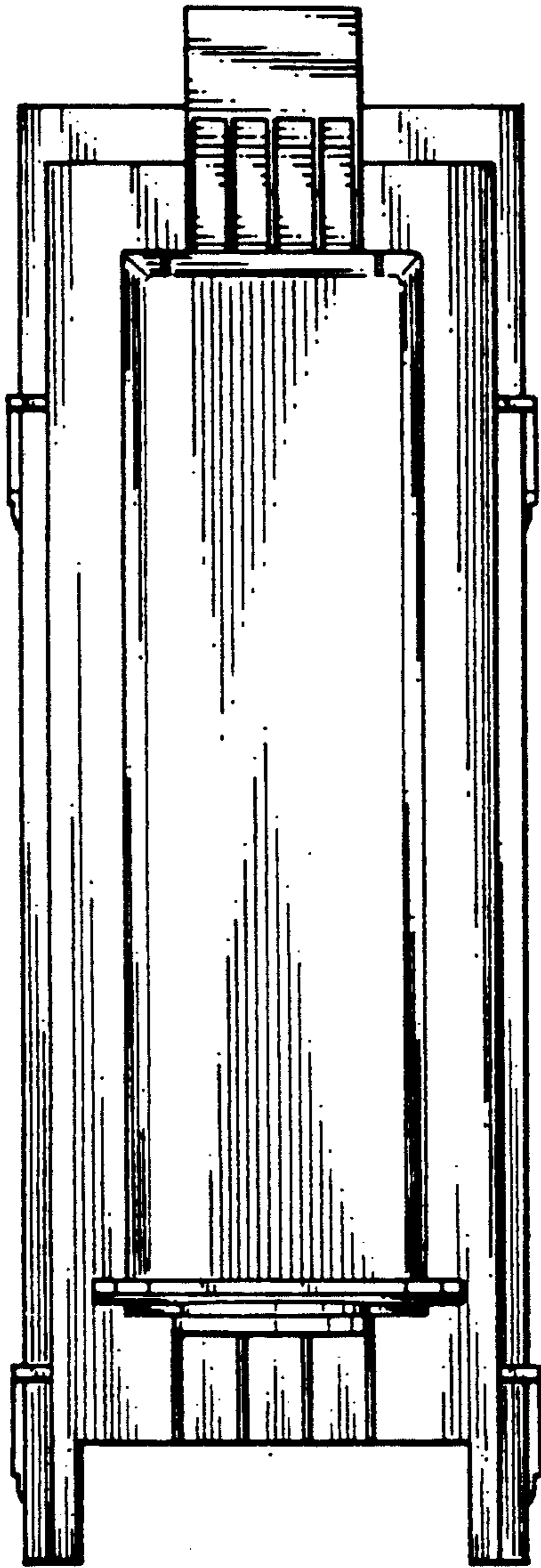


Fig. 6

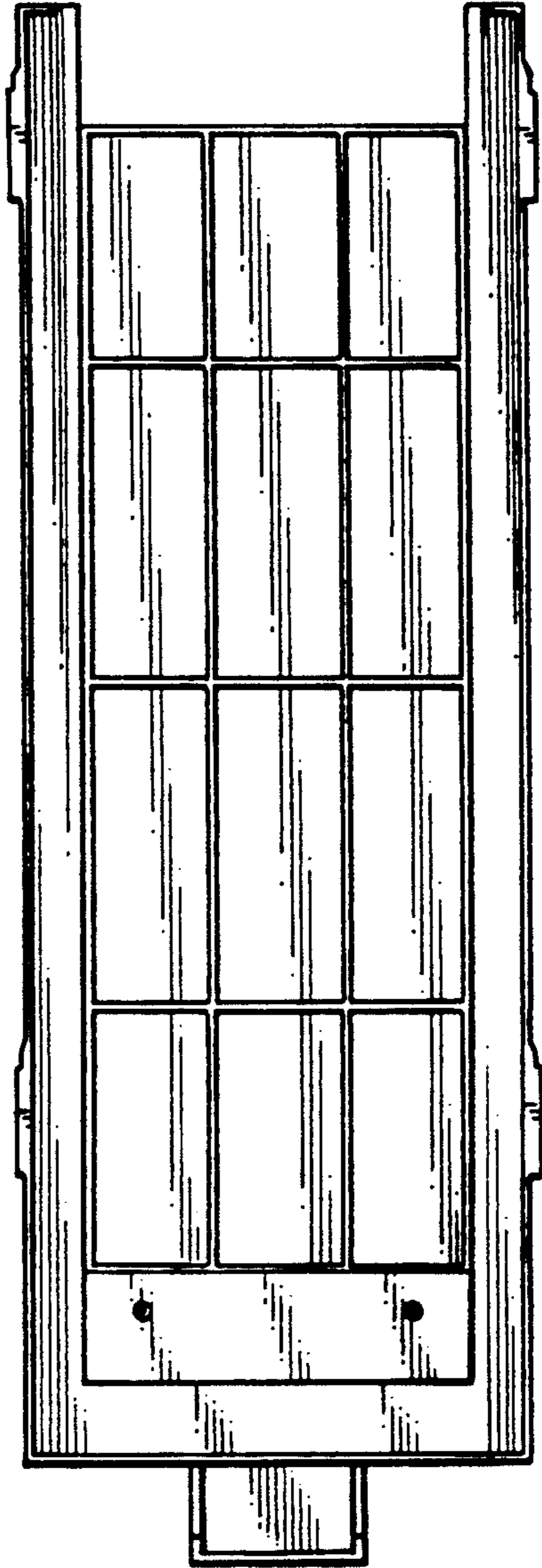


Fig. 7

