



US00D346175S

United States Patent [19]

[11] Patent Number: **Des. 346,175**

Chan

[45] Date of Patent: **** Apr. 19, 1994**

[54] **PAIR OF BINOCULARS**

[76] Inventor: **Kwong-Chi Chan**, Flat A, 7th Floor,
Manning Industrial Building, 118
How Ming Street, Kwun Tong,
Kowloon, Hong Kong

3,604,779	9/1971	Reinhold	D16/133 X
4,186,992	2/1980	Kamakura	359/416
4,329,013	5/1982	Hengst	359/418
4,346,960	8/1982	Lehrmund et al.	359/408 X

[**] Term: **14 Years**

Primary Examiner—A. Hugo Word
Assistant Examiner—Doris V. Coles
Attorney, Agent, or Firm—Leydig, Voit & Mayer

[21] Appl. No.: **861,421**

[57] **CLAIM**

[22] Filed: **Mar. 31, 1992**

The ornamental design for a pair of binoculars, as shown and described.

[30] **Foreign Application Priority Data**

DESCRIPTION

Nov. 4, 1991 [GB] United Kingdom 2018734

[52] U.S. Cl. **D16/133**

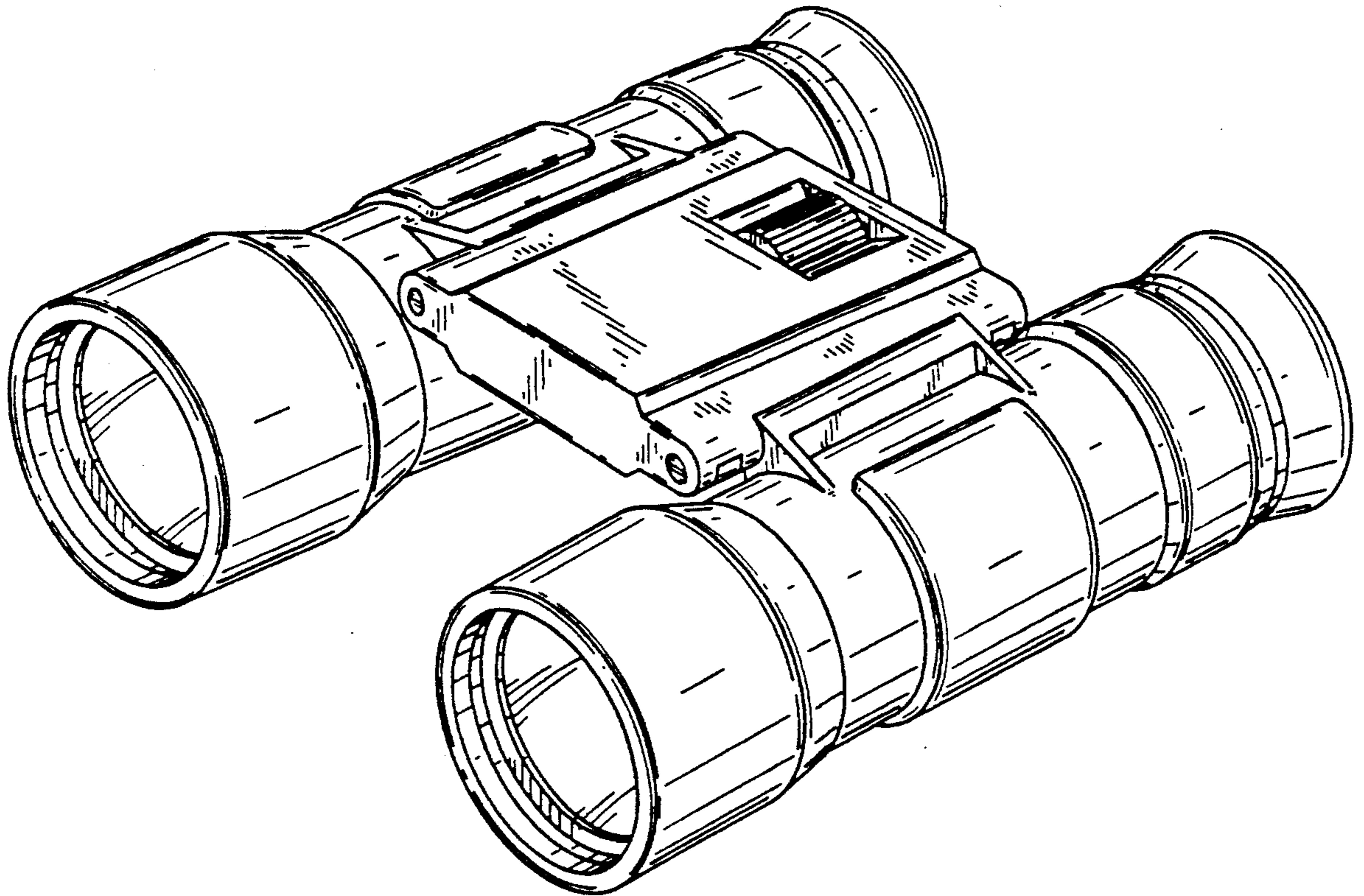
[58] Field of Search 359/408, 410, 411, 413,
359/414, 416, 417, 418, 421, 422, 579, 554, 555,
556; D16/133

FIG. 1 is a front end perspective view of a pair of binoculars showing my new design;
FIG. 2 is a top plan view thereof;
FIG. 3 is a bottom plan view thereof;
FIG. 4 is a front end elevational view thereof;
FIG. 5 is a rear elevational view thereof;
FIG. 6 is a right side elevational view thereof;
FIG. 7 is a left side elevational view thereof; and,
FIG. 8 is a front end perspective view thereof in a fully contracted condition.

[56] **References Cited**

U.S. PATENT DOCUMENTS

D. 272,361 1/1984 Hengst et al. D16/133



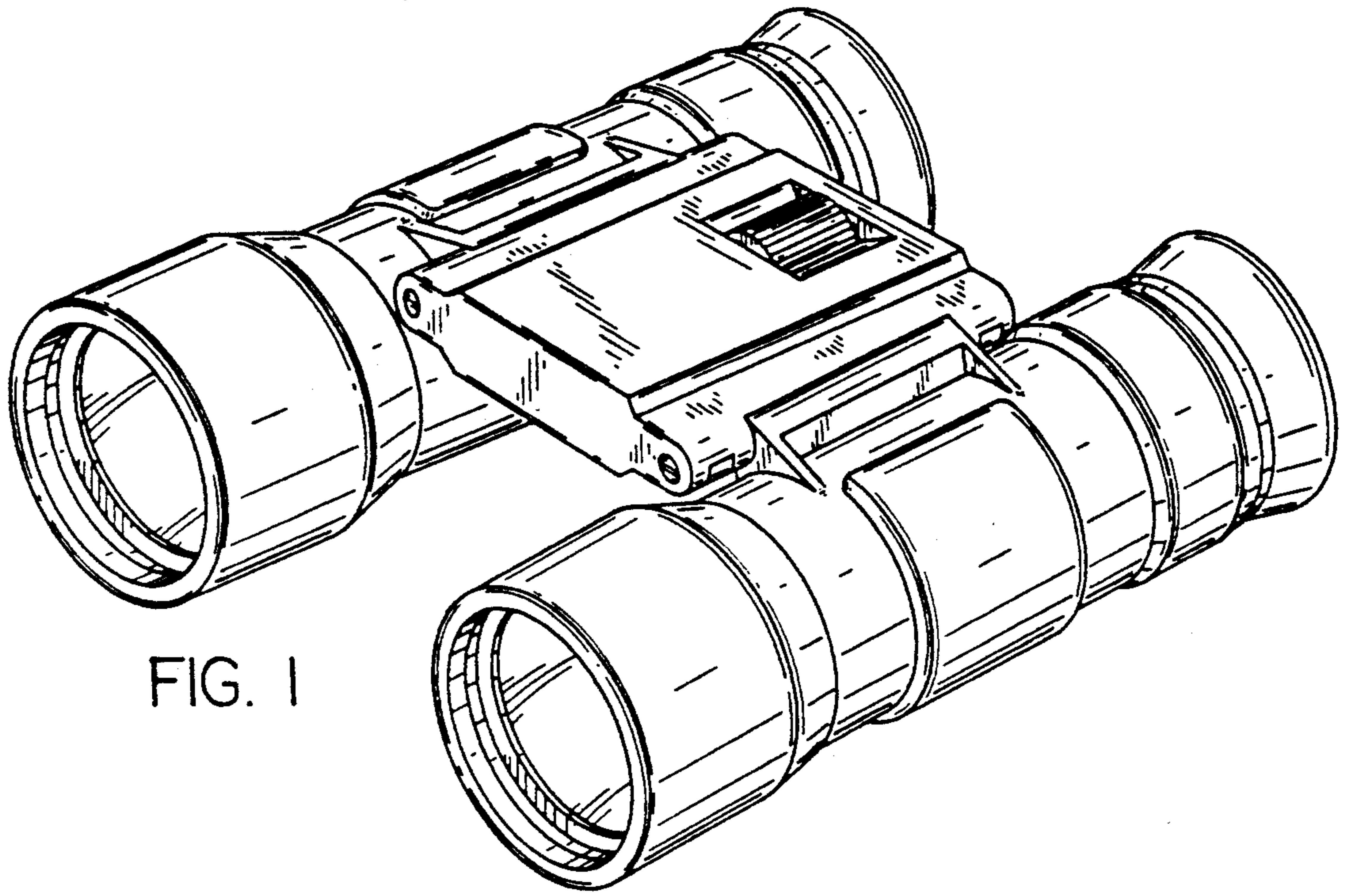


FIG. 1

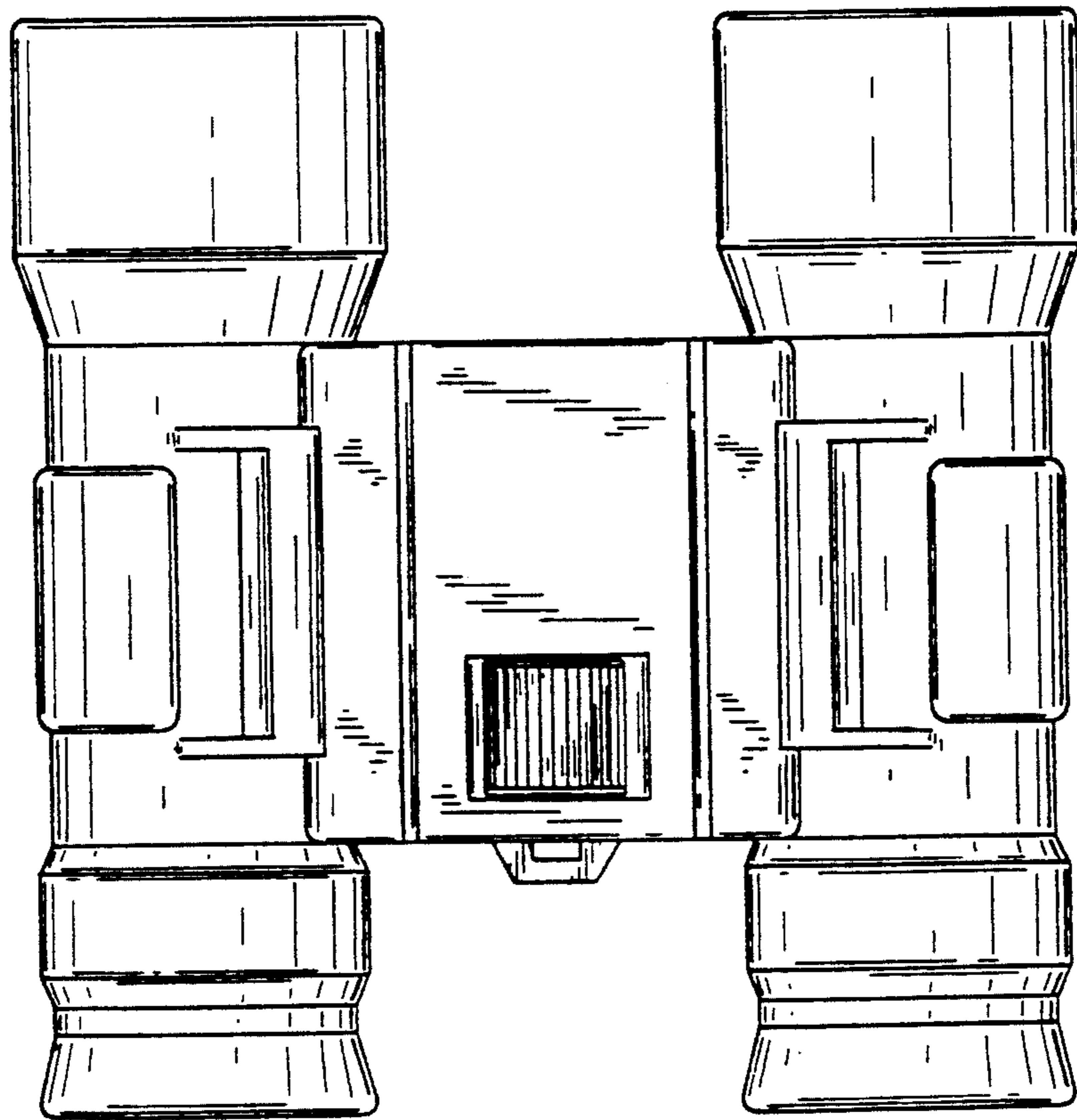


FIG. 2

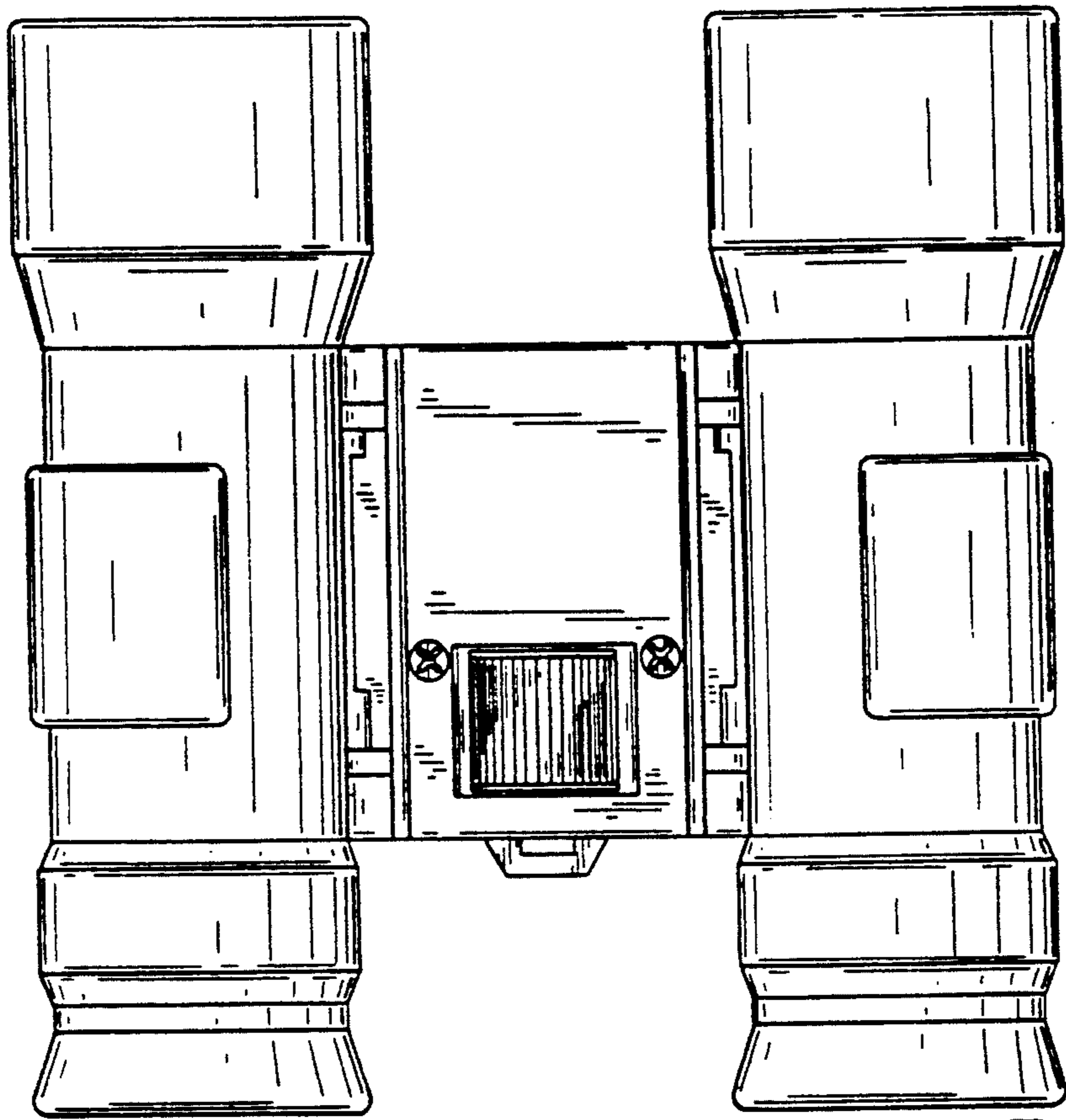


FIG. 3

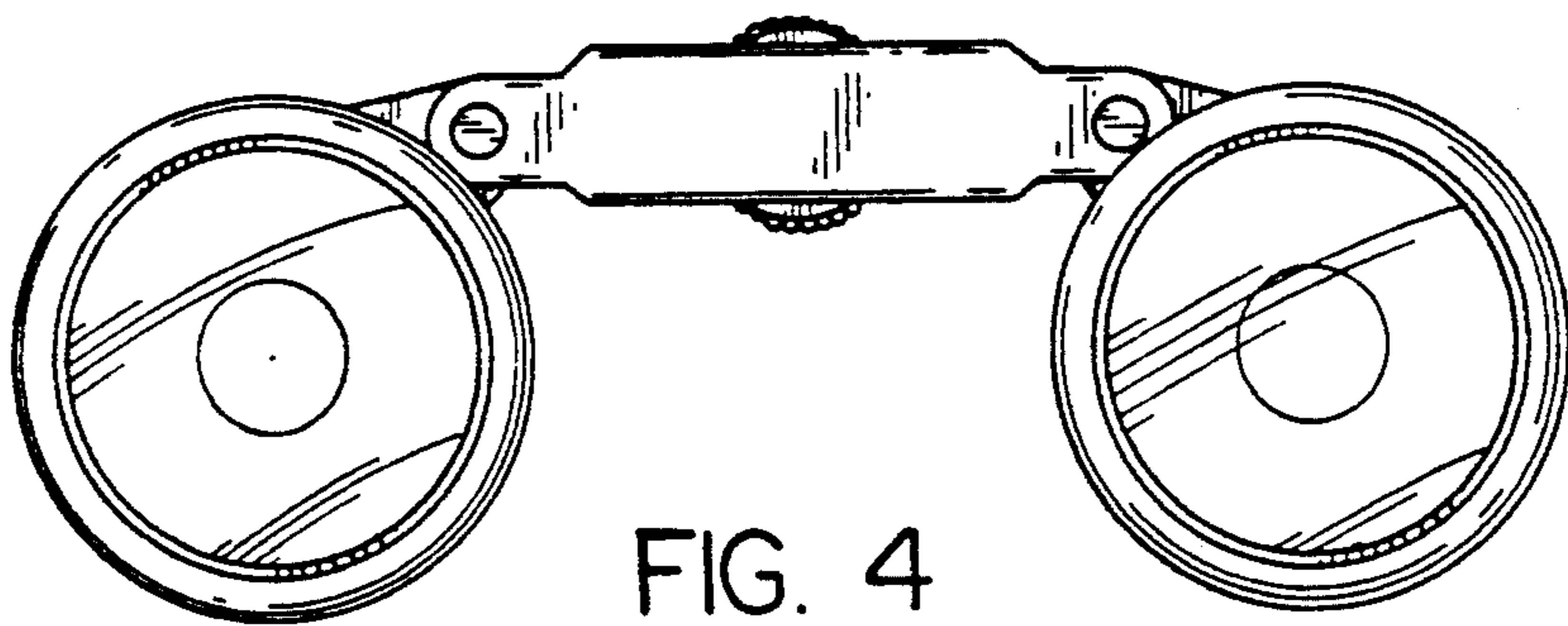


FIG. 4

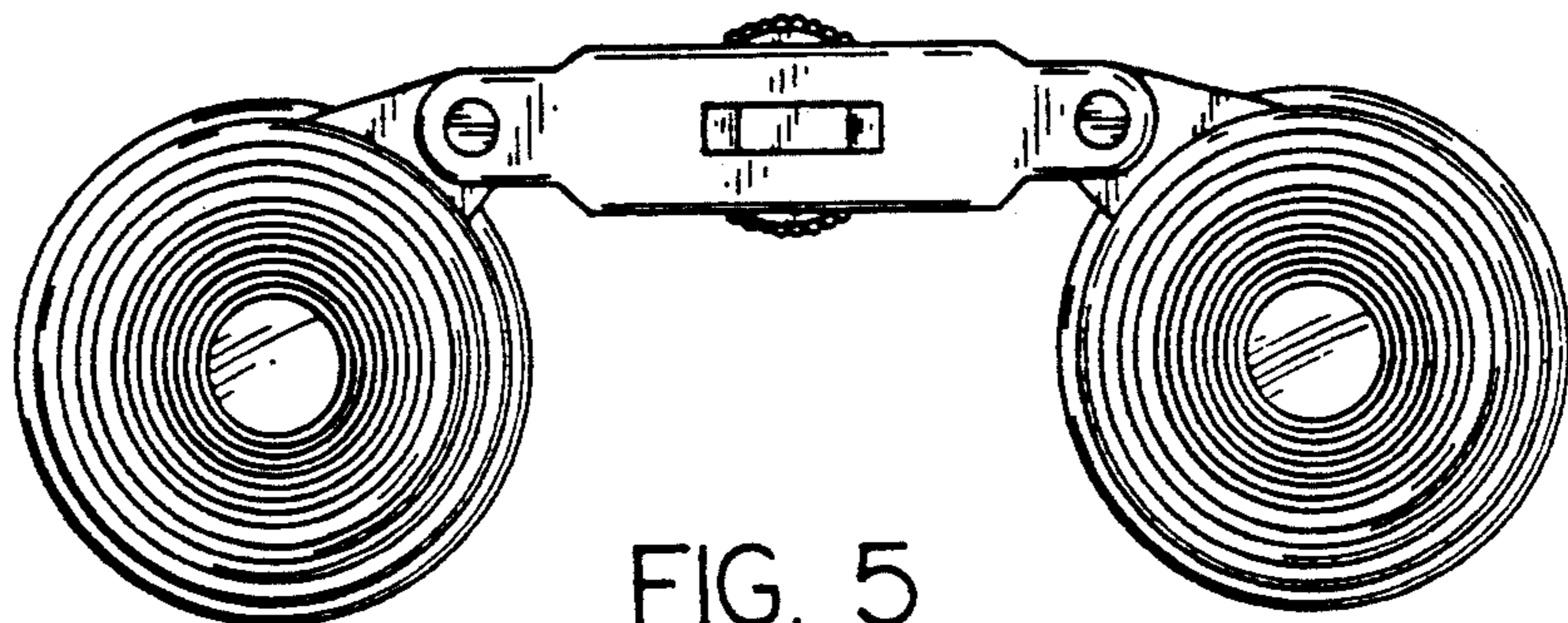


FIG. 5

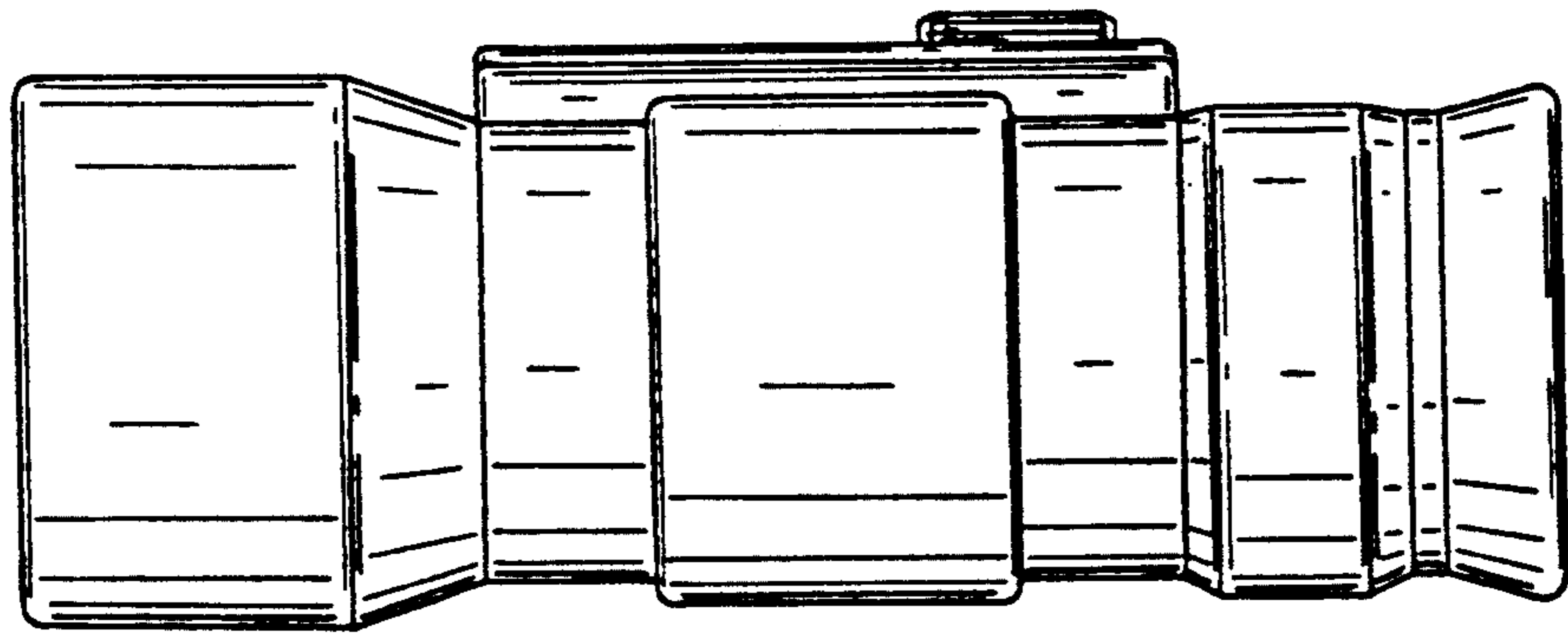


FIG. 6

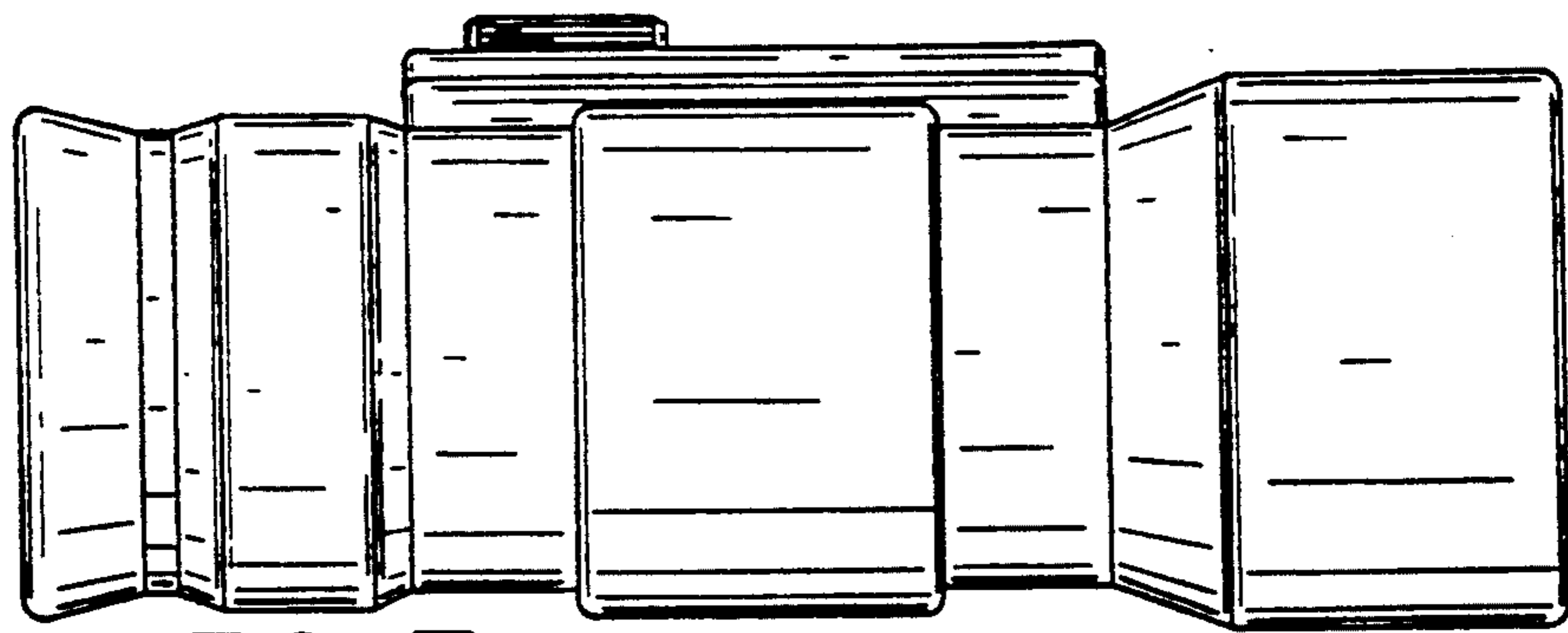


FIG. 7

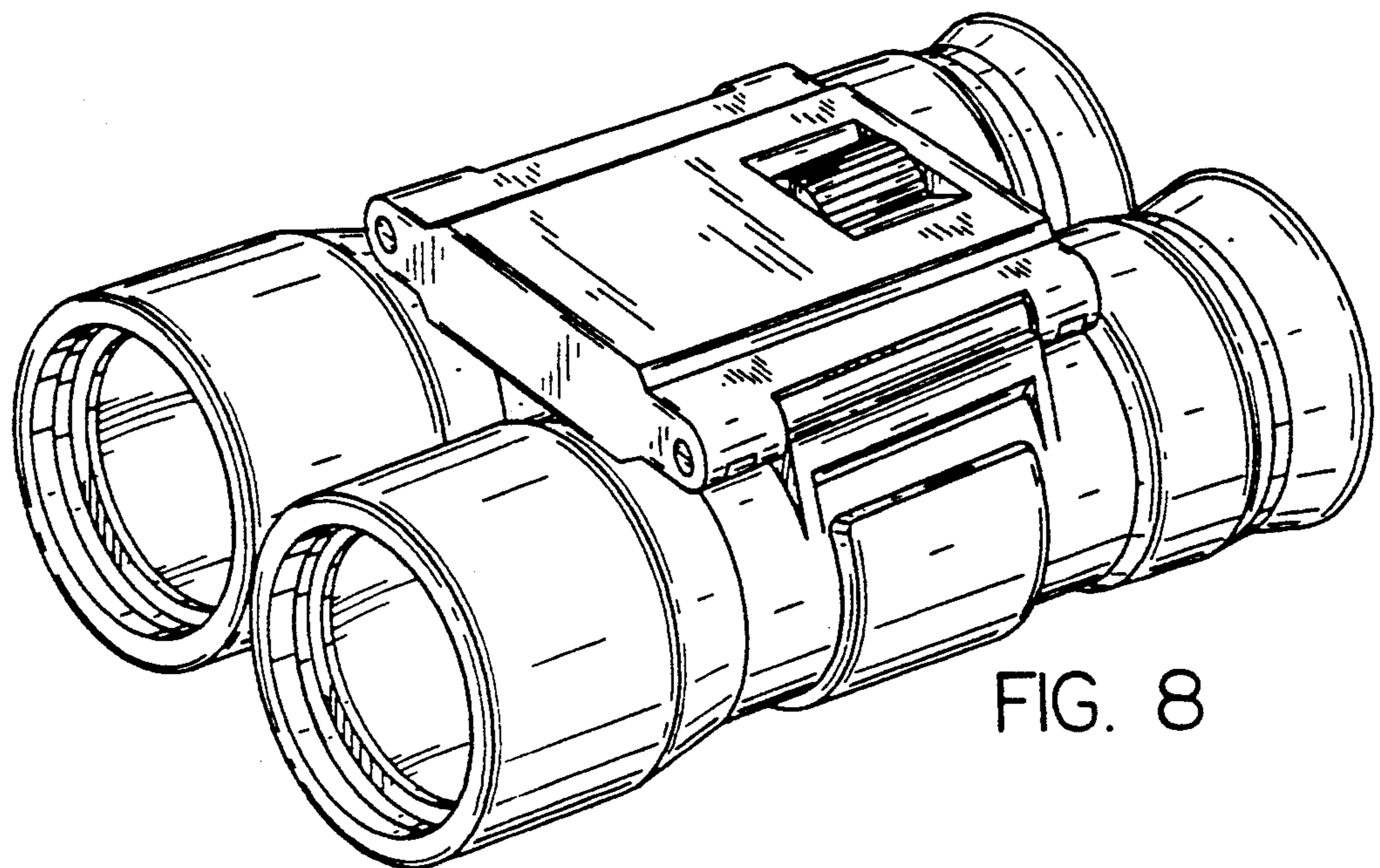


FIG. 8