



US00D346174S

United States Patent [19]

[11] Patent Number: **Des. 346,174**

Stroh

[45] Date of Patent: **** Apr. 19, 1994**

[54] **PUNCH RETAINER**

[75] Inventor: **Werner Stroh, Cincinnati, Ohio**

[73] Assignee: **Porter Precision Products Co., Cincinnati, Ohio**

[**] Term: **14 Years**

[21] Appl. No.: **896,546**

[22] Filed: **Jun. 10, 1992**

[52] U.S. Cl. **D15/140**

[58] Field of Search **83/698; D15/138, 140**

3,640,170	2/1972	Bennett	83/698
3,690,209	9/1972	Gargrave	.	
4,103,574	8/1978	Greer	.	
4,558,620	12/1985	Wallis	.	
5,038,599	8/1991	Wellman	.	

Primary Examiner—Alan P. Douglas
Assistant Examiner—Antoine D. Davis
Attorney, Agent, or Firm—Wood, Herron & Evans

[57] **CLAIM**

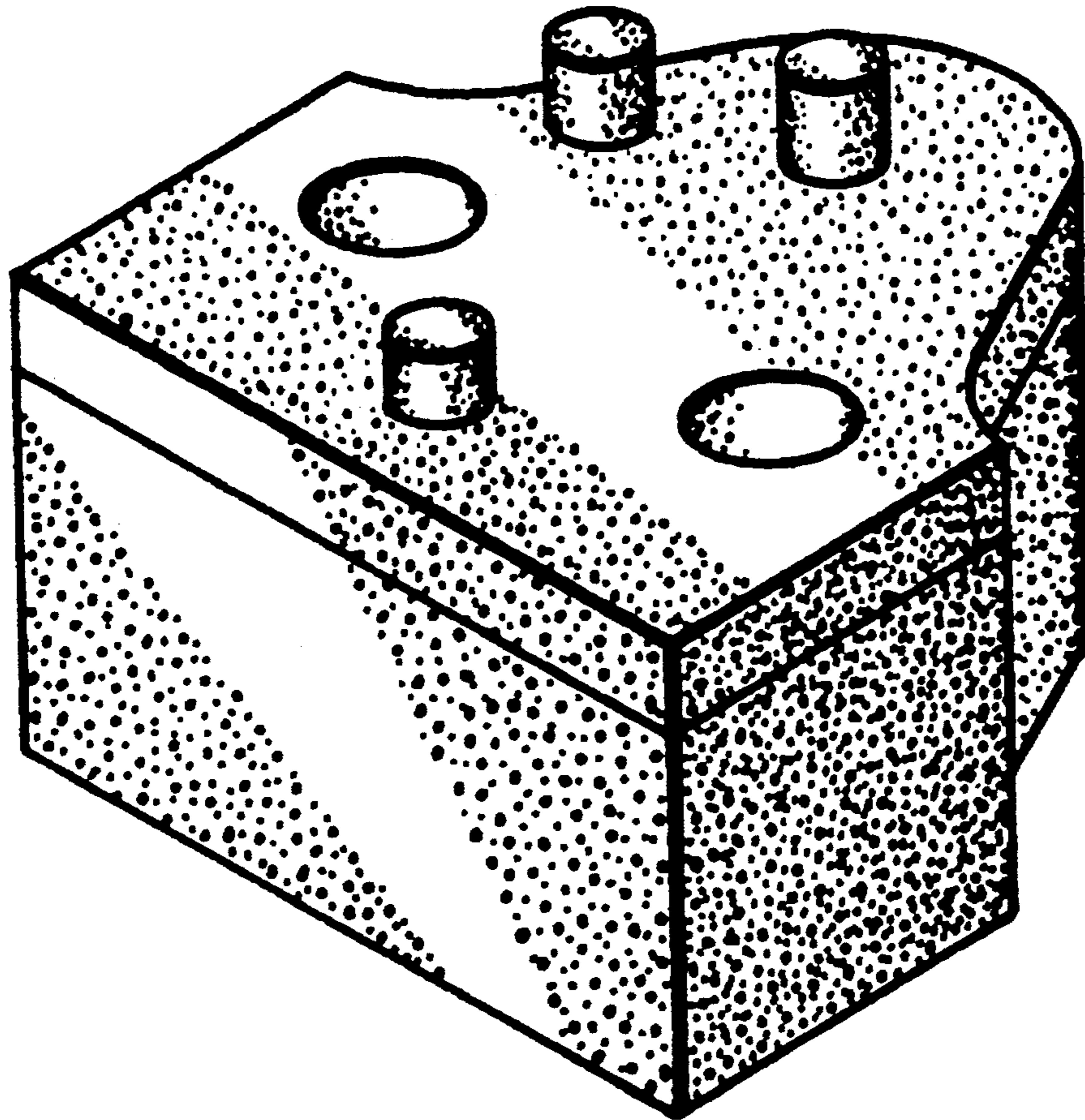
The ornamental design for a punch retainer, as shown and described.

DESCRIPTION

FIG. 1 is a perspective view of a punch retainer showing my new design;
FIG. 2 is a top view of the punch retainer;
FIG. 3 is a side view of the punch retainer, the other side being a mirror image thereof;
FIG. 4 is a back view of the punch retainer;
FIG. 5 is a front view of the punch retainer; and,
FIG. 6 is a bottom view of the punch retainer.

[56] **References Cited**
U.S. PATENT DOCUMENTS

- D. 218,910 10/1970 Gargrave .
- 1,910,296 5/1933 King .
- 2,107,581 2/1938 Parsons et al. .
- 2,154,738 4/1939 Fisher .
- 2,920,913 1/1960 Antila .
- 3,103,845 9/1963 Porter et al. .
- 3,563,124 2/1971 Gargrave .



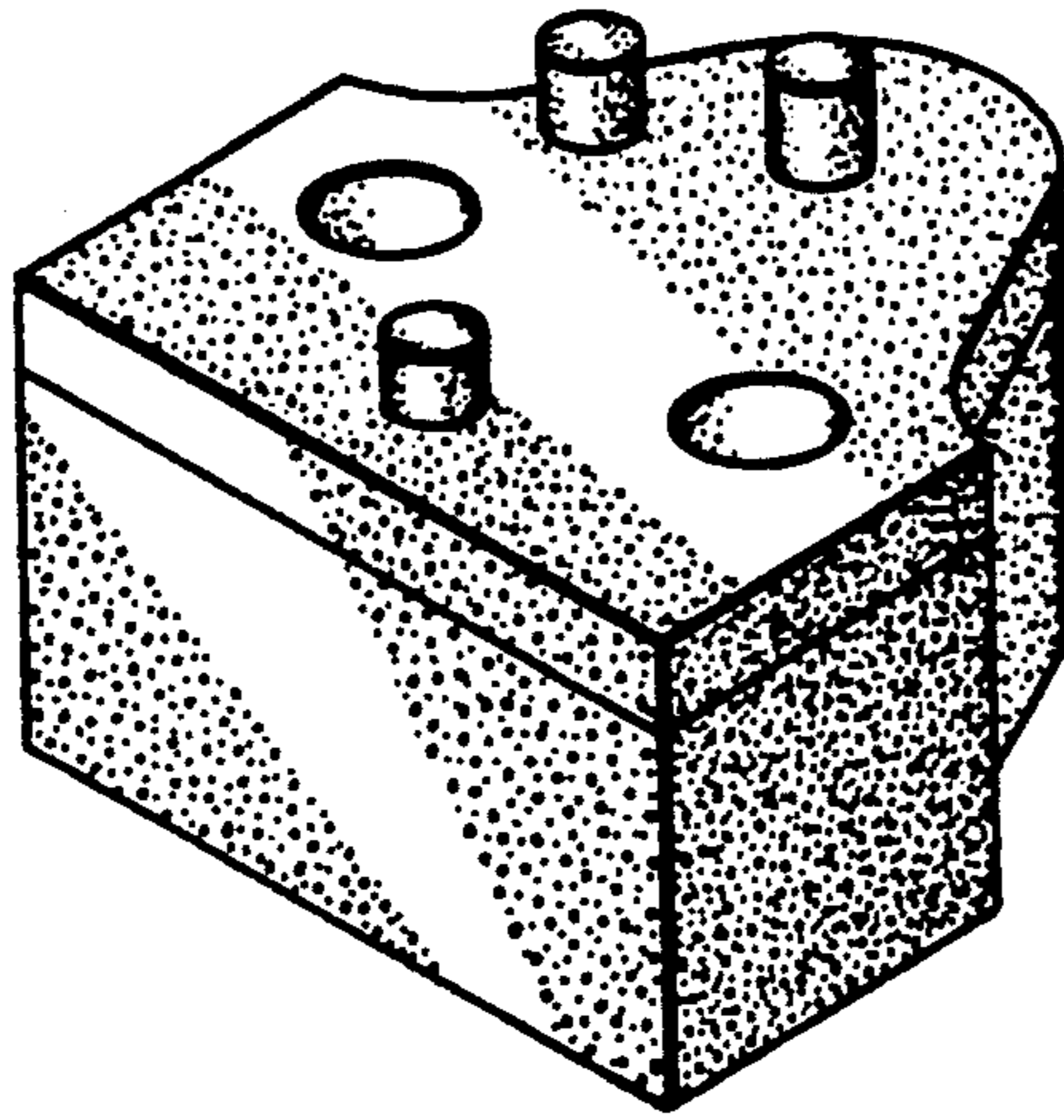


FIG. 1

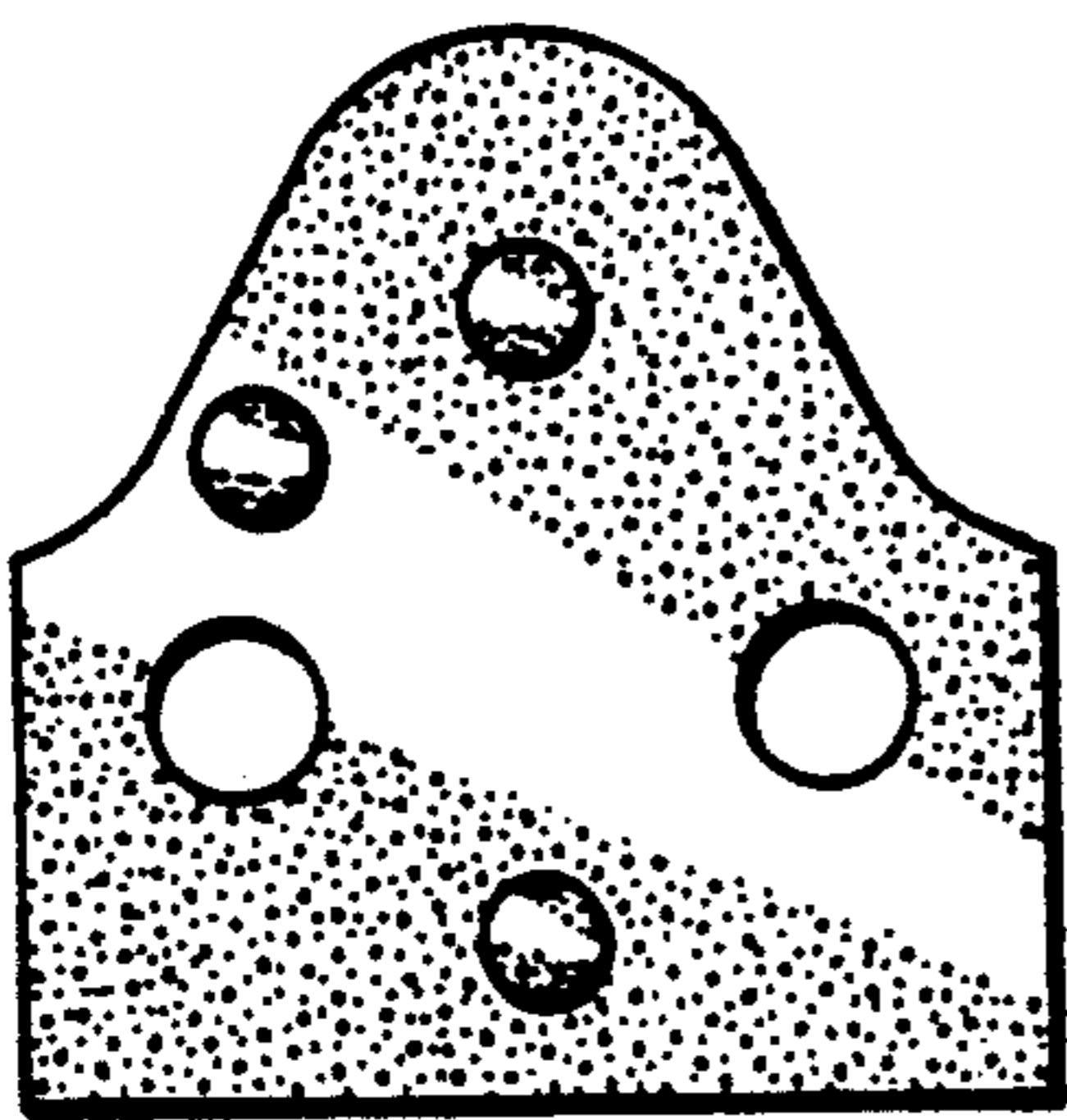


FIG. 2

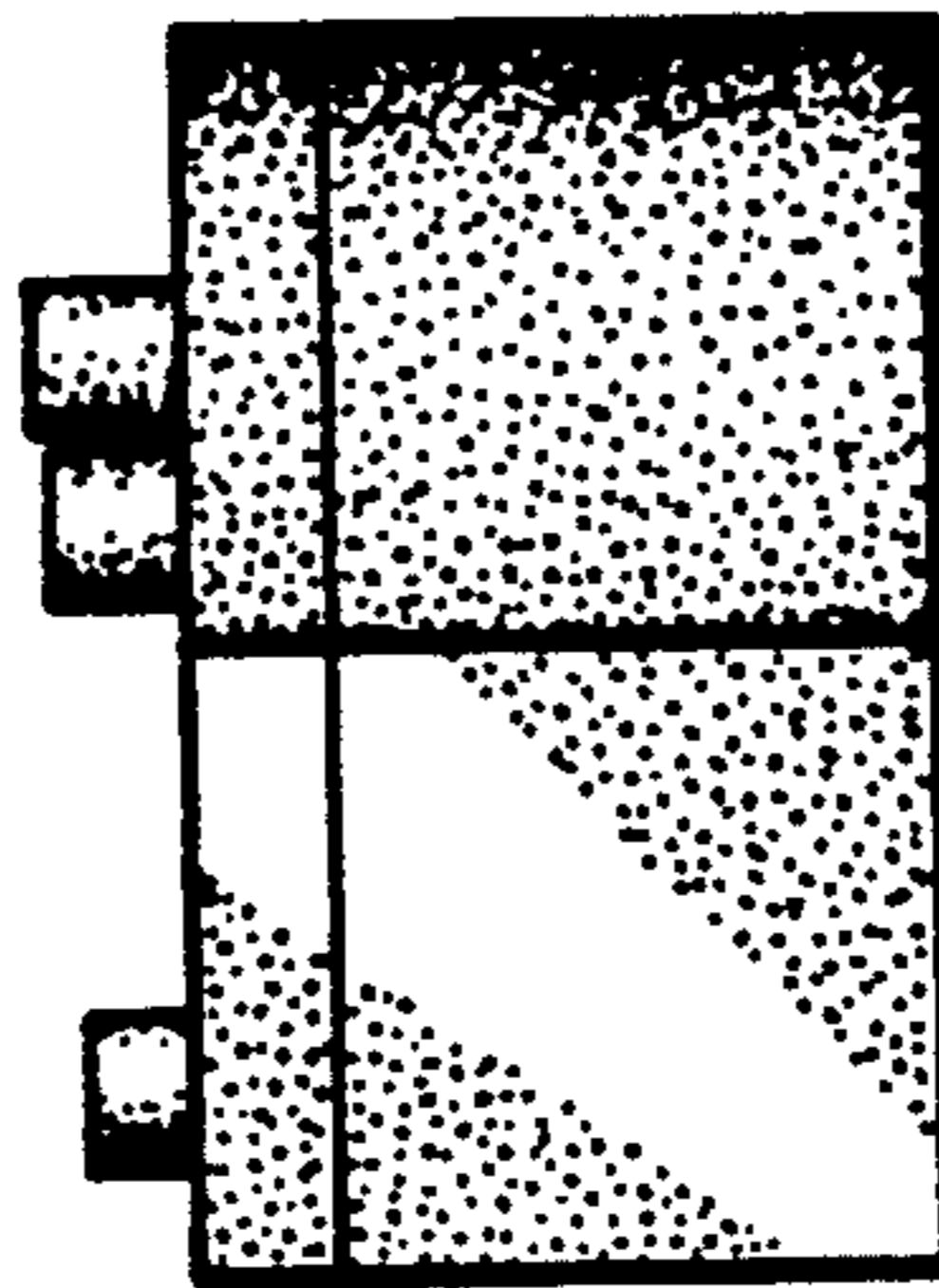


FIG. 3

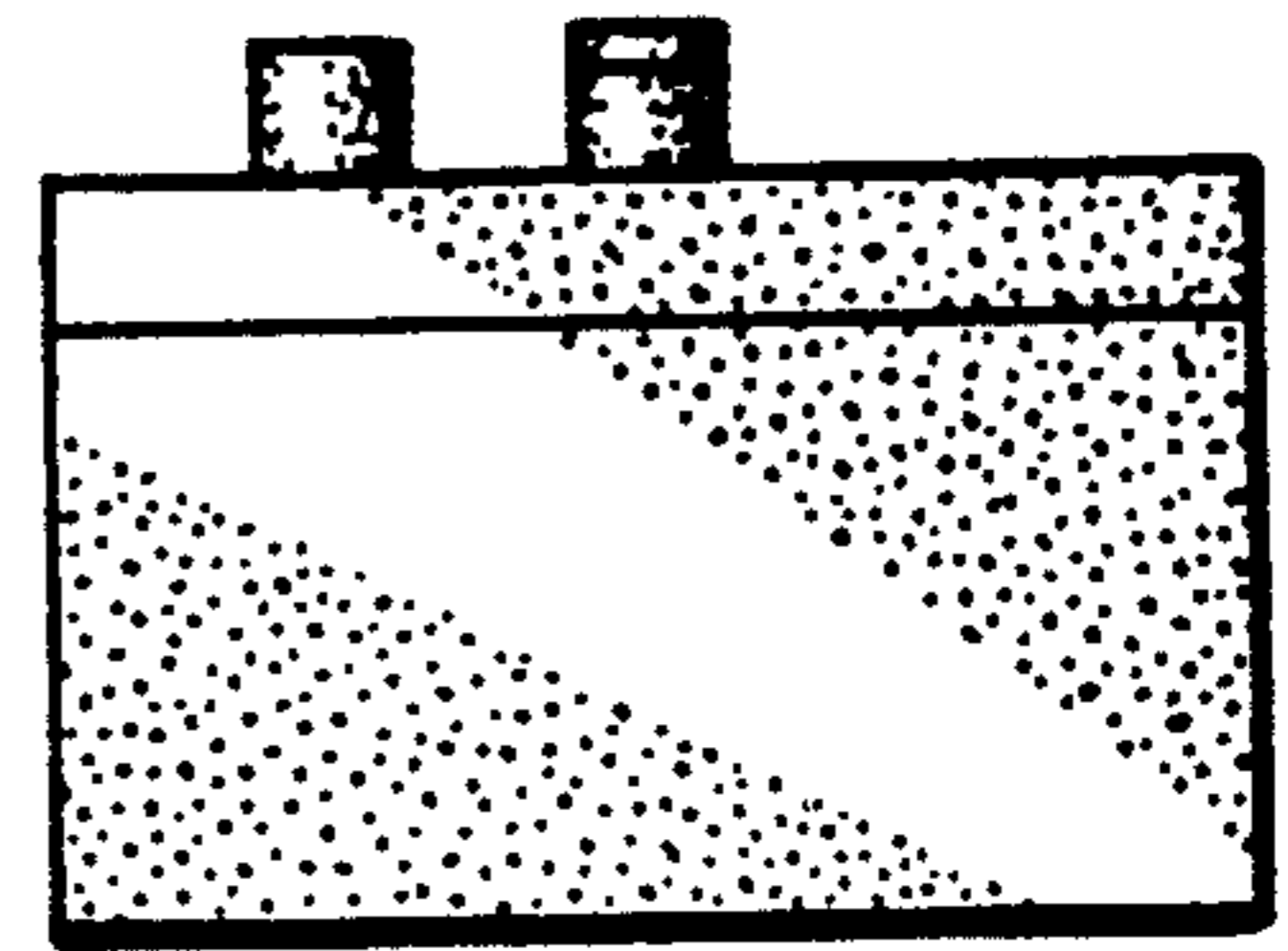


FIG. 4

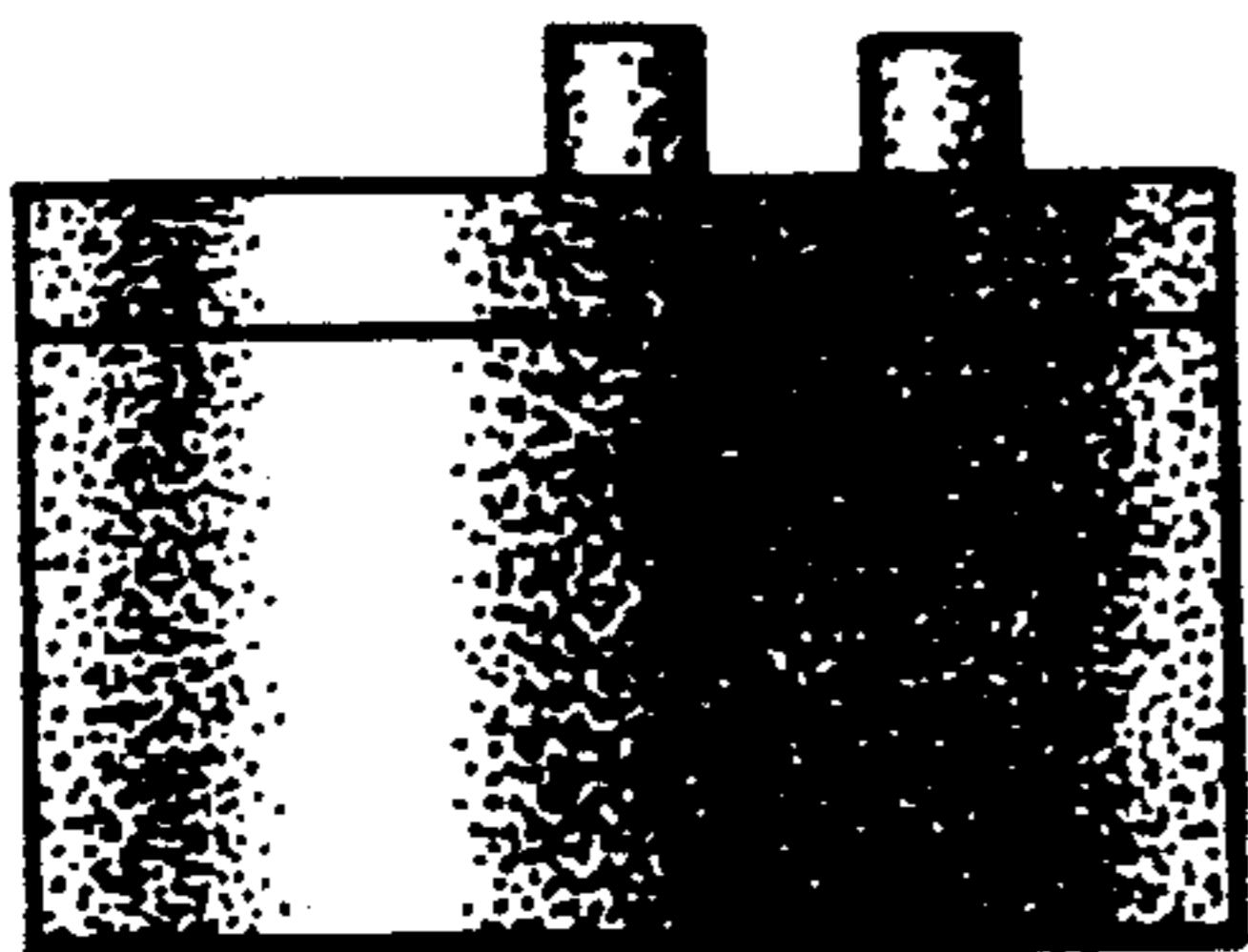


FIG. 5

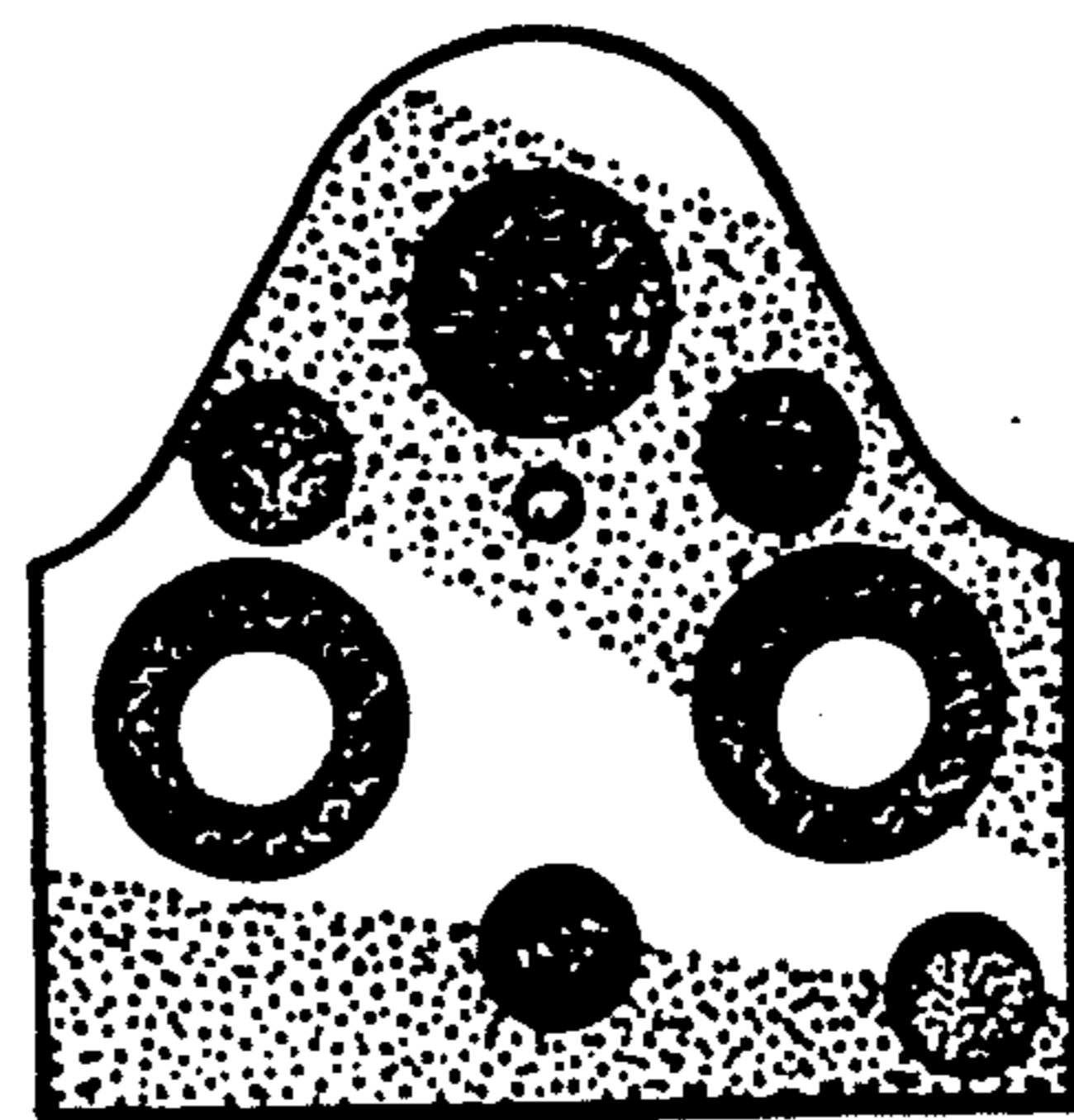


FIG. 6