



US00D346173S

# United States Patent [19]

[11] Patent Number: **Des. 346,173**

Price

[45] Date of Patent: **\*\* Apr. 19, 1994**

[54] MITER SAW

D. 306,031 2/1990 Ushiwata et al. .

[75] Inventor: **Scott D. Price, Pylesville, Md.**

D. 324,055 2/1992 Sakai et al. .... D15/133

[73] Assignee: **Black & Decker Inc., Wilmington, Del.**

4,638,700 1/1987 Fushiya et al. .

4,799,416 1/1989 Kunasaka et al. .... 83/471.3 X

5,042,348 8/1991 Brundage et al. .... 83/471.3

[\*\*] Term: **14 Years**

*Primary Examiner*—Alan P. Douglas

*Assistant Examiner*—Antoine Duval Davis

[21] Appl. No.: **4,839**

*Attorney, Agent, or Firm*—Charles E. Yocum; Dennis A. Dearing; John D. Del Ponti

[22] Filed: **Jan. 4, 1993**

## [57] CLAIM

### Related U.S. Application Data

The ornamental design for a miter saw, as shown and described.

[63] Continuation of Ser. No. 774,117, Oct. 9, 1991, abandoned.

[52] U.S. Cl. .... **D15/133**

[58] Field of Search ..... 83/471.1-471.4,  
83/477, 581; D15/127, 133

## DESCRIPTION

FIG. 1 is a top, front and left side perspective view of a miter saw showing my new design; FIG. 2 is a top, front and right side perspective view; FIG. 3 is a right side elevational view; FIG. 4 is a left side elevational view; FIG. 5 is a left side elevational view, shown in an alternate condition of use; FIG. 6 is a front elevational view; FIG. 7 is a rear elevational view; and, FIG. 8 is a top plan view thereof.

### [56] References Cited

#### U.S. PATENT DOCUMENTS

- D. 282,346 1/1986 Pioch .
- D. 287,694 1/1987 Miyamoto .
- D. 295,823 5/1988 Brickner, Jr. et al. .
- D. 305,542 1/1990 Miyamoto et al. .

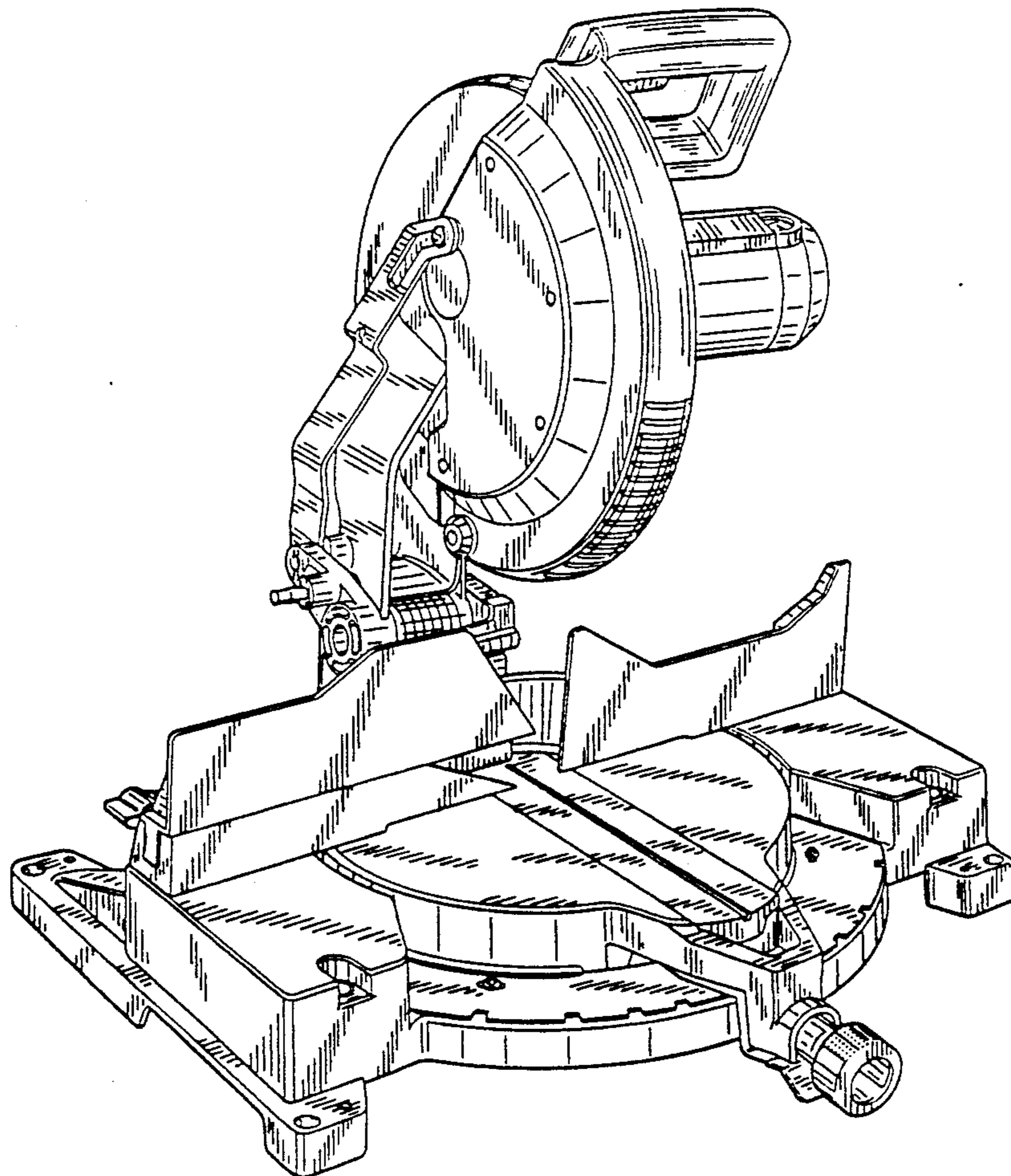


FIG. 1

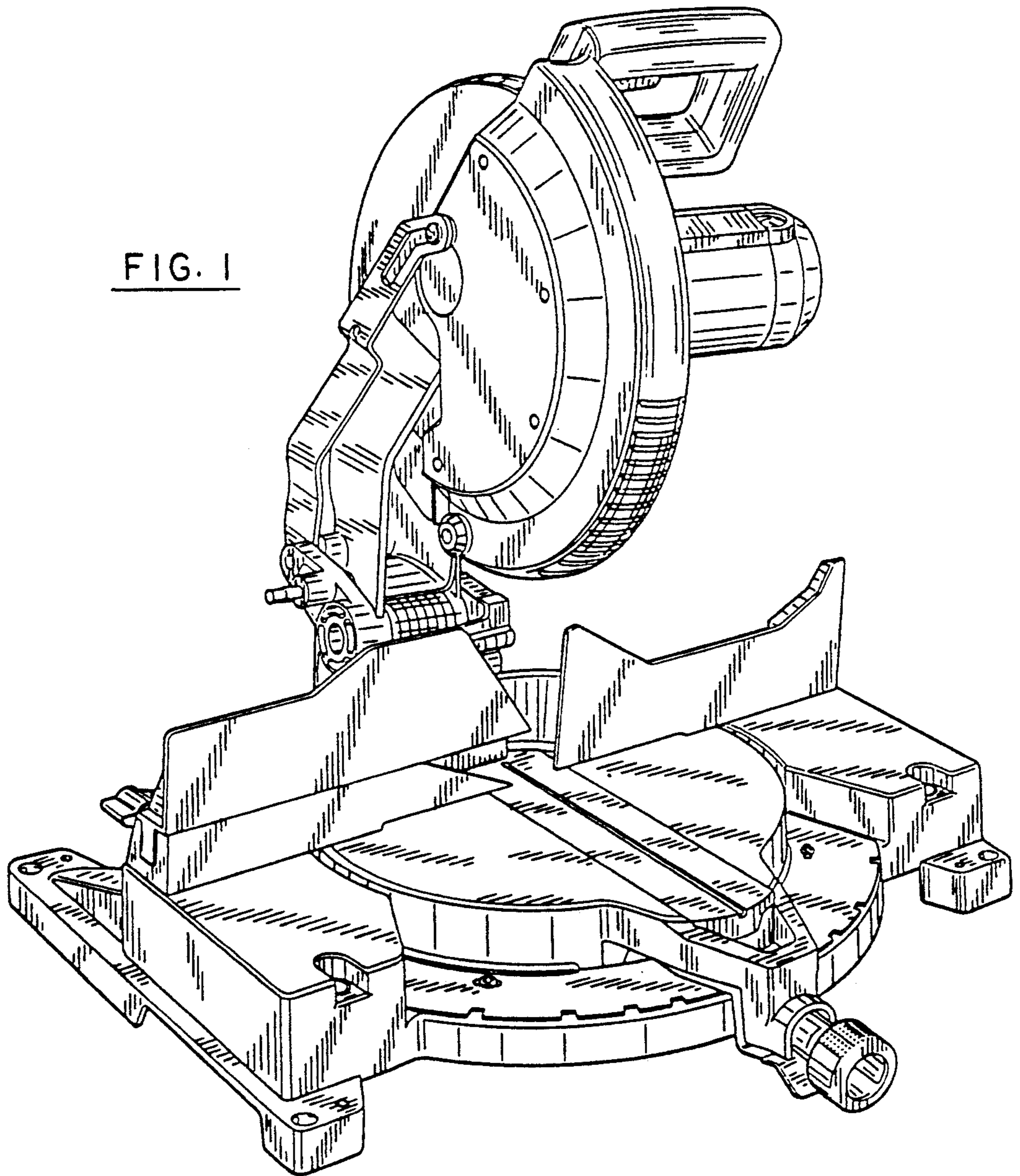
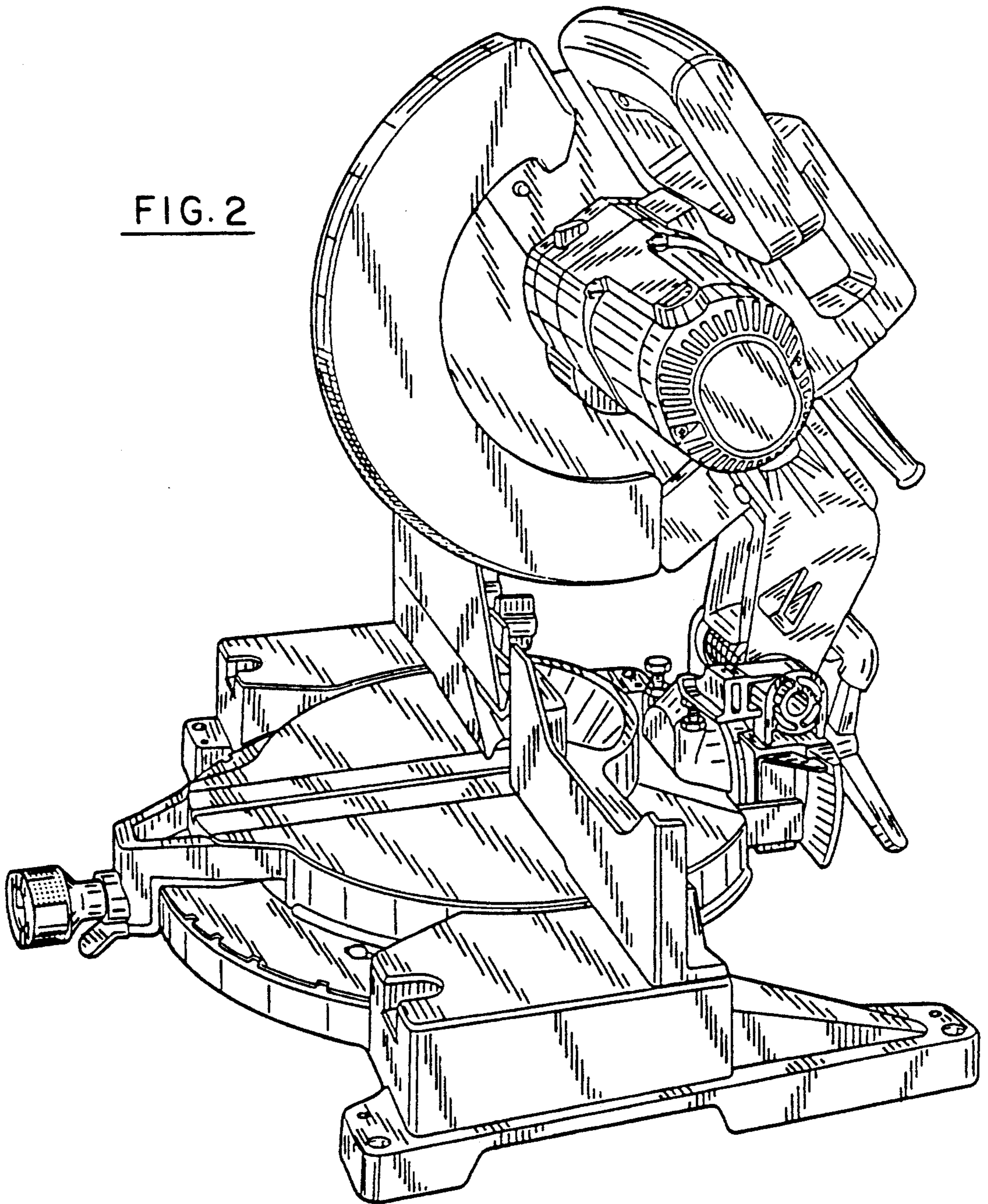


FIG. 2



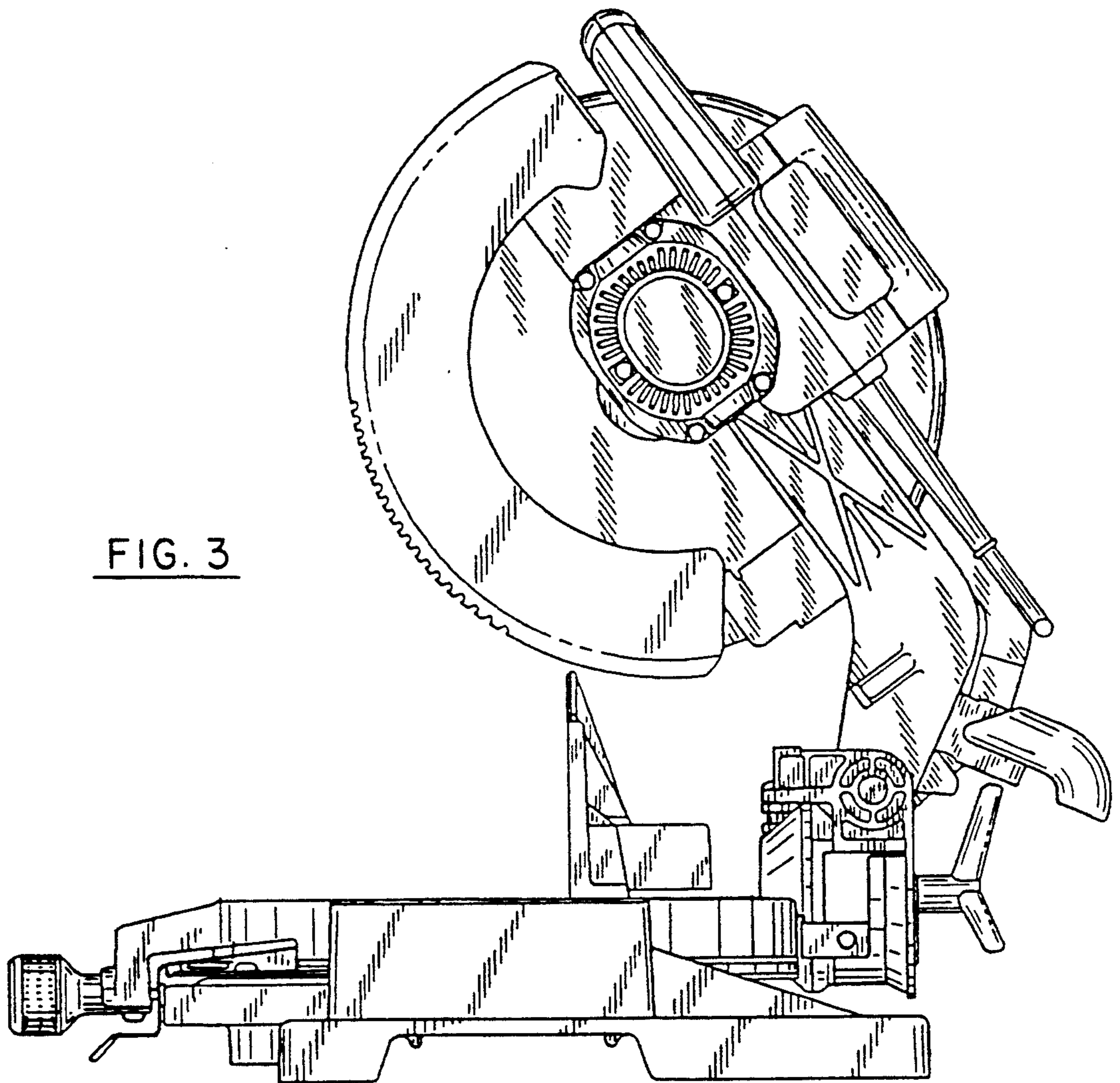


FIG. 3

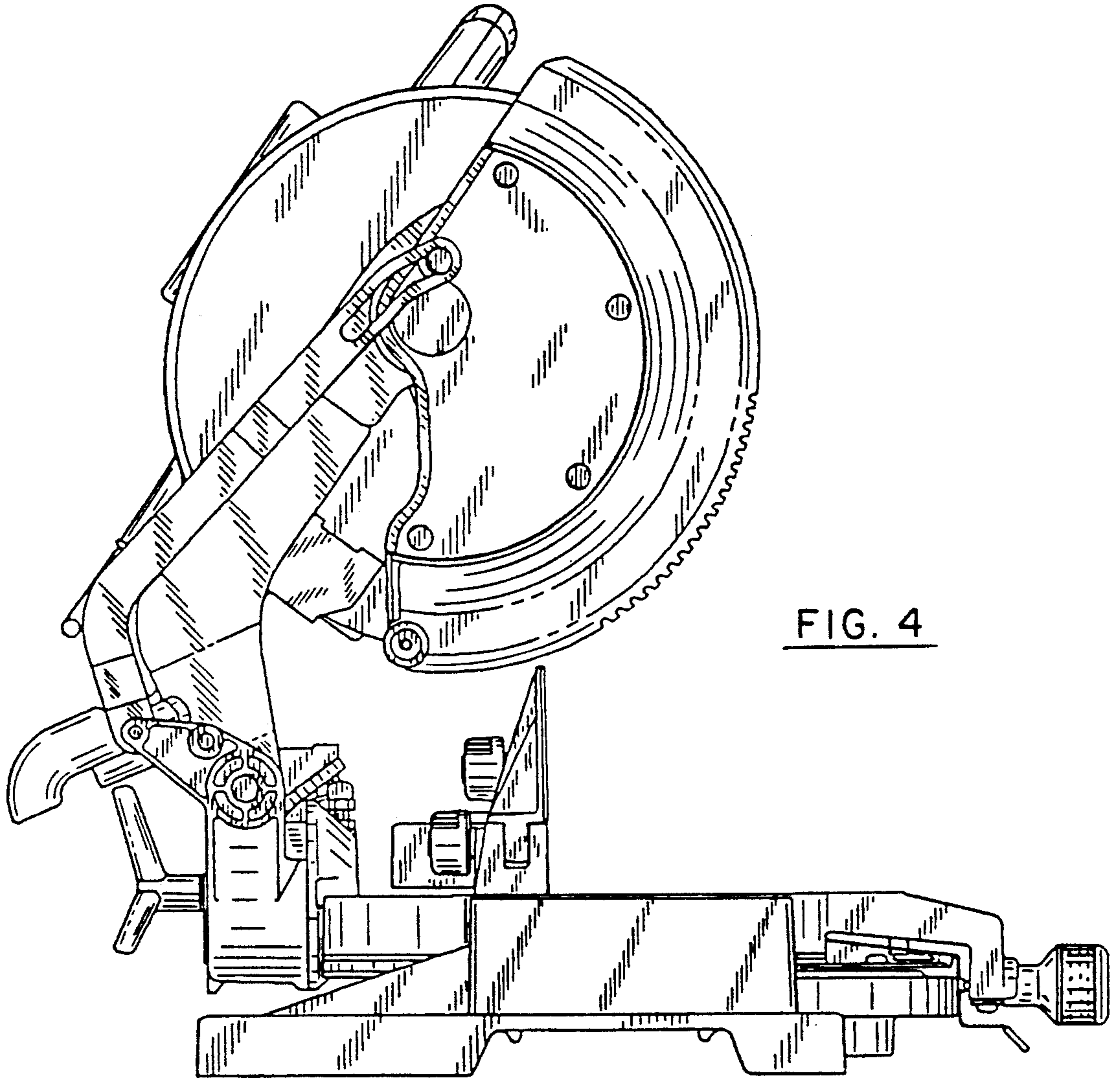


FIG. 4

FIG. 5

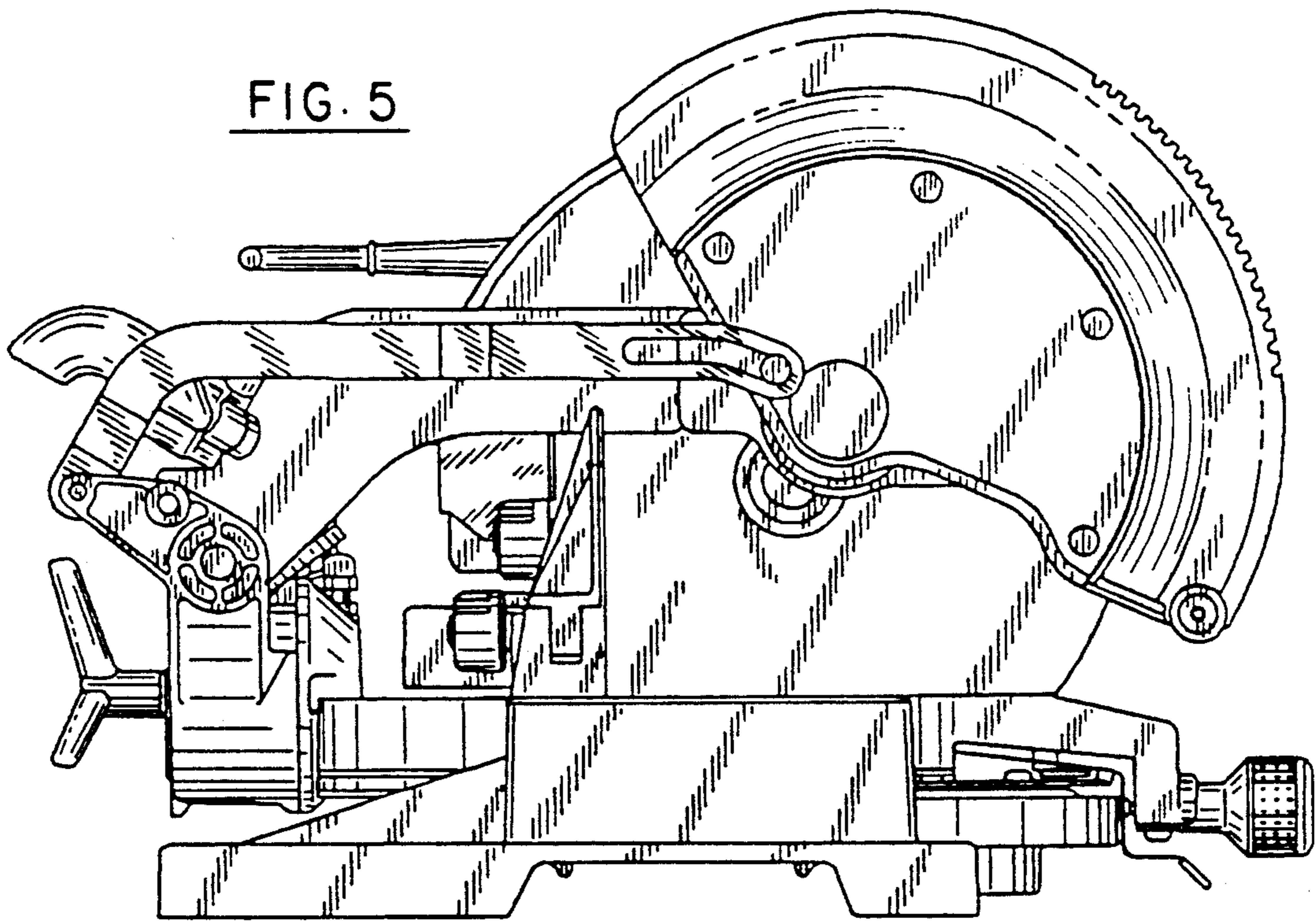
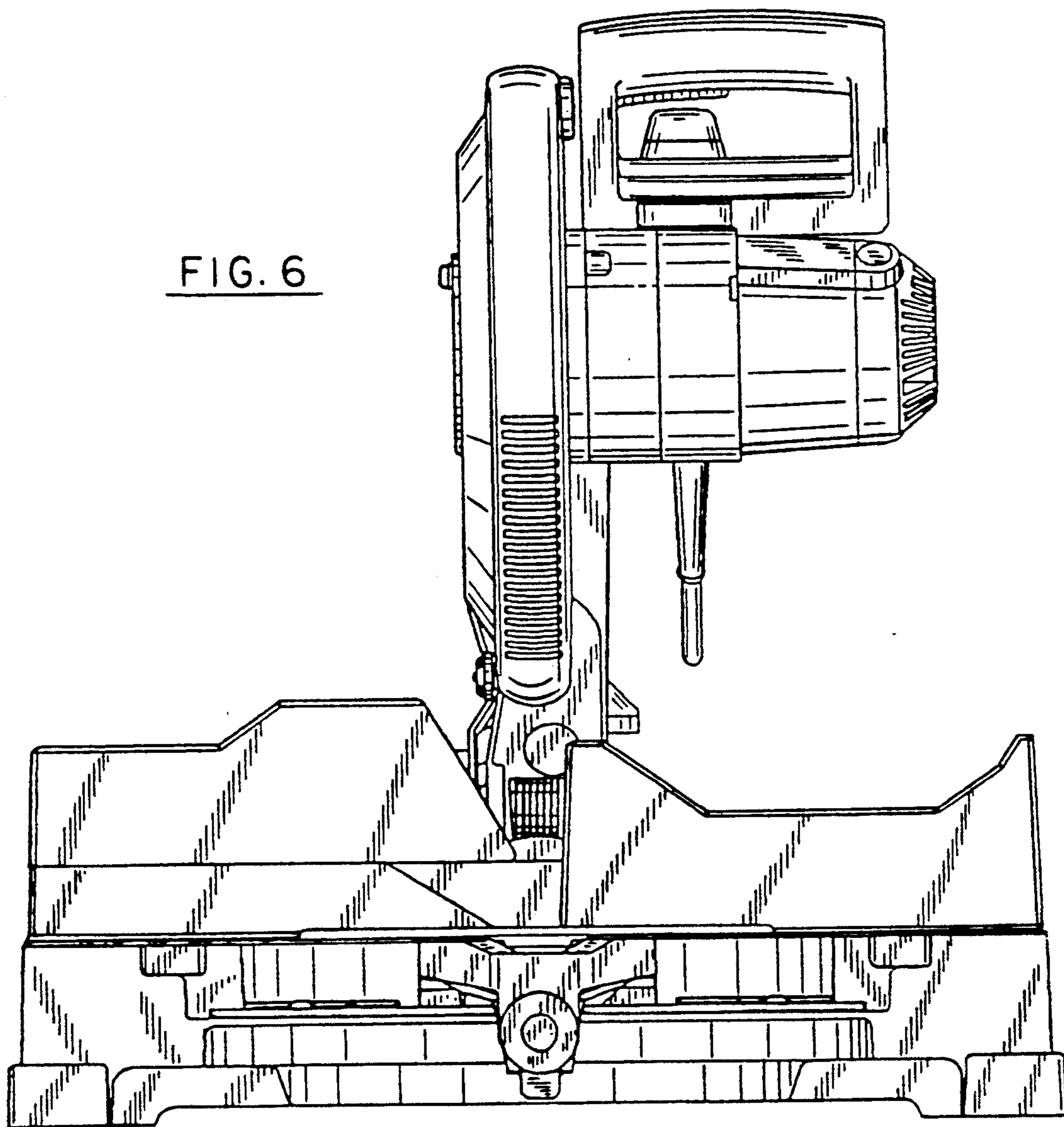


FIG. 6



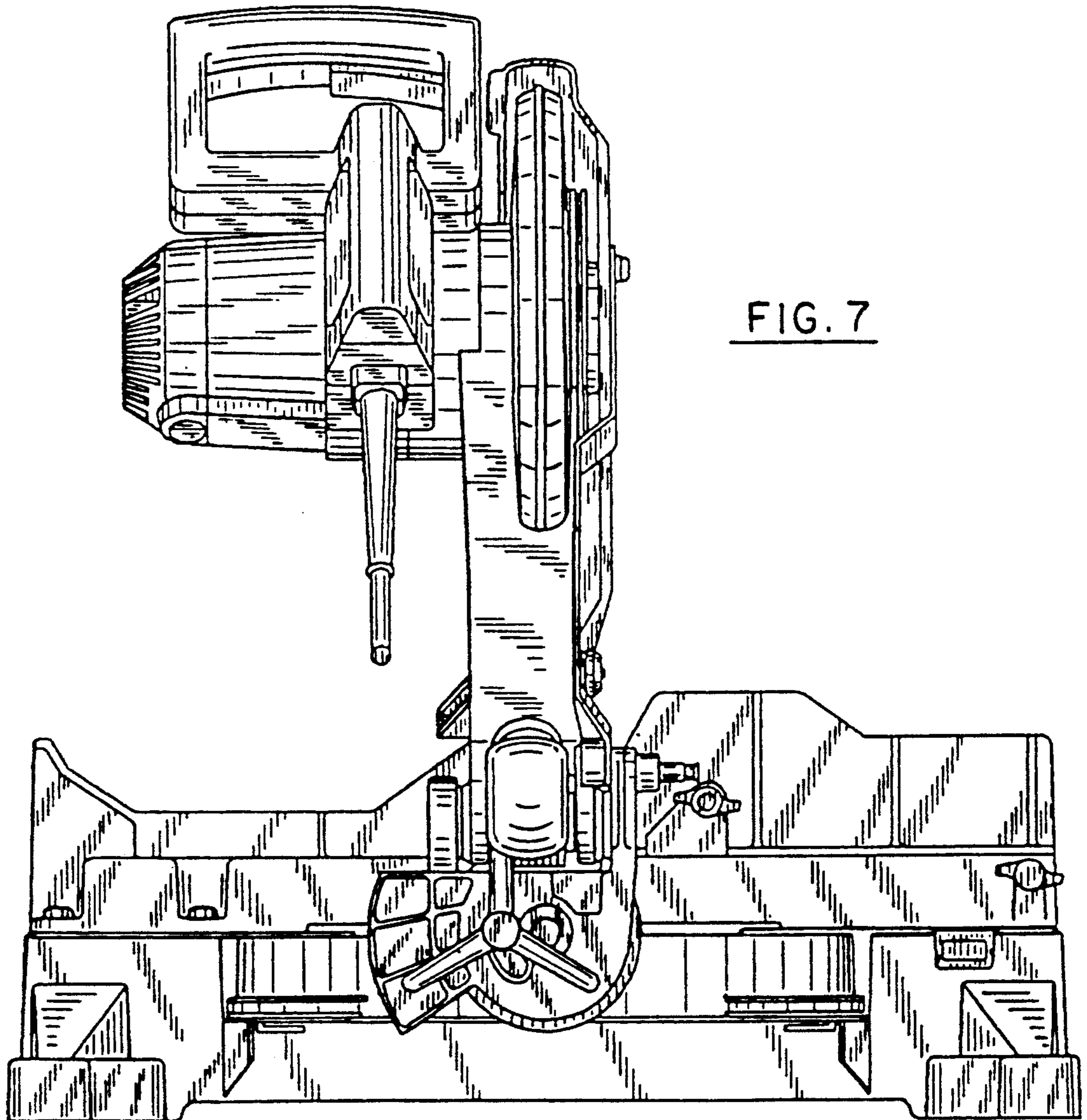


FIG. 7



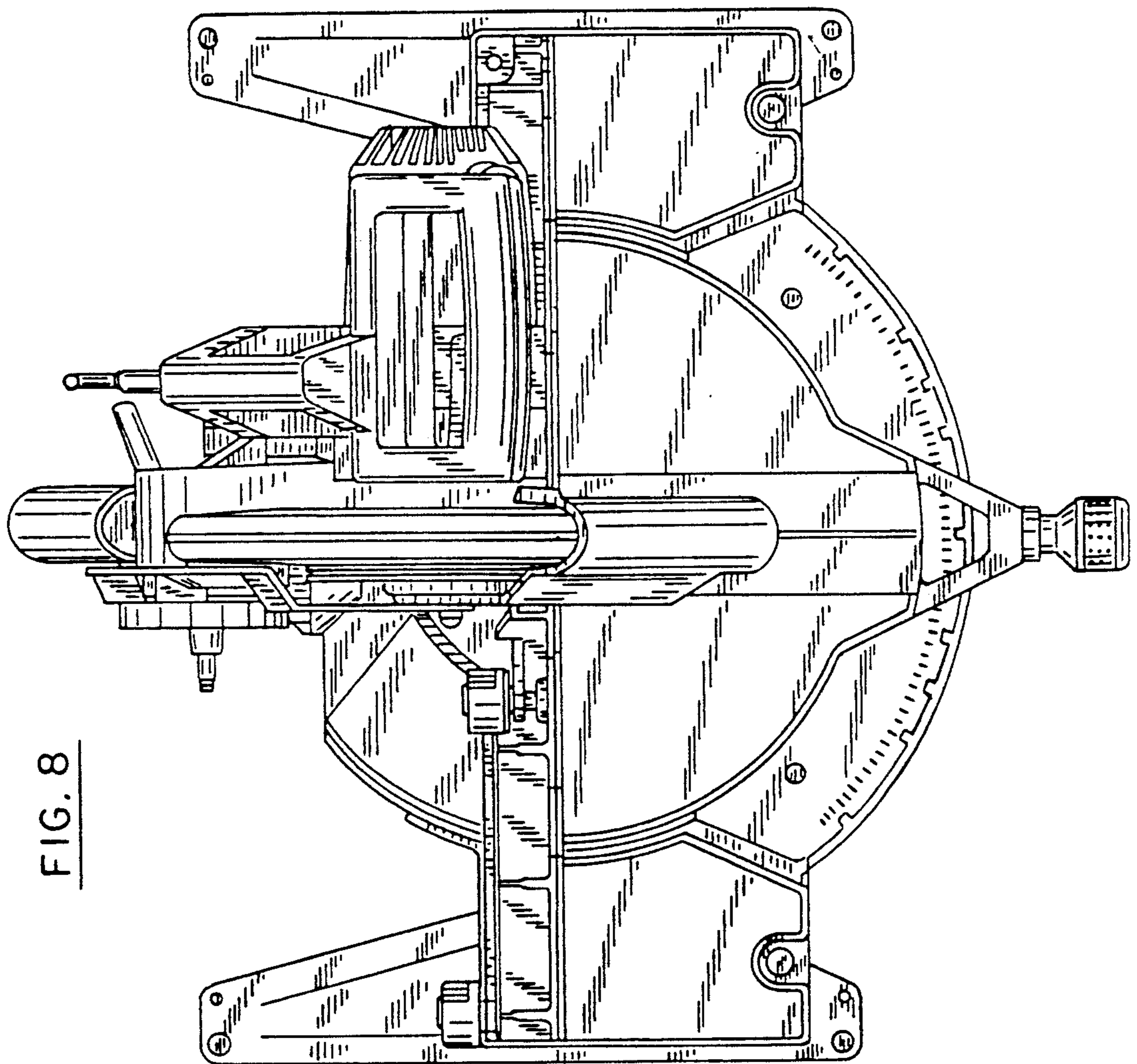


FIG. 8