



US00D346171S

# United States Patent [19] Ratcliffe

[11] Patent Number: **Des. 346,171**  
[45] Date of Patent: **\*\* Apr. 19, 1994**

## [54] TELEPHONE HANDSET

[75] Inventor: **William R. Ratcliffe**, Thousand Oaks, Calif.

[73] Assignee: **Marpole International Inc.**, Kowloon, Hong Kong

[\*\*] Term: **14 Years**

[21] Appl. No.: **780**

[22] Filed: **Oct. 26, 1992**

[52] U.S. Cl. .... **D14/248**

[58] Field of Search ..... 379/2, 33, 428, 419, 379/420, 440, 58-61; D14/137, 138, 140, 142, 147, 148, 149-151, 240, 241, 247, 248; D18/6, 7

### [56] References Cited

#### U.S. PATENT DOCUMENTS

D. 309,726	8/1990	Sasaki et al.	.....	D14/248
D. 312,636	12/1990	Arm	.....	D14/248 X
D. 330,024	10/1992	Peersman	.....	D14/147
4,736,411	4/1988	Chan	.....	D14/142 X

#### FOREIGN PATENT DOCUMENTS

0389676 10/1990 European Pat. Off. .... D14/8

#### OTHER PUBLICATIONS

Swisstel Brochure ©1988, handset shown.

*Primary Examiner*—Nelson C. Holtje

*Assistant Examiner*—Jeffrey Asch  
*Attorney, Agent, or Firm*—Ellsworth R. Roston; Charles H. Schwartz

### [57] CLAIM

The ornamental design for a telephone handset, as shown and described.

### DESCRIPTION

FIG. 1 is a perspective view of a telephone handset showing my new design with the receiver and speaker portions in a first and closed position;

FIG. 2 is a front elevational view of the telephone handset with the receiver and speaker portions in the first or closed position;

FIG. 3 is a side elevational view of the telephone handset with the receiver and speaker portions in the first or closed position;

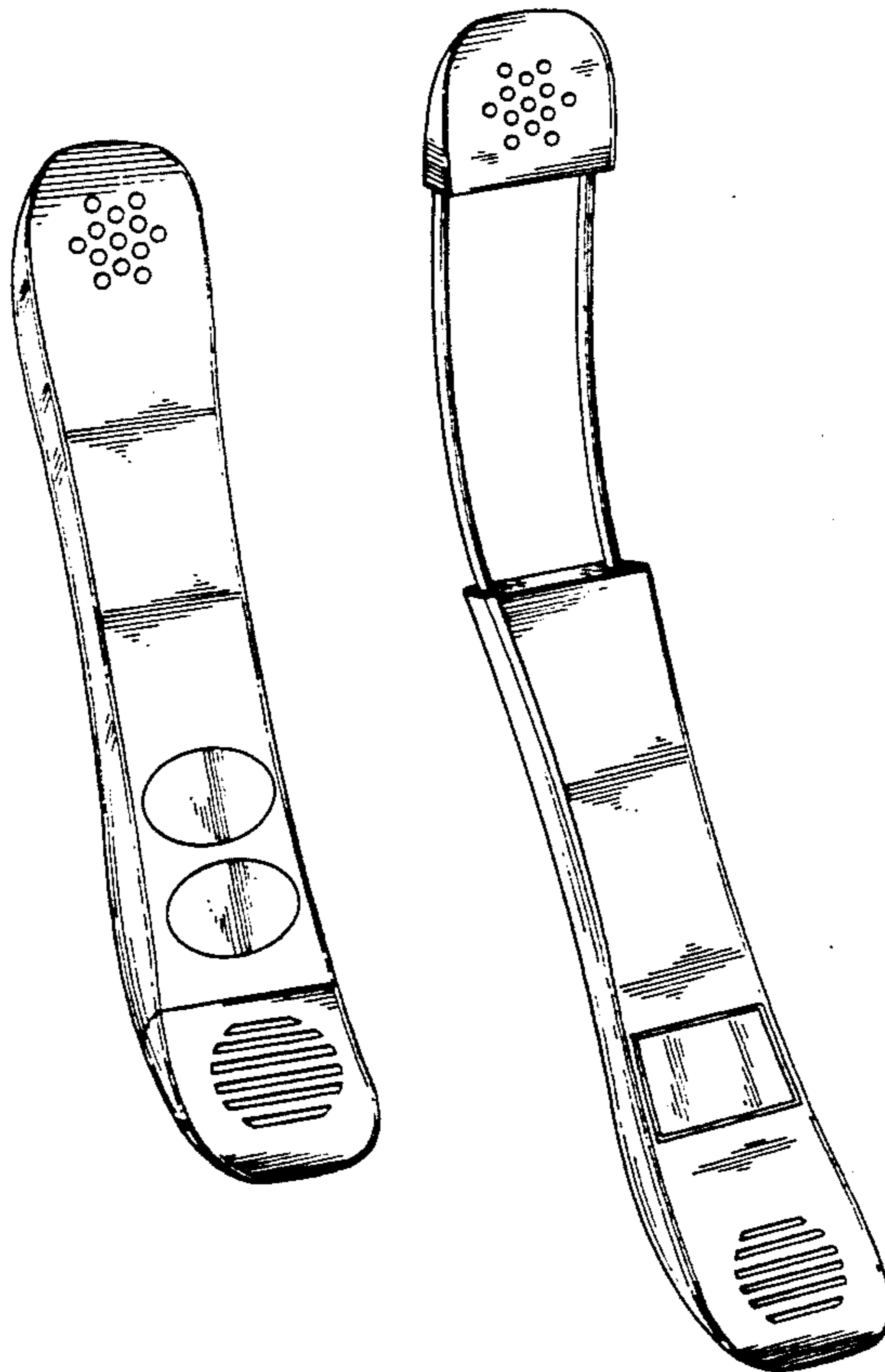
FIG. 4 is a bottom plan view of the telephone handset;

FIG. 5 is a top plan view of the telephone handset;

FIG. 6 is a rear elevational view of the telephone handset with the receiver and speaker portions in the first or closed position;

FIG. 7 is a perspective view similar to that shown in FIG. 1 but with the speaker and receiver portions of the telephone handset in a second or extended position relative to each other; and,

FIG. 8 is a perspective view, similar to that shown in FIG. 7, of a second embodiment of the telephone handset with the speaker and receiver portions in an extended relationship to each other.



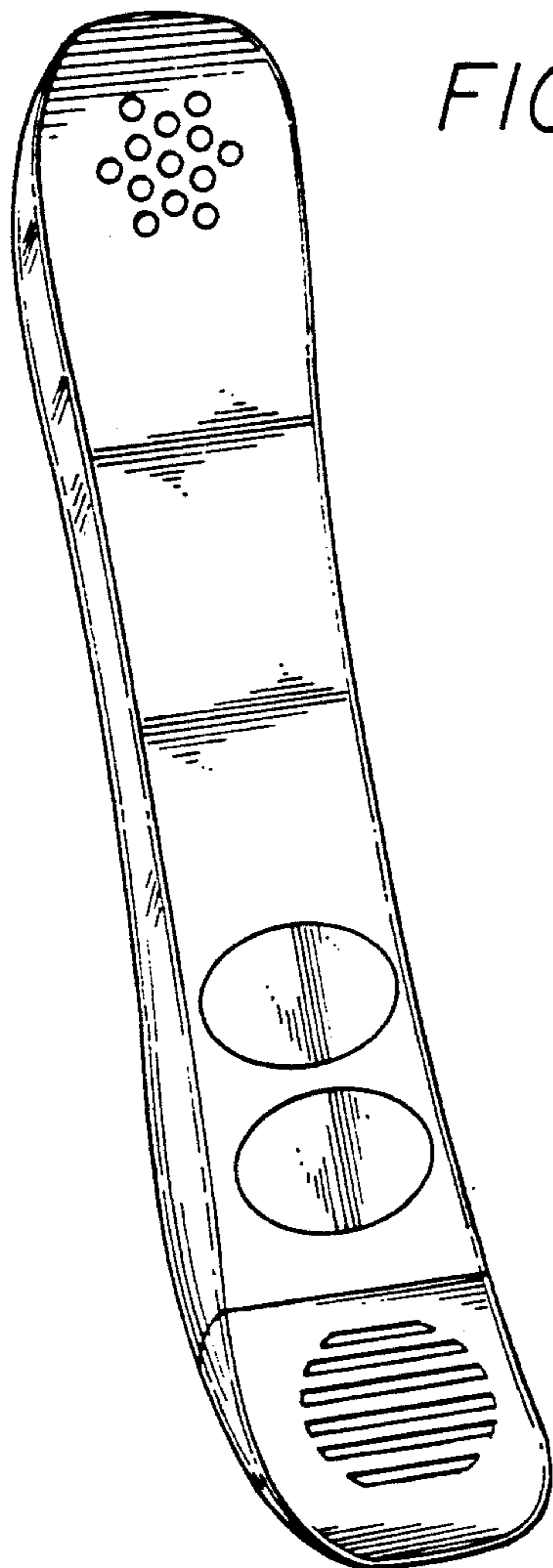


FIG. 1

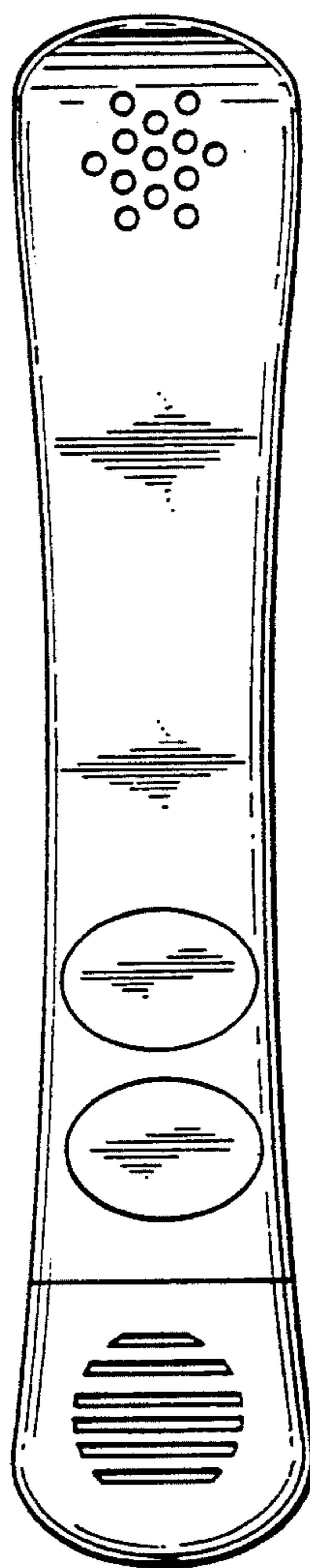


FIG. 2

FIG. 3



FIG. 4

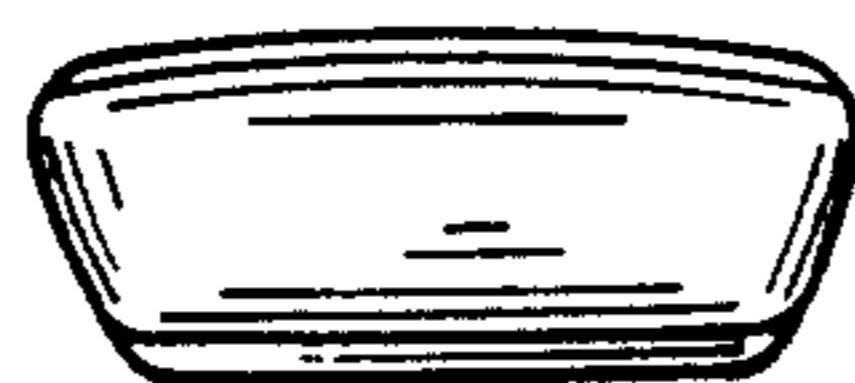


FIG. 5



FIG. 6

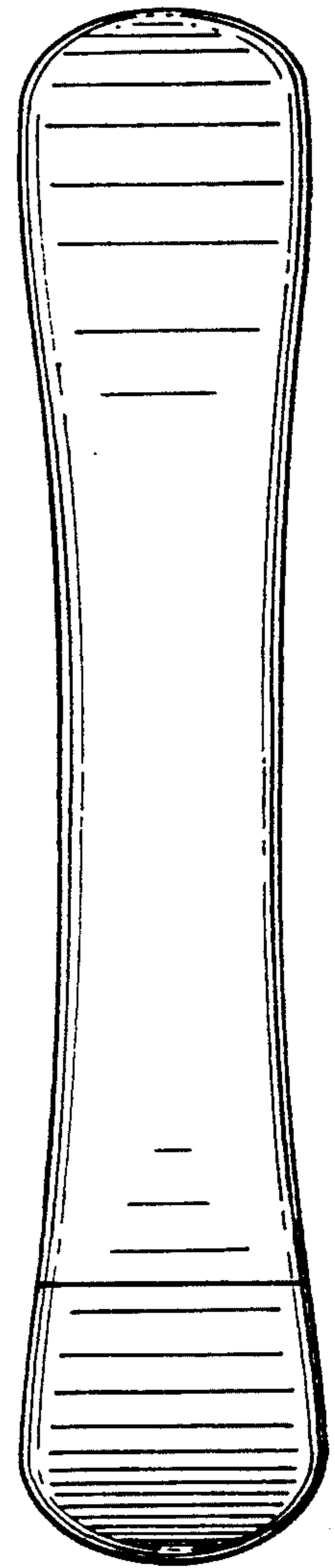


FIG. 7

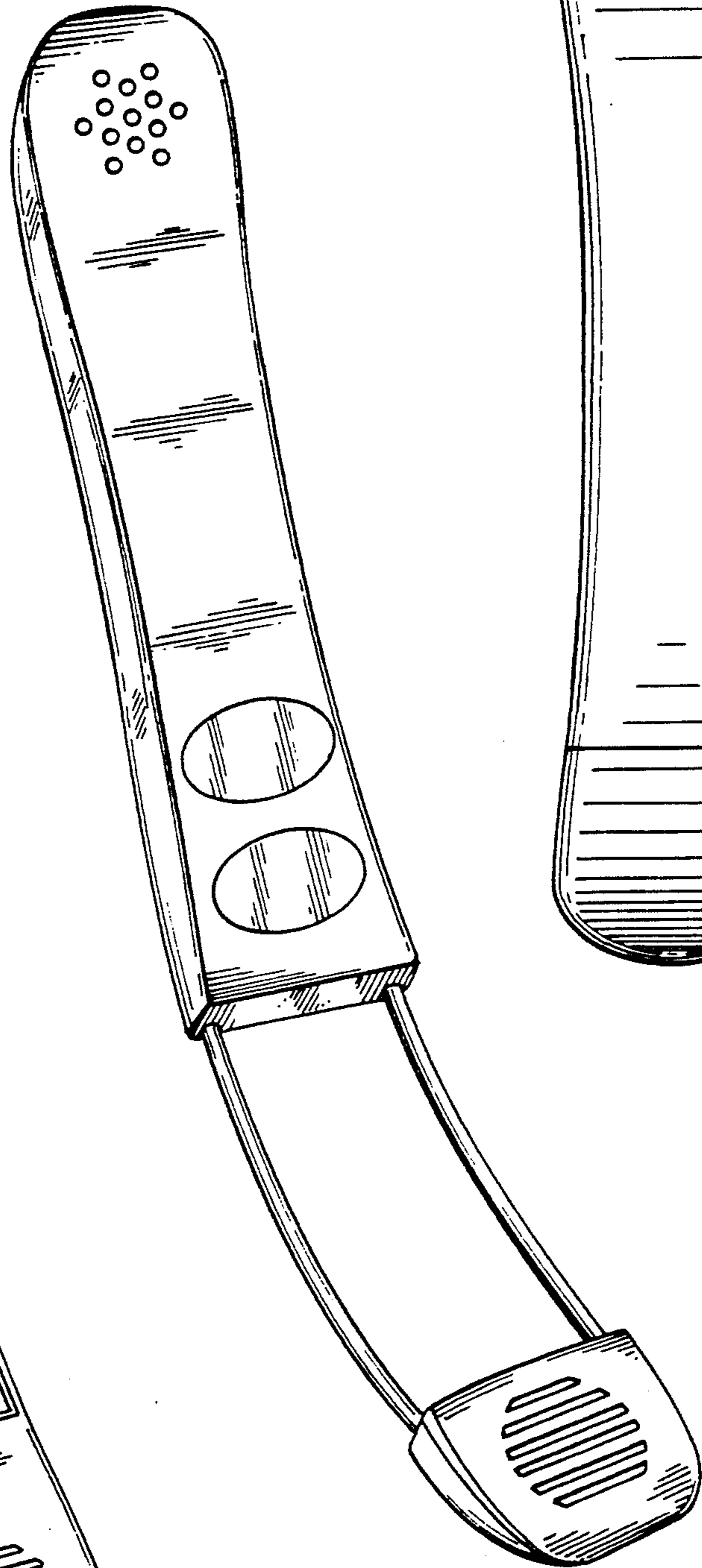


FIG. 8

