



US00D346163S

# United States Patent [19]

[11] Patent Number: **Des. 346,163**

Sowden

[45] Date of Patent: **\*\* Apr. 19, 1994**

[54] FACSIMILE MACHINE

D. 315,341	3/1991	Komatsu	.....	D14/118
D. 315,555	3/1991	Komatsu	.....	D14/118
D. 316,712	5/1991	Tsukada	.....	D14/118

[75] Inventor: **George Sowden, Milan, Italy**

[73] Assignee: **Ing. C. Olivetti & C., S.p.A., Ivrea, Italy**

### OTHER PUBLICATIONS

The Office, Jul. 1988, p. 125, Left-NEC Nefax 3EX facsimile.

[\*\*] Term: **14 Years**

*Primary Examiner*—Theodore M. Shooman  
*Attorney, Agent, or Firm*—Banner, Birch, McKie & Beckett

[21] Appl. No.: **941,643**

[22] Filed: **Sep. 10, 1992**

### [57] CLAIM

### [30] Foreign Application Priority Data

Mar. 31, 1992	[IT]	Italy	.....	T0920 00 0060
[52]	U.S. Cl.	.....		<b>D14/118</b>
[58]	Field of Search	.....	358/400-404;	
				D14/116, 118, 124, 299

The ornamental design for a facsimile machine, as shown and described.

### DESCRIPTION

FIG. 1 is a top and left perspective view of a facsimile machine showing my new design; FIG. 2 is a right side elevational view thereof; FIG. 3 is a rear elevational view thereof; and, FIG. 4 is a bottom plan view thereof.

### [56] References Cited

#### U.S. PATENT DOCUMENTS

D. 304,187 10/1989 Komatsu ..... D14/118



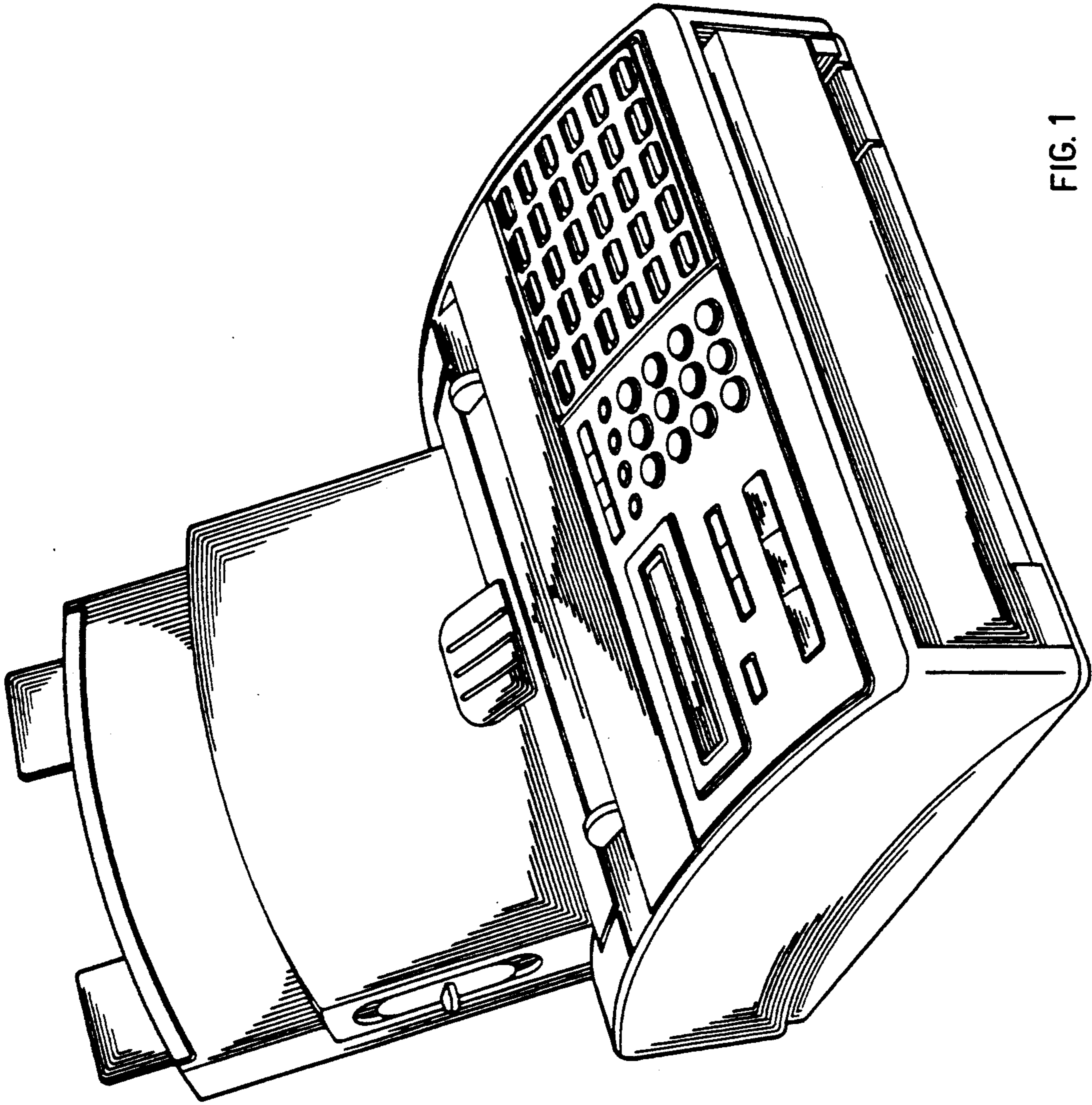


FIG. 1

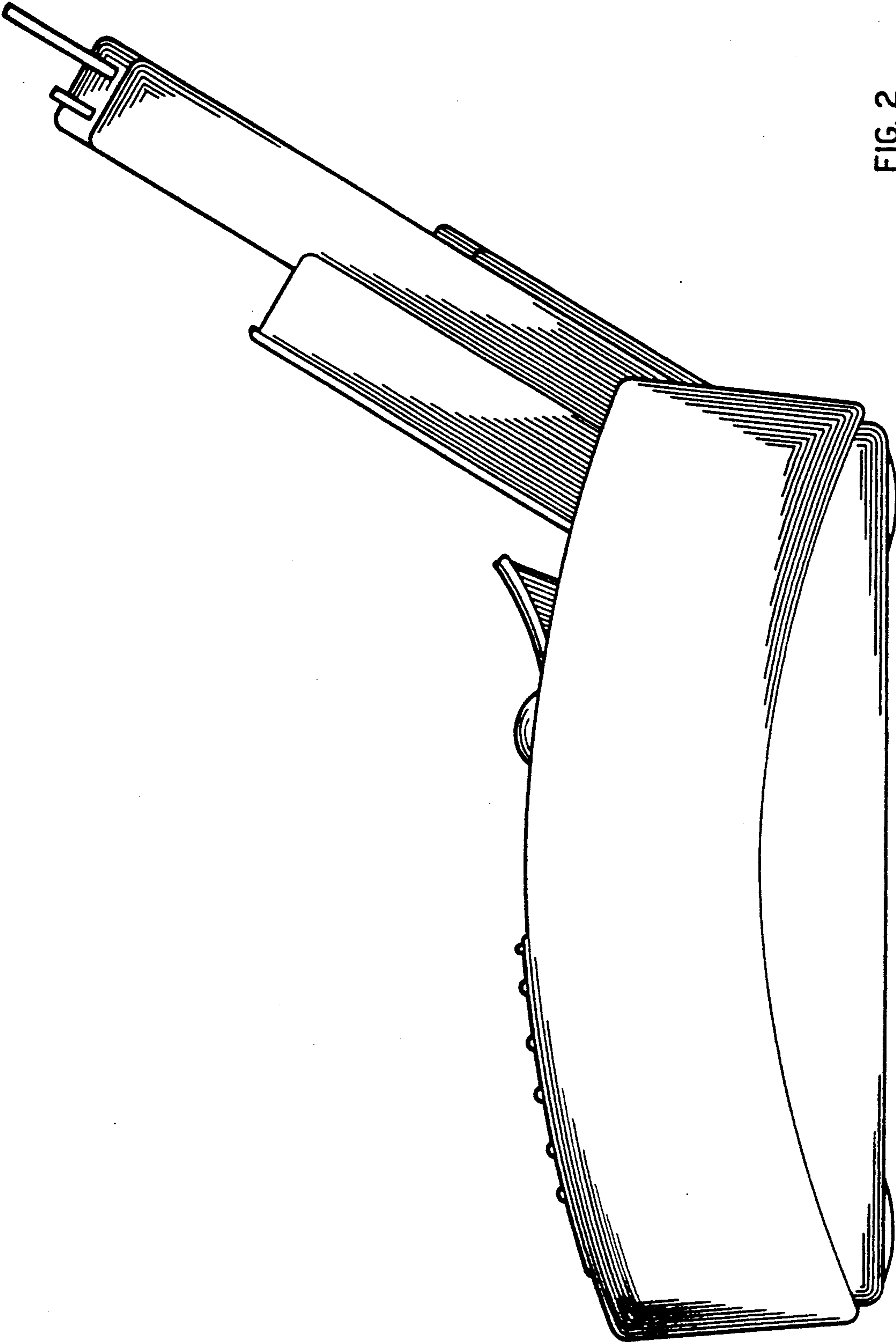


FIG. 2

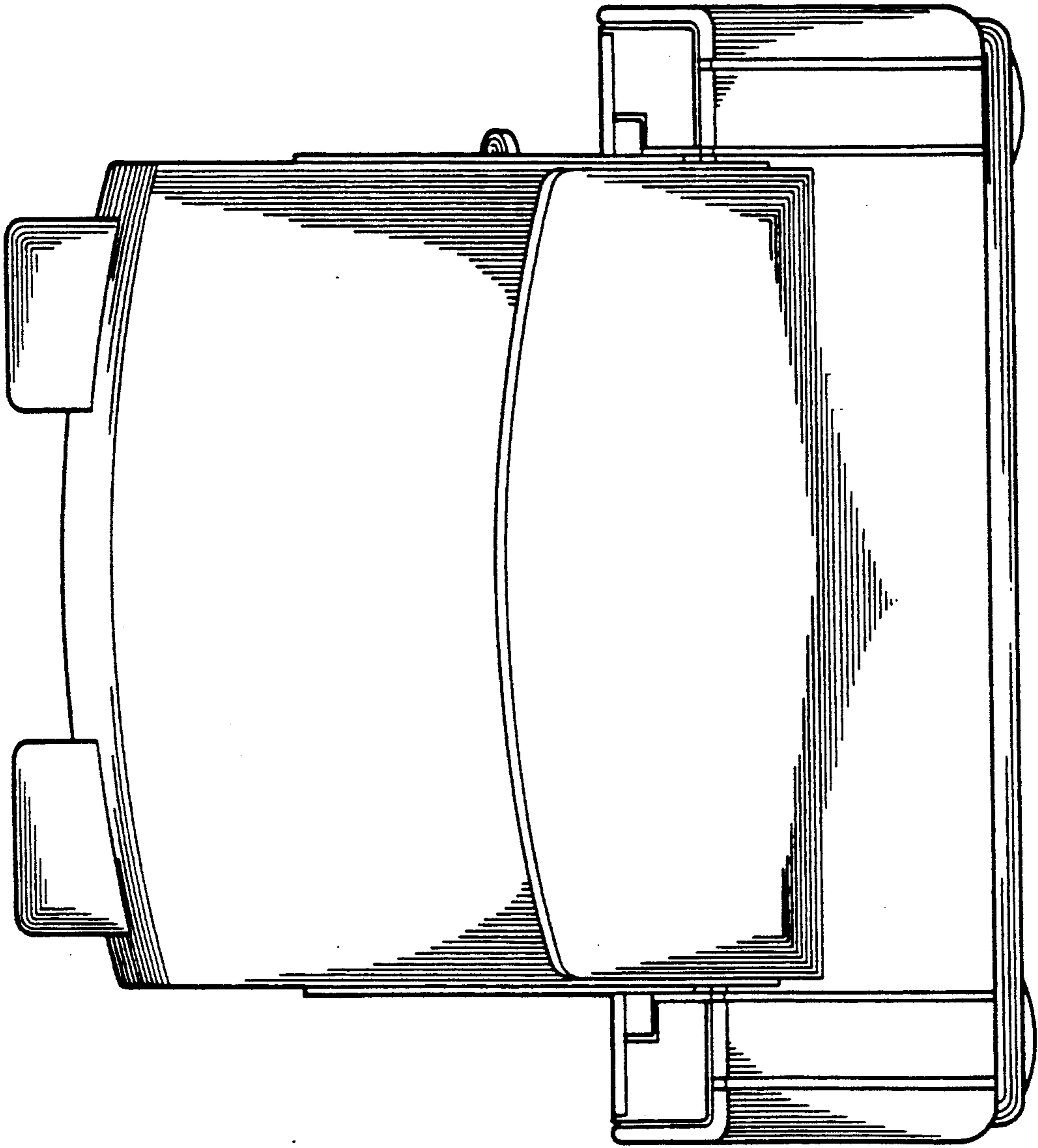


FIG. 3

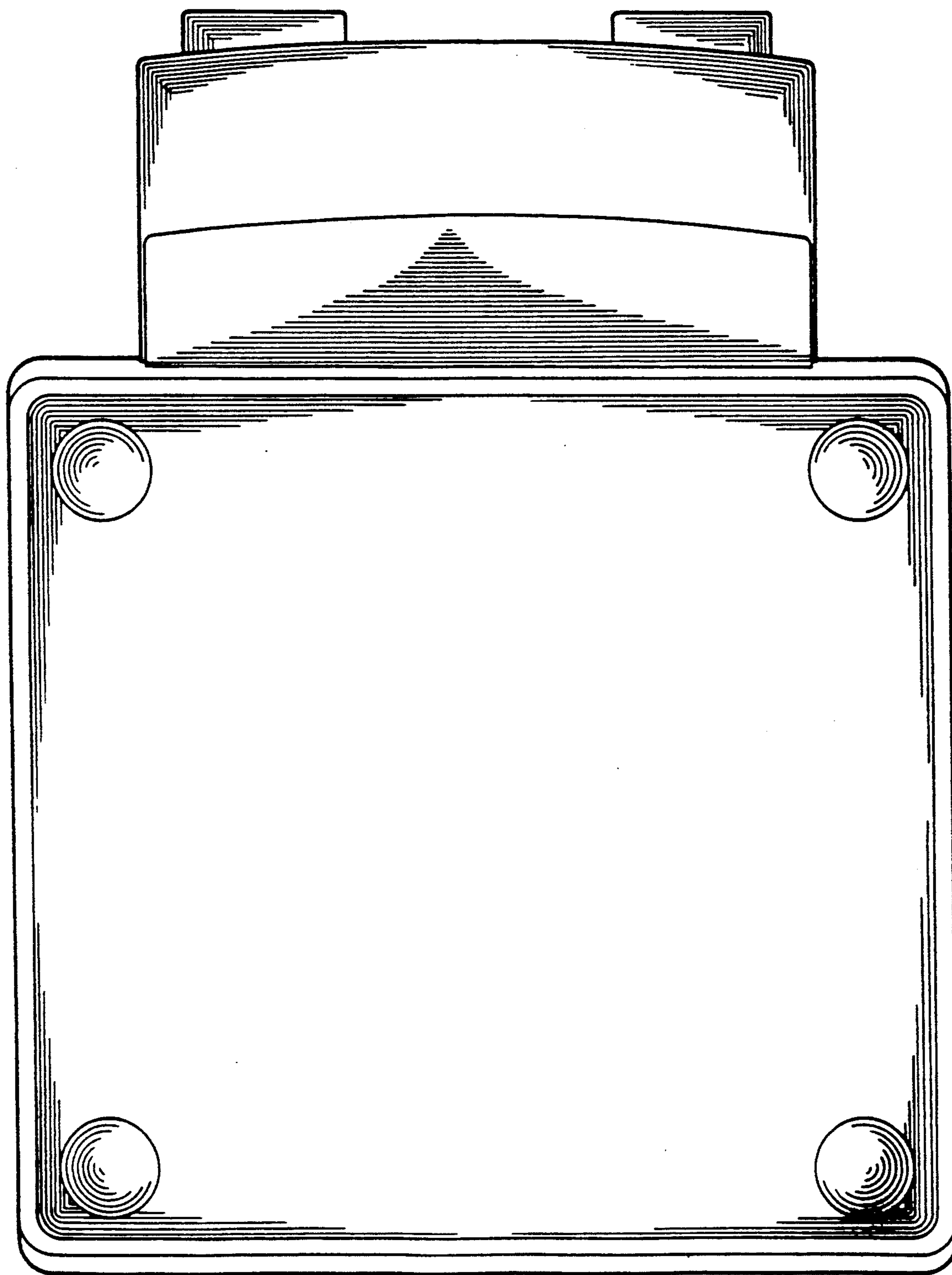


FIG. 4