



US00D346162S

United States Patent [19]

[11] Patent Number: Des. 346,162

Bennett et al.

[45] Date of Patent: ** Apr. 19, 1994

- [54] **ELECTRONIC BAR CODE READER**
- [75] Inventors: **Henry W. Bennett; Edward L. Davis,**
both of Charlotte, N.C.
- [73] Assignee: **Hand Held Products, Charlotte, N.C.**
- [**] Term: **14 Years**
- [21] Appl. No.: **907,207**
- [22] Filed: **Jun. 30, 1992**

Related U.S. Application Data

- [63] Continuation-in-part of Ser. No. 817,116, Dec. 23, 1991.
- [52] U.S. Cl. **D14/116**
- [58] Field of Search 235/375, 378, 385, 454,
235/462, 472, 486; 354/80-82; 382/58-69;
250/203.1, 216, 566, 568; D14/100, 114, 116;
D26/37, 45, 50

References Cited

U.S. PATENT DOCUMENTS

- D. 243,341 2/1977 Miller D14/116
- D. 303,663 9/1989 Kumar et al. D14/116
- D. 307,894 5/1990 Siemiatkowski D14/116
- D. 319,226 8/1991 Yokoi et al. D14/116

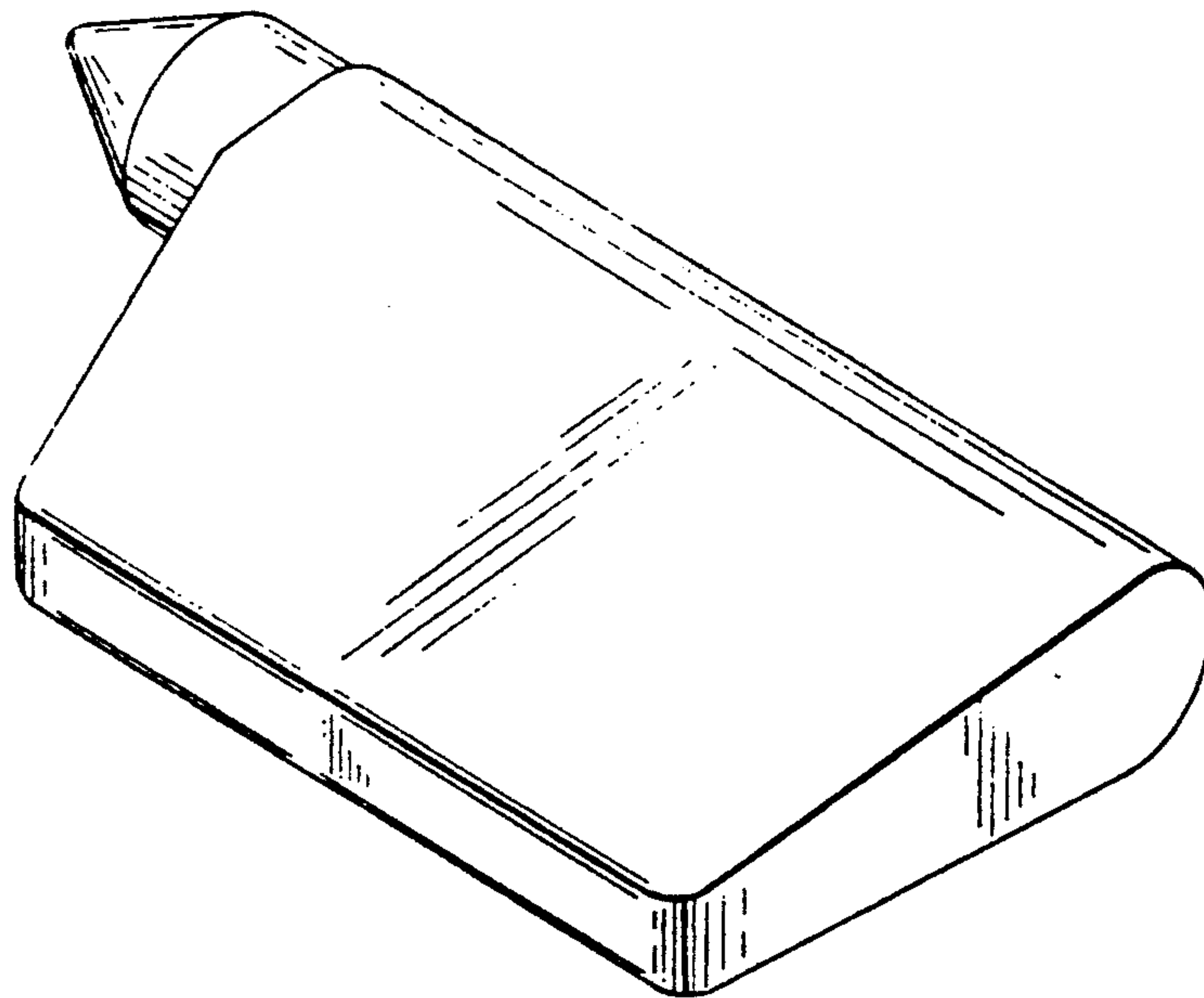
Primary Examiner—Wallace R. Burke
Assistant Examiner—M. H. Tung
Attorney, Agent, or Firm—Bell, Seltzer, Park & Gibson

[57] CLAIM

The ornamental design for an electronic bar code reader, as shown and described.

DESCRIPTION

FIG. 1 is a side perspective view of an electronic bar code reader showing the new design, the opposite side is a mirror image.
 FIG. 2 is a top plan view of the design;
 FIG. 3 is a front plan view of the design;
 FIG. 4 is a rear plan view of the design;
 FIG. 5 is a bottom plan view of the design;
 FIG. 6 is a side perspective view of a second embodiment thereof, the opposite side, front, rear, top and bottom views being identical to the first embodiment;
 FIG. 7 is a side perspective view of a third embodiment thereof, the opposite side is a mirror image;
 FIG. 8 is a top plan view of the third embodiment;
 FIG. 9 is a front plan view of the third embodiment;
 FIG. 10 is a rear plan view of the third embodiment;
 and,
 FIG. 11 is a bottom plan view of the third embodiment.



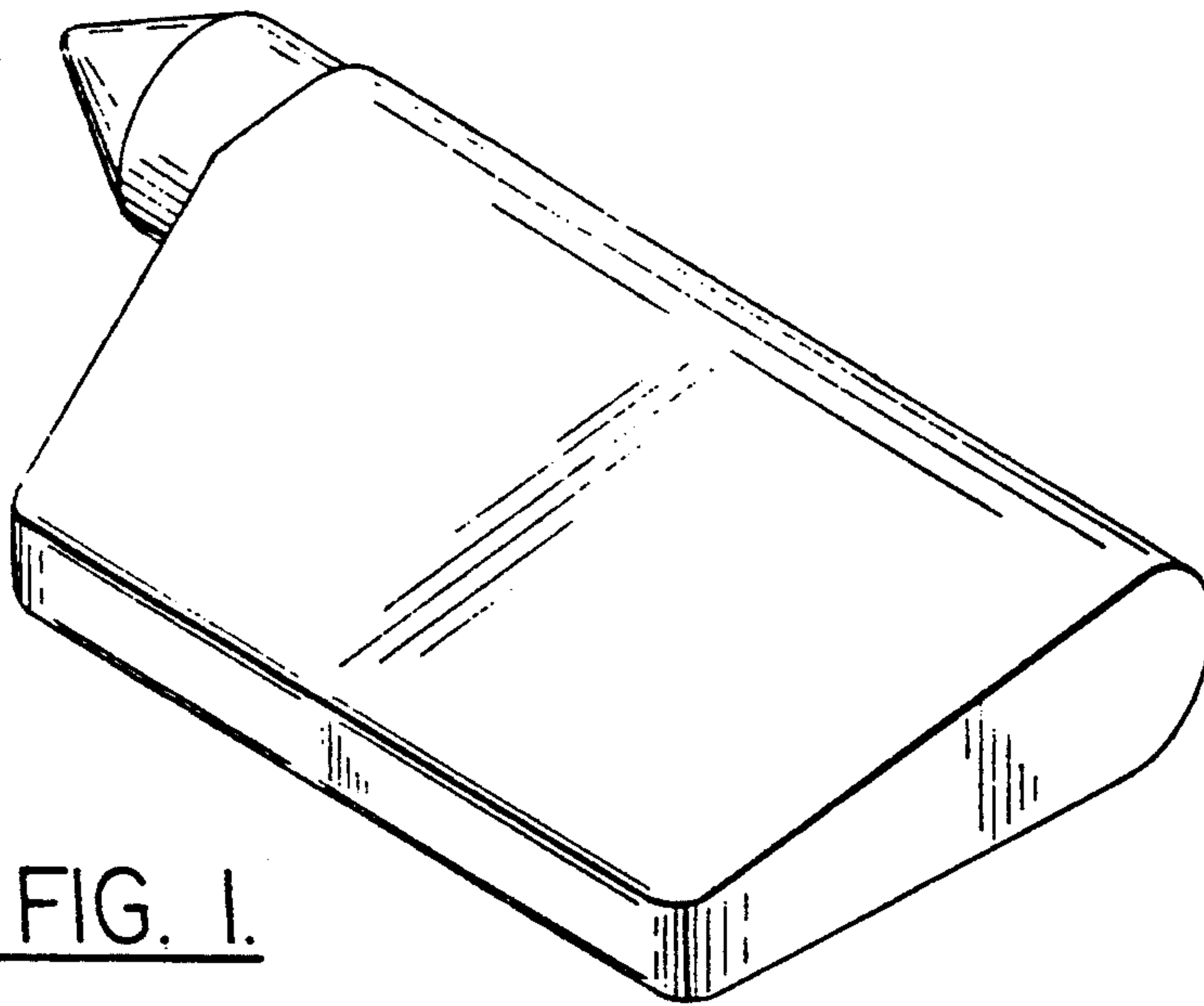


FIG. 1.

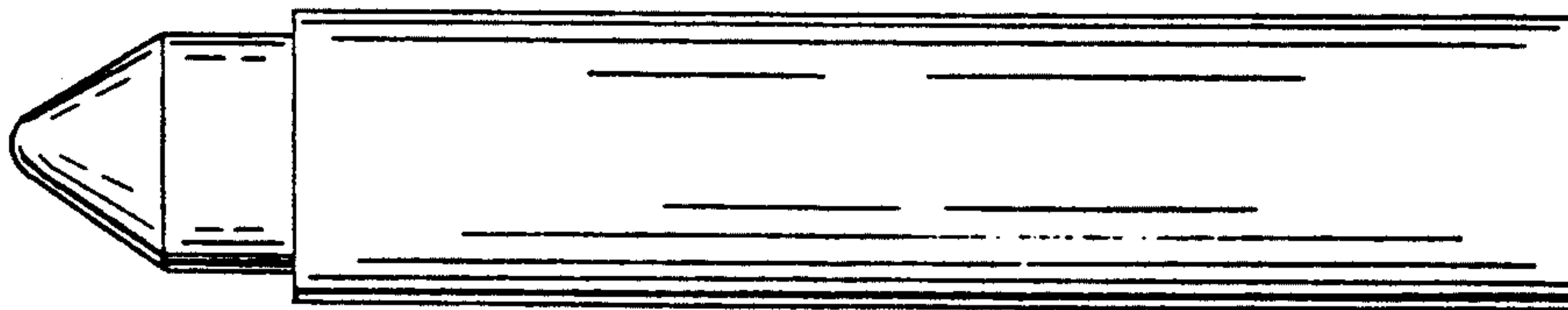


FIG. 2.



FIG. 3.

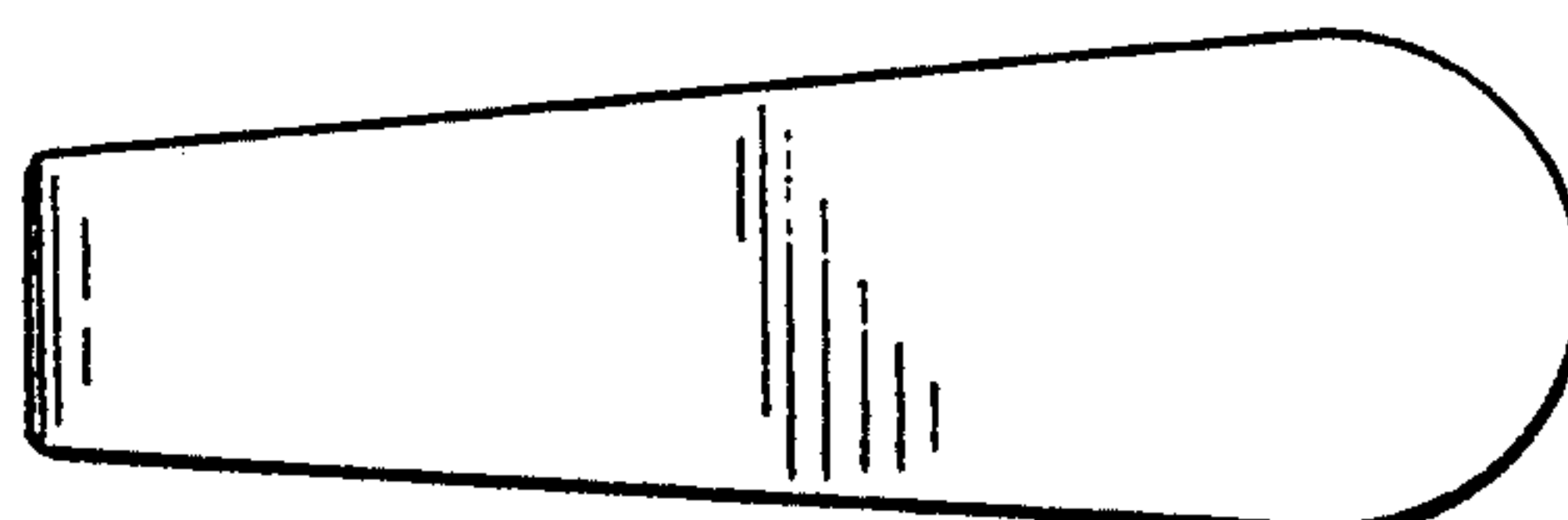


FIG. 4.

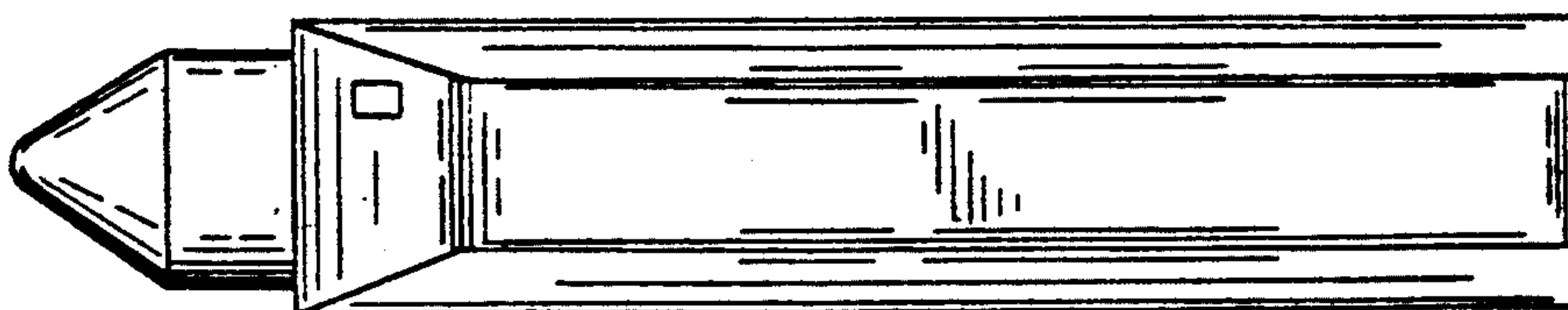


FIG. 5.

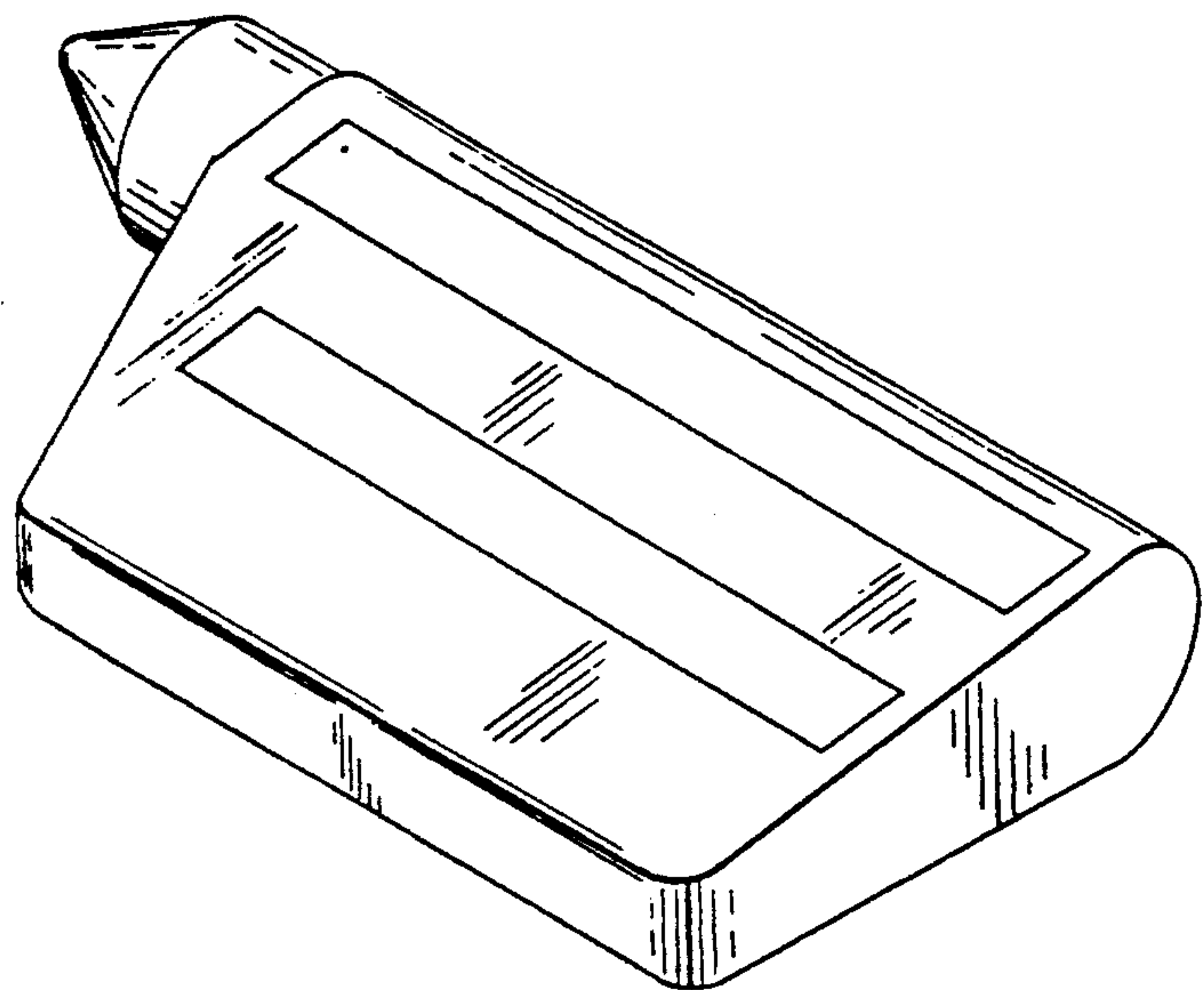


FIG. 6.

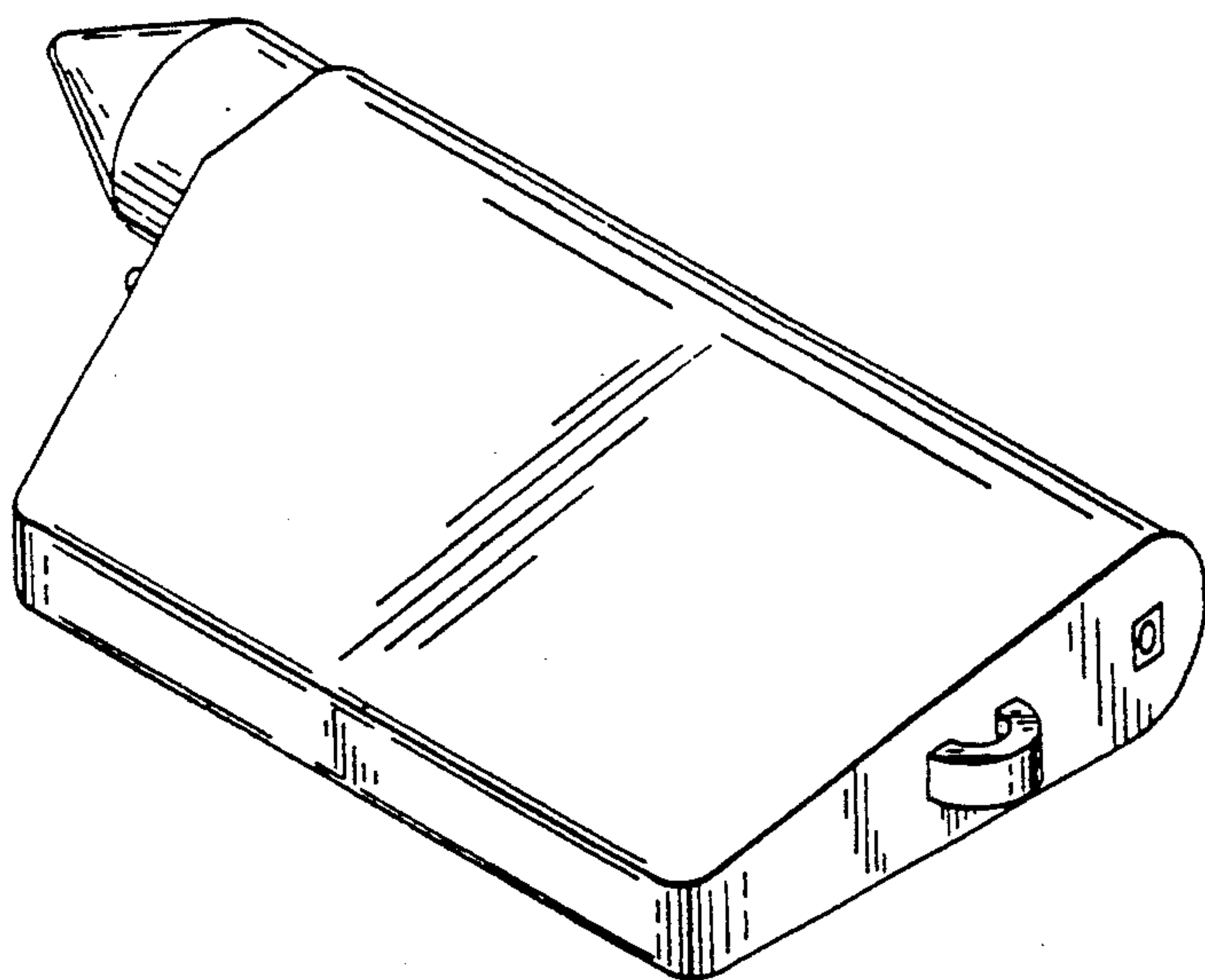


FIG. 7.

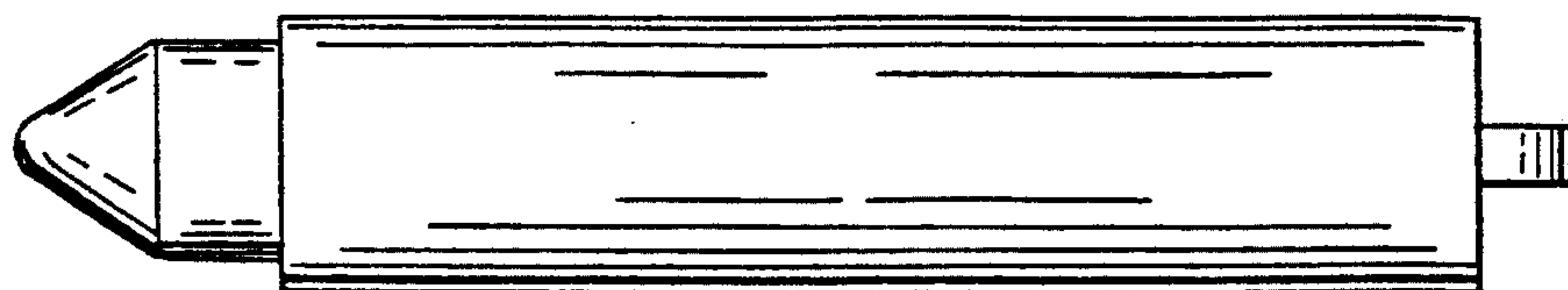


FIG. 8.

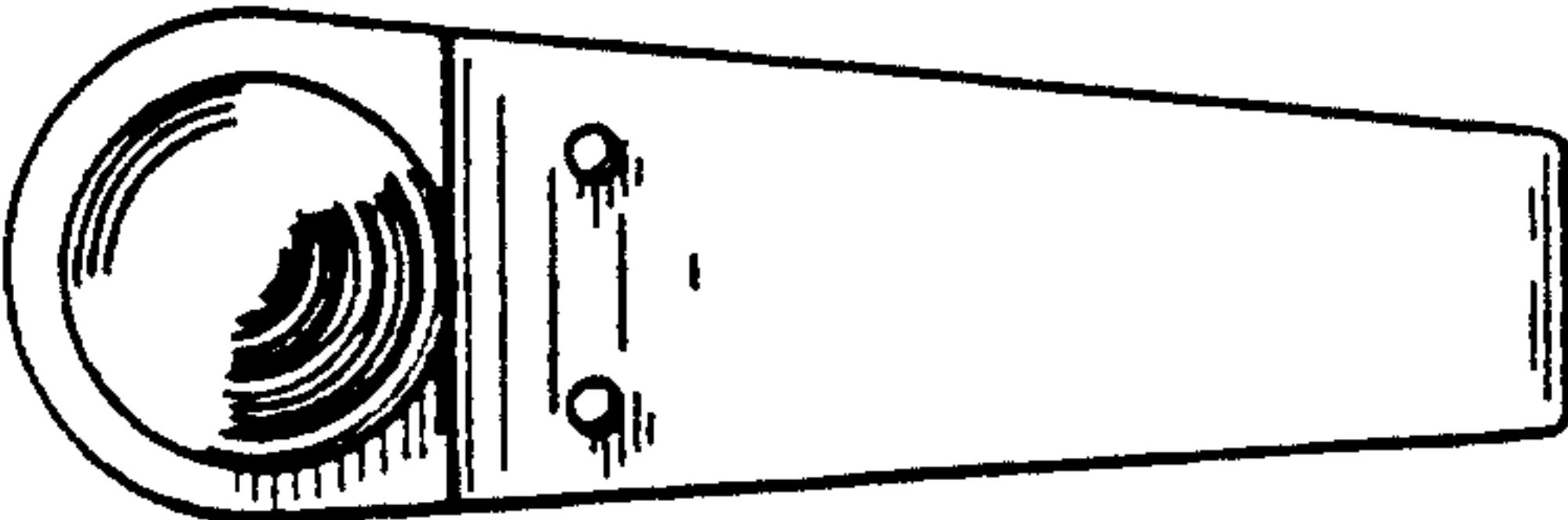


FIG. 9.

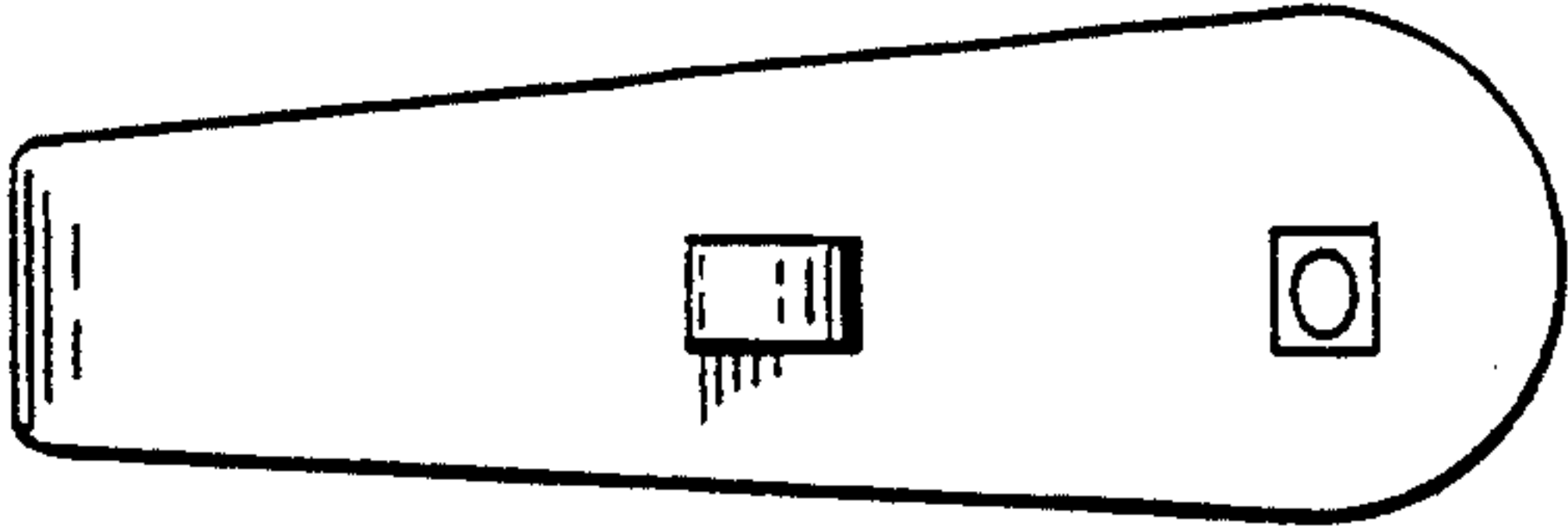


FIG. 10.

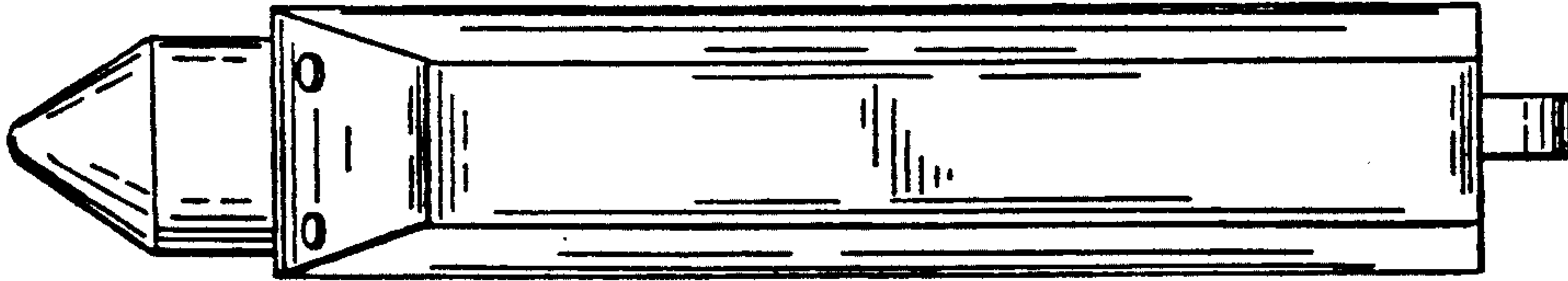


FIG. 11.