



US00D346160S

United States Patent [19]

[11] Patent Number: Des. 346,160

Nagase et al.

[45] Date of Patent: ** Apr. 19, 1994

[54] SPRING FOR MAGNETIC HEAD

[75] Inventors: **Fumio Nagase**, Tokyo; **Kazuhiko Inoue**, Hoya; **Hidetoshi Kabasawa**, Tokyo, all of Japan

[73] Assignee: **Teac Corporation**, Tokyo, Japan

[**] Term: **14 Years**

[21] Appl. No.: **789,157**

[22] Filed: **Nov. 6, 1991**

[30] Foreign Application Priority Data

May 8, 1991 [JP] Japan 13197

[52] U.S. Cl. **D14/114; D14/299**

[58] Field of Search 360/81-86,
360/102, 103, 119-123, 133-136; D14/114,
299, 109, 217, 222

[56] References Cited

U.S. PATENT DOCUMENTS

4,625,249 11/1986 Iwata 360/104
4,651,245 3/1987 Kanno 360/104 X
4,835,642 5/1989 Furukawa et al. 360/104 X

OTHER PUBLICATIONS

“89 Electronic Parts Catalog Index”, published Oct. 6, 1988, p. 115, Item No. HFBKF $\frac{3}{4}$ and HFBKE $\frac{3}{4}$.

“89 Electronic Parts Catalog”, published by Electronic Industries Association of Japan, Oct. 6, 1988; p. 183; 3rd Magnetic head From Top.

Primary Examiner—Bernard Ansher

Assistant Examiner—M. Siegel

Attorney, Agent, or Firm—Michael N. Meller

[57] CLAIM

The ornamental design of a spring for magnetic head, as shown.

DESCRIPTION

FIG. 1 is a front elevational view of spring for magnetic head showing our new design. The rear view is identical with the front view;

FIG. 2 is a top plan view thereof;

FIG. 3 is a left side elevational view thereof. The right side view is symmetrical with the left side view;

FIG. 4 is a bottom plan view thereof; and,

FIG. 5 is a perspective view thereof.

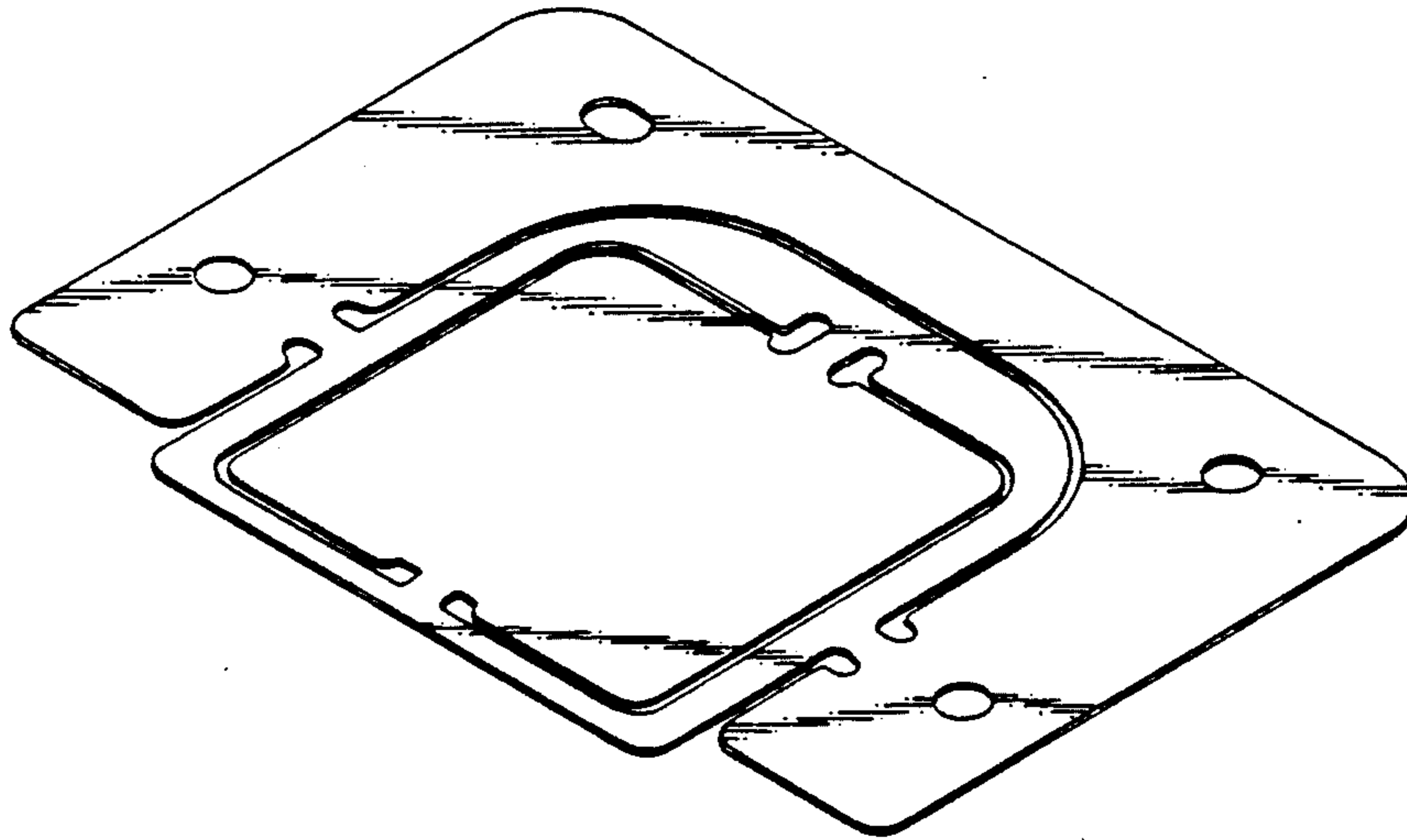


FIG.1

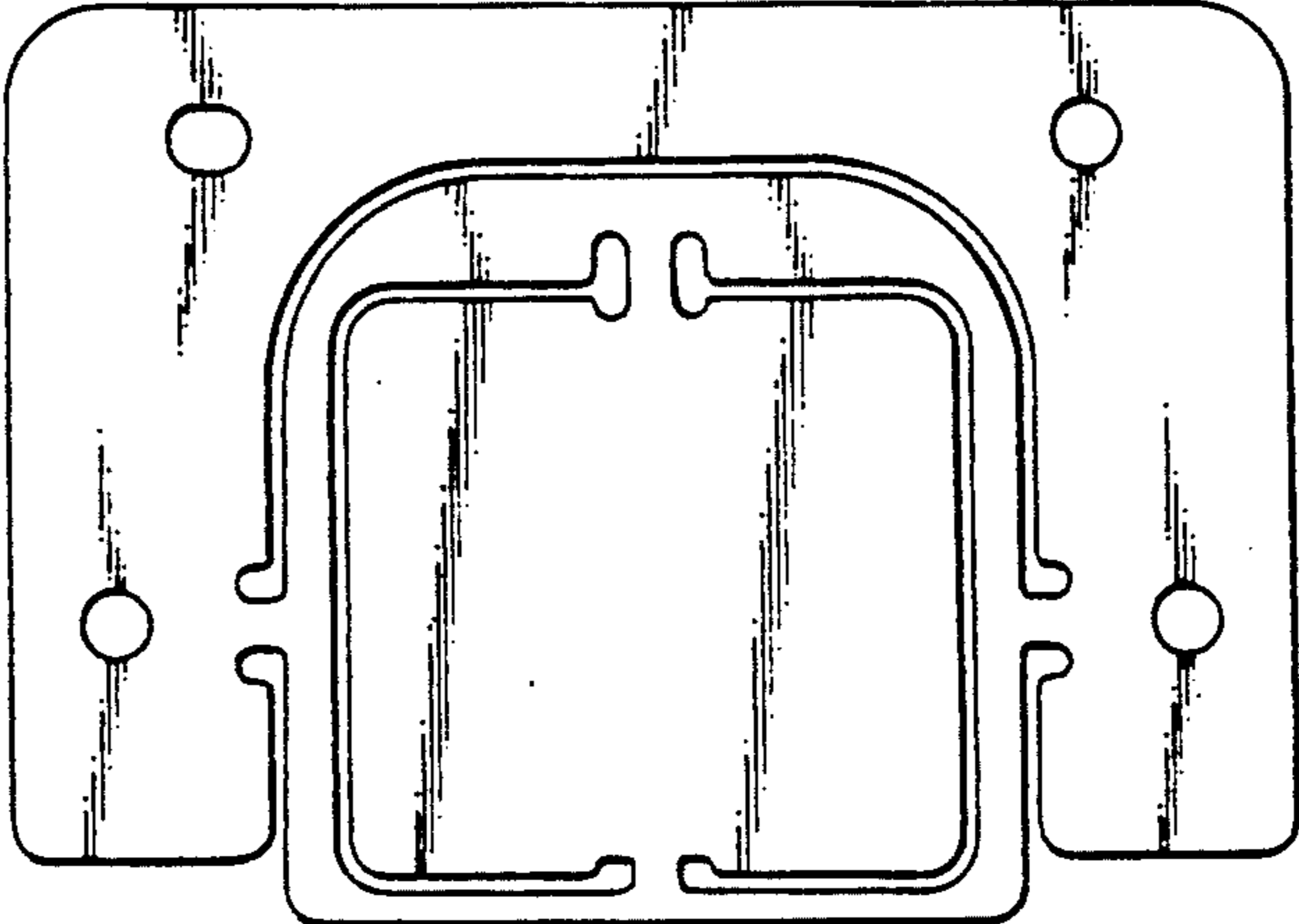


FIG.2



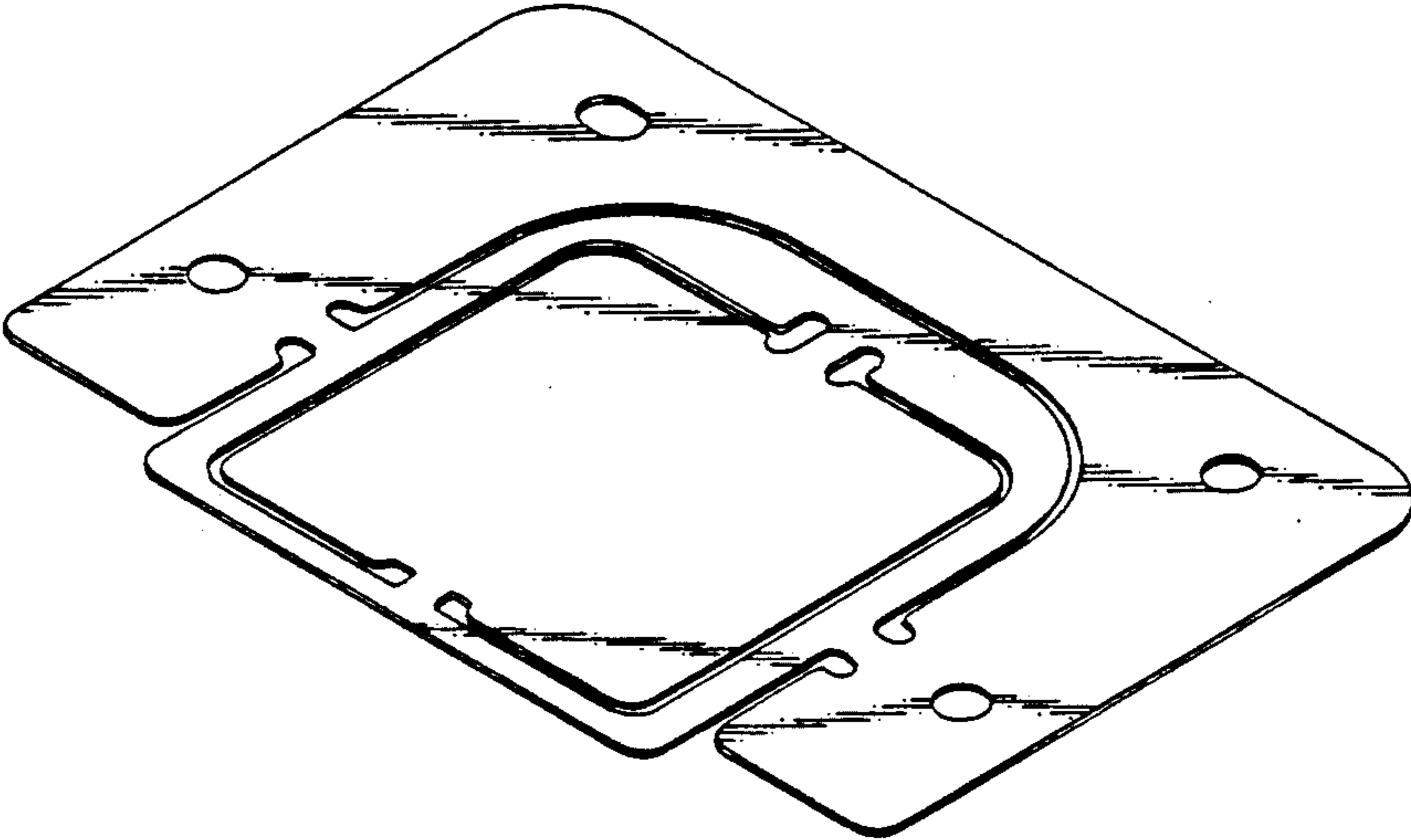
FIG.3



FIG.4



FIG.5



UNITED STATES PATENT AND TRADEMARK OFFICE
CERTIFICATE OF CORRECTION

PATENT NO. : DES. 346,160
DATED : April 19, 1994
INVENTOR(S) : NAGASE, et al

It is certified that error appears in the above-identified patent and that said Letters Patent is hereby corrected as shown below:

Title Page left column, under item[30]
"13197" to read -- 13197/1991 --

Signed and Sealed this
Sixth Day of September, 1994

Attest:



BRUCE LEHMAN

Attesting Officer

Commissioner of Patents and Trademarks