



US00D346155S

# United States Patent [19]

[11] Patent Number: **Des. 346,155**

More

[45] Date of Patent: **\*\* Apr. 19, 1994**

[54] **COMBINED ELECTRONIC COMPONENT RACK AND ENCLOSURE**

[57] **CLAIM**

The ornamental design for a combined electronic component rack and enclosure, as shown and described.

[76] Inventor: **Grinnell More, P.O. Box 270, Dublin, N.H. 03444**

### DESCRIPTION

[\*\*] Term: **14 Years**

FIG. 1 is a top front perspective view of a combined electronic component rack and enclosure showing my new design;

[21] Appl. No.: **661,448**

FIG. 2 is a front and upper right perspective view thereof with the doors open. The broken line showing of side panels and a rear panel are included for the purpose of illustrating environmental elements only and neither forms a part of the claimed design;

[22] Filed: **Feb. 26, 1991**

[52] U.S. Cl. .... **D13/184**

[58] Field of Search ..... 361/334, 356, 383, 390, 361/391, 395, 399, 415; 220/334; D13/160, 162, 182, 184; D14/240

FIG. 3 is a front and lower left perspective view thereof with the doors open. The broken line showing of one side panel and a rear panel is included for the purpose of illustrating environmental elements only and form no part of the claimed design;

### [56] References Cited

#### U.S. PATENT DOCUMENTS

D. 288,804	3/1987	Hakanen	.....	D13/182
3,305,703	2/1967	Hinzen	.....	361/334
4,245,742	1/1981	Rossmo	.....	220/334 X
5,063,475	11/1991	Balan	.....	361/383 X

FIG. 4 is a top, front perspective view thereof shown in use. The broken line showing of the mobile robot base is included for the purpose of illustrating environmental elements only and forms no part of the claimed design;

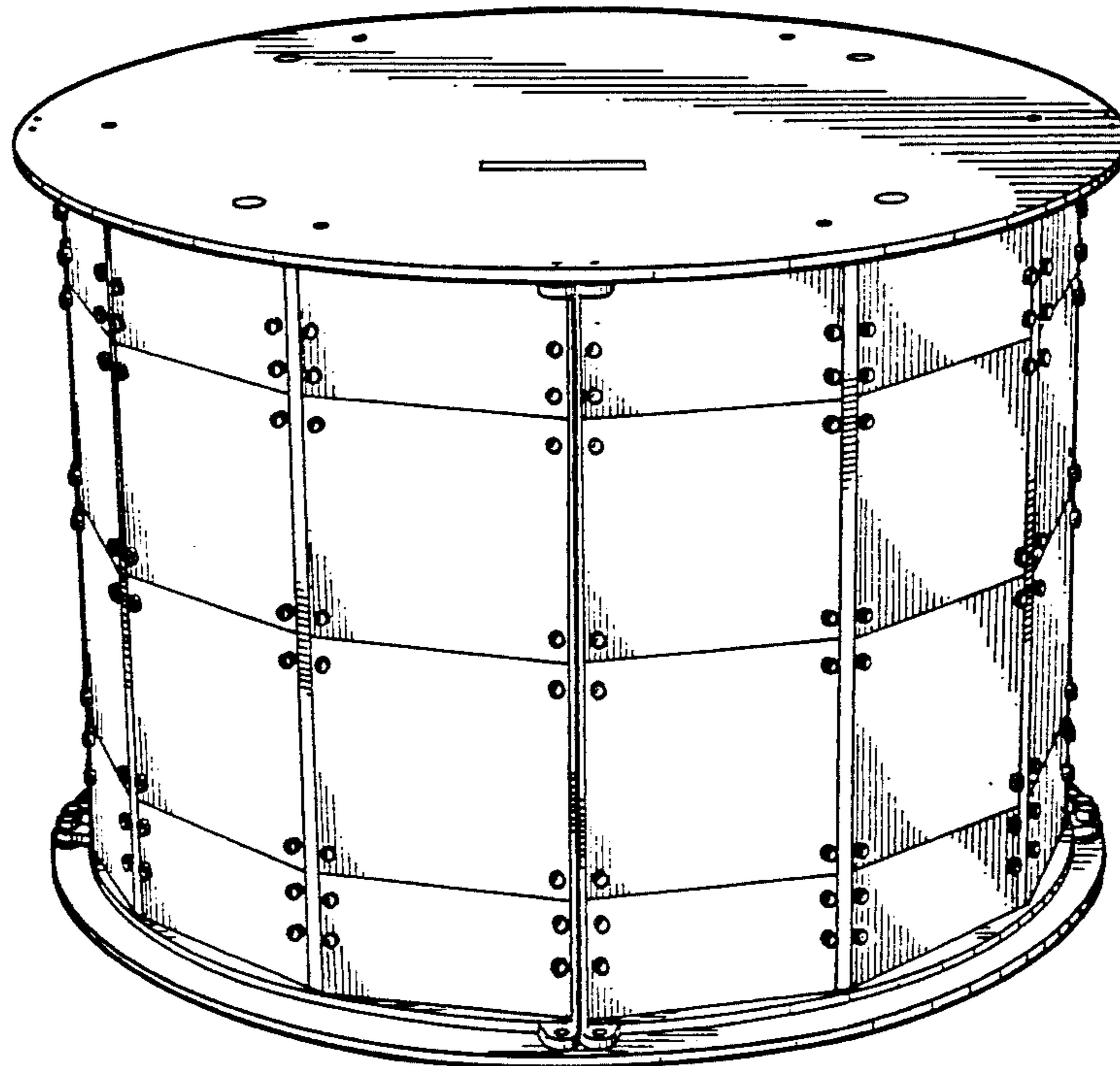
#### OTHER PUBLICATIONS

Powerstat line connector on p. 3 of Stabiline Bulletin SVC1281-1.

FIG. 5 is a cross-sectional view thereof taken along the horizontal plane of line 5-5 in FIG. 4. The broken line showing of a side panel component enclosure is included for the purpose of illustrating environmental elements only and forms no part of the claimed design; and,

*Primary Examiner*—Wallace R. Burke  
*Assistant Examiner*—Joel Sincavage  
*Attorney, Agent, or Firm*—George W. Dishong

FIG. 6 is a rear and lower left perspective view thereof with the doors open. The broken line showing of side panels, a rear panel and a side panel component enclosure each of which are included for the purpose of illustrating environmental elements only and neither forms a part of the claimed design.



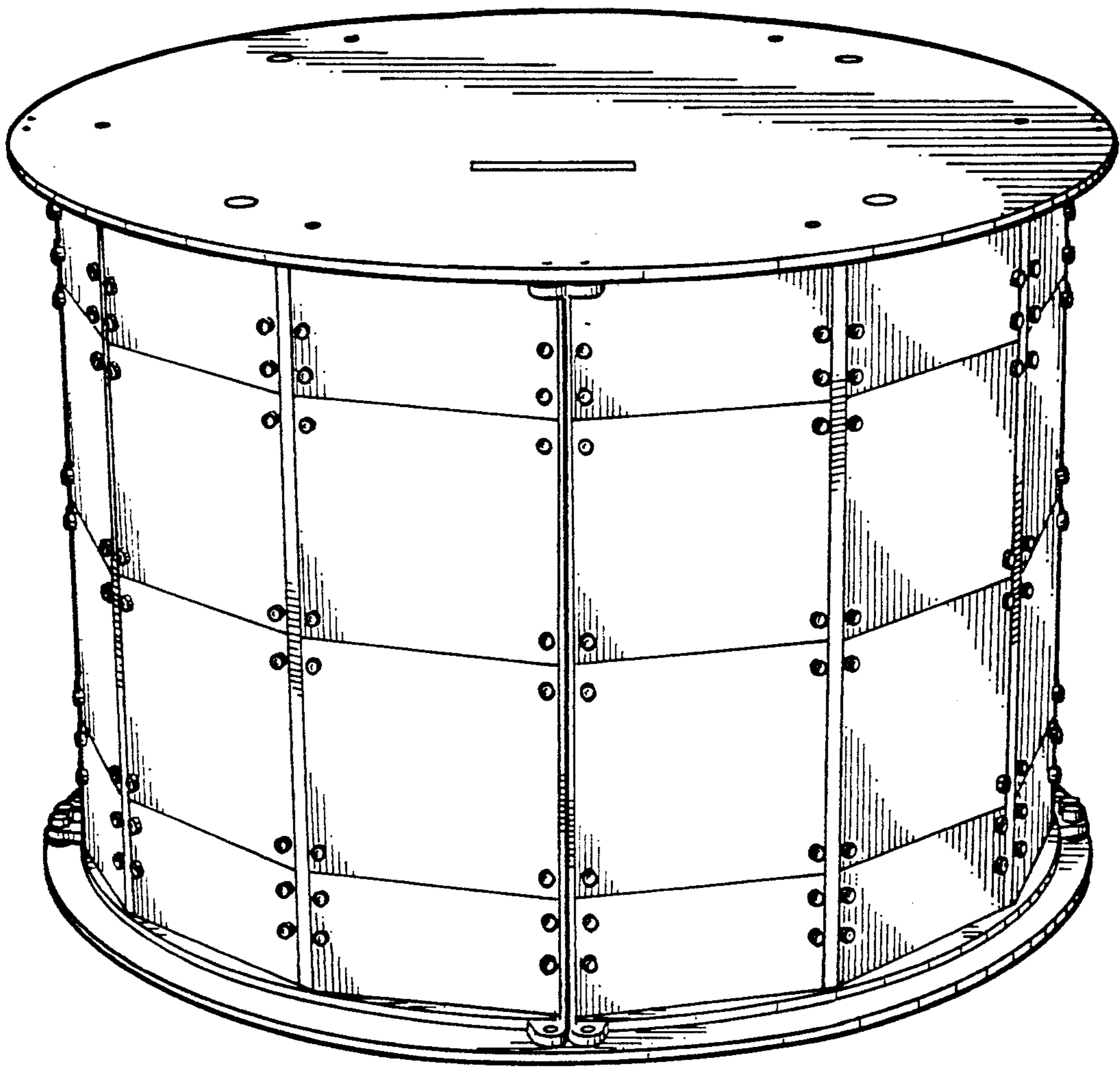


FIG. 1

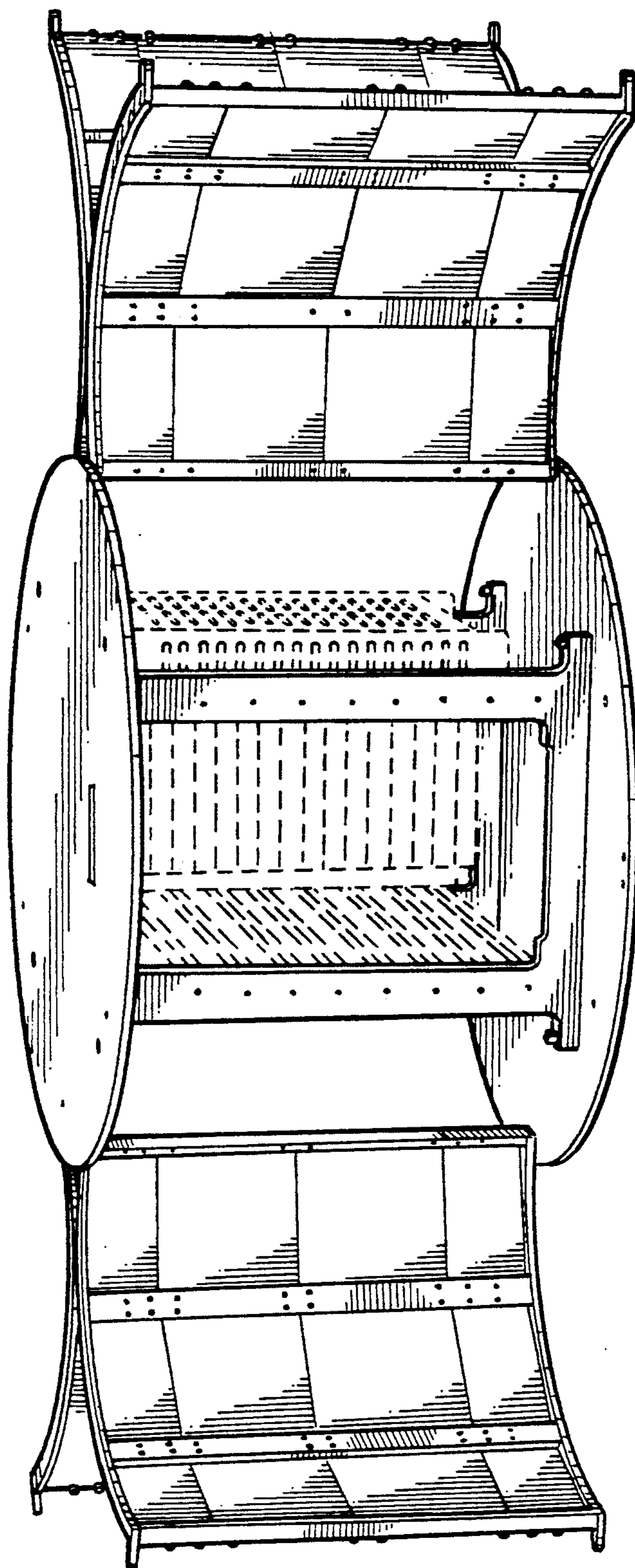


FIG. 2

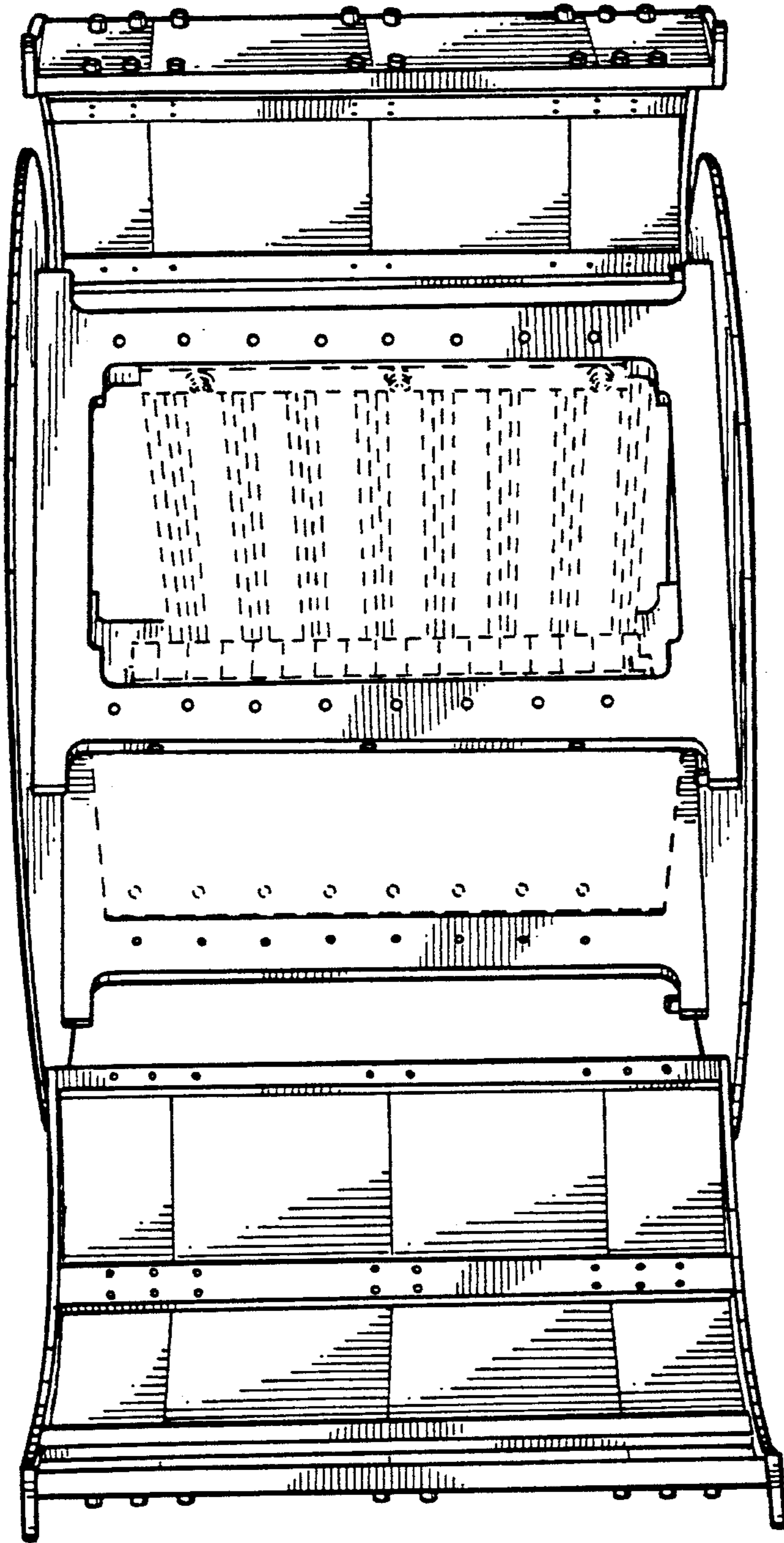


FIG. 3

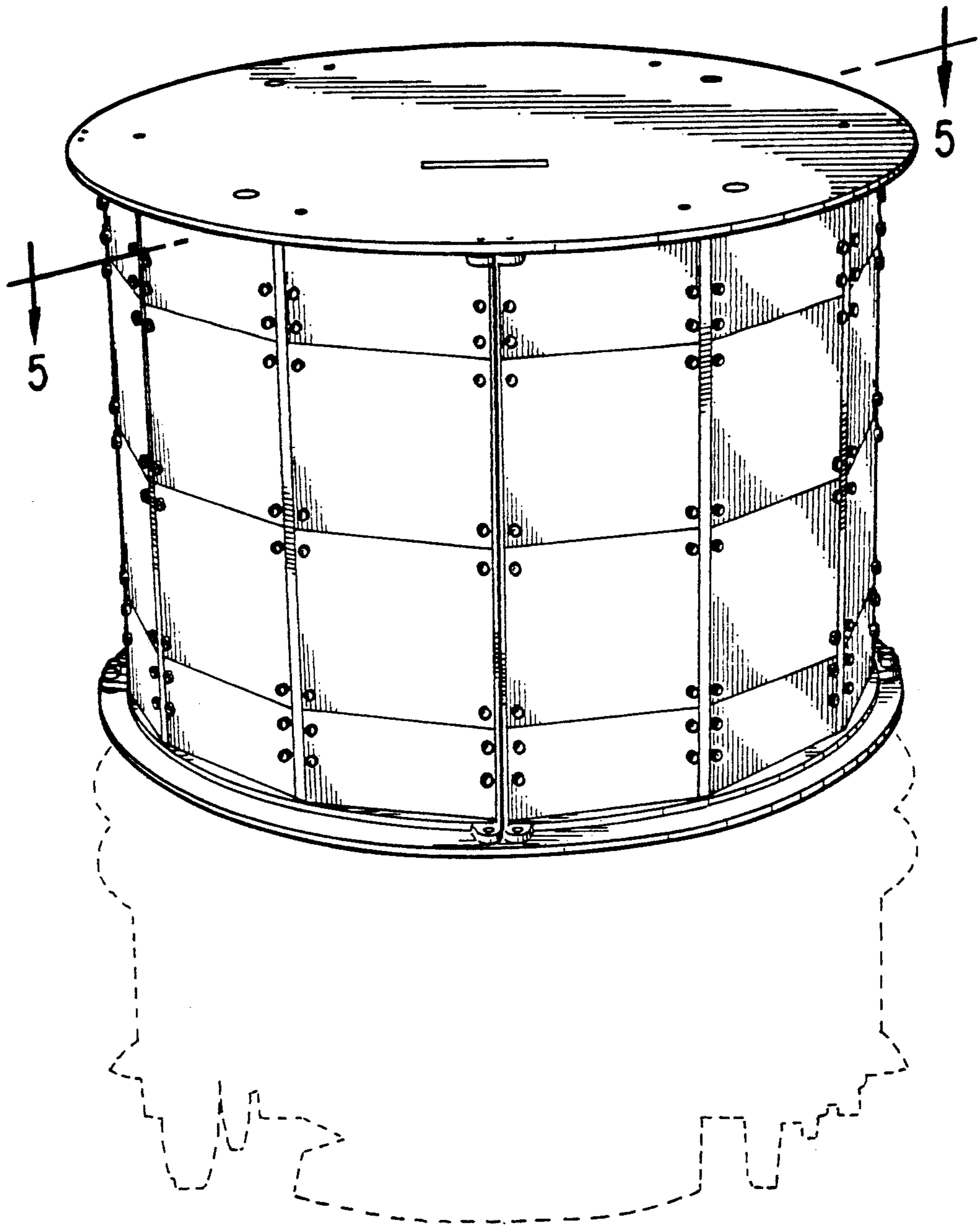


FIG. 4

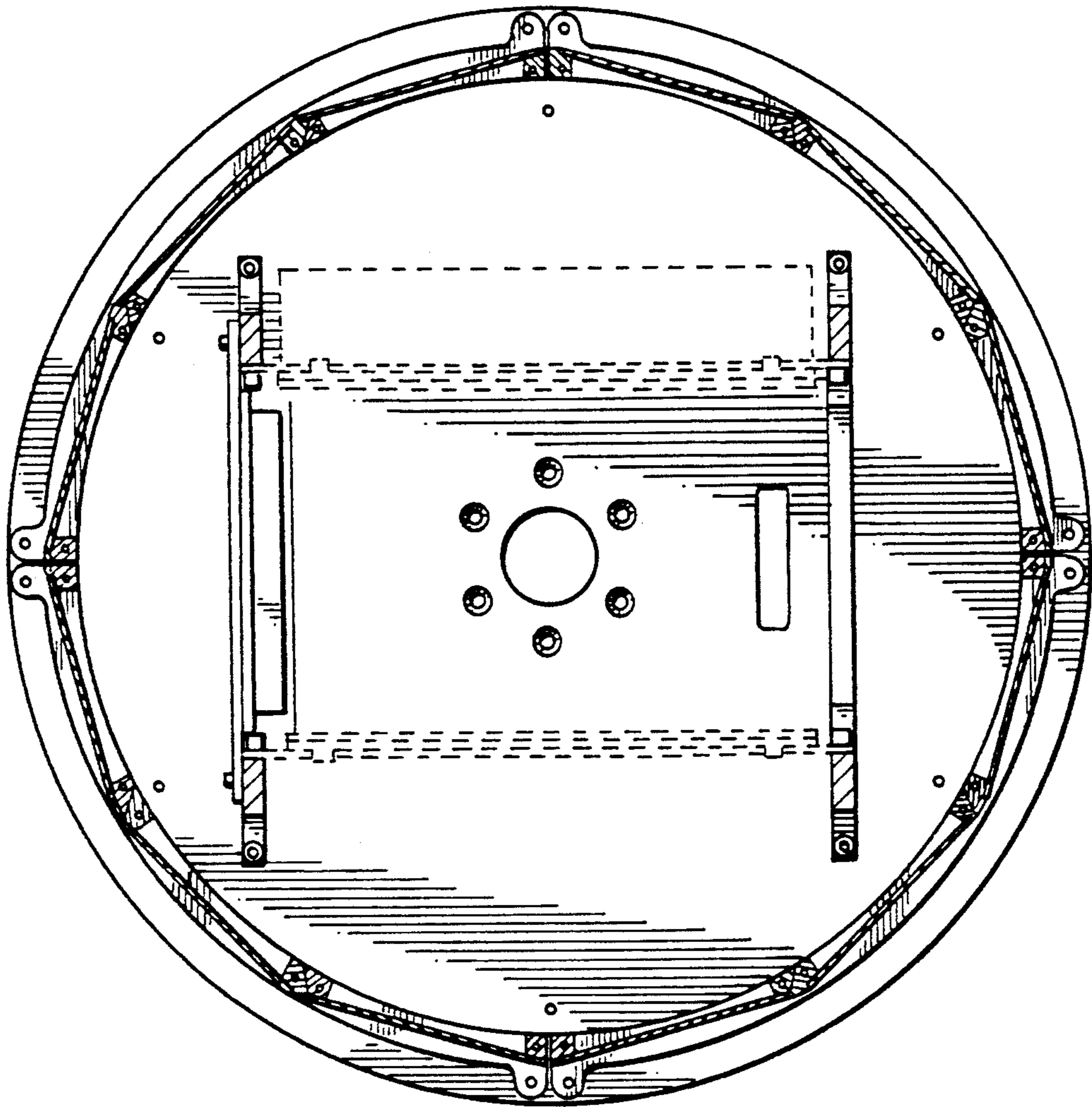


FIG. 5

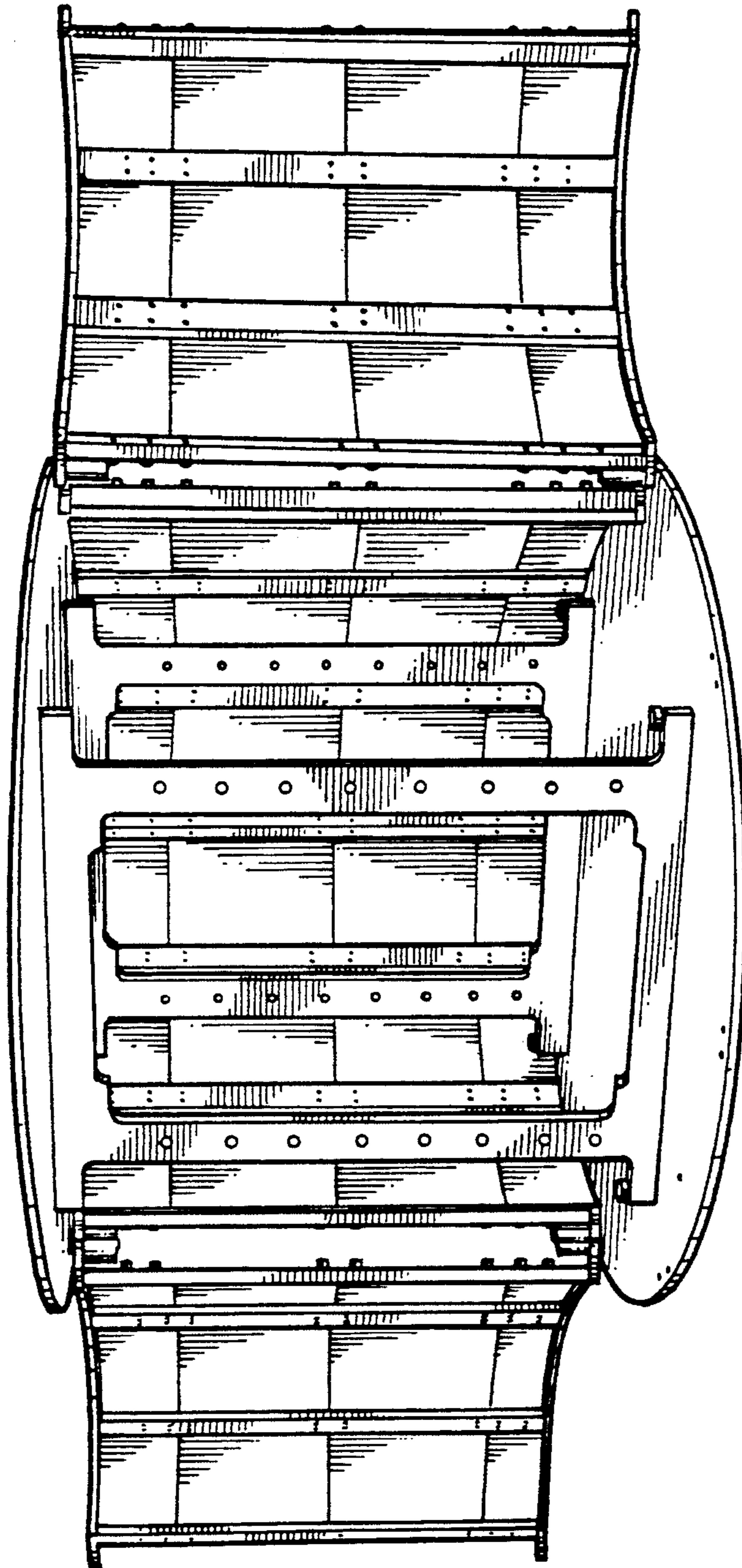


FIG. 6