



US00D346153S

United States Patent [19]

[11] Patent Number: **Des. 346,153**

Moseley, III

[45] Date of Patent: **** Apr. 19, 1994**

[54] CHILDREN'S LIGHT SWITCH

[76] Inventor: **Lehman A. Moseley, III, 6005 Ashwood Rd., Columbia, S.C. 29206**

[**] Term: **14 Years**

[21] Appl. No.: **555**

[22] Filed: **Oct. 19, 1992**

[52] U.S. Cl. **D13/173**

[58] Field of Search **D8/14; 200/331; D13/173**

FOREIGN PATENT DOCUMENTS

0930780 7/1973 Canada 200/331
1242236 9/1988 Canada 200/331

Primary Examiner—Wallace R. Burke
Assistant Examiner—Joel Sincavage
Attorney, Agent, or Firm—S. Michael Bender

[57] CLAIM

The ornamental design for a children's light switch, as shown and described.

[56]

References Cited

U.S. PATENT DOCUMENTS

D. 326,445	5/1992	Enyeart	D13/173
1,572,695	2/1926	Van Amburg et al.	200/331 X
2,598,310	5/1952	Schaser	200/331 X
2,726,303	12/1955	Berndsen	200/331
3,121,778	2/1964	Sander et al.	200/331
3,576,515	4/1971	Frantz	361/391
3,581,037	5/1971	Schiffelbein	200/331
4,567,337	1/1986	Woods, I et al.	200/331
5,046,143	9/1991	Uher	200/331

DESCRIPTION

FIG. 1 is a front elevational view of the children's light switch showing my new design; FIG. 2 is a rear elevational view thereof; FIG. 3 is a left side elevational view thereof; FIG. 4 is a right side elevational view thereof. The broken line showing of the switch outlet box is included for the purpose of illustrating environmental elements only and forms no part of the claimed design; FIG. 5 is a top plan view thereof; and, FIG. 6 is a bottom plan view thereof.

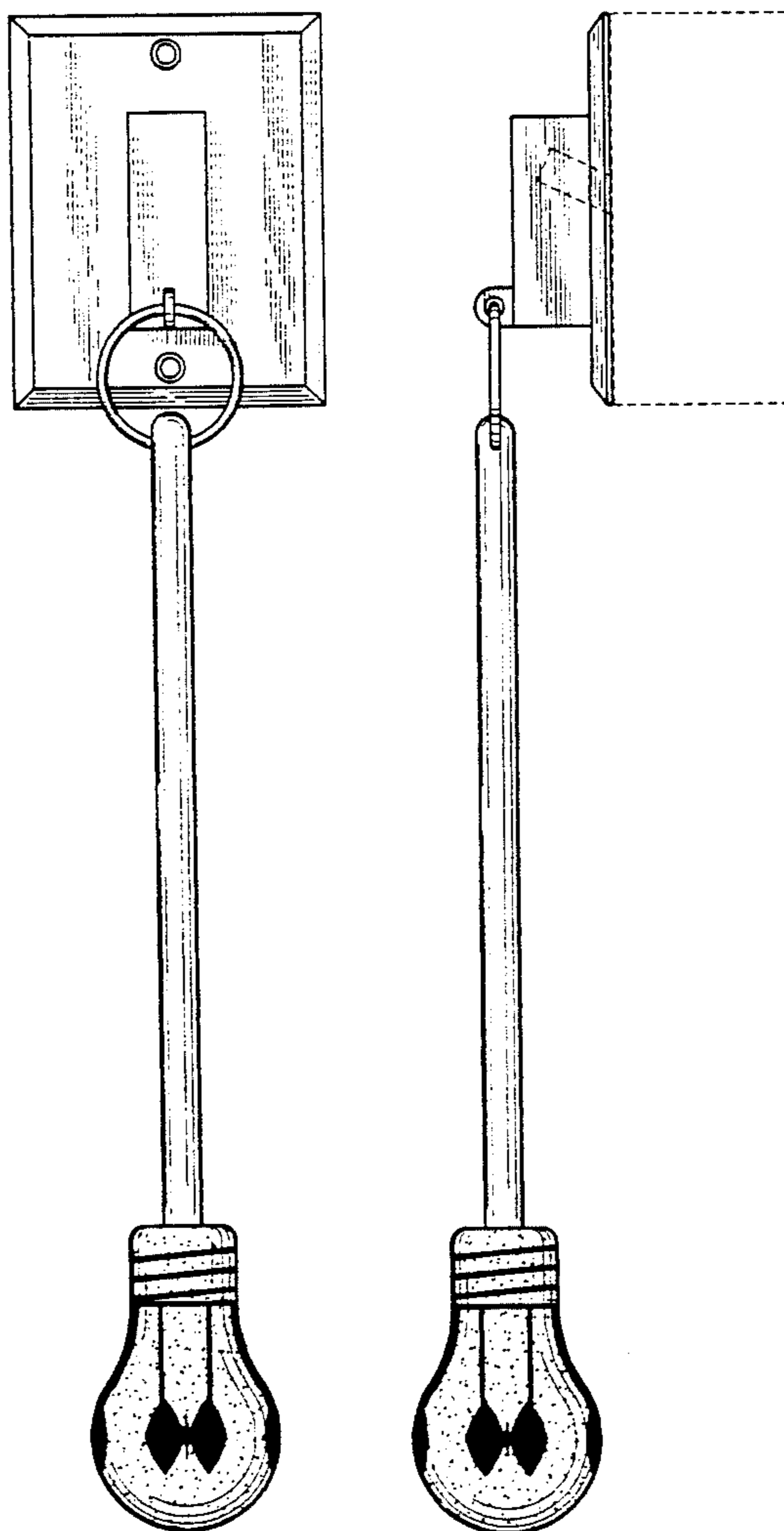


FIG. 1

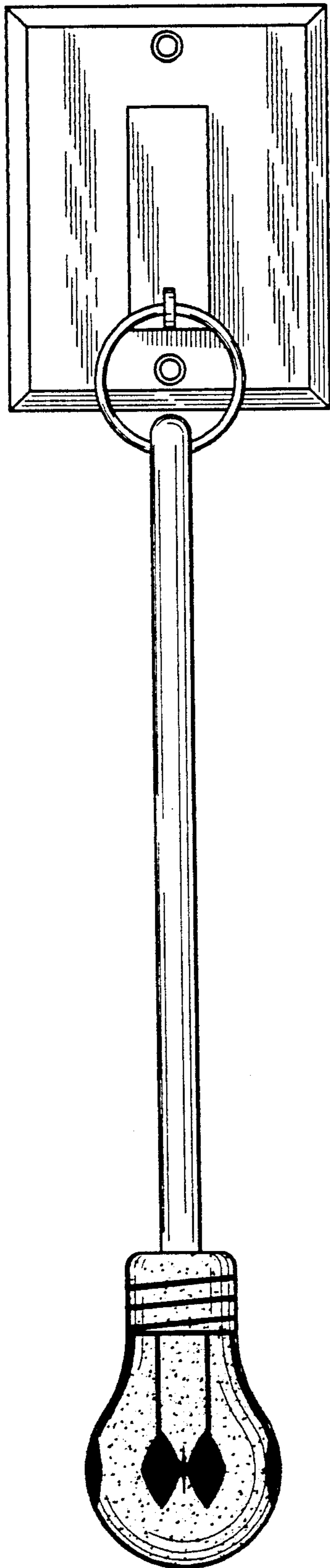


FIG. 2

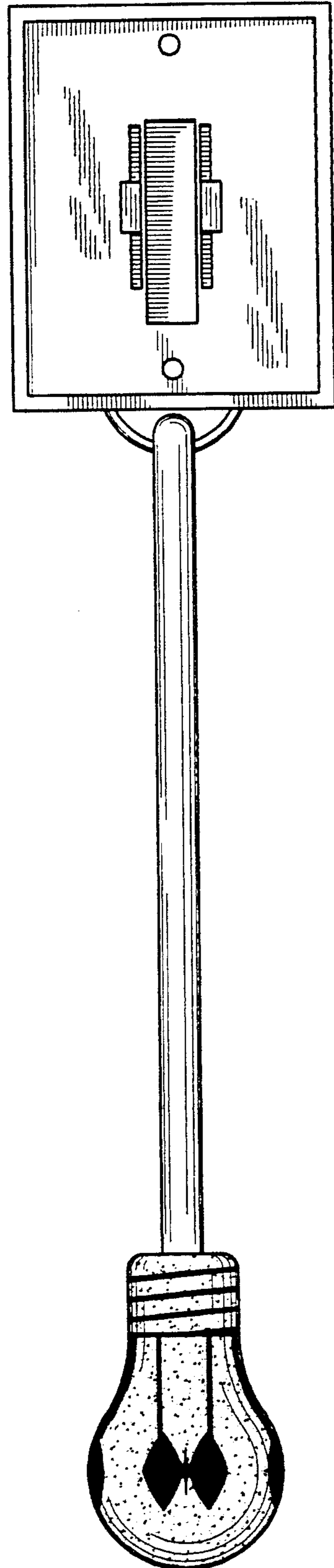


FIG. 3

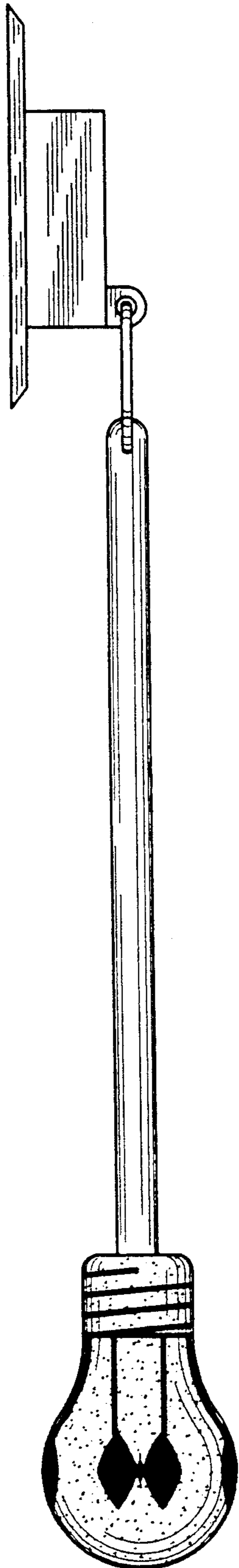


FIG. 4

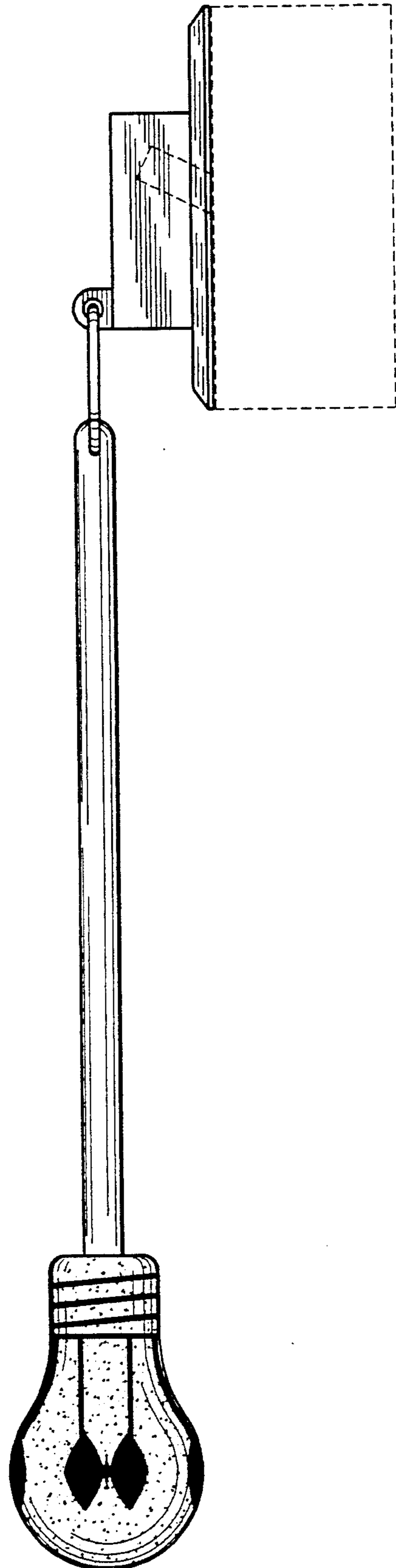


FIG. 5

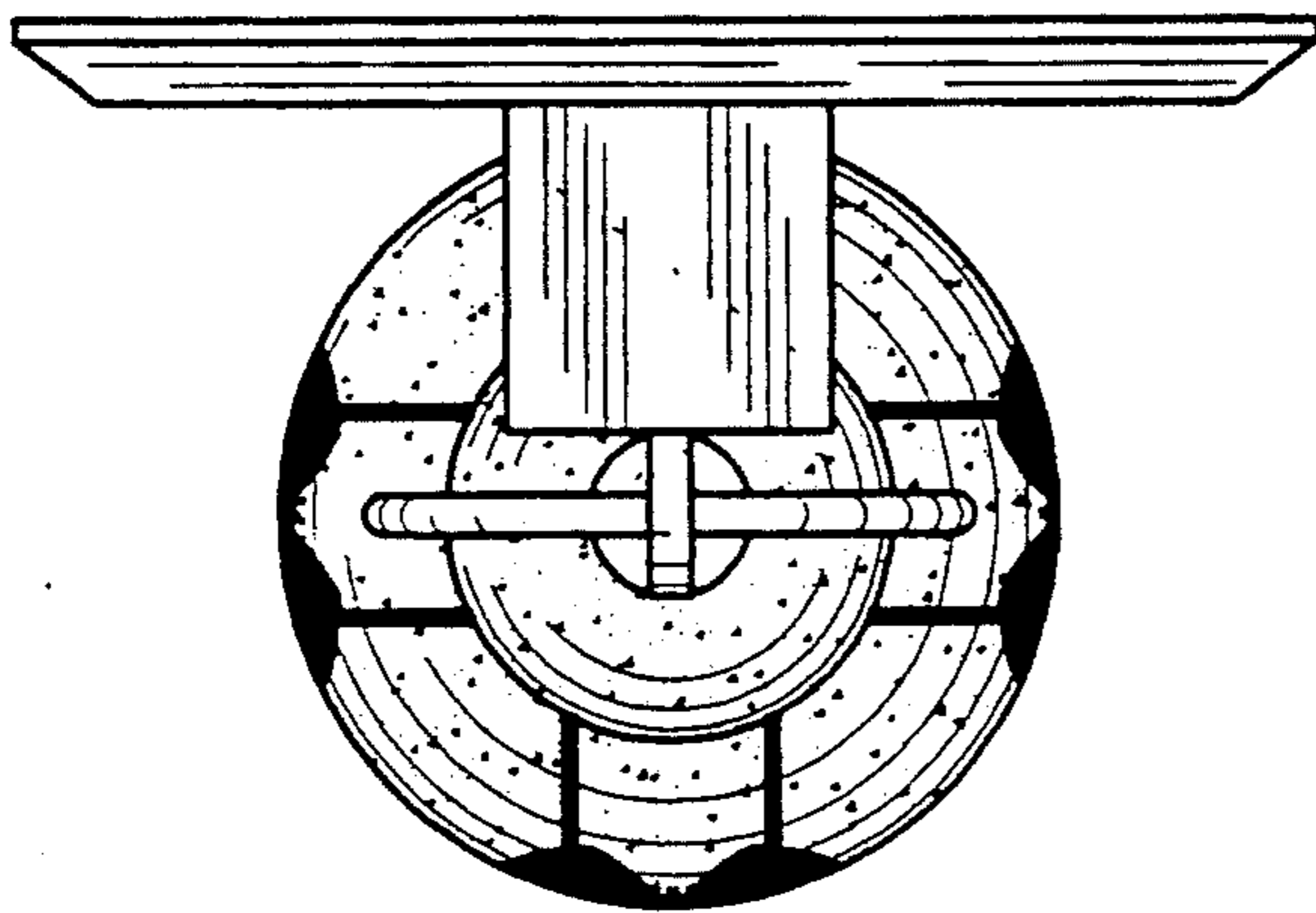


FIG. 6

