



US00D346149S

# United States Patent [19]

[11] Patent Number: **Des. 346,149**

Deering

[45] Date of Patent: **\*\* Apr. 19, 1994**

[54] **LIGHTED BOOSTER CABLES**

4,759,728	7/1988	Cobb .....	439/504
4,897,044	1/1990	Rood .....	439/504
4,938,712	7/1990	Black .....	439/504

[76] Inventor: **Charles Deering, 408 Jones St.,  
Summerville, Ga. 30747**

*Primary Examiner*—Wallace R. Burke  
*Assistant Examiner*—Joel Sincavage  
*Attorney, Agent, or Firm*—Terry M. Gernstein

[\*\*] Term: **14 Years**

[21] Appl. No.: **770**

[57] **CLAIM**

[22] Filed: **Oct. 26, 1992**

The ornamental design for a lighted booster cables, as shown and described.

[52] U.S. Cl. .... **D13/120; D26/38**

[58] Field of Search ..... 439/503, 504, 505, 506;  
429/99; D13/119, 120; D26/51, 38

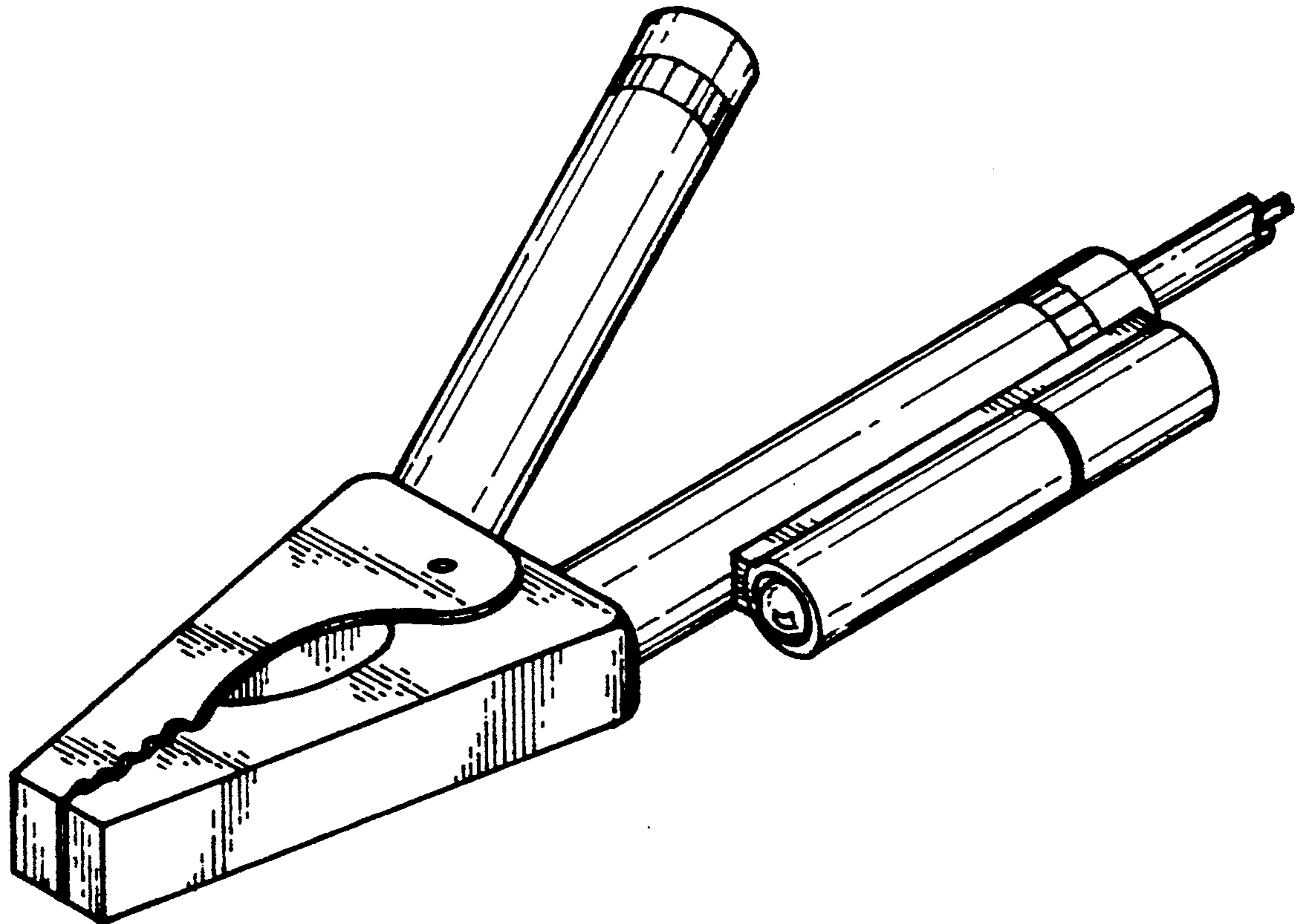
**DESCRIPTION**

[56] **References Cited**

**U.S. PATENT DOCUMENTS**

D. 146,257	1/1947	Erickson .....	D26/51 X
D. 204,014	3/1966	Schwartz .....	D26/51 X
D. 304,928	12/1989	Mize .....	D43/120
D. 329,636	9/1992	Nesiba .....	D13/120
D. 333,121	2/1993	Craveiro .....	D13/120
2,377,161	5/1945	Le Strange et al. ....	429/99 X

FIG. 1 is a front, top and side perspective view of the lighted booster cables showing my new design; FIG. 2 is a front elevational view thereof; FIG. 3 is a rear elevational view thereof; FIG. 4 is a left side elevational view thereof; FIG. 5 is a right side elevational view thereof; and, FIG. 6 is a top plan view thereof, the bottom view being a mirror image of the top view shown in FIG. 6.



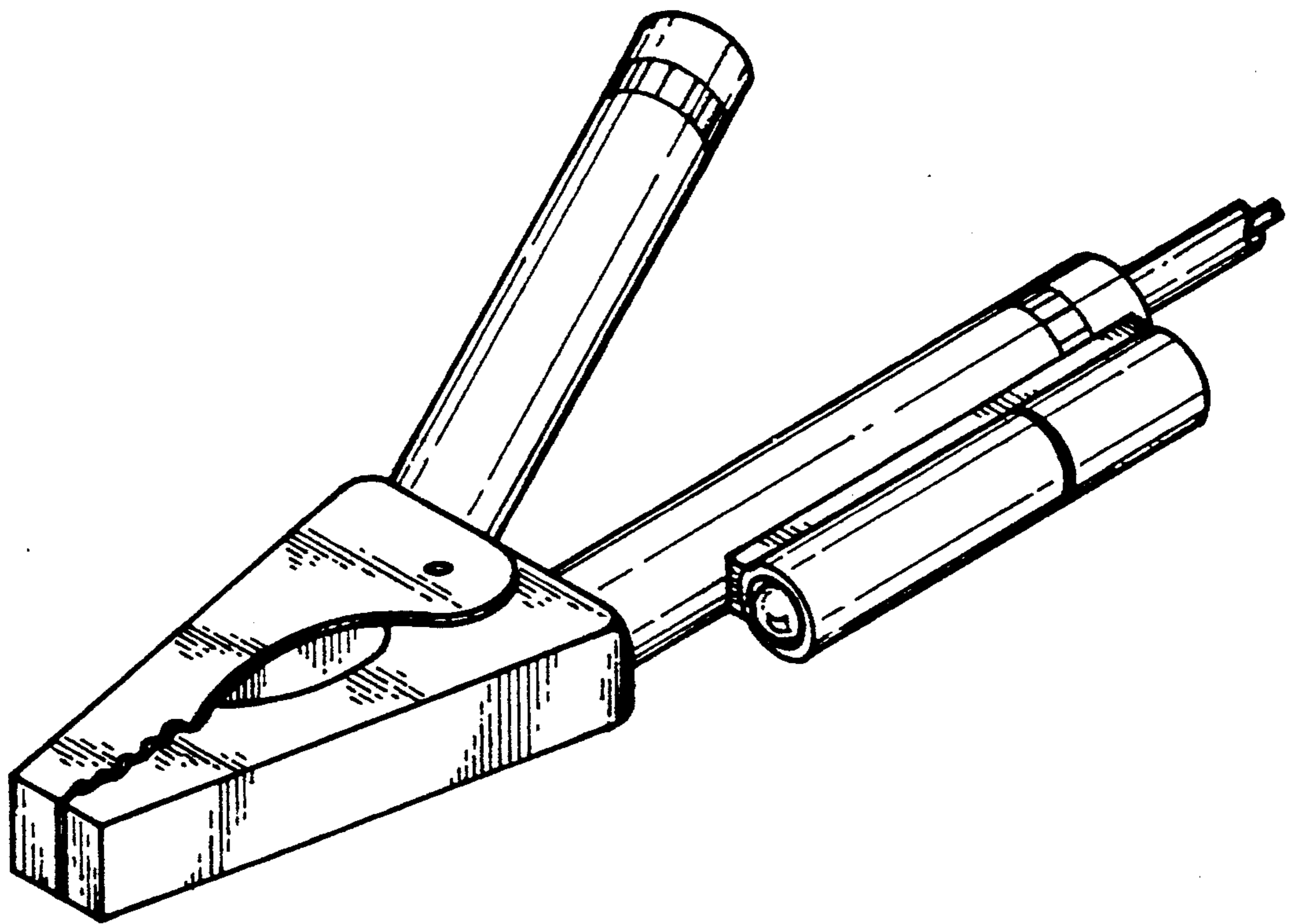


FIG.1



FIG. 2



FIG. 3

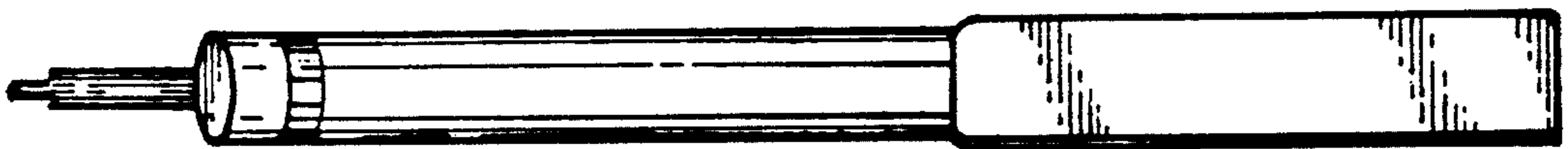


FIG. 4



FIG. 5

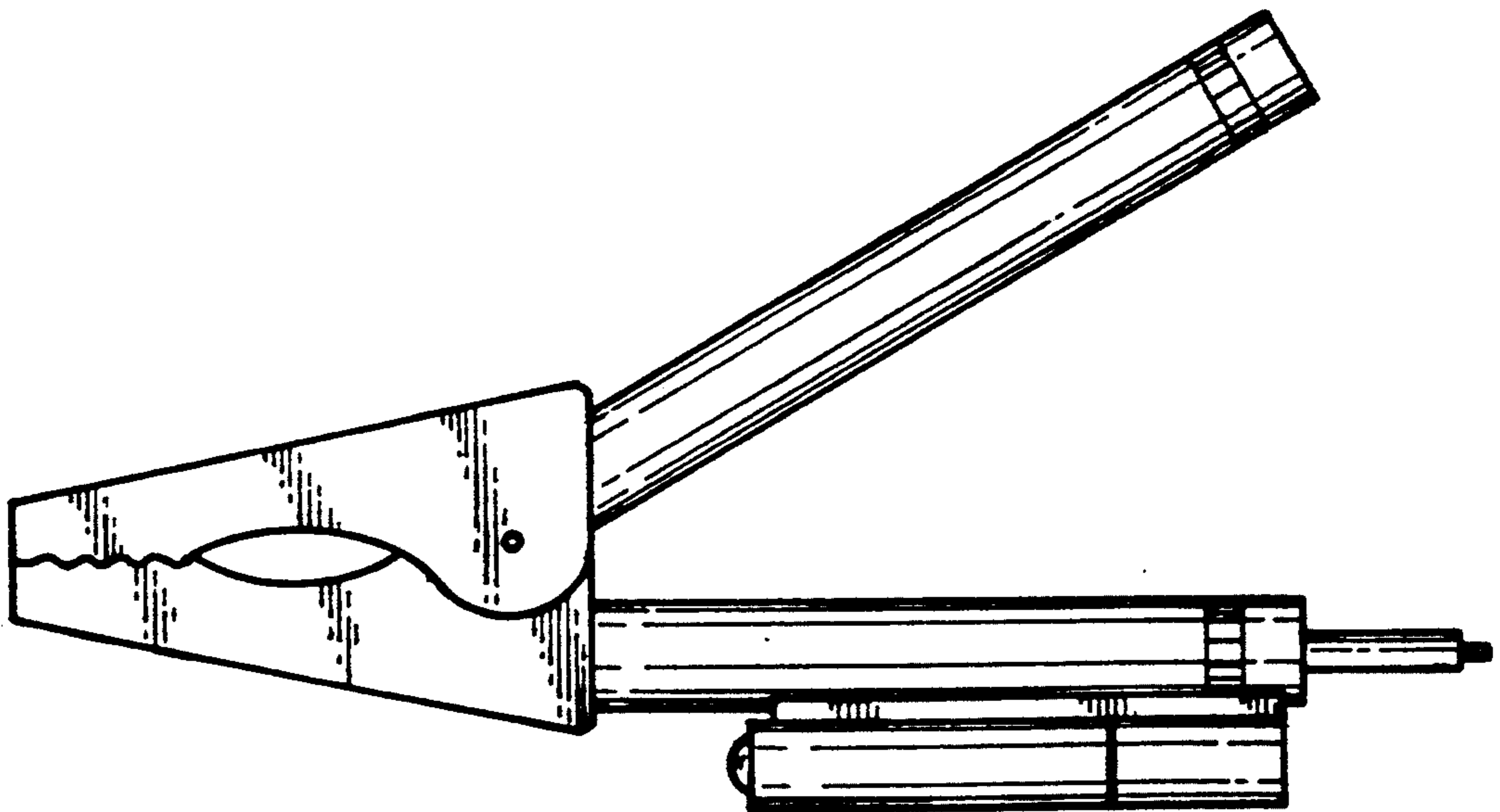


FIG. 6