



US00D346148S

United States Patent [19] Chen

[11] Patent Number: **Des. 346,148**

[45] Date of Patent: **** Apr. 19, 1994**

[54] **COMPUTER POWER SUPPLY SYSTEM**

[76] Inventor: **Ching-Ting Chen**, No. 25, Lane 80,
Ta Hsin Rd., Tan Tzu Hsiang,
Taichung Hsien, Taiwan

[**] Term: **14 Years**

[21] Appl. No.: **5,691**

[22] Filed: **Mar. 9, 1993**

[52] U.S. Cl. **D13/110**

[58] Field of Search 361/18, 638, 725;
307/112, 113, 125, 150, 151; D13/110, 123, 142;
D14/107, 114

[56] **References Cited**

U.S. PATENT DOCUMENTS

- D. 270,530 9/1983 Bowden, Jr. et al. D13/142
- D. 280,318 8/1885 Barone D13/110
- D. 290,844 7/1987 Shibuya et al. D14/107 X
- D. 311,899 11/1990 Lenzing et al. D13/110 X

- D. 314,174 1/1991 Wong D13/123
- D. 339,101 9/1993 Delamoreaux et al. D13/123 X
- 4,996,628 2/1991 Harvey et al. 307/150 X

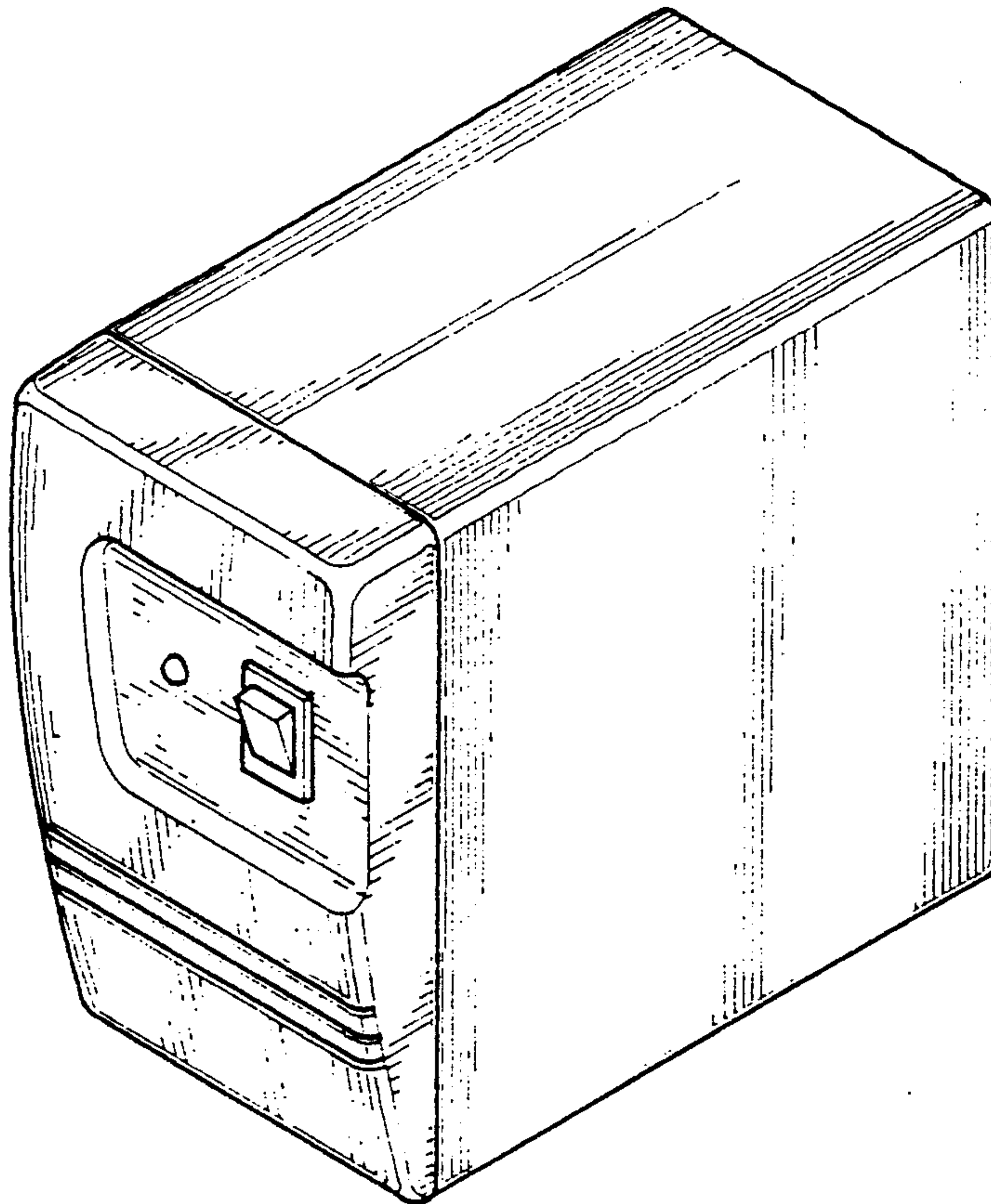
Primary Examiner—Wallace R. Burke
Assistant Examiner—Joel Sincavage
Attorney, Agent, or Firm—Morton J. Rosenberg; David I. Klein

[57] **CLAIM**

The ornamental design for a computer power supply system, as shown and described.

DESCRIPTION

FIG. 1 is a perspective view from the front-left-top side of a computer power supply system showing my design; FIG. 2 is a front elevational view thereof; FIG. 3 is a rear elevational view thereof; FIG. 4 is a left side elevational view thereof; FIG. 5 is a right side elevational view thereof; FIG. 6 is a top plan view thereof; and, FIG. 7 is a bottom plan view thereof.



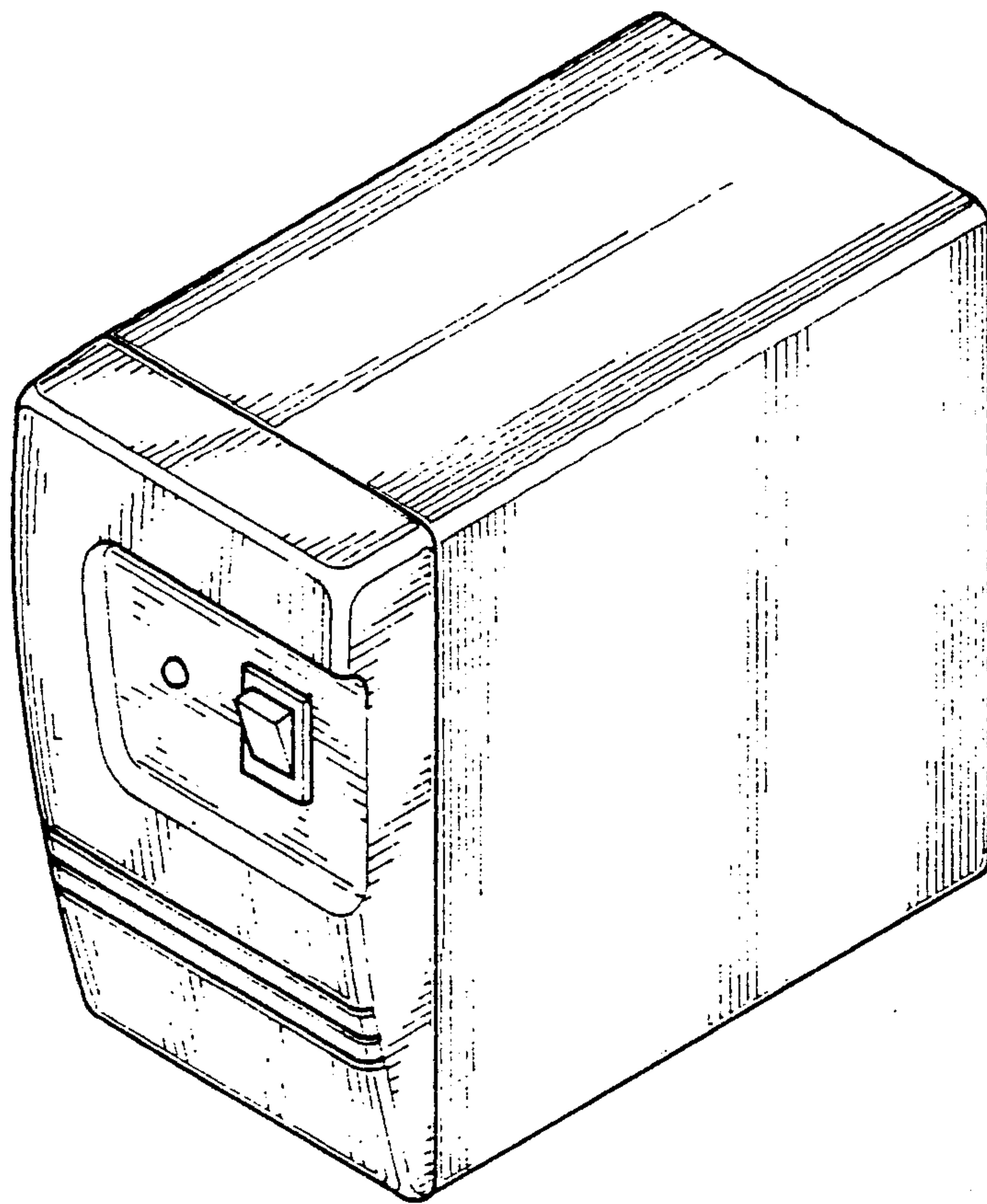


FIG. 1

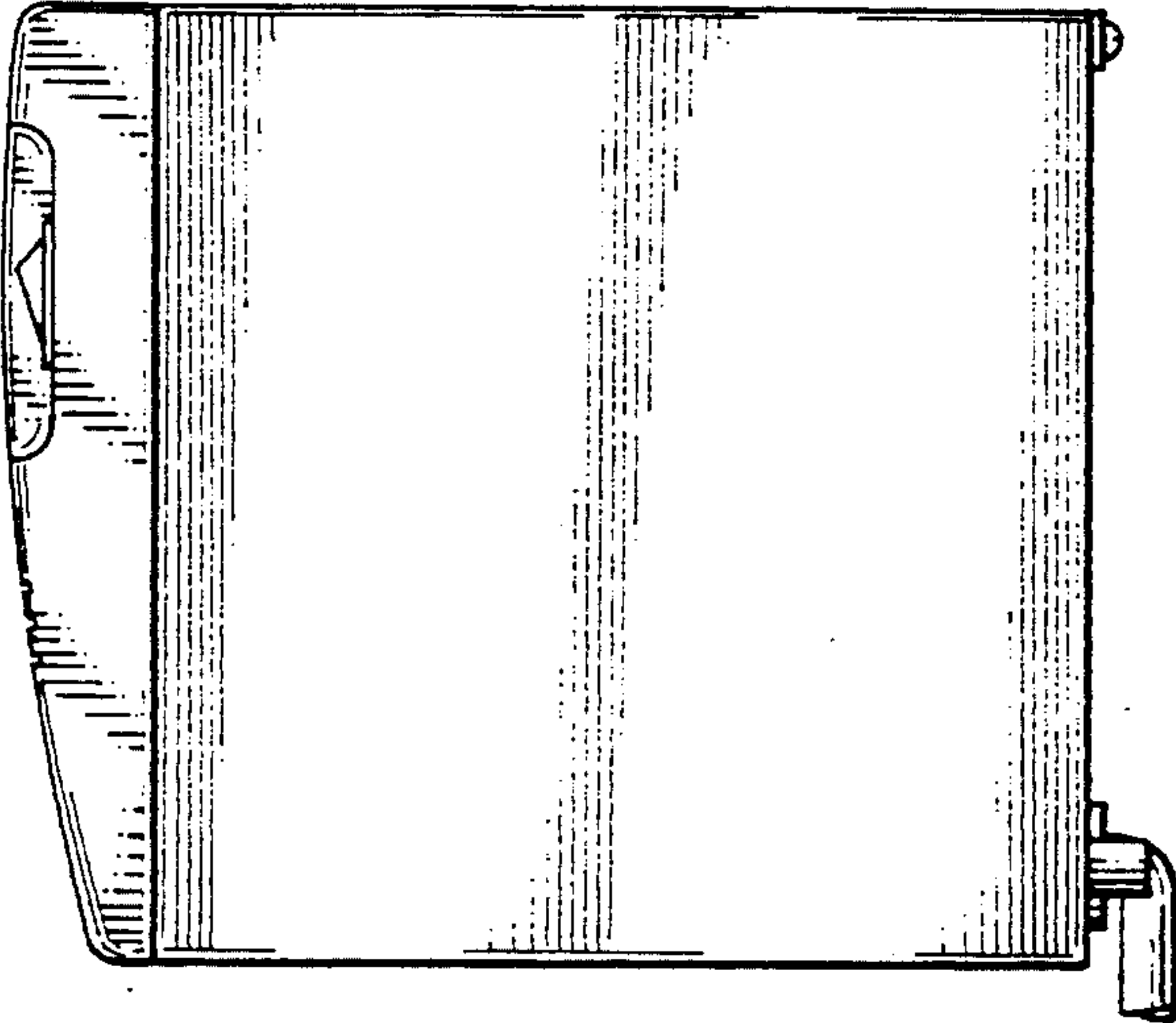


FIG. 2

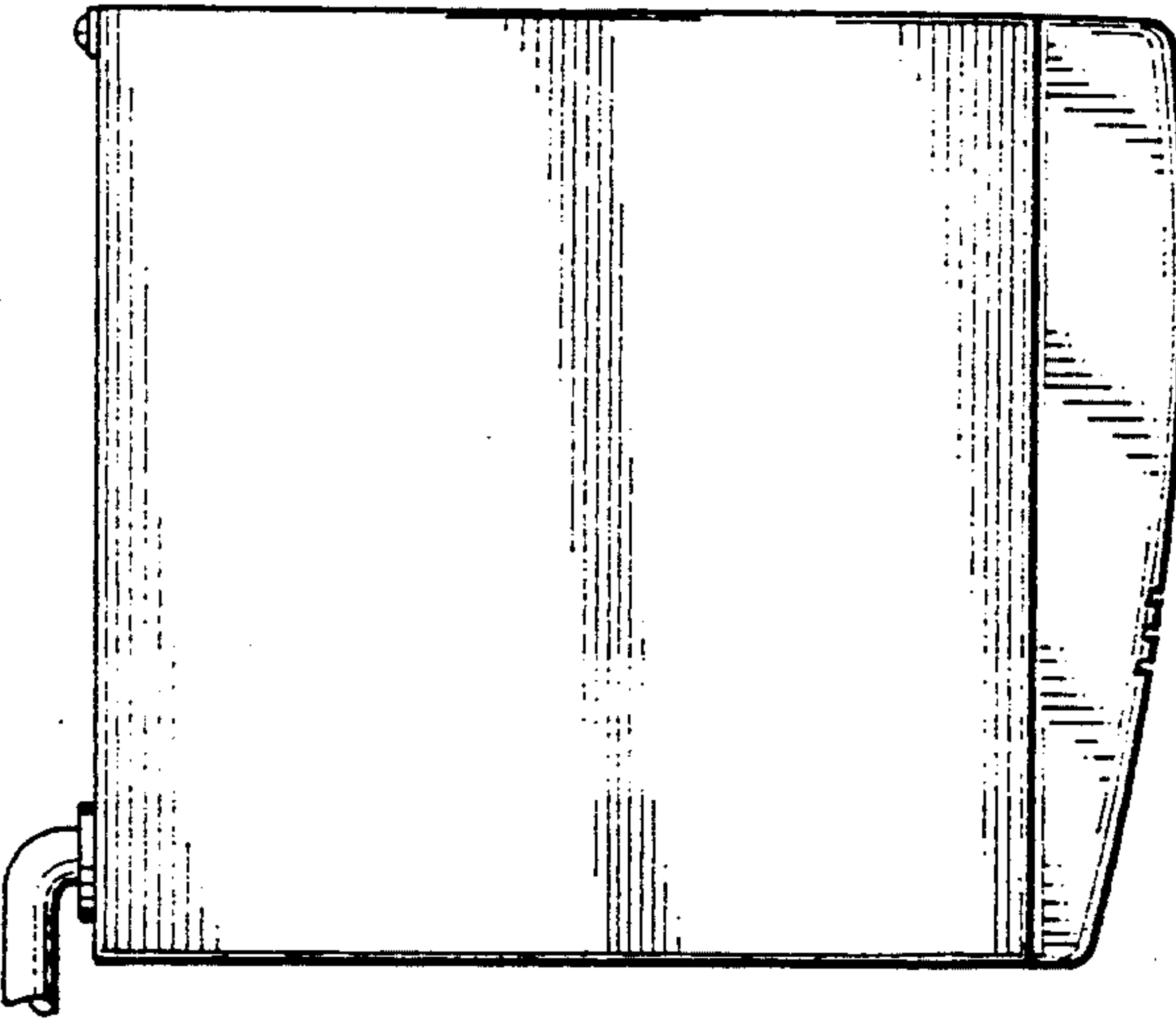


FIG. 3

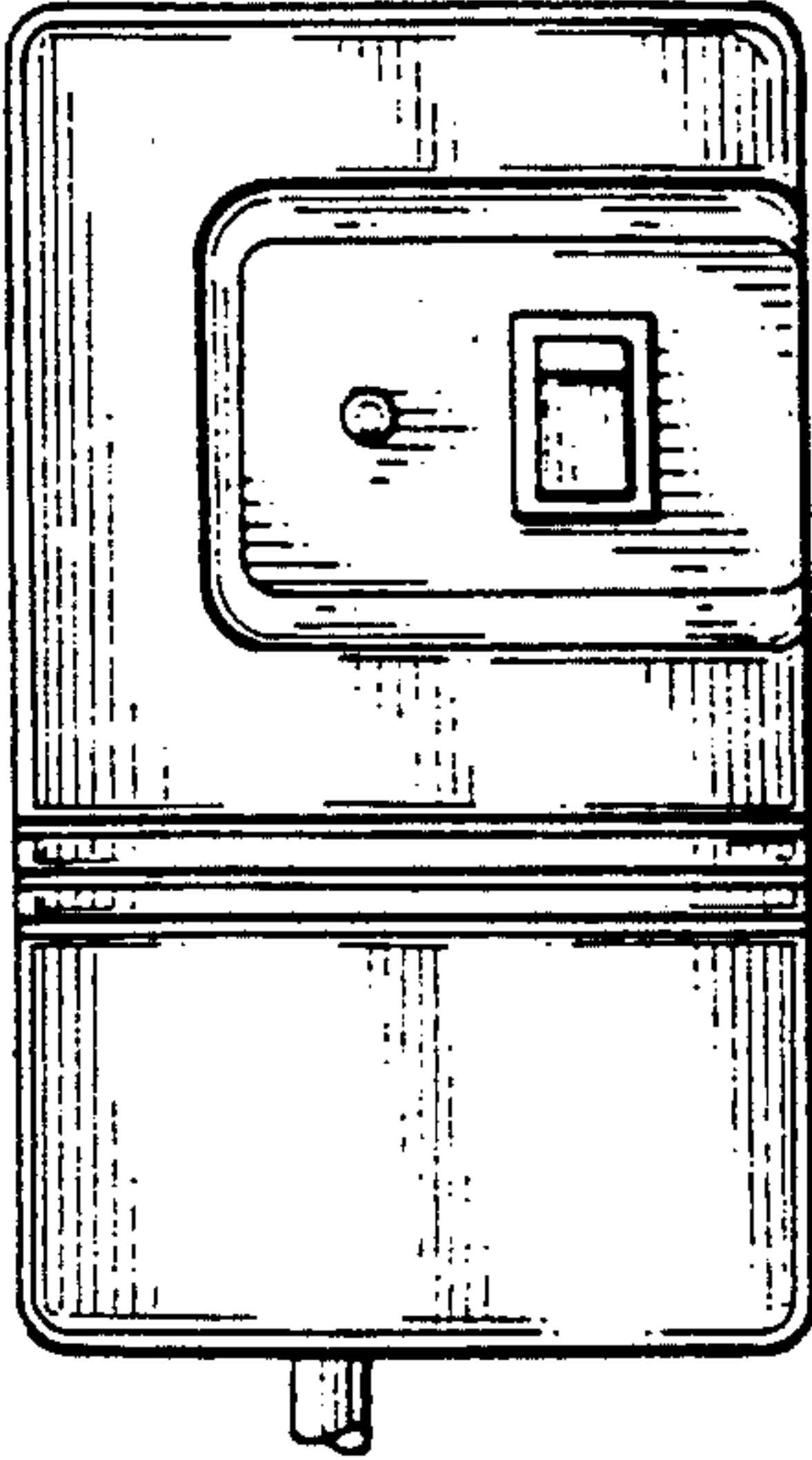


FIG. 4

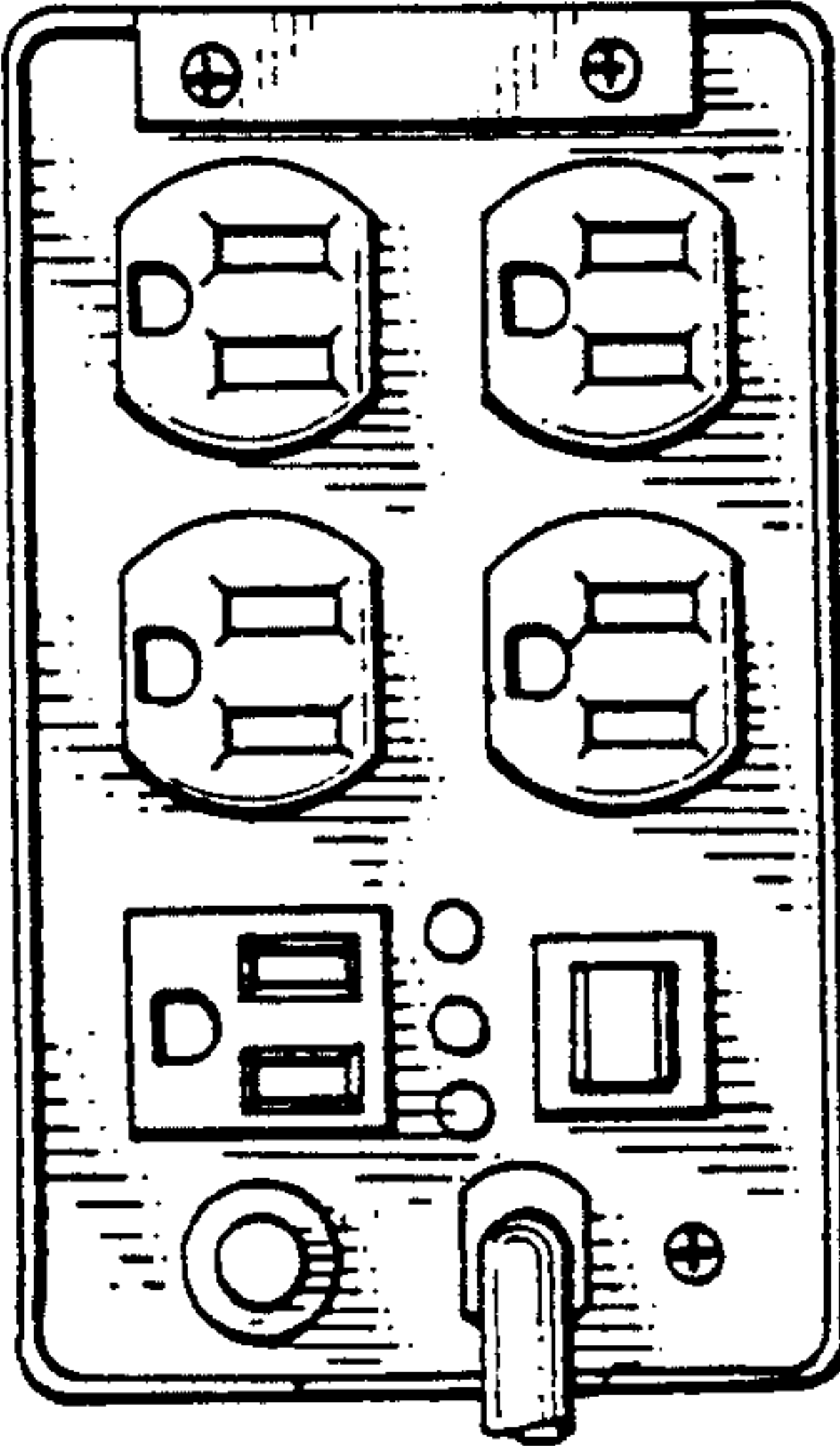


FIG. 5

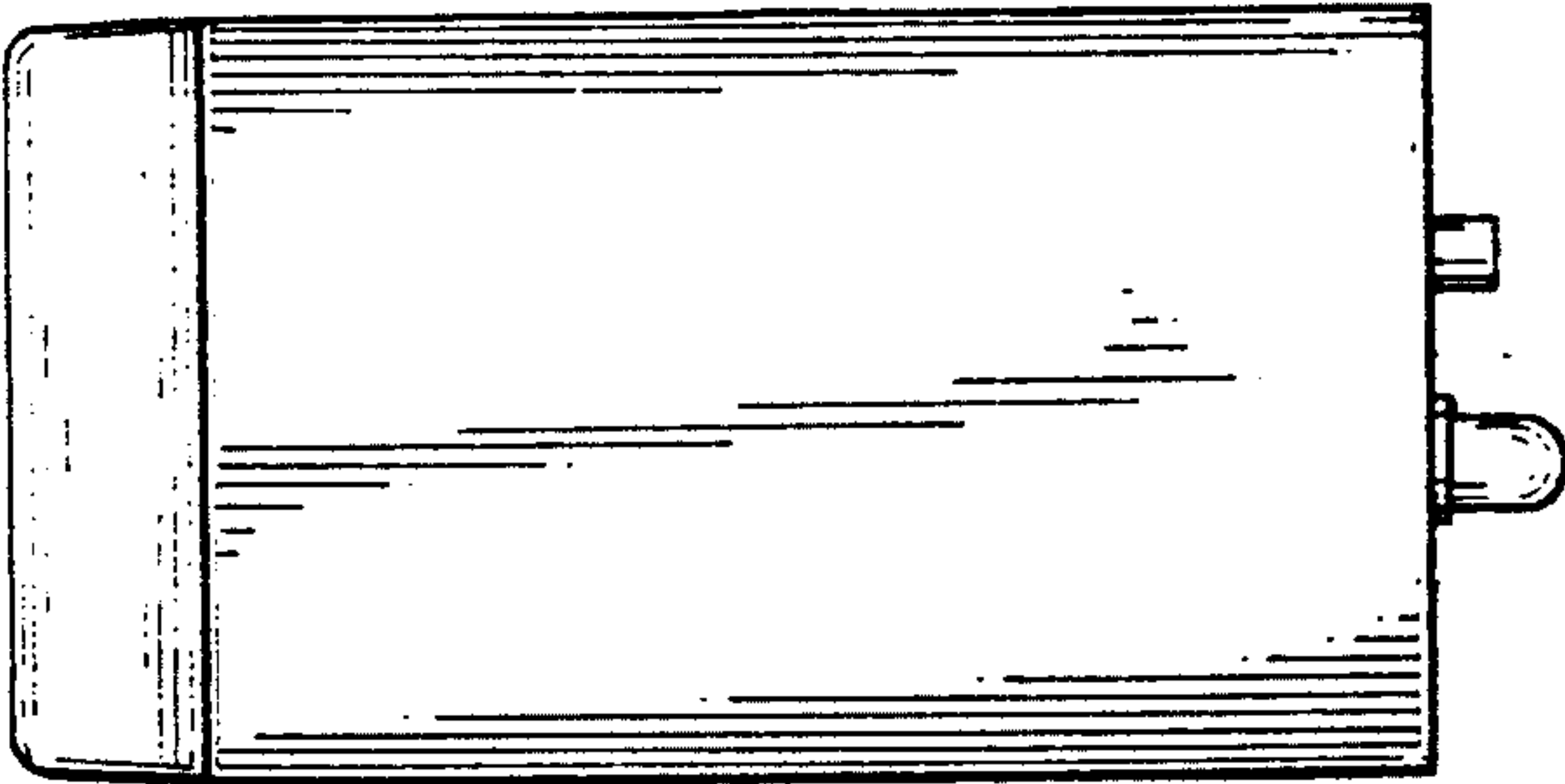


FIG. 6

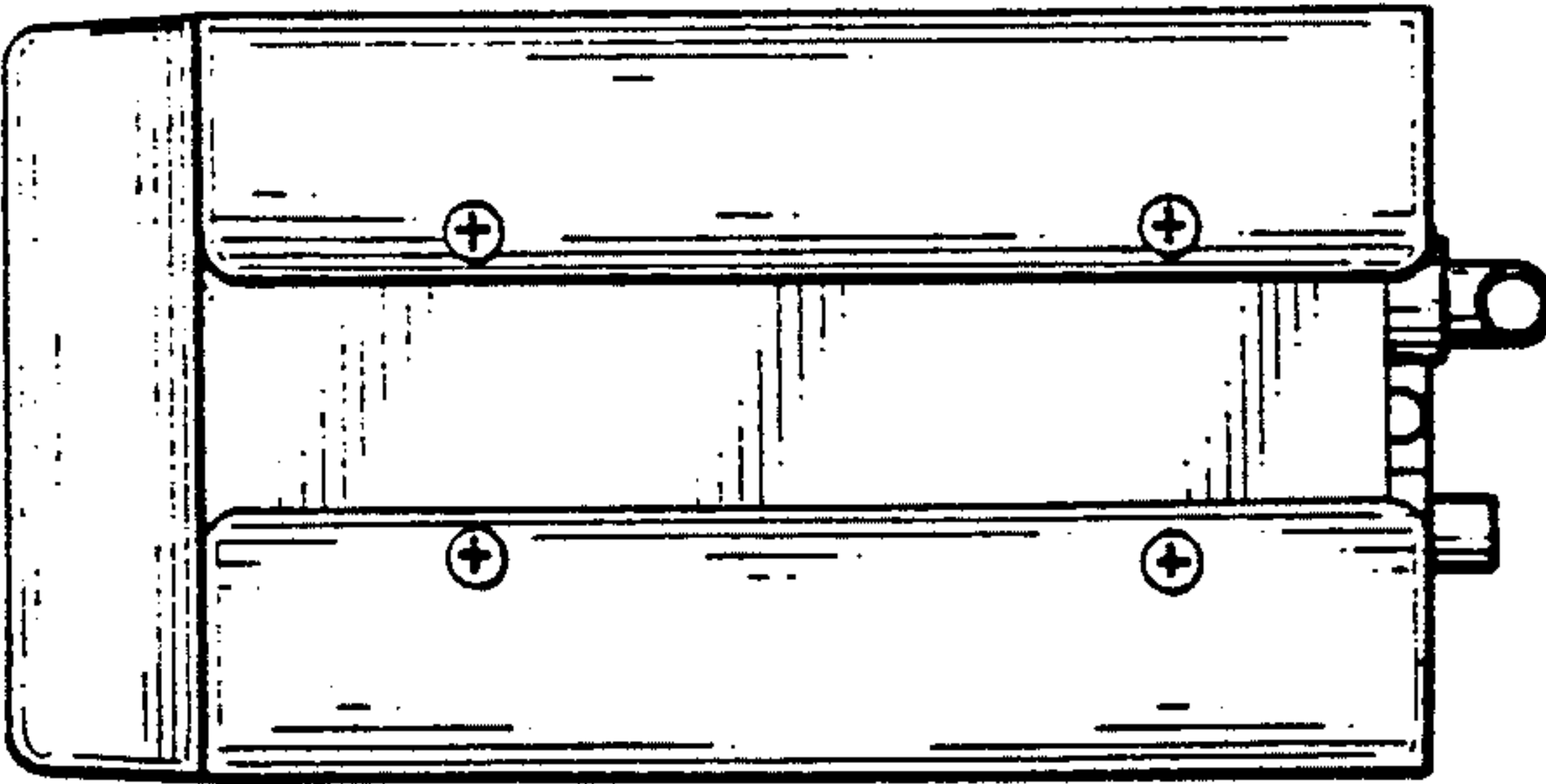


FIG. 7