



US00D346146S

United States Patent [19]
Halwes

[11] **Patent Number: Des. 346,146**

[45] **Date of Patent: ** Apr. 19, 1994**

[54] **VIBRATION REDUCTION SYSTEM**

4,420,134 12/1983 Flannely 244/17.27
4,664,281 5/1987 Falk et al. 220/327

[75] **Inventor: Dennis Halwes, Arlington, Tex.**

[73] **Assignee: Aeronautical Accessories, Inc.,
Bristol, Tenn.**

*Primary Examiner—Alan P. Douglas
Assistant Examiner—Antoine D. Davis
Attorney, Agent, or Firm—Jones & Askew*

[**] **Term: 14 Years**

[57] **CLAIM**

[21] **Appl. No.: 7,223**

The ornamental design for a vibration reduction system,
as shown and described.

[22] **Filed: Apr. 15, 1993**

DESCRIPTION

[52] **U.S. Cl. D12/345; D9/430;
D15/147**

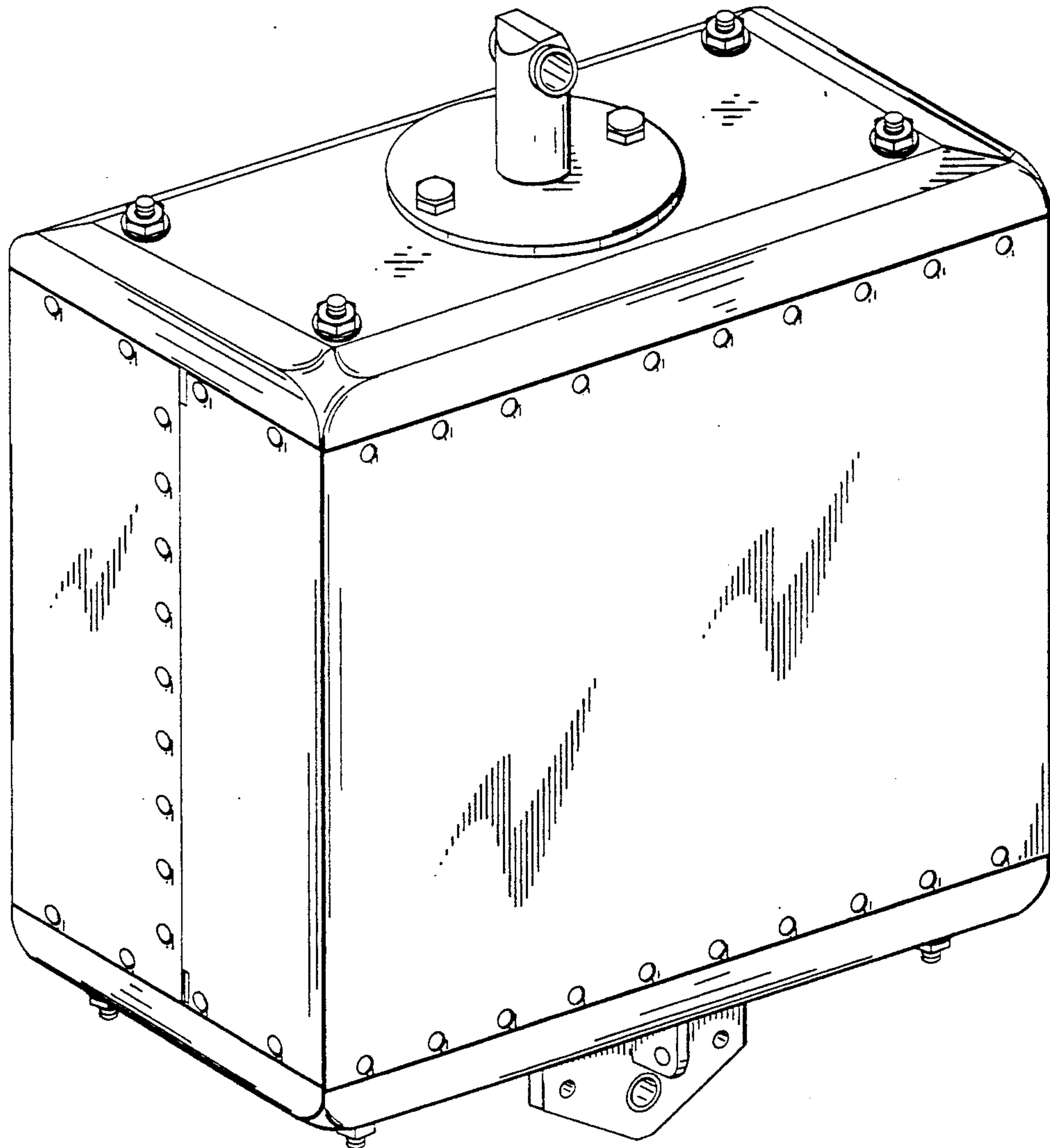
[58] **Field of Search D9/430; 220/327, DIG. 13;
244/17.27; D12/345, 327; D15/147**

FIG. 1 is a perspective view of my vibration reduction system;
FIG. 2 is a side view, the opposite side view being a mirror image thereof;
FIG. 3 is a top view thereof;
FIG. 4 is a bottom view thereof; and,
FIG. 5 is a front view, the back view being a mirror image thereof.

[56] **References Cited**

U.S. PATENT DOCUMENTS

D. 338,186 8/1993 Halwes D12/345



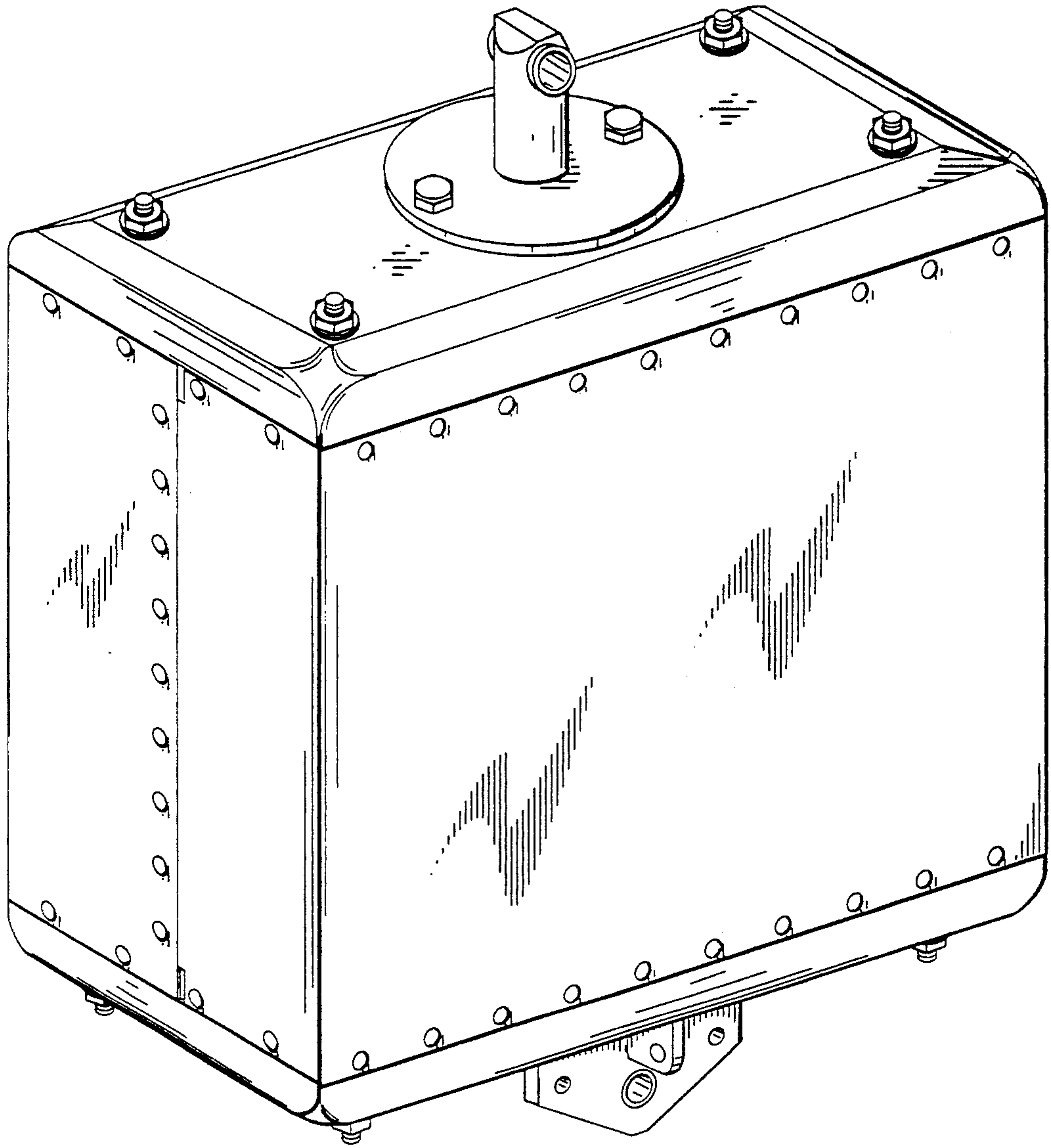


FIG 1

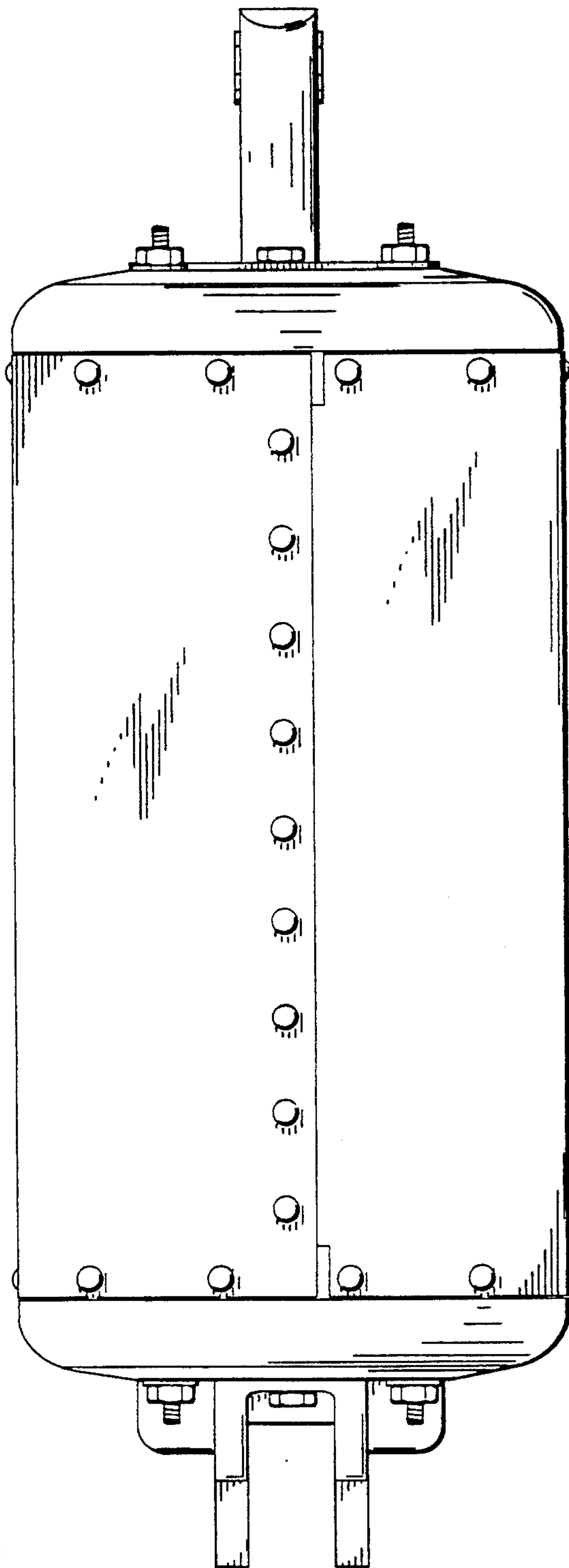


FIG 2

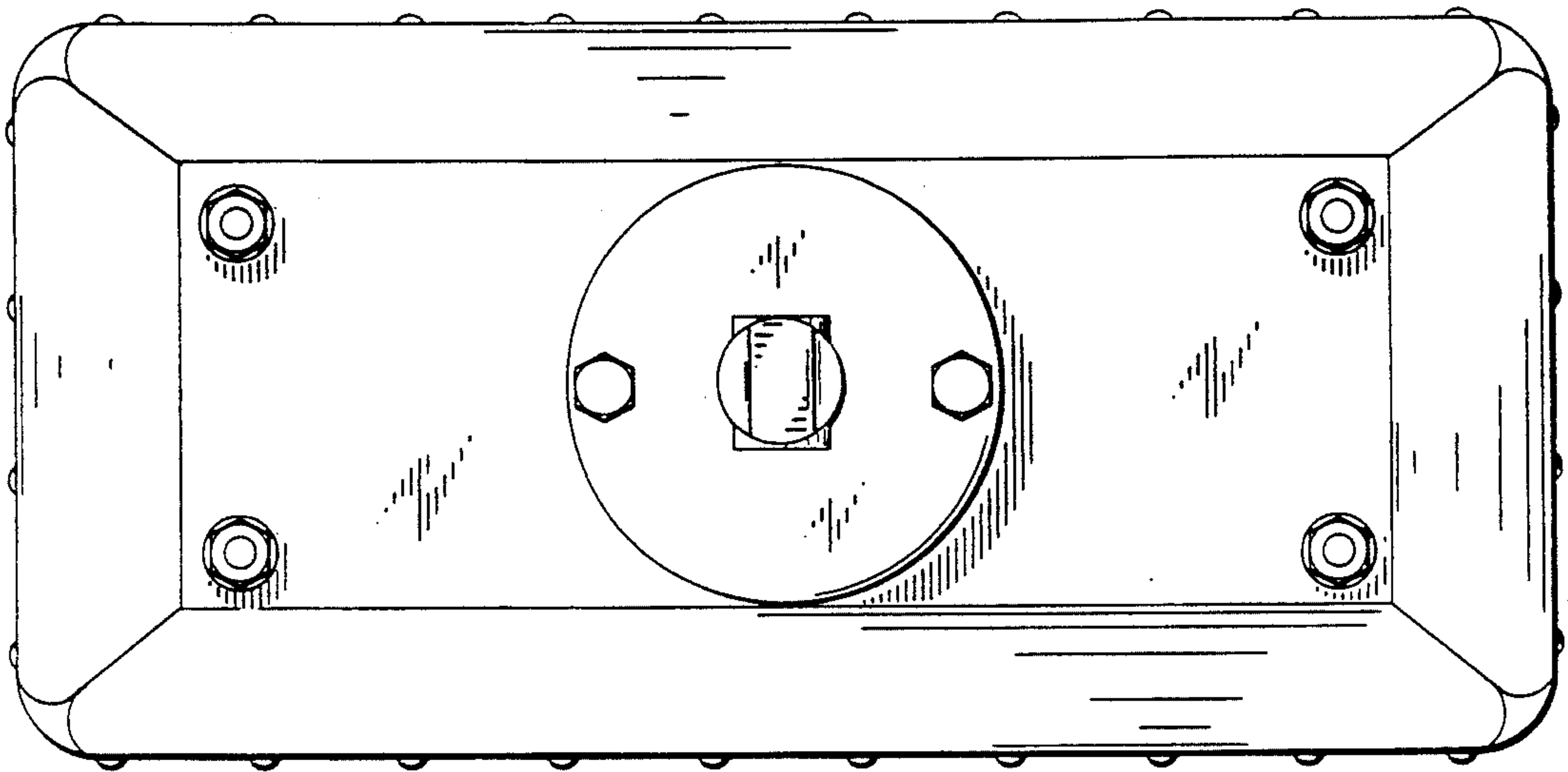


FIG 3

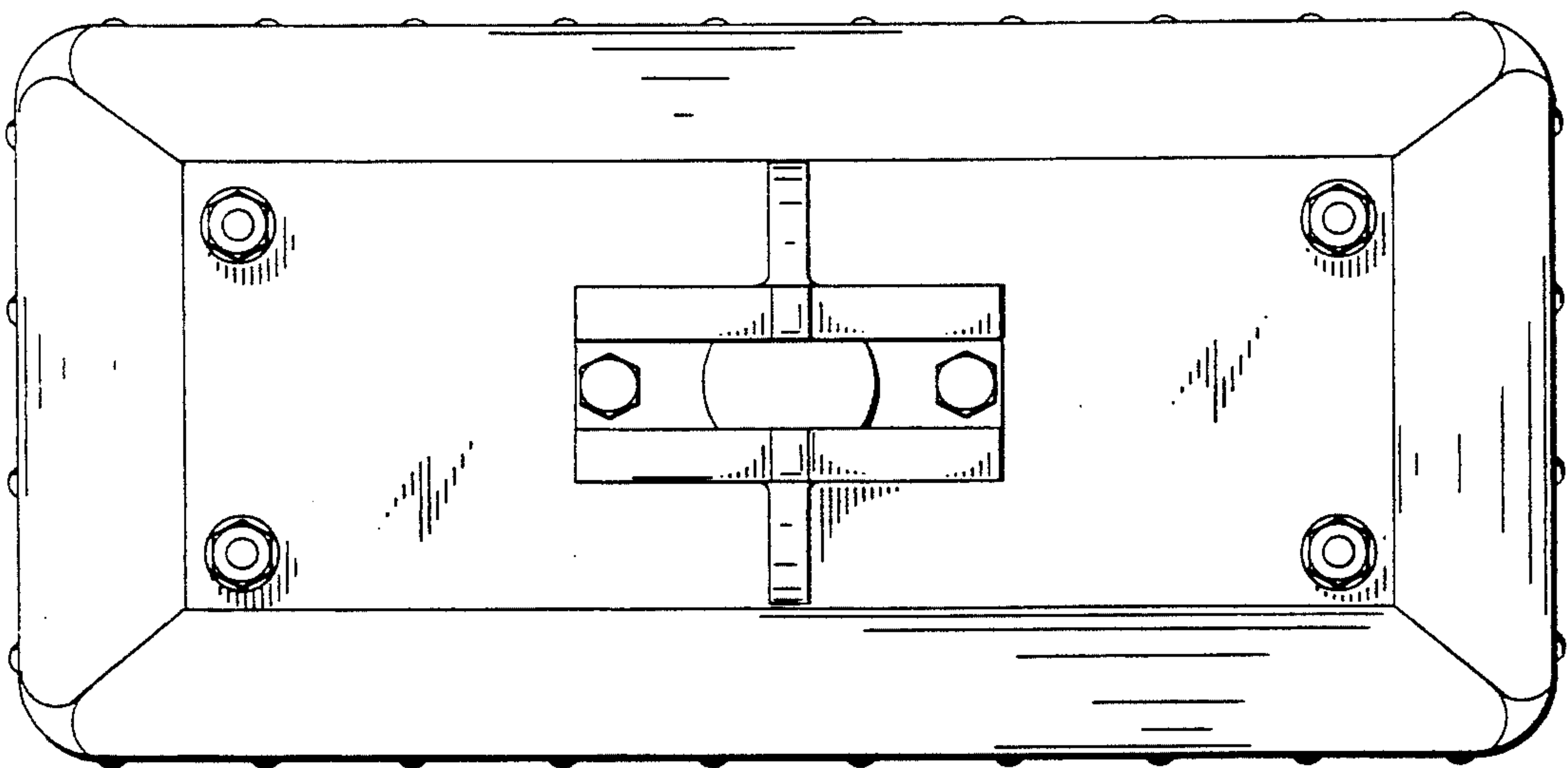


FIG 4

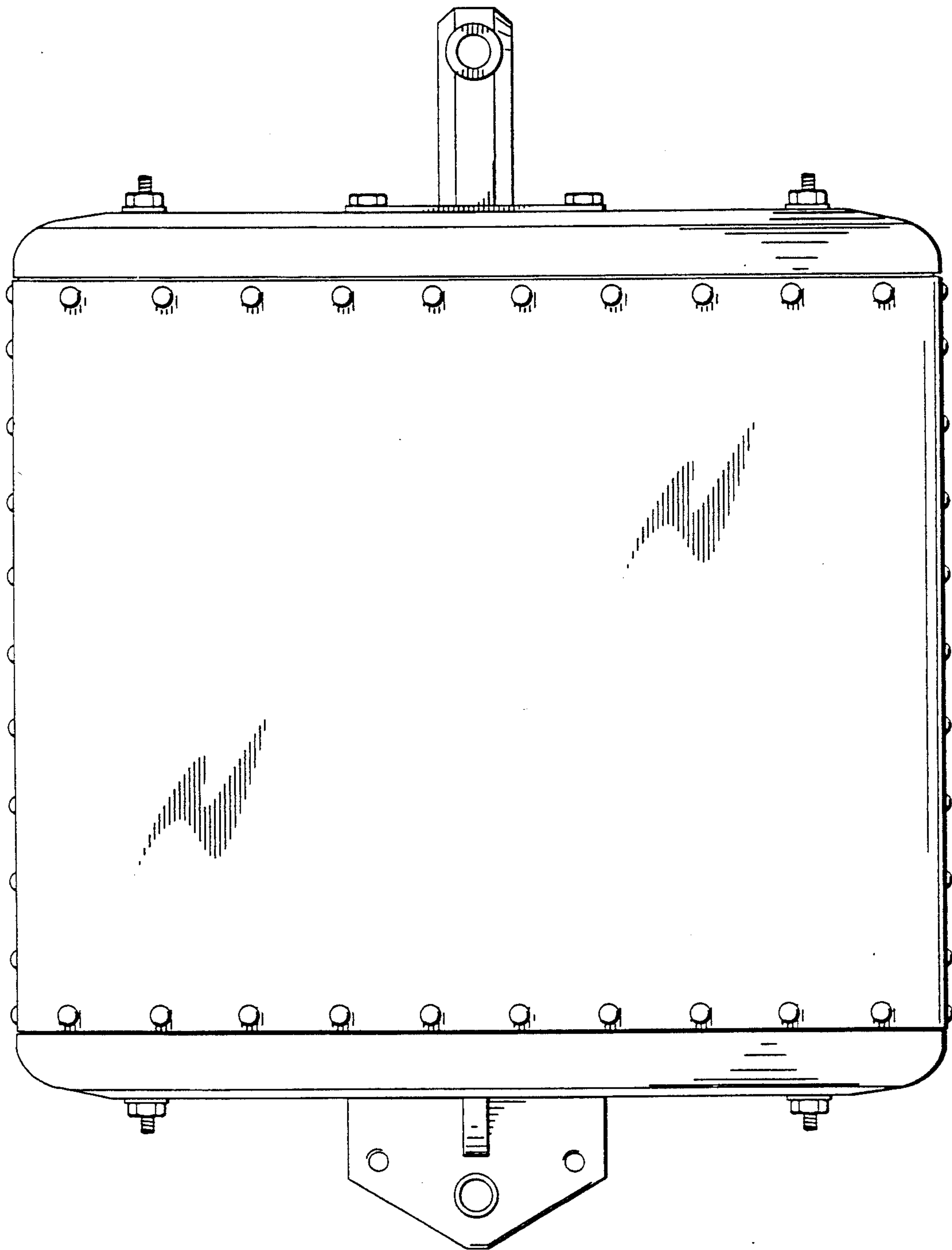


FIG 5