



US00D346141S

United States Patent [19]

McConnell

[11] Patent Number: **Des. 346,141**

[45] Date of Patent: **** Apr. 19, 1994**

[54] **STROLLER ACCESSORY BAR**

[56]

References Cited

U.S. PATENT DOCUMENTS

D. 324,504	3/1992	Olsen	D12/133
3,986,695	10/1976	Hronas	211/74
5,152,489	10/1992	Christensen et al.	211/74

Primary Examiner—Kay H. Chin

Attorney, Agent, or Firm—Stetina and Brunda

[76] Inventor: **Thomas E. McConnell**, 2421 S. Westgate Rd., Santa Maria, Calif. 93455

[**] Term: **14 Years**

[57]

CLAIM

The ornamental design for a stroller accessory bar, as shown and described.

[21] Appl. No.: **274**

DESCRIPTION

[22] Filed: **Oct. 9, 1992**

[52] U.S. Cl. **D12/133; D12/129**

[58] Field of Search **248/215; 211/74, 88, 211/113; D12/128, 133, 129, 130, 131**

FIG. 1 is a front perspective view of the stroller accessory bar showing my new design; FIG. 2 is a rear perspective view thereof; and, FIG. 3 is a bottom plan view thereof.

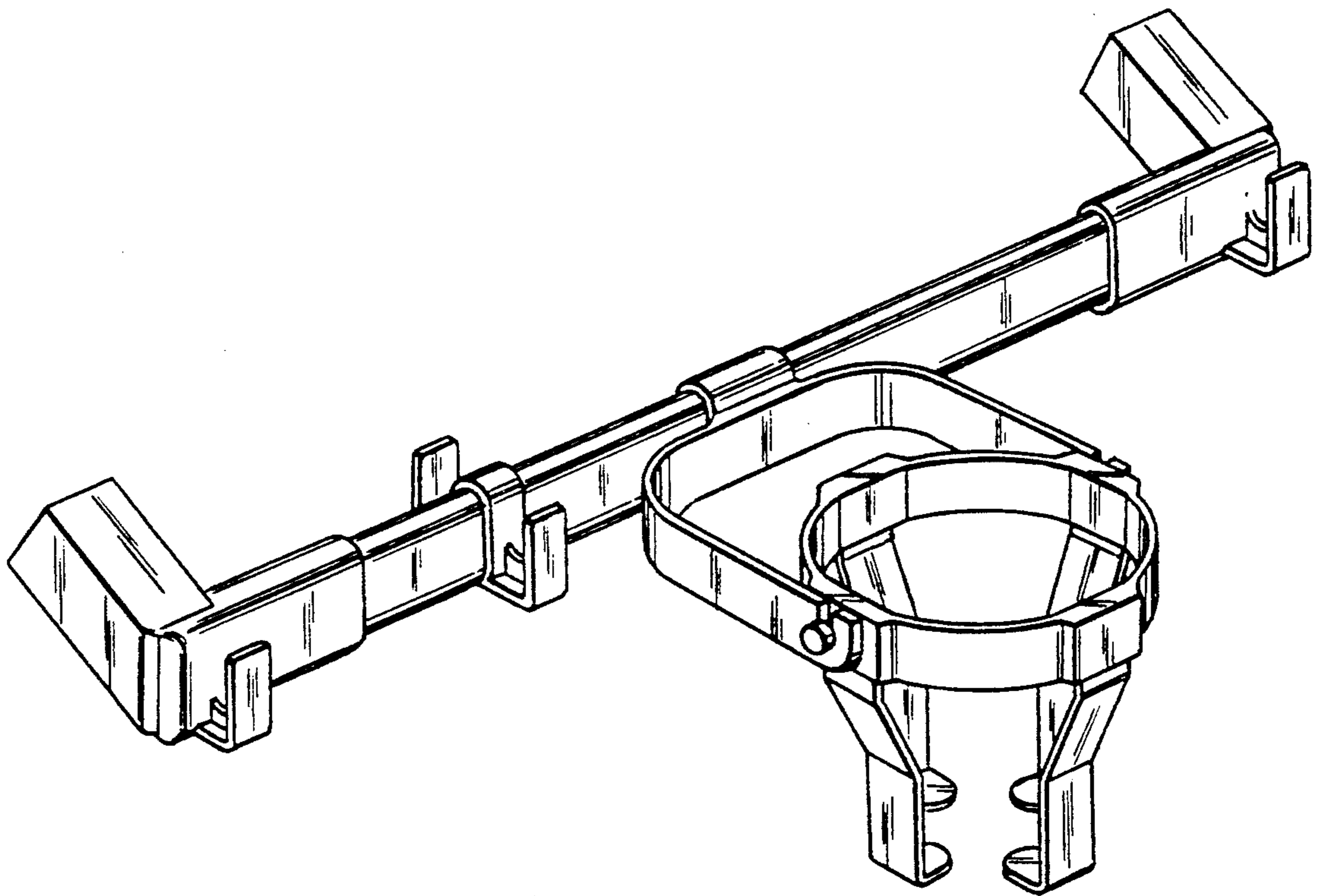


Fig. 1

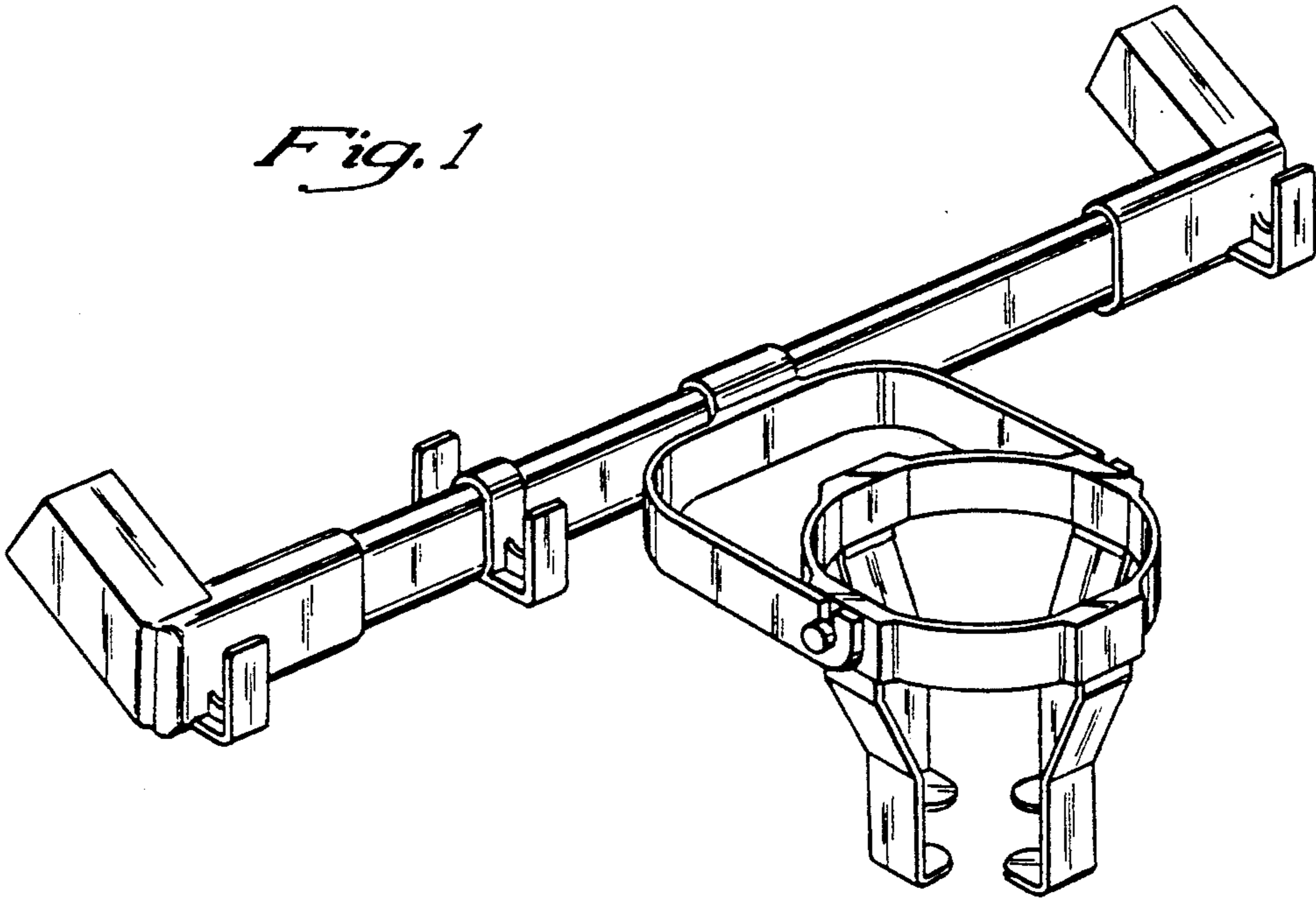


Fig. 2

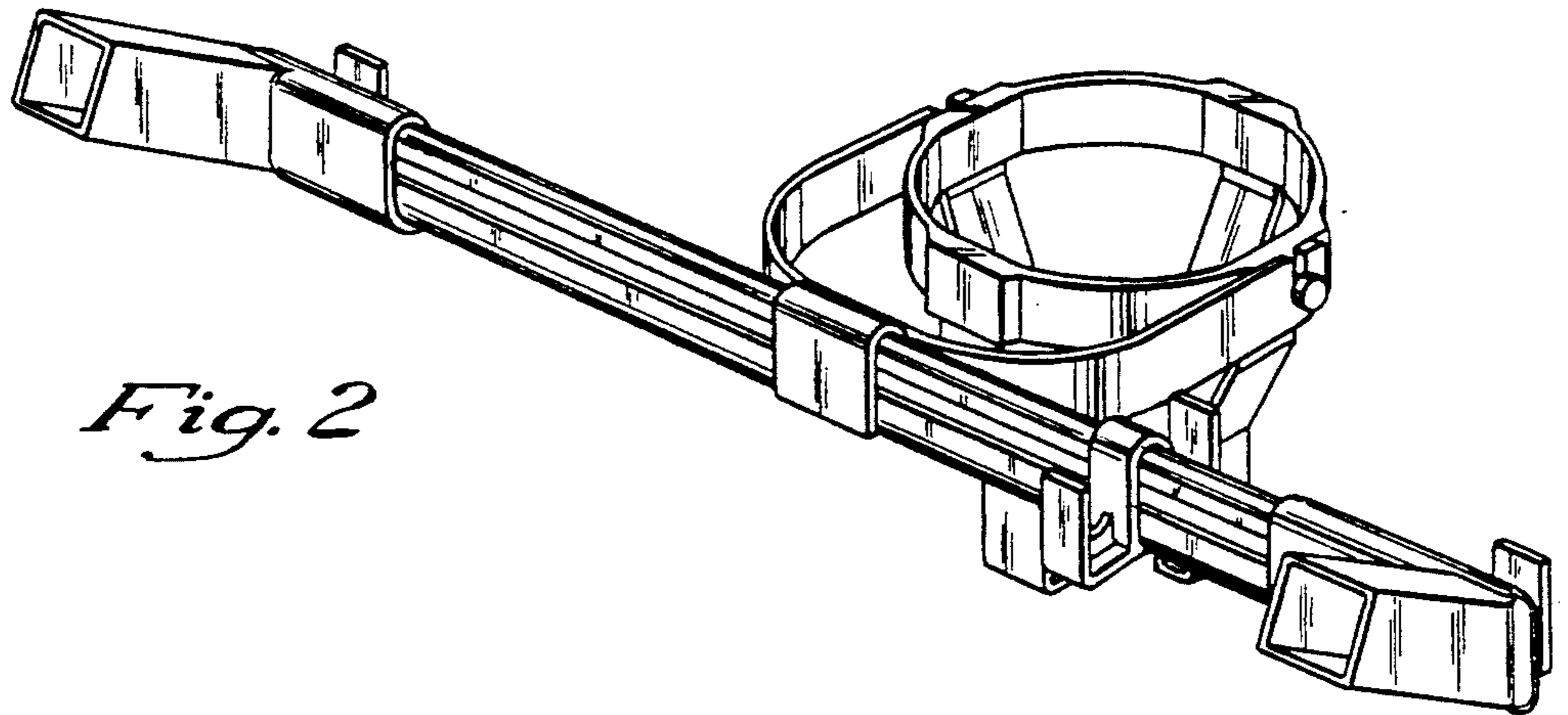


Fig. 3

