



US00D346135S

United States Patent. [19]

[11] Patent Number: Des. 346,135

Carlson

[45] Date of Patent: ** Apr. 19, 1994

[54] HANGING PLANTER

[75] Inventor: Arthur R. Carlson, East Malvern, Australia

[73] Assignee: Bemis Manufacturing Company, Sheboygan Falls, Wis.

[**] Term: 14 Years

[21] Appl. No.: 831,491

[22] Filed: Feb. 5, 1992

[52] U.S. Cl. D11/153

[58] Field of Search D7/555, 500; 47/66, 47/71; D11/153, 143, 152

90289	4/1985	Australia .
94178	9/1985	Australia .
94632	9/1985	Australia .
94633	9/1985	Australia .
98993	4/1987	Australia .
95997	5/1987	Australia .
96249	5/1987	Australia .
96250	5/1987	Australia .
97364	5/1987	Australia .
99707	5/1987	Australia .
15245	7/1976	New Zealand .
15246	7/1976	New Zealand .
15065	7/1977	New Zealand .
15178	10/1977	New Zealand .
15180	10/1977	New Zealand .
18581	11/1983	New Zealand .
18582	11/1983	New Zealand .

[56] References Cited

U.S. PATENT DOCUMENTS

D. 288,793	3/1987	Carlson	D11/153
D. 288,794	3/1987	Carlson	D11/153
D. 296,425	6/1988	Carlson	D11/152
D. 297,319	8/1988	Carlson	D11/152
D. 300,732	4/1989	Carlson	D11/152
D. 313,203	12/1990	Carlson	D11/153

FOREIGN PATENT DOCUMENTS

69915	8/1978	Australia .
69505	6/1979	Australia .
78936	9/1979	Australia .
79915	12/1979	Australia .
79916	12/1979	Australia .
79917	12/1979	Australia .
81174	6/1980	Australia .
81777	8/1980	Australia .
81778	8/1980	Australia .
83115	1/1981	Australia .
83116	1/1981	Australia .
90136	11/1983	Australia .
90137	11/1983	Australia .
90138	11/1983	Australia .
90286	11/1983	Australia .
90287	11/1983	Australia .
90290	11/1983	Australia .
90291	11/1983	Australia .
90288	4/1985	Australia .

OTHER PUBLICATIONS

Tableware International (Mag.) p. 35 Jun. 1980.
American Nurserman (Magazine) p. 59 Nov. 1, 1976.

Primary Examiner—Alan P. Douglas

Assistant Examiner—Sandra Snapp

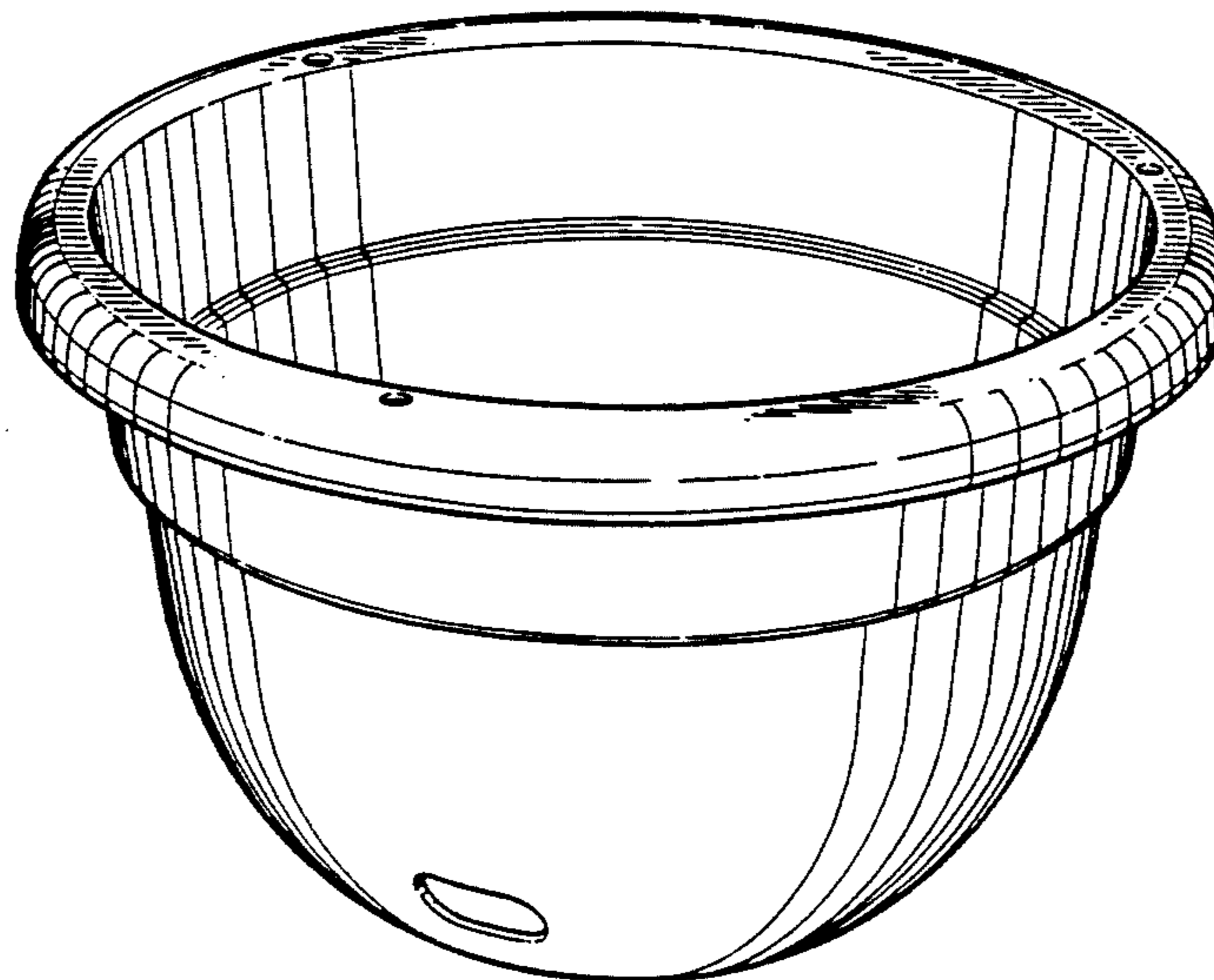
Attorney, Agent, or Firm—Thompson, Hine and Flory

[57] CLAIM

The ornamental design for a hanging planter, as shown.

DESCRIPTION

FIG. 1 is a front perspective view from above of my inventive hanging planter;
 FIG. 2 is a rear perspective view from below;
 FIG. 3 is a top plan view;
 FIG. 4 is an underneath view;
 FIG. 5 is a front view;
 FIG. 6 is a full vertical cross section along the lines and in the direction of arrows 6—6 of FIG. 3;
 FIG. 7 is a front perspective view from above showing the plate separated;
 FIG. 8 is a rear perspective view from beneath showing the plate separated;
 FIG. 9 is a side view of the plate; and,
 FIG. 10 is a top plan view of the plate.



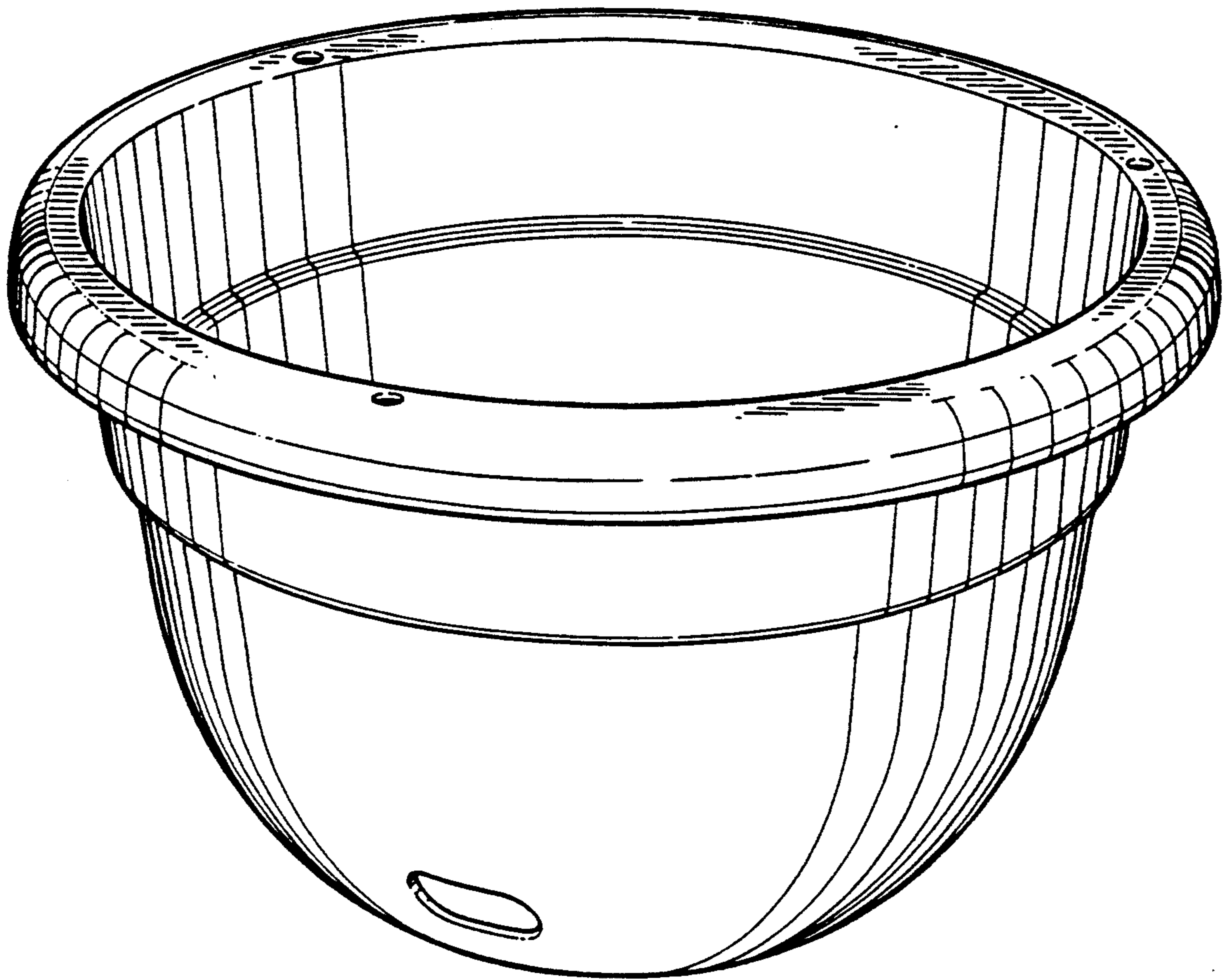


FIG. 1.

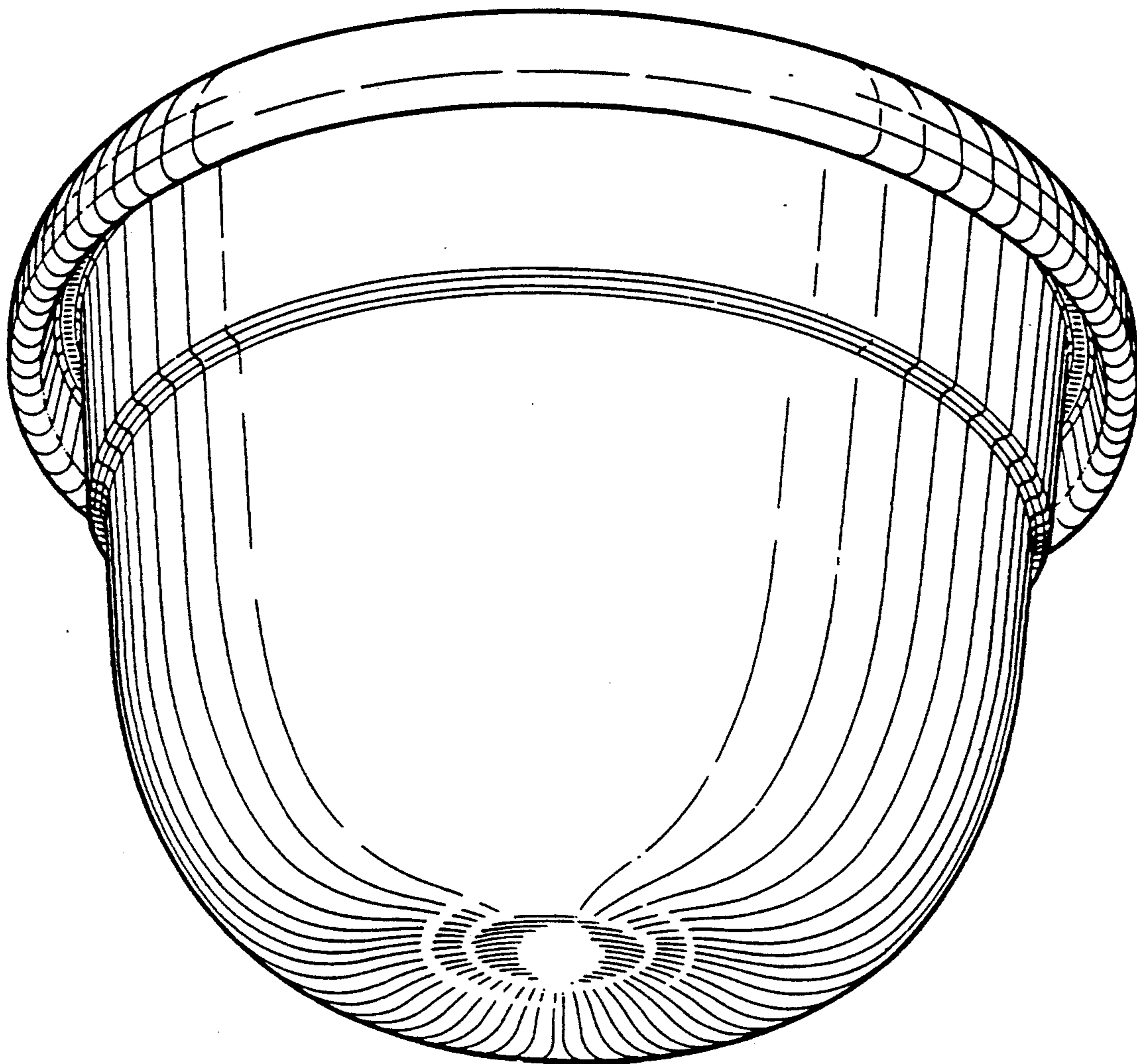


FIG. 2.

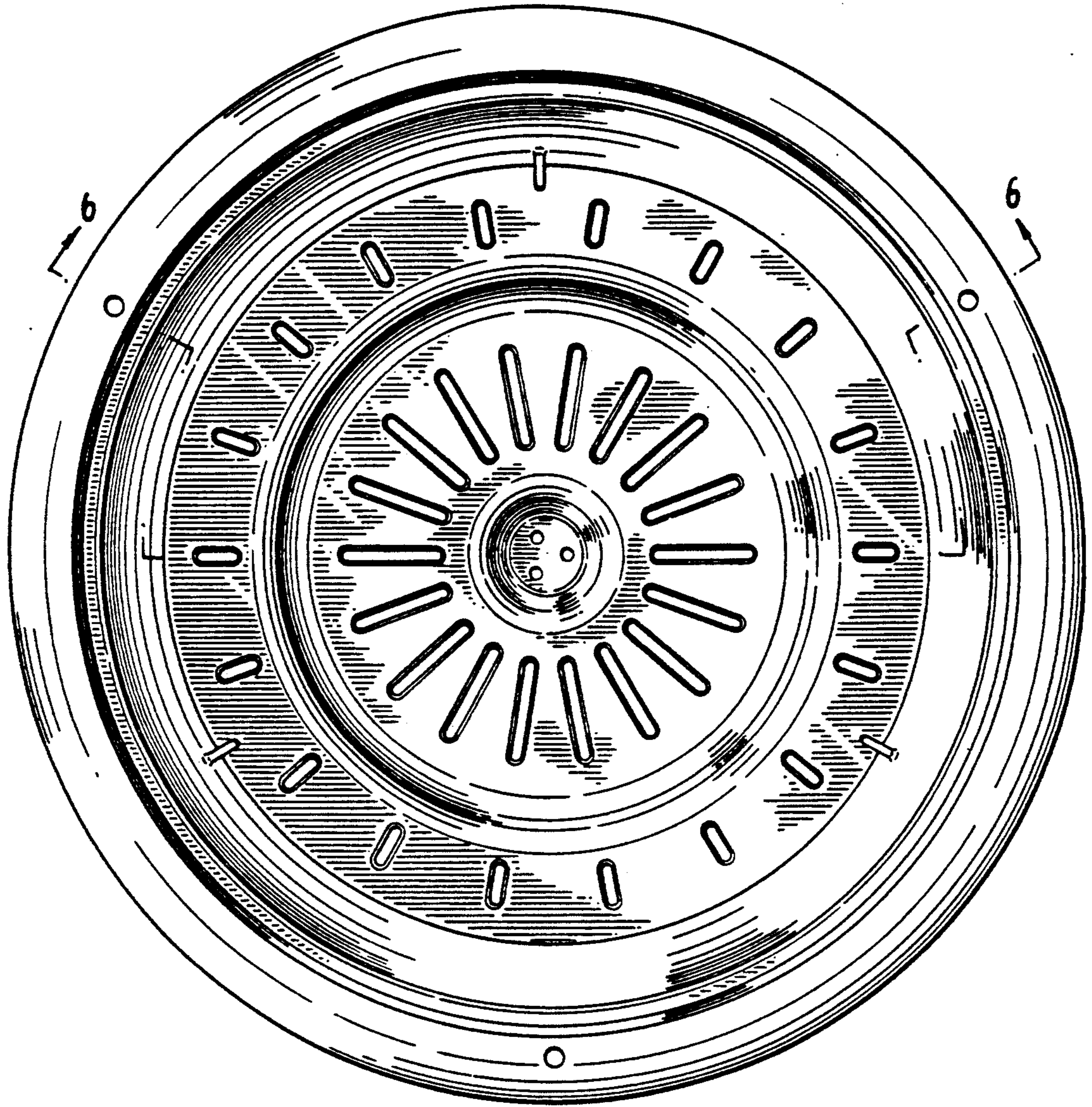


FIG. 3.

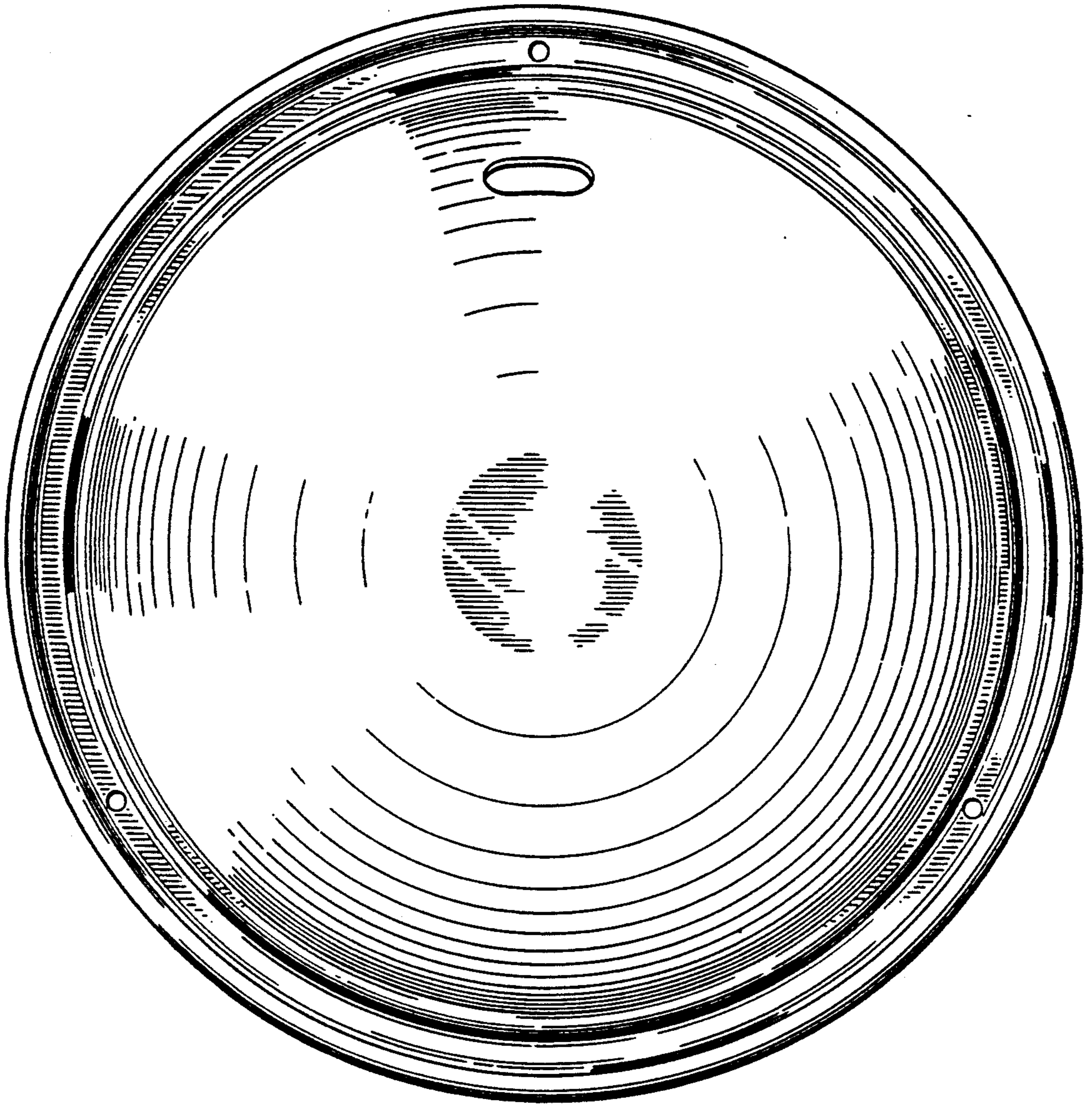


FIG. 4.

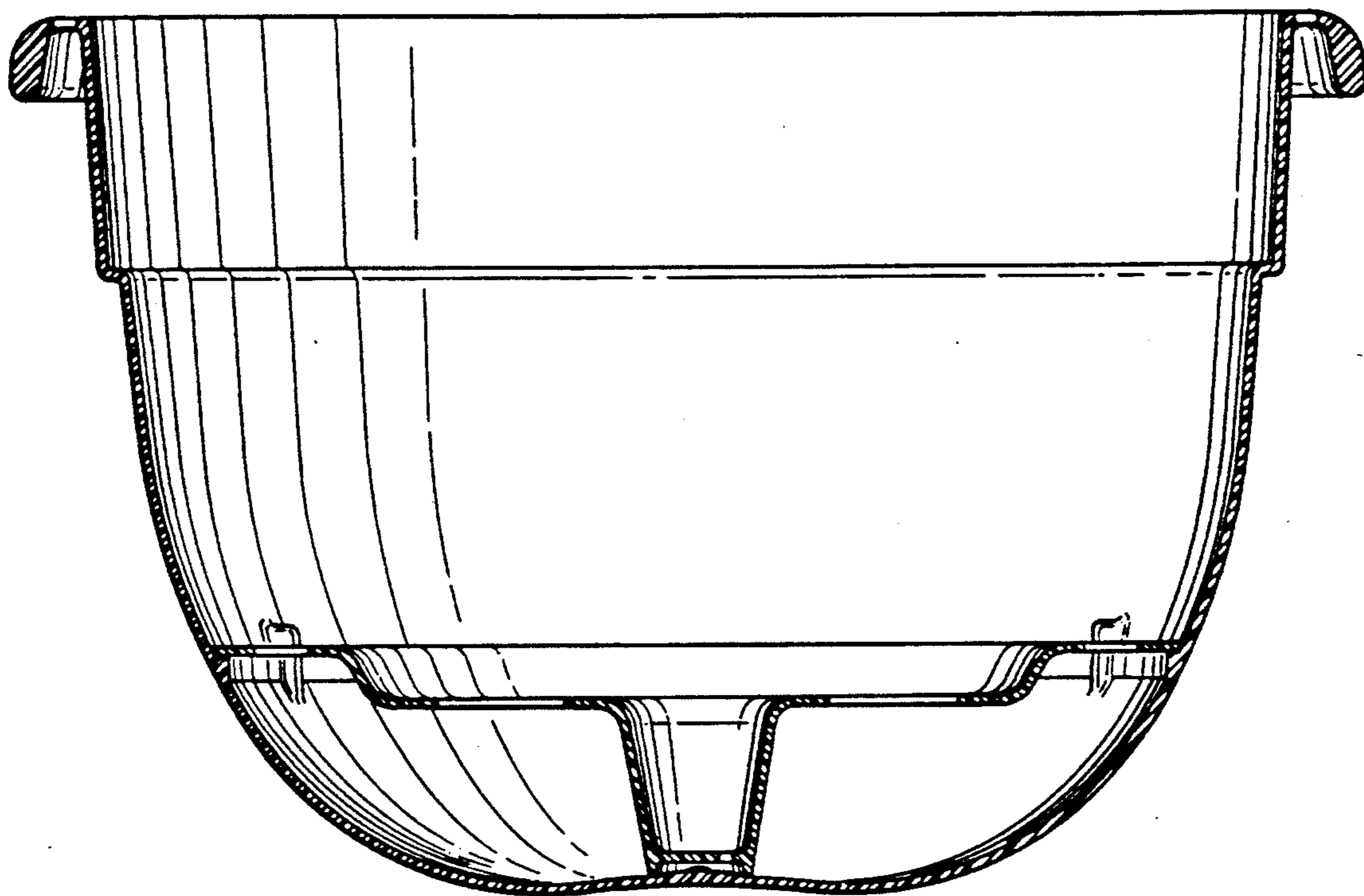


FIG. 6.

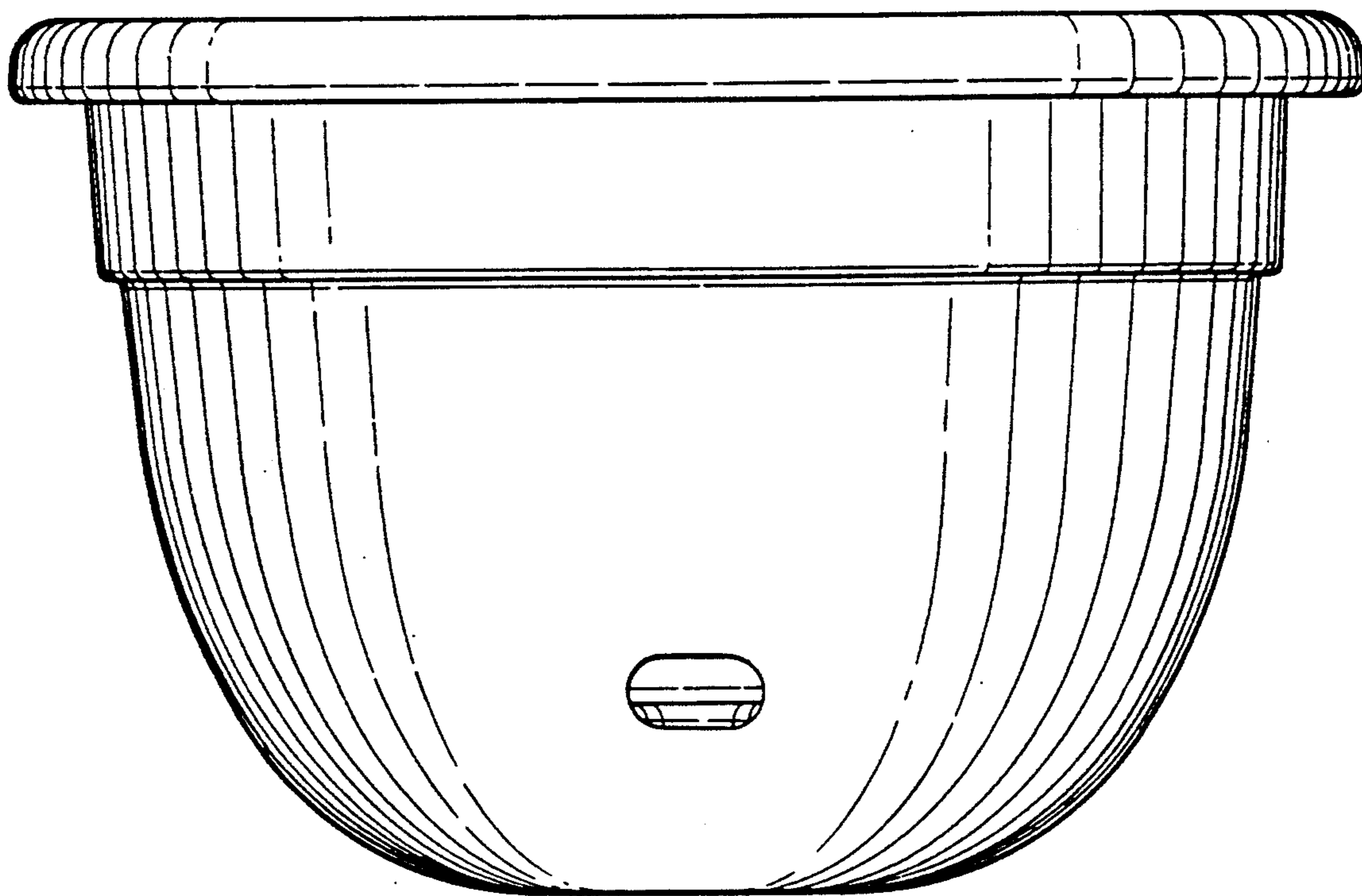


FIG. 5.

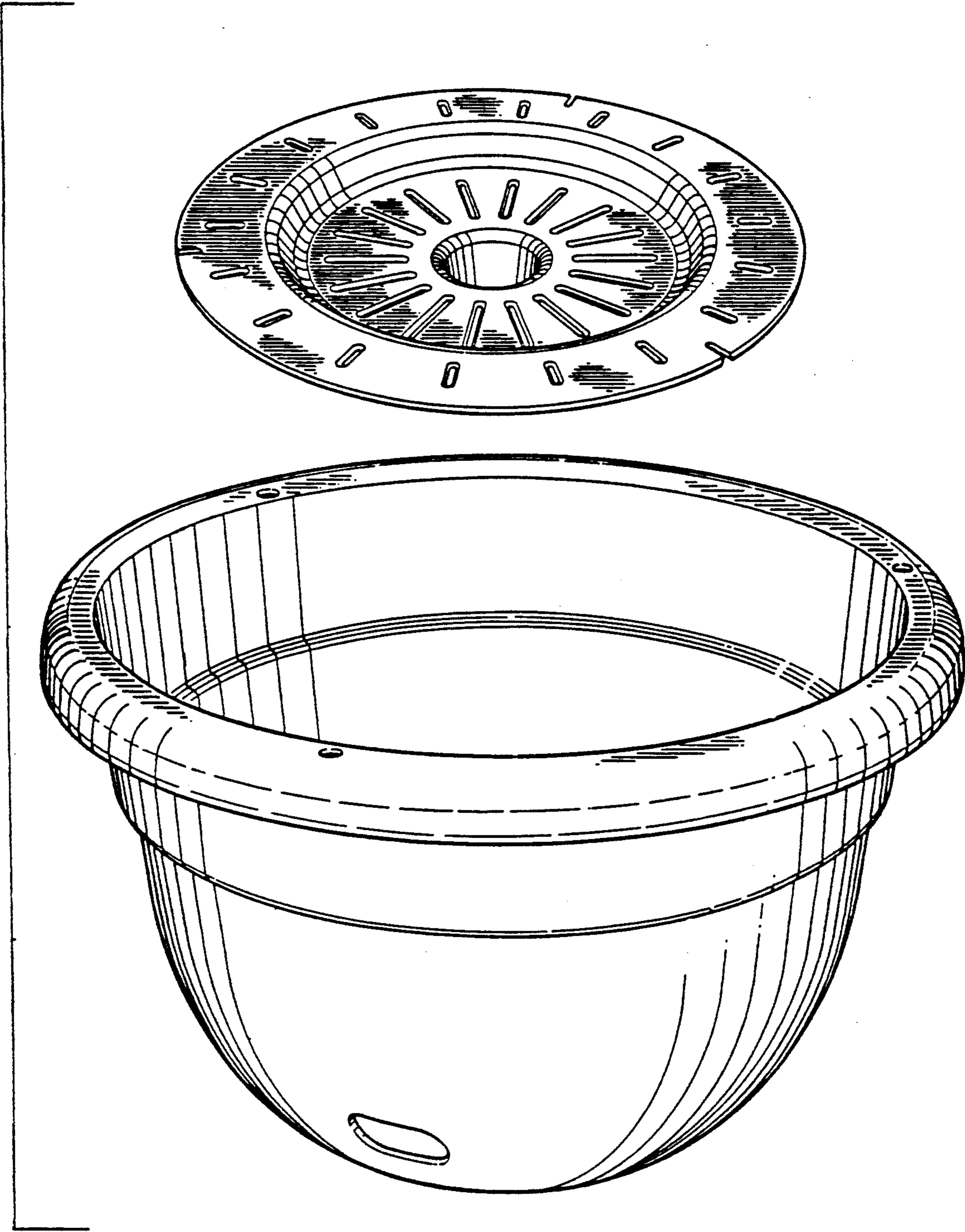


Fig. 7.

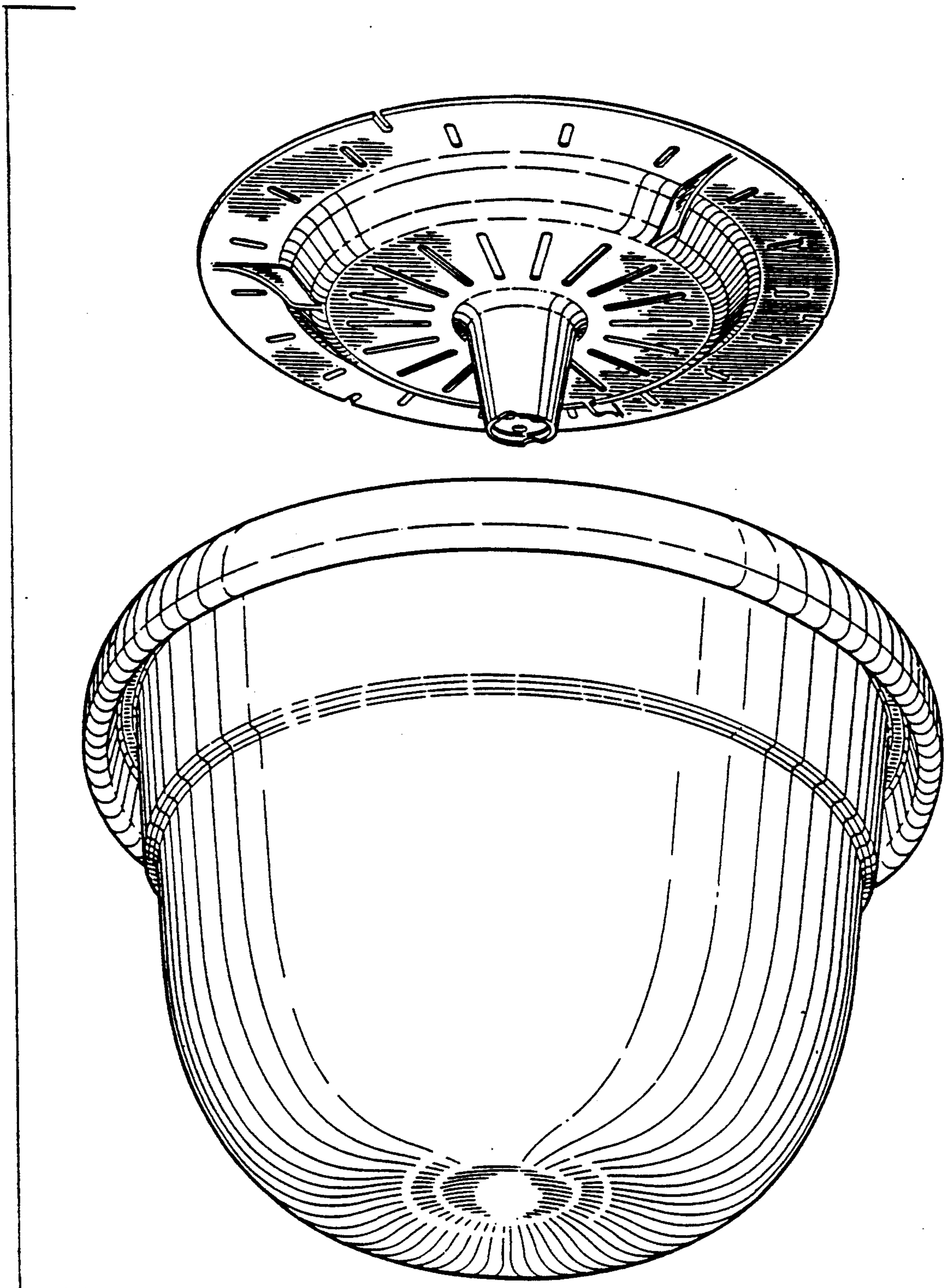


FIG. 8.

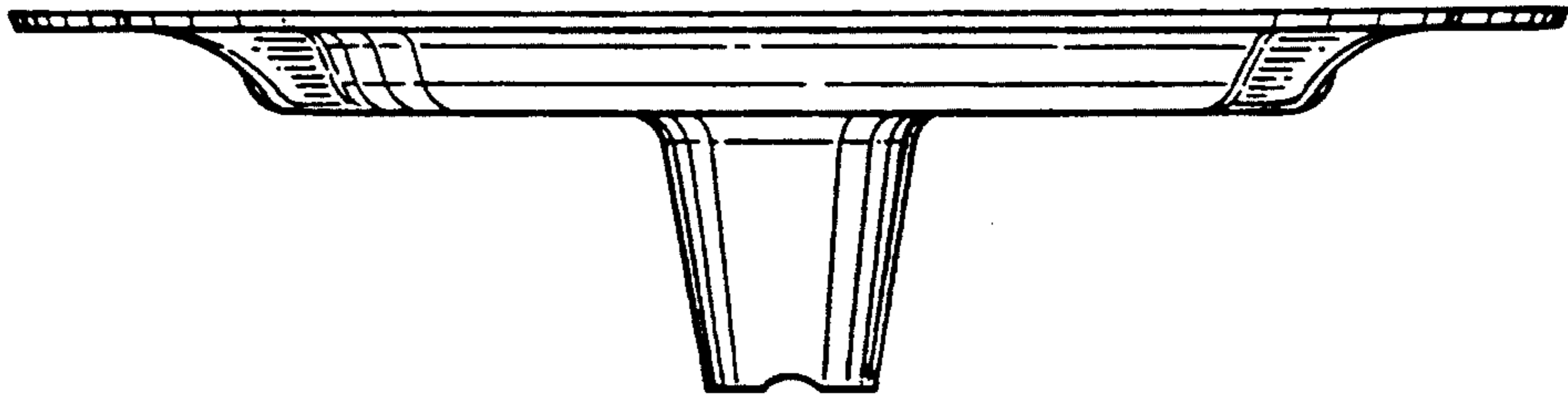


FIG. 9.

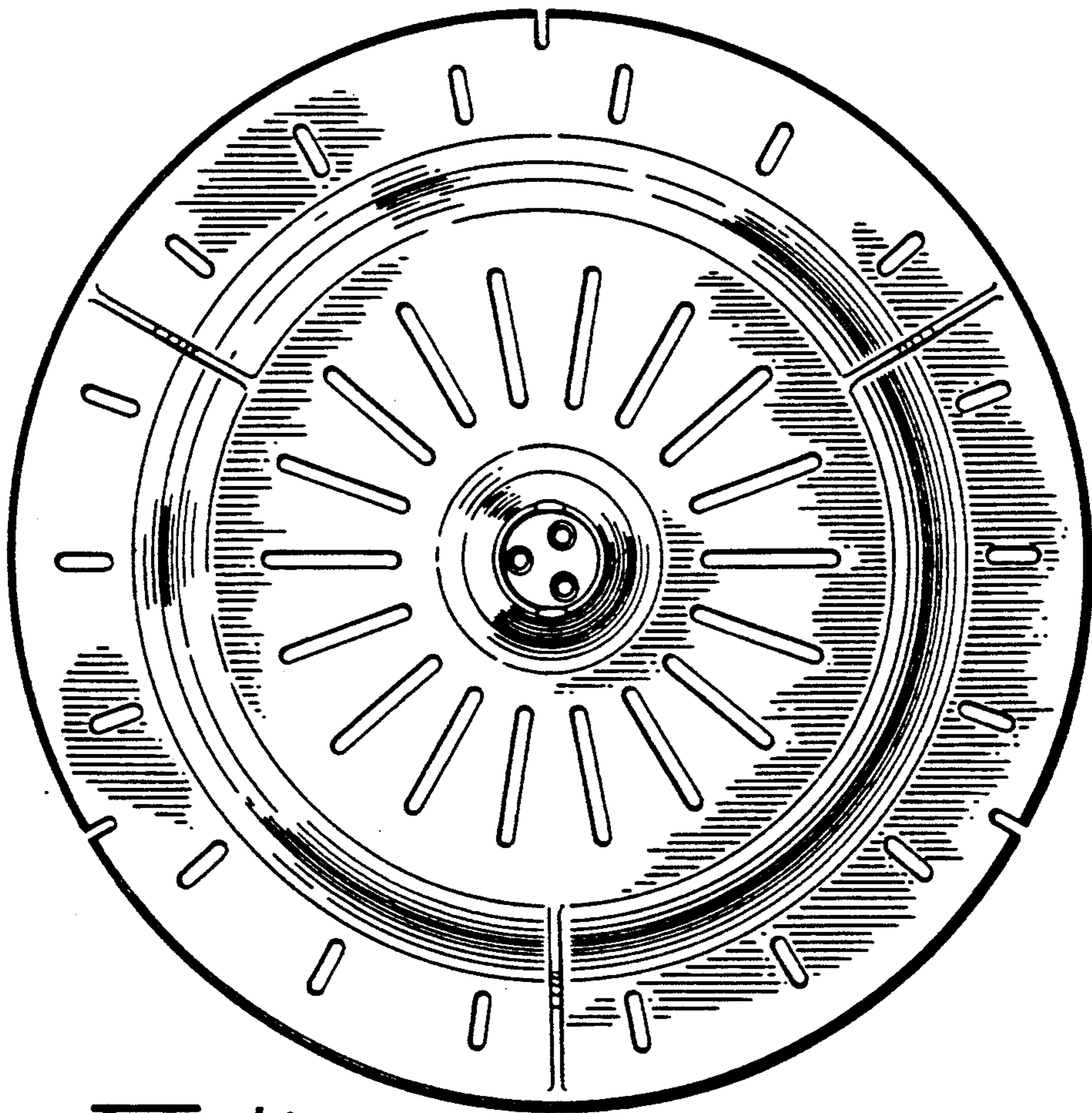


FIG. 10.