



US00D346133S

United States Patent [19]

[11] Patent Number: **Des. 346,133**

Beber et al.

[45] Date of Patent: **** Apr. 19, 1994**

[54] **COMBINED GEMSTONE AND MOUNTING**

D. 283,878 5/1986 Henrickson D11/90

[76] Inventors: **Jacque S. Beber; Richard A. Beber**,
both of 2061 Mesa Dr., Santa Ana
Heights, Calif. 92707

Primary Examiner—A. Hugo Word
Assistant Examiner—R. Seifert
Attorney, Agent, or Firm—Schwartz & Weinrieb

[**] Term: **14 Years**

[57] **CLAIM**

[21] Appl. No.: **693,414**

The ornamental design for a combined gemstone and mounting, as shown.

[22] Filed: **Apr. 30, 1991**

DESCRIPTION

[52] U.S. Cl. **D11/92; D11/91**

[58] Field of Search **D1/1-3,**
D1/26-39, 86-92; 63/1.1, 2, 3, 15-15.8, 26-32

FIG. 1 is a front elevational view of a combined gemstone and mounting showing our new design;

FIG. 2 is a top plan view thereof;

FIG. 3 is a rear elevational view thereof;

FIG. 4 is a bottom plan view thereof; and,

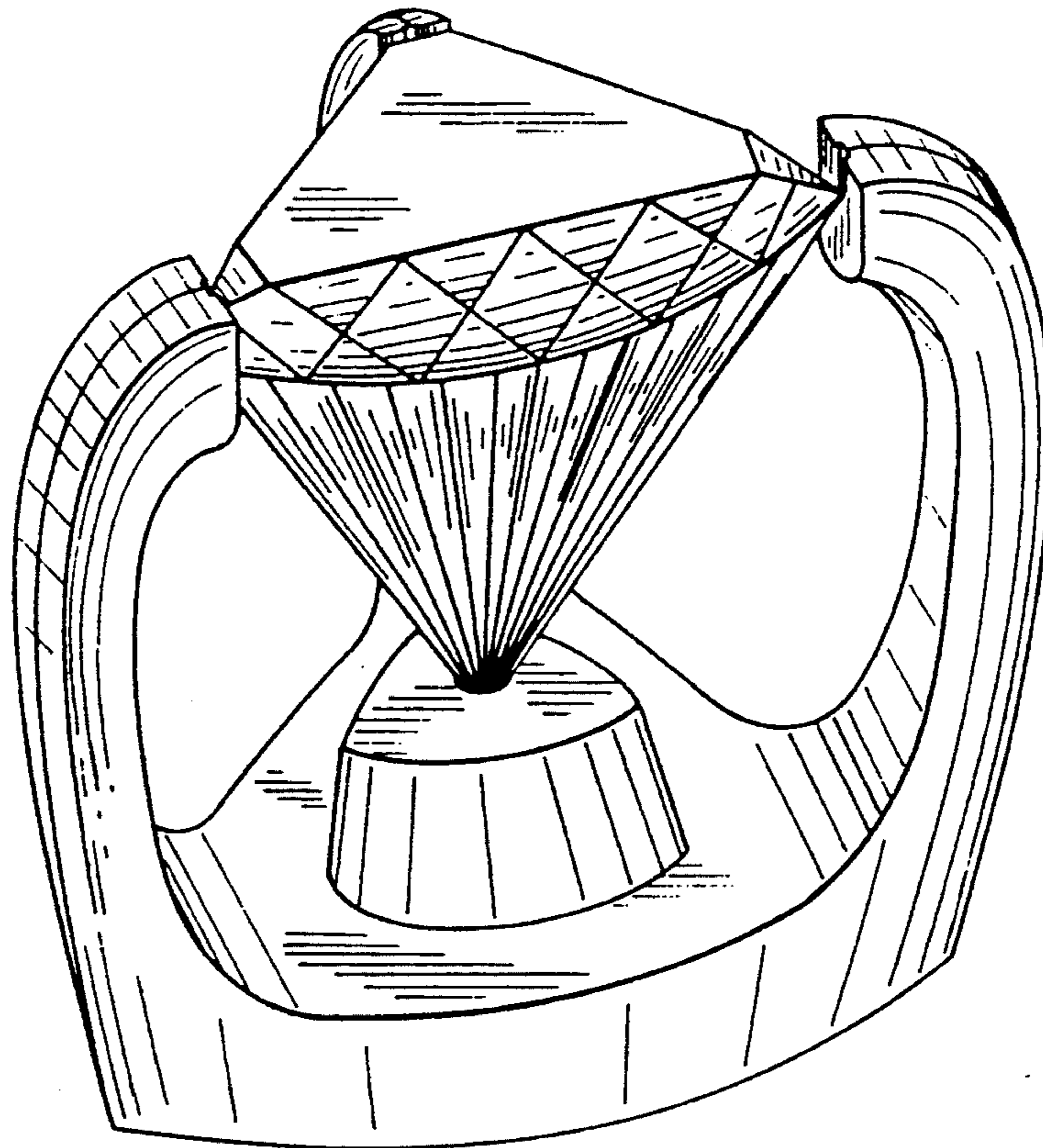
FIG. 5 is a perspective view thereof.

[56] **References Cited**

U.S. PATENT DOCUMENTS

D. 143,988 2/1946 Pennino D11/86
D. 193,865 10/1962 Skalet D11/35
D. 270,720 9/1983 Schneider D11/36

The broken line showing of a gemstone in FIG. 1 is for illustrative purposes only and forms no part of the claimed design.



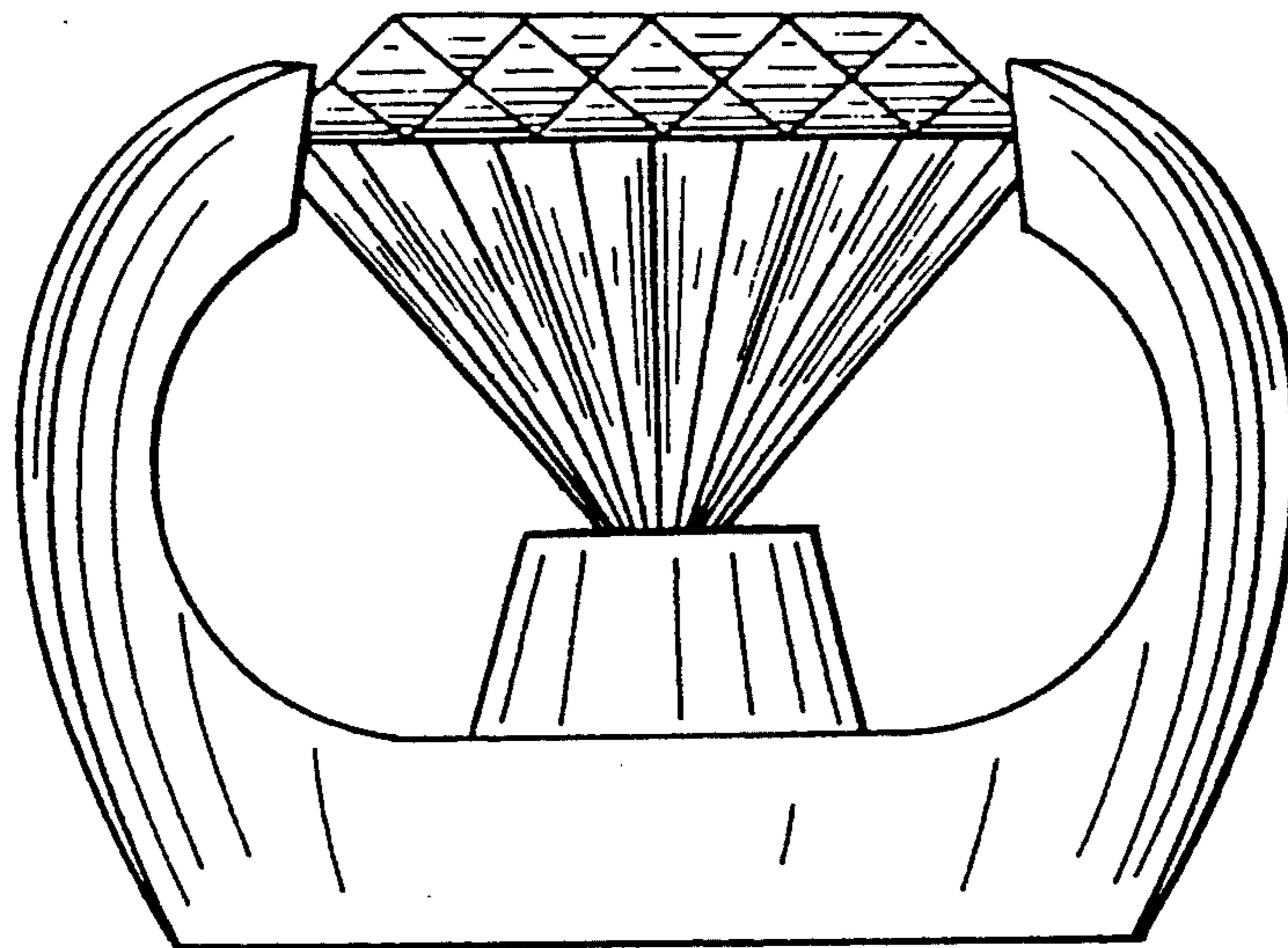


FIG. 1

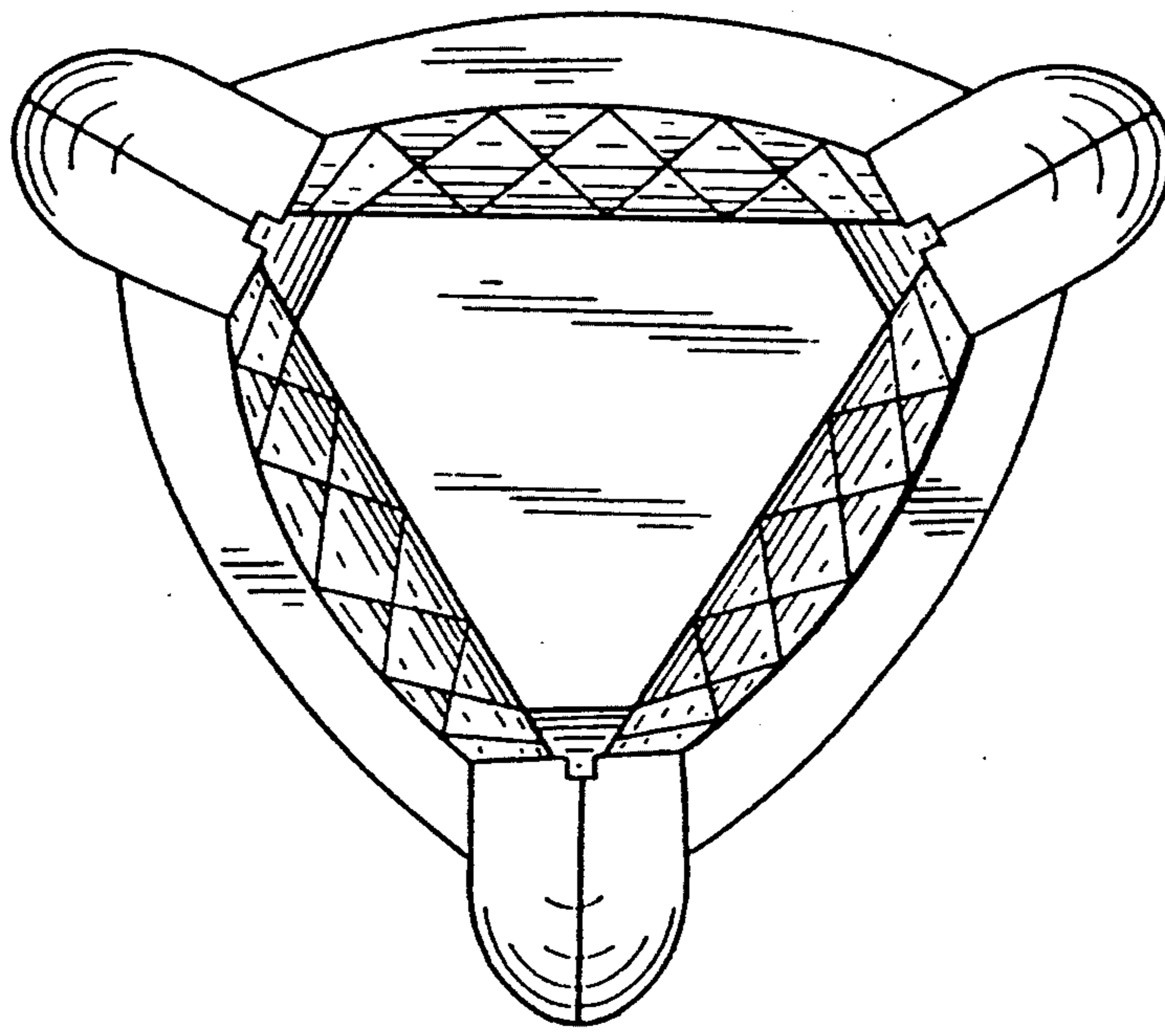


FIG. 2

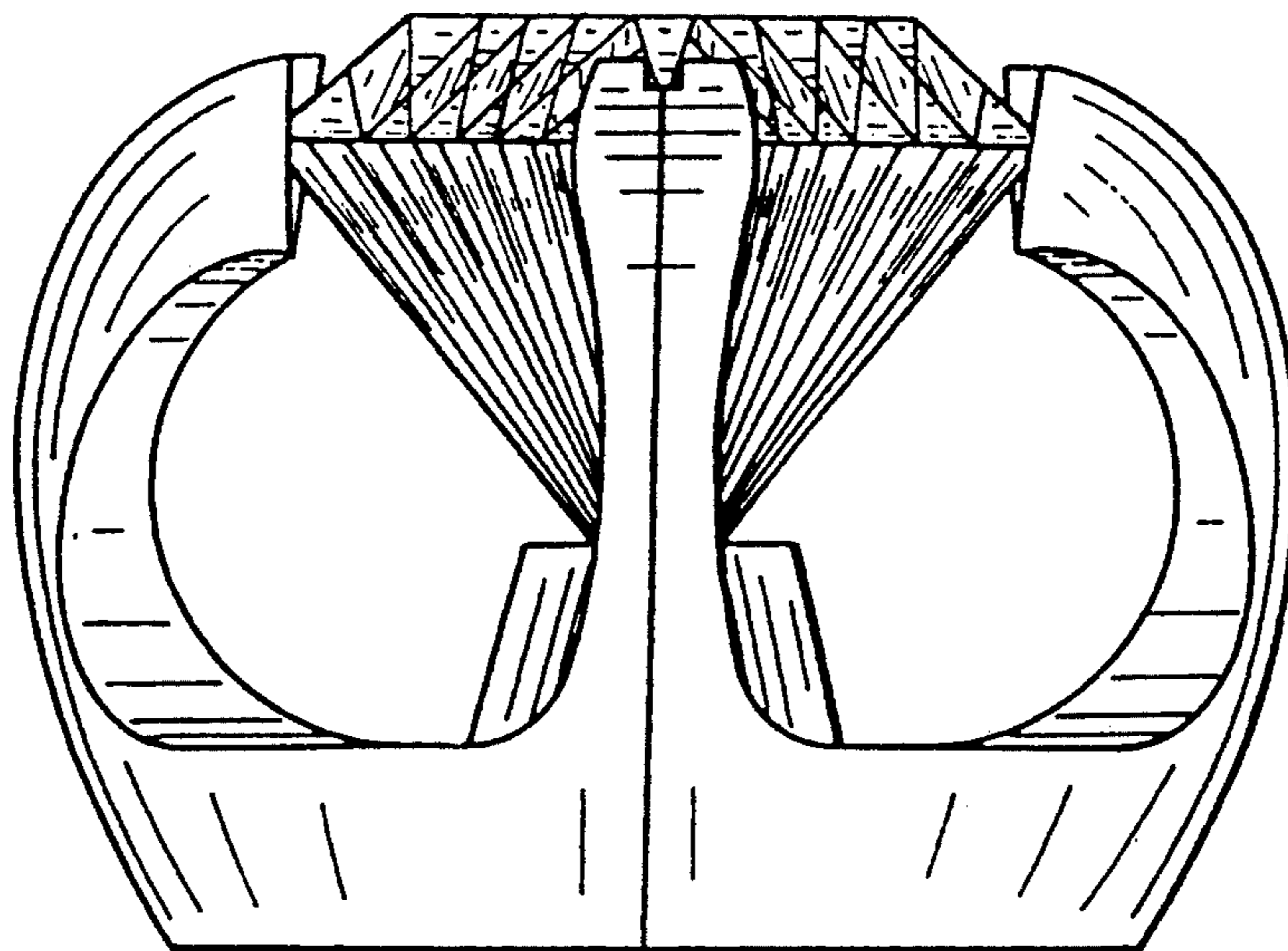


FIG. 3

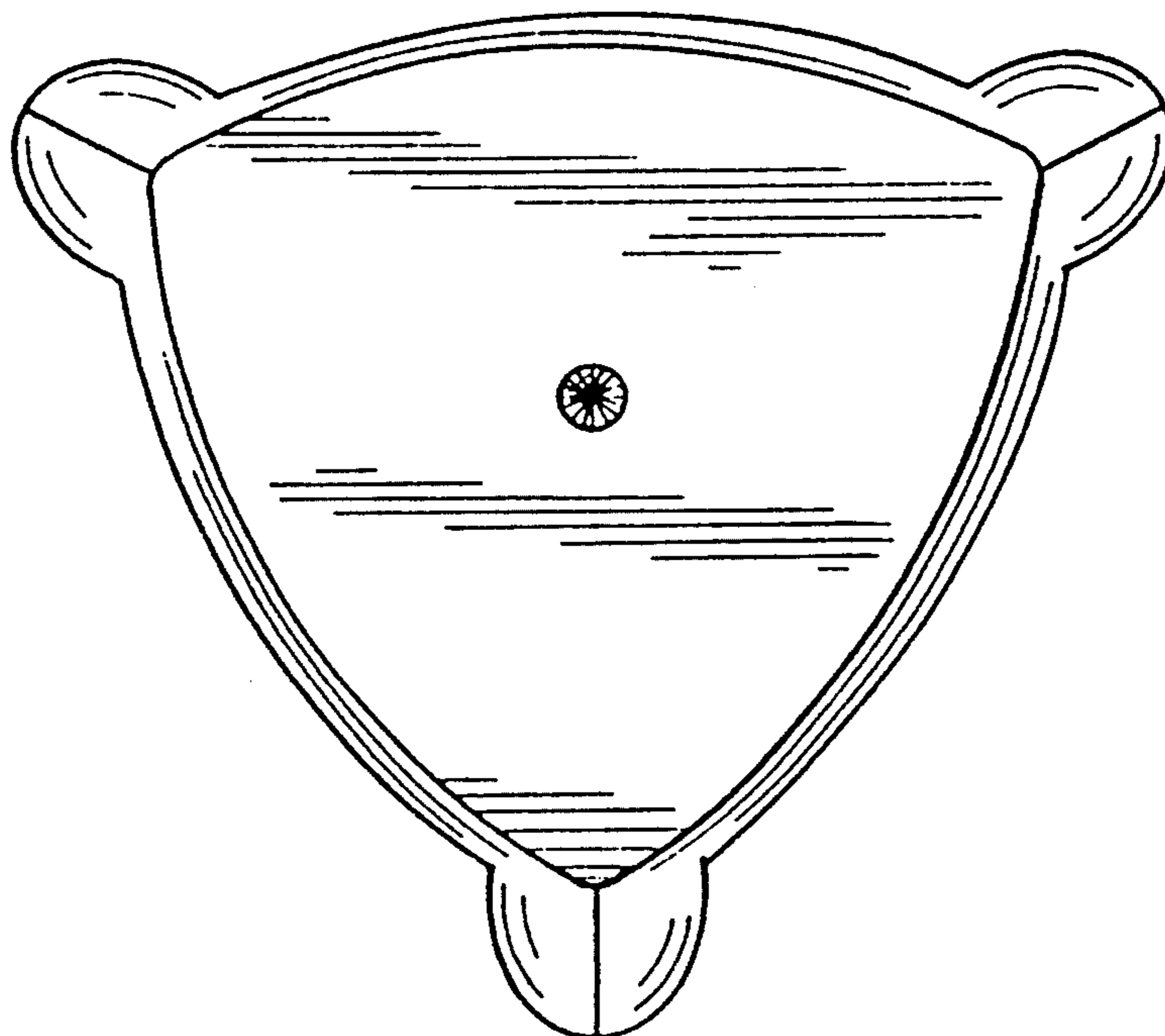


FIG. 4

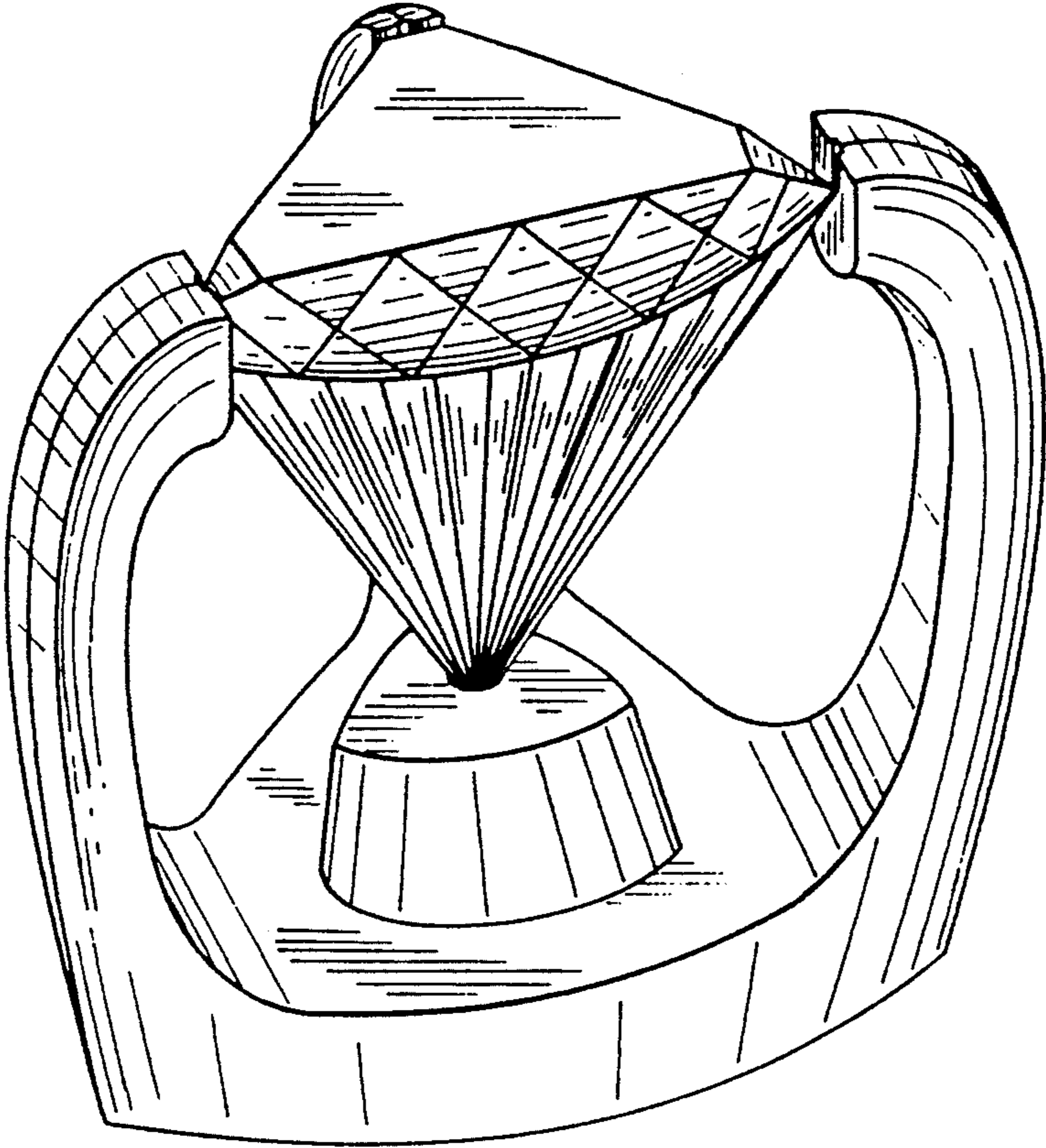


FIG. 5