



US00D346125S

United States Patent [19]

[11] Patent Number: Des. 346,125

Cote et al.

[45] Date of Patent: ** Apr. 19, 1994

[54] PERSONNEL LOCATOR SYSTEM

3,662,257	5/1972	Fujiwara	340/686 X
4,279,433	7/1981	Petaja	.	
4,369,426	1/1983	Merkel	.	
4,792,796	12/1988	Bradshaw	.	
4,833,452	5/1989	Carrier	.	

[76] Inventors: Robert Cote, 45 Prospect Ave., Kentville, Nova Scotia, CN B4N-2L7; Terry Dill, 58 Woodworth Rd., Kentville, Nova Scotia, CN B4N-3V8, both of Canada

Primary Examiner—Alan P. Douglas
Assistant Examiner—Antoine D. Davis
Attorney, Agent, or Firm—Terry M. Gernstein

[**] Term: 14 Years

[57] CLAIM

[21] Appl. No.: 2,383

The ornamental design for a personnel locator system, as shown and described.

[22] Filed: Dec. 11, 1992

[52] U.S. Cl. D10/104; D10/106; D10/65

DESCRIPTION

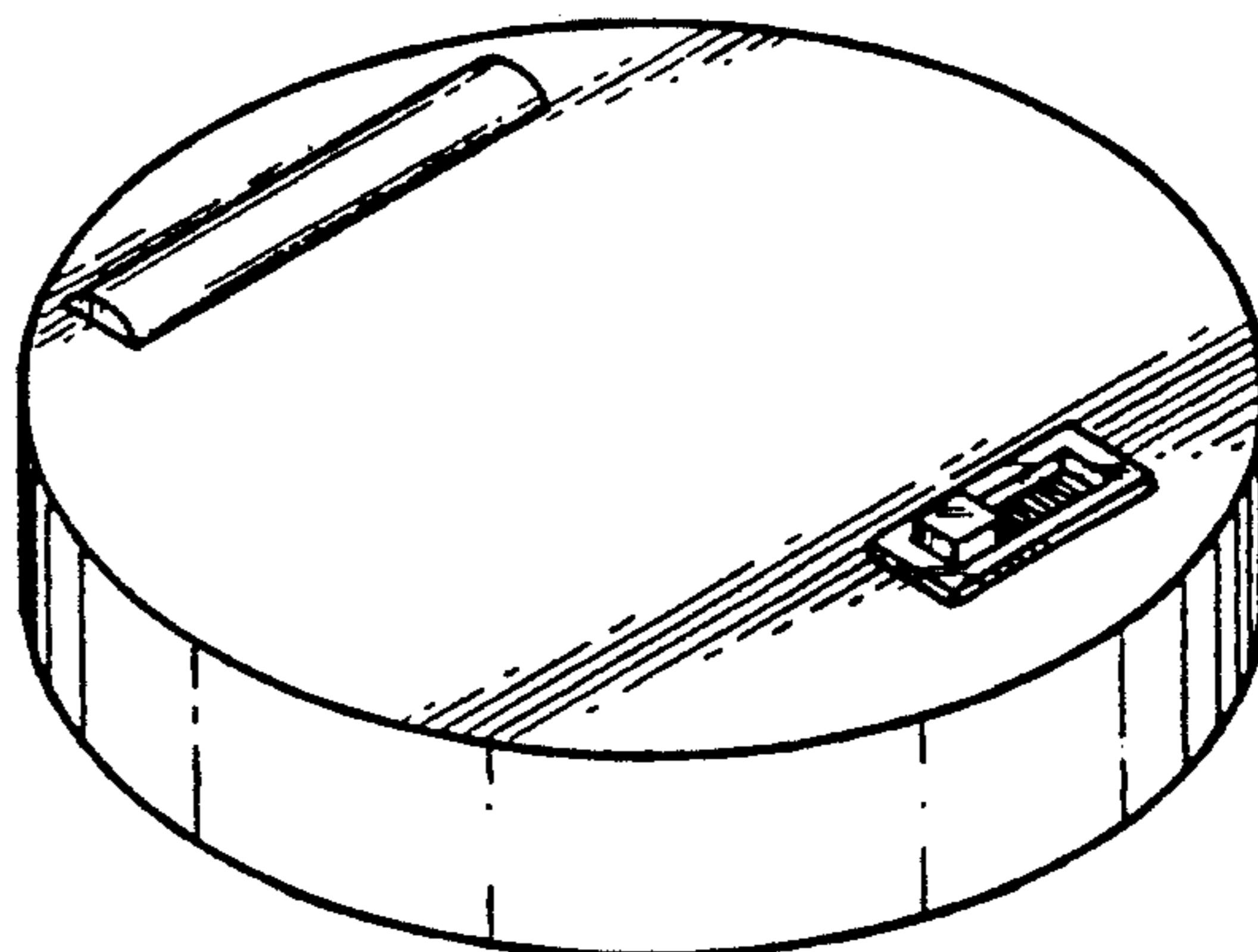
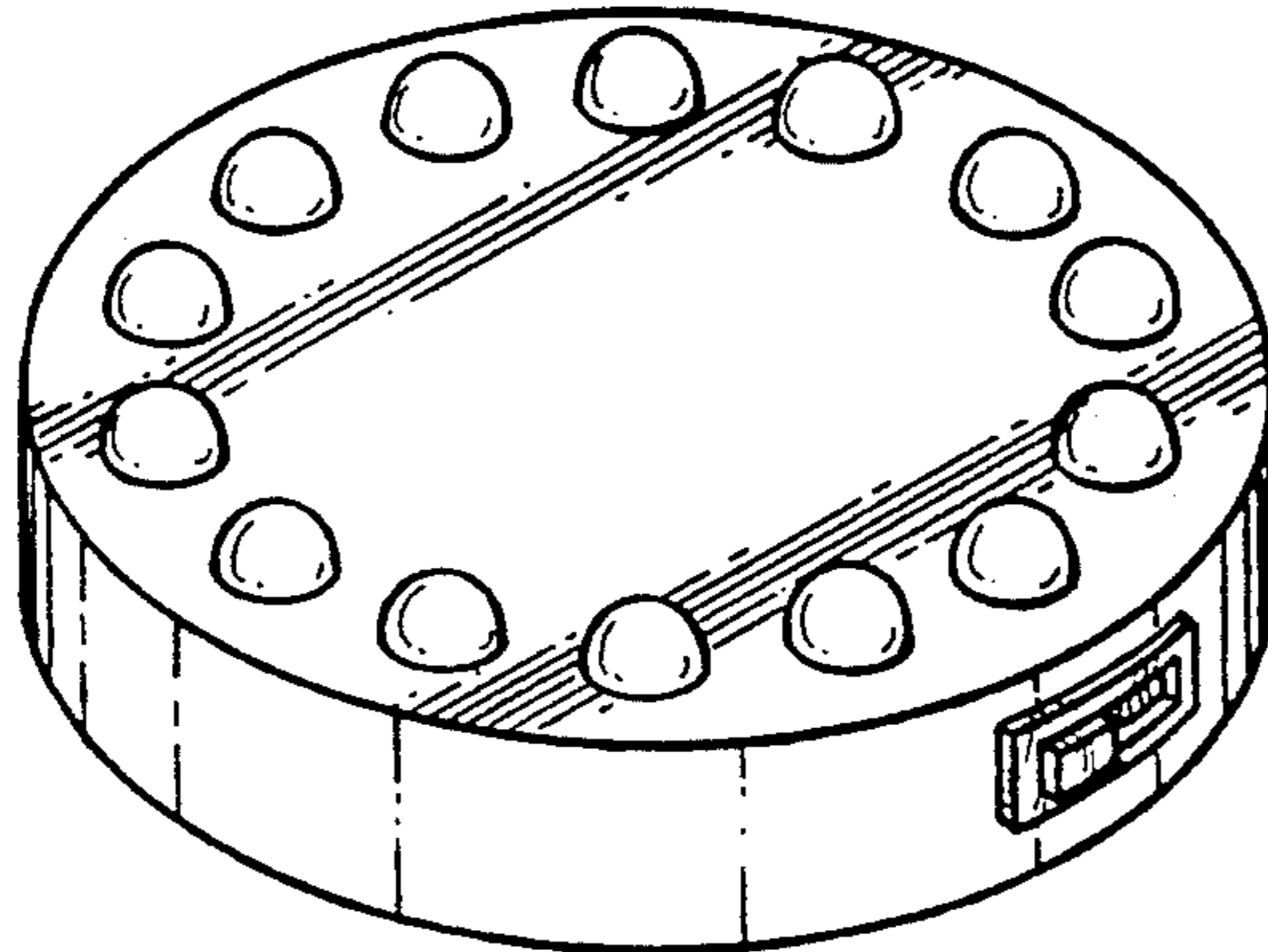
[58] Field of Search 340/686, 691, 944; D10/65, 104, 106, 109, 113

FIG. 1 is a front, top and side perspective view of the personnel locator system showing our new design; FIG. 2 is a front elevational view thereof; FIG. 3 is a left side elevational view thereof; FIG. 4 is a right side elevational view thereof; FIG. 5 is a top plan view thereof; and, FIG. 6 is a bottom plan view thereof.

[56] References Cited

U.S. PATENT DOCUMENTS

D. 119,200	2/1940	Van Houten	D10/106
D. 332,230	1/1993	Hightower	D10/106



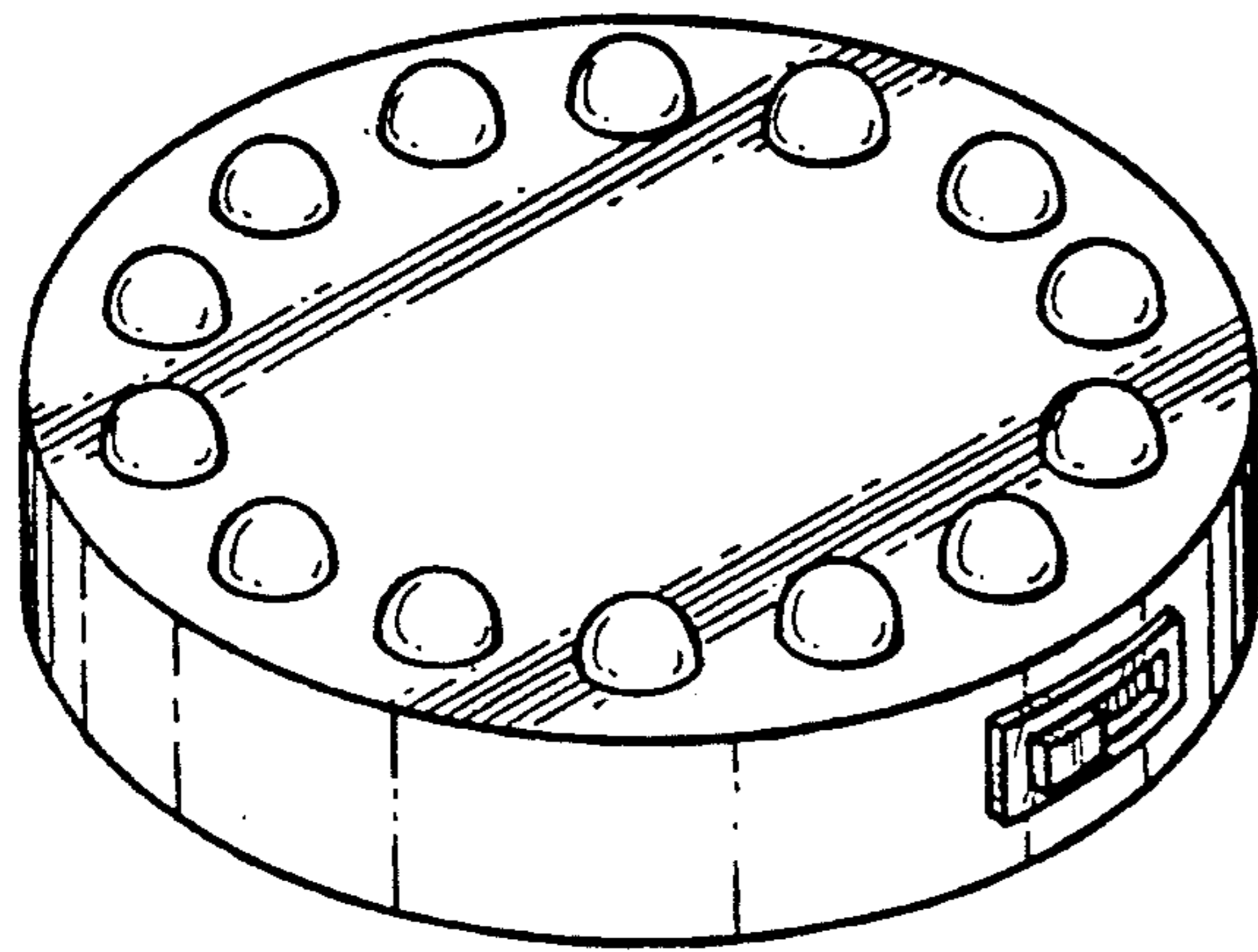
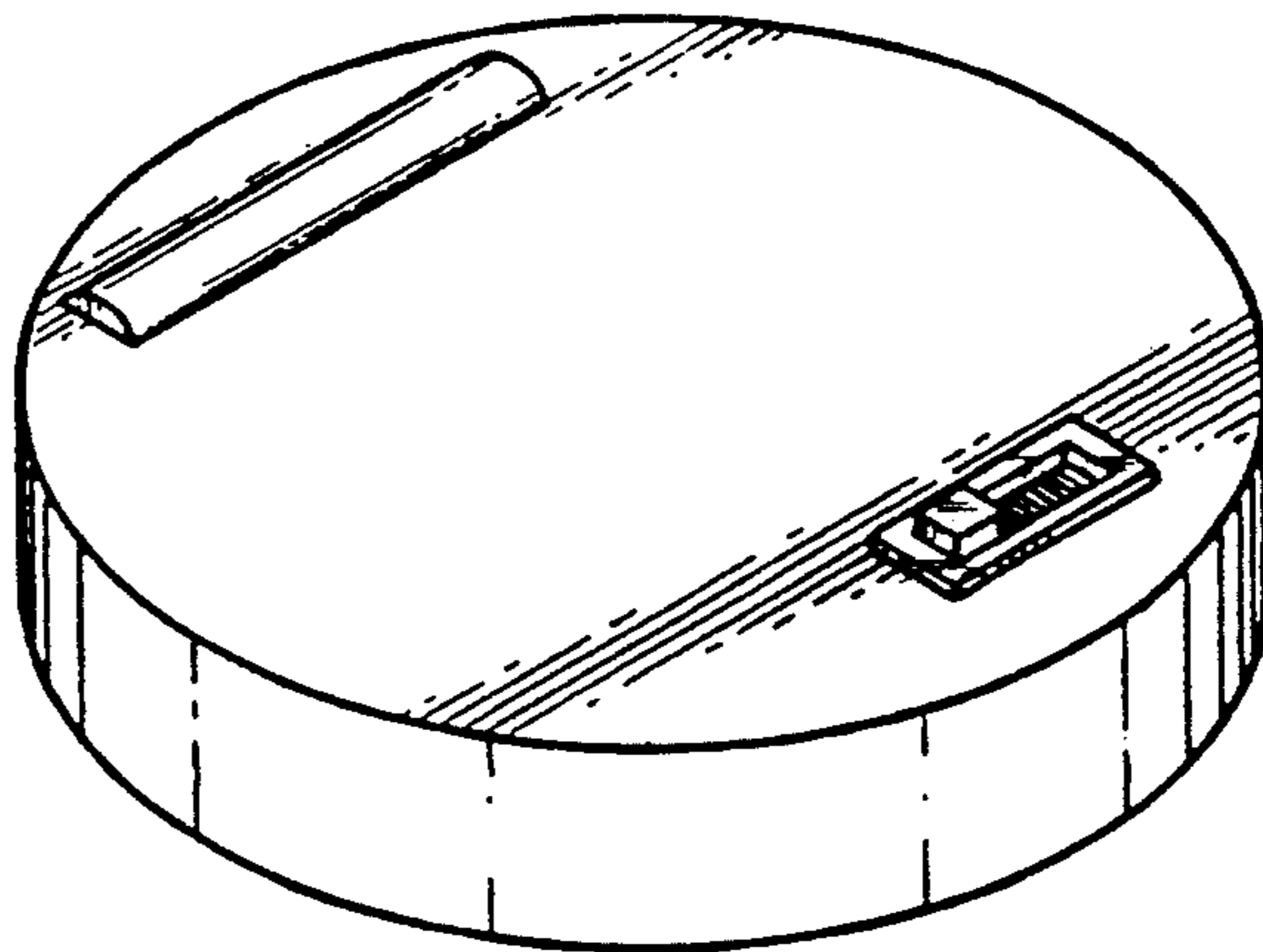


FIG. 1



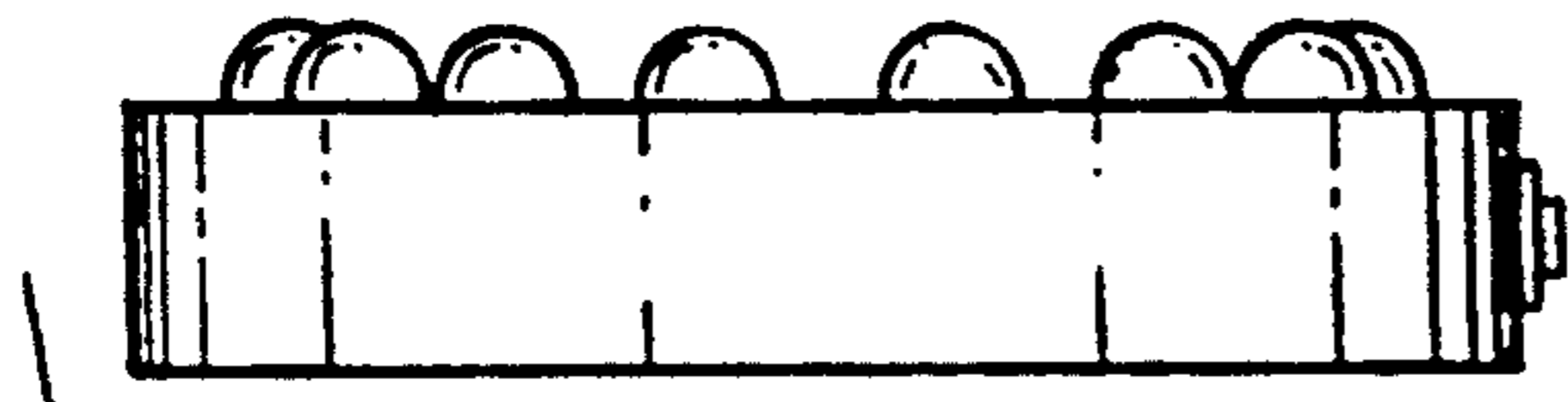


FIG. 2

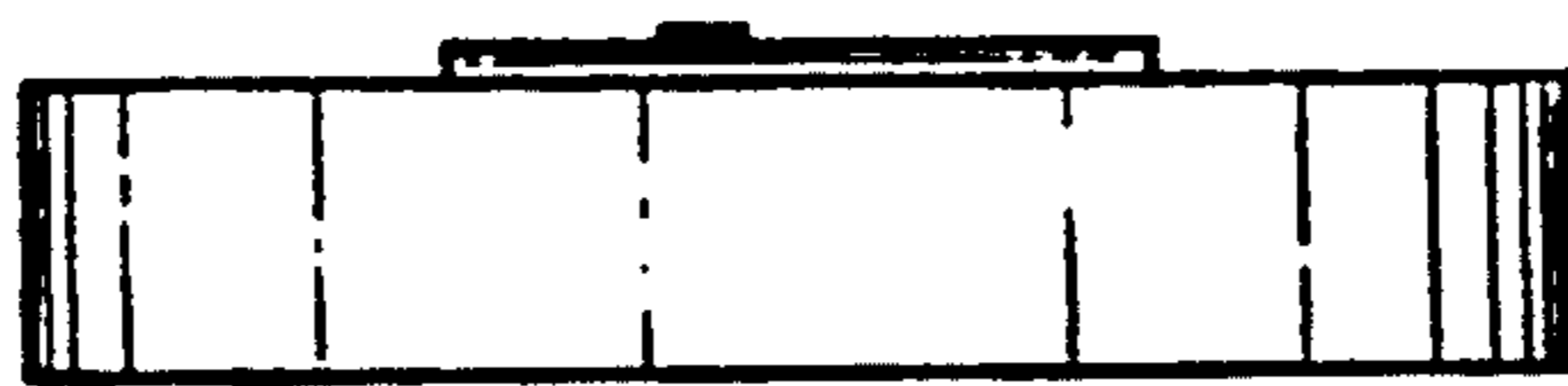
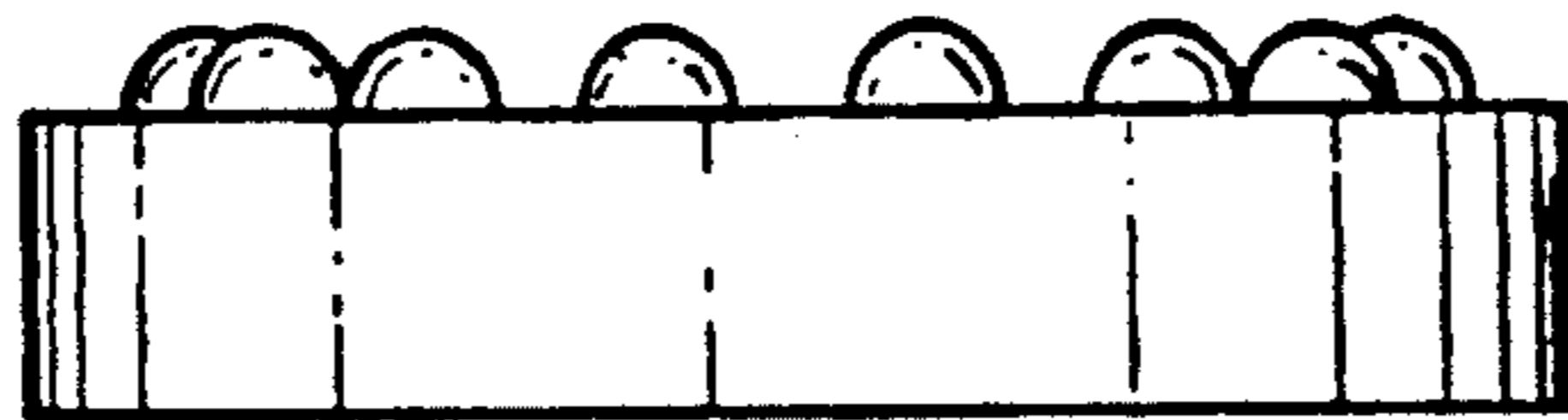
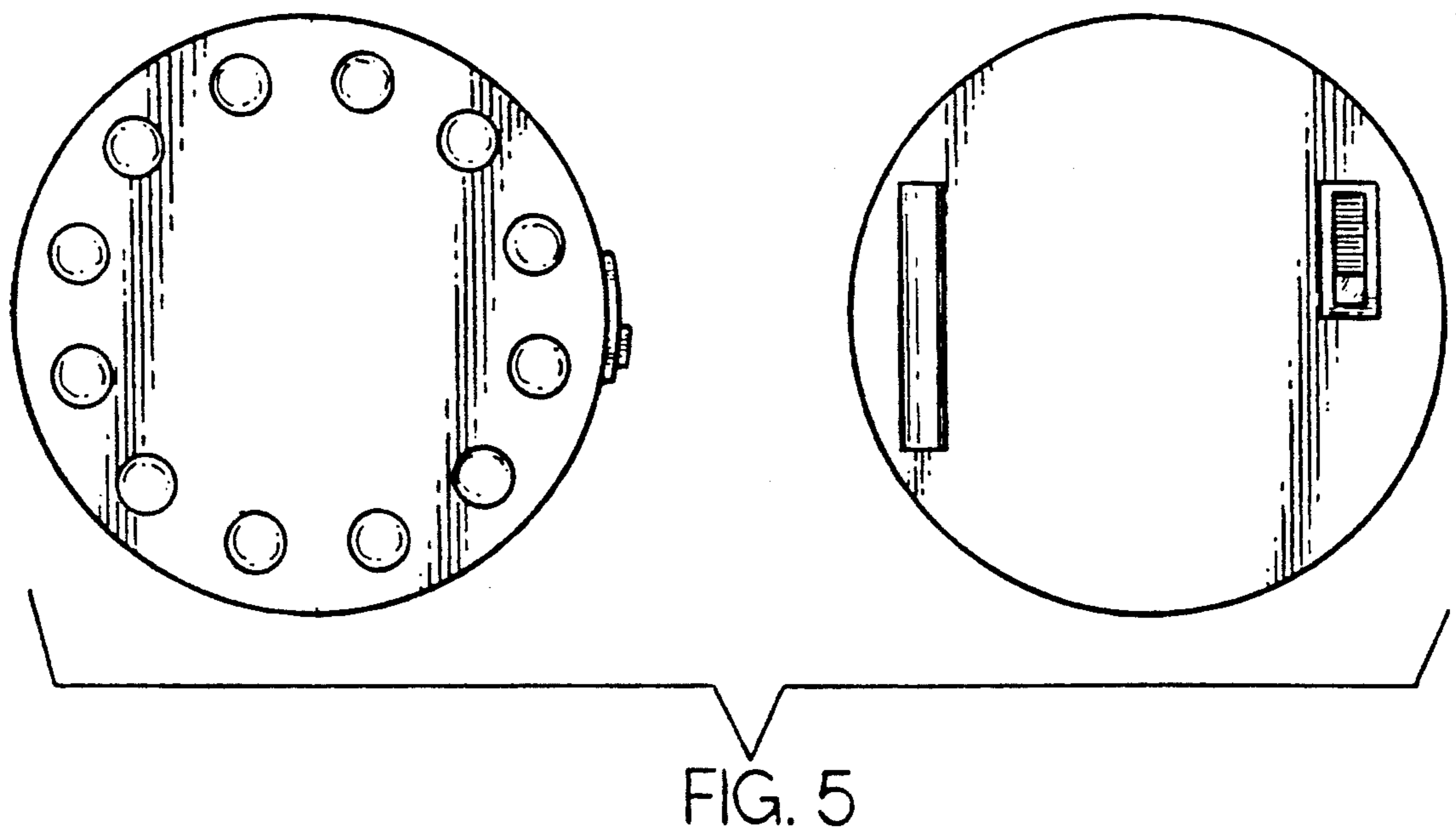
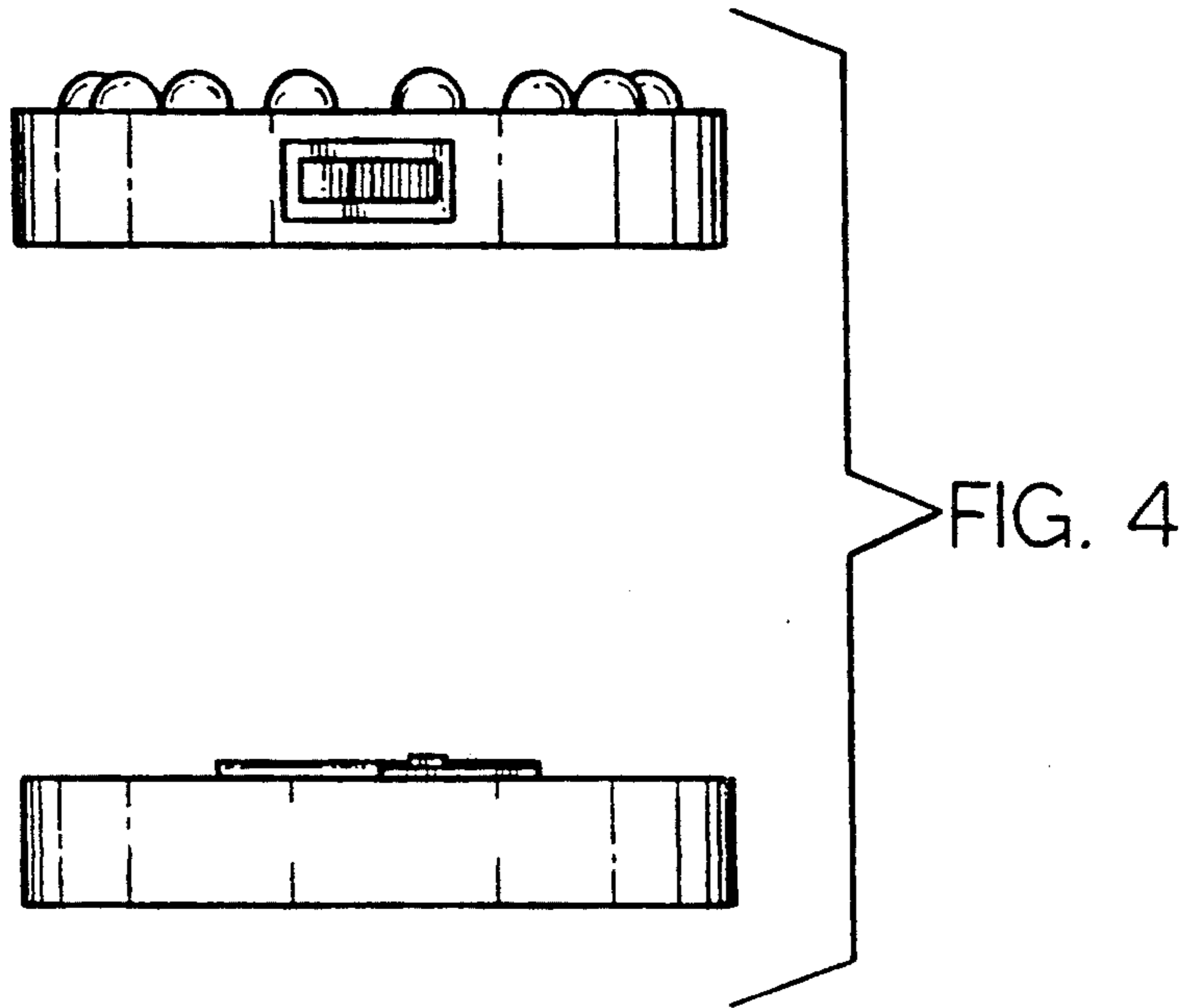


FIG. 3



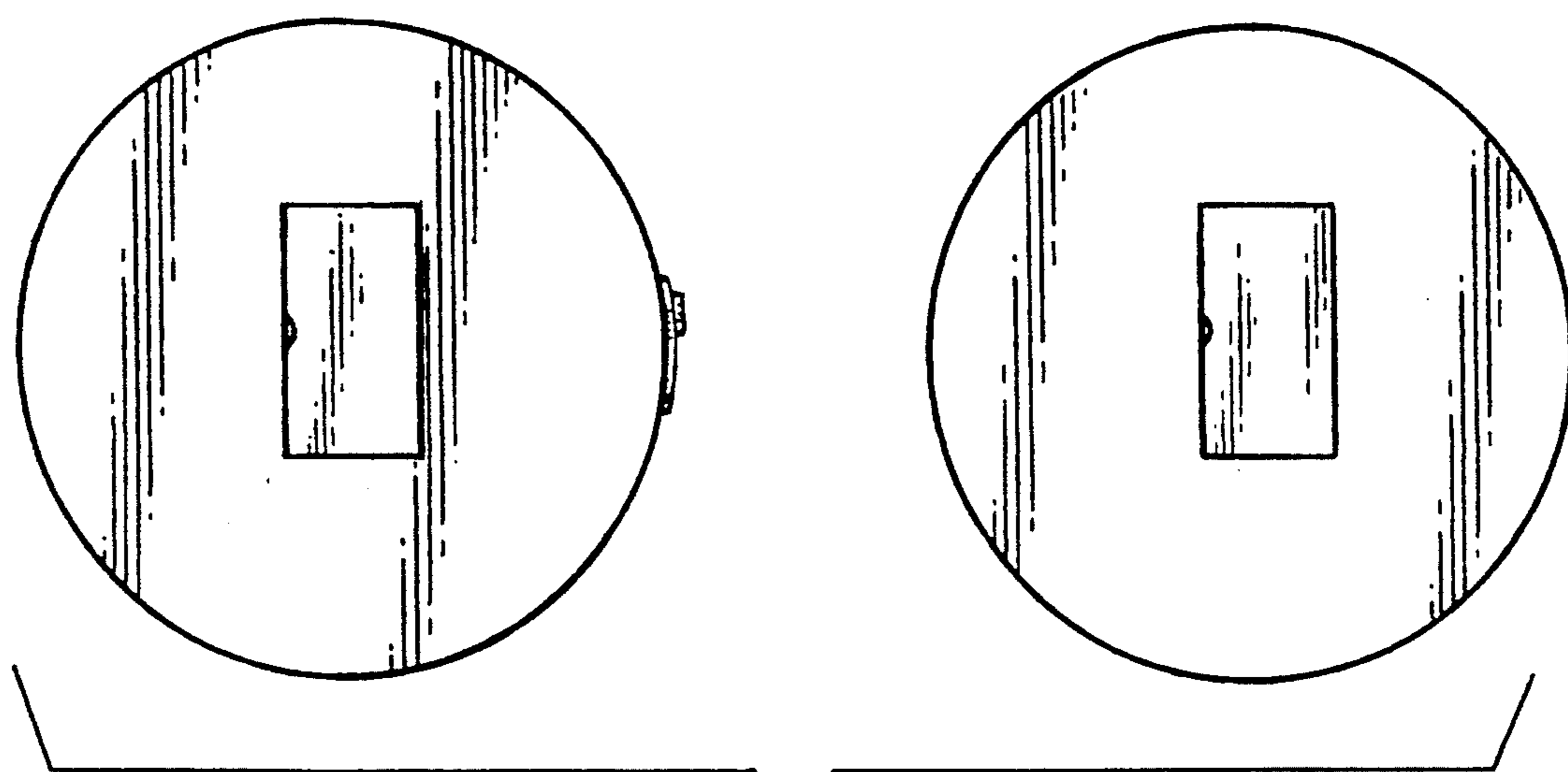


FIG. 6