



US00D346118S

# United States Patent [19] Charriol

[11] Patent Number: **Des. 346,118**  
[45] Date of Patent: **\*\* Apr. 19, 1994**

[54] **WATCH CASE**

[76] Inventor: **Philippe Charriol, 66 Black's Link, Hong Kong, Hong Kong**

[\*\*] Term: **14 Years**

[21] Appl. No.: **597,754**

[22] Filed: **Oct. 15, 1990**

[30] **Foreign Application Priority Data**

Apr. 19, 1990 [WO] World Int. Prop. O. .... DM/016468

[52] U.S. Cl. .... **D10/30; D10/38**

[58] Field of Search ..... 368/280-282,  
368/285; D10/1-40, 122-132

[56] **References Cited**

**U.S. PATENT DOCUMENTS**

D. 289,381	4/1987	Schneider	.....	D10/32
D. 301,986	7/1989	Hyser	.....	D10/32
D. 316,676	5/1991	Houlihan	.....	D10/32
D. 319,789	9/1991	Okaya	.....	D10/30
D. 320,751	10/1991	Goto	.....	D10/30 X

**FOREIGN PATENT DOCUMENTS**

2125993 3/1984 United Kingdom ..... D10/

**OTHER PUBLICATIONS**

*Swiss Watch & Jewelry Journal, Feb. 1989-p. 478, "Beret" model at left-center.*

*Swiss Watch & Jewelry Journal-Feb. 1989, p. 564-watch at top-right.*

*Primary Examiner—Nelson C. Holtje  
Attorney, Agent, or Firm—Darby & Darby*

[57] **CLAIM**

The ornamental design for a watch case, as shown and described.

**DESCRIPTION**

FIG. 1 is a top plan view of the watch case embodying my new design;

FIG. 2 is a perspective view;

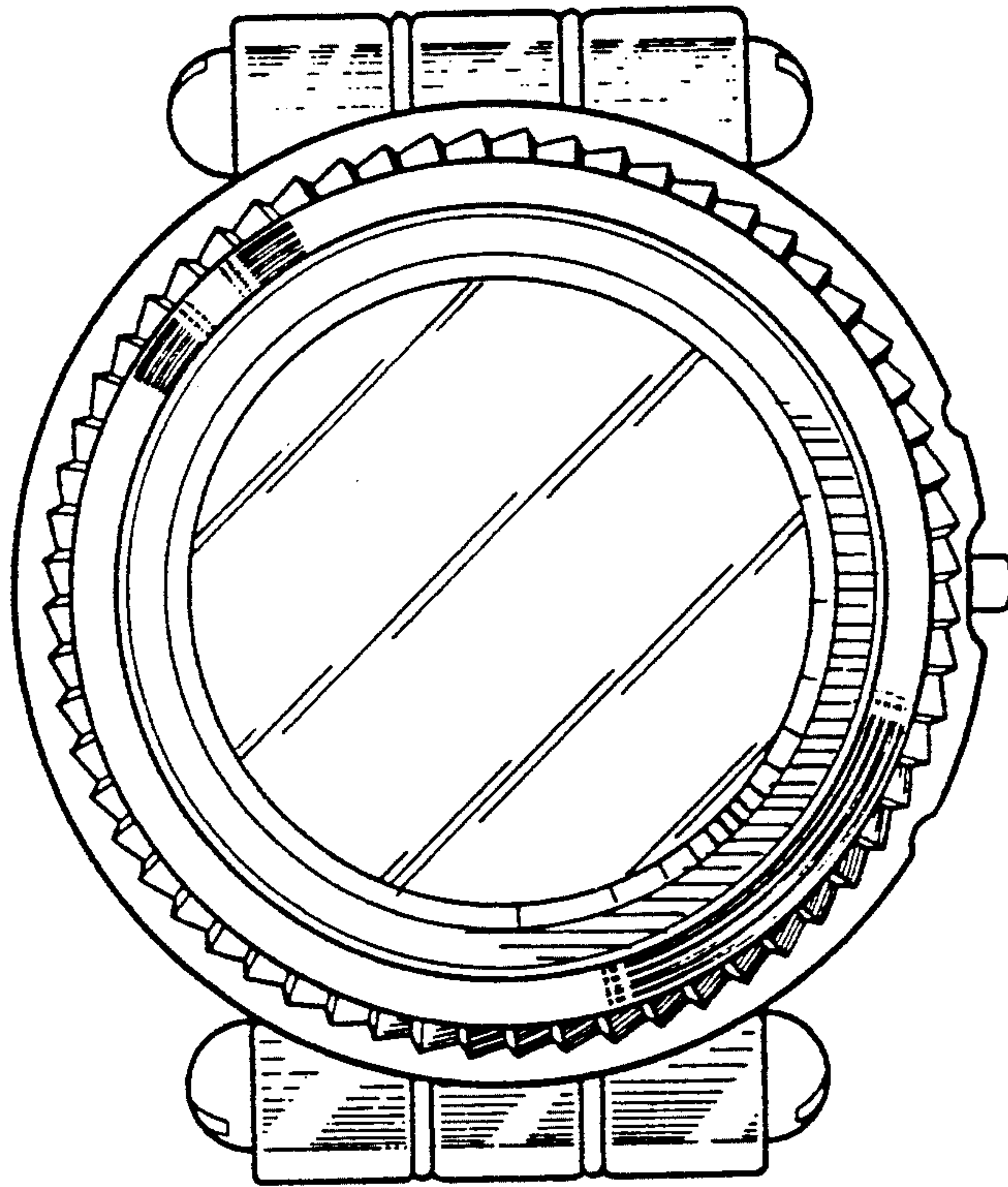
FIG. 3 is a perspective view from the opposite side of FIG. 2;

FIG. 4 is a bottom plan view;

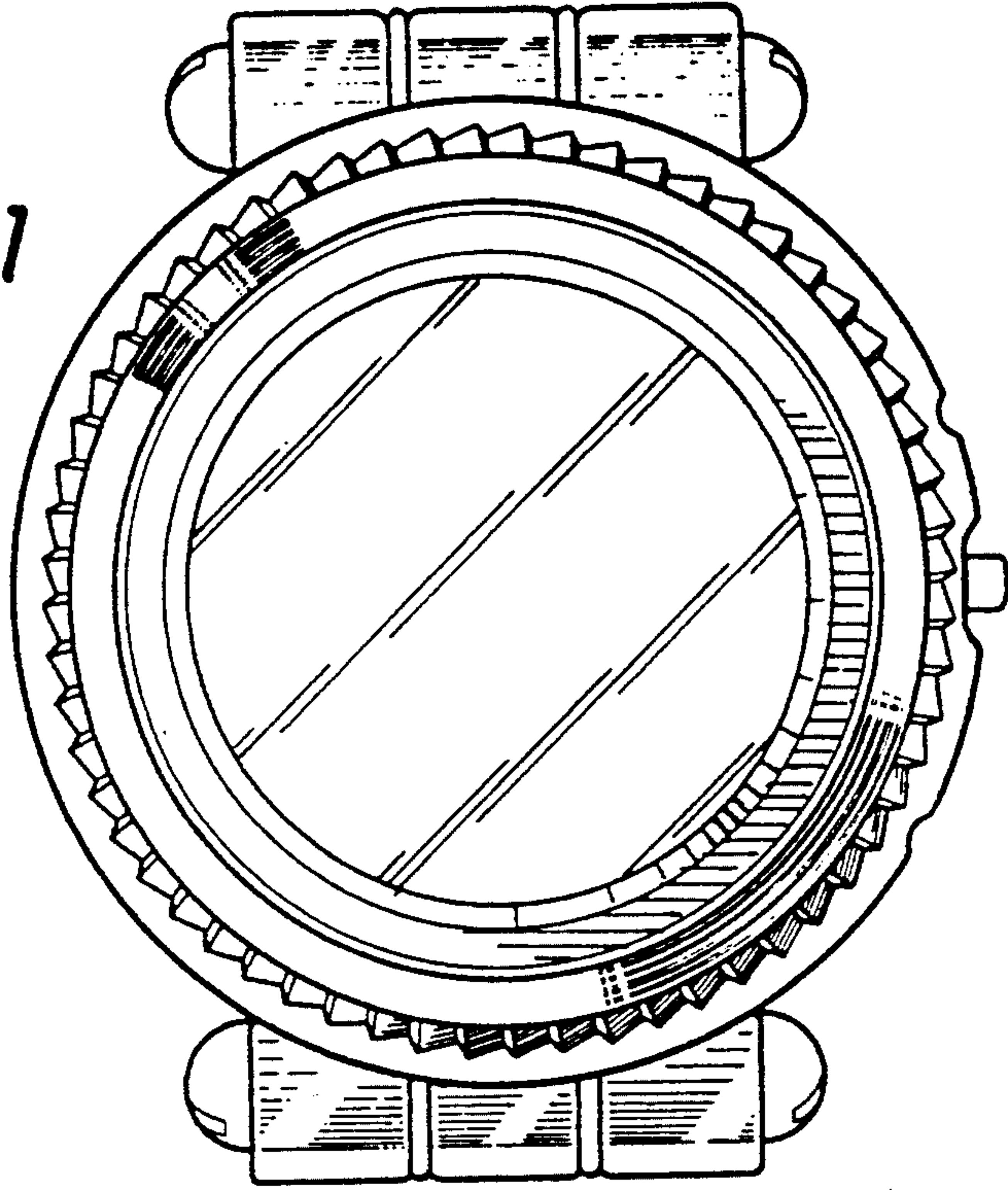
FIG. 5 is a perspective view of one end of the watchcase; and,

FIG. 6 is a perspective view of the opposite end of the watchcase.

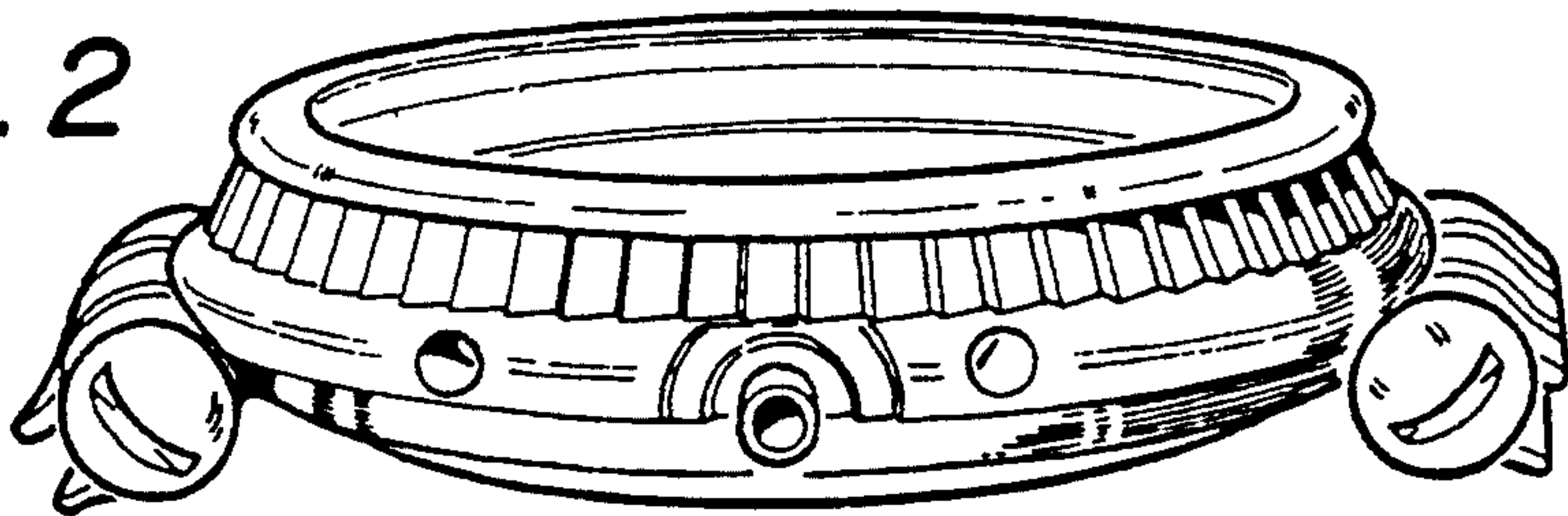
Novel features of the watch case include the special shaped bezel comprising saw teeth.



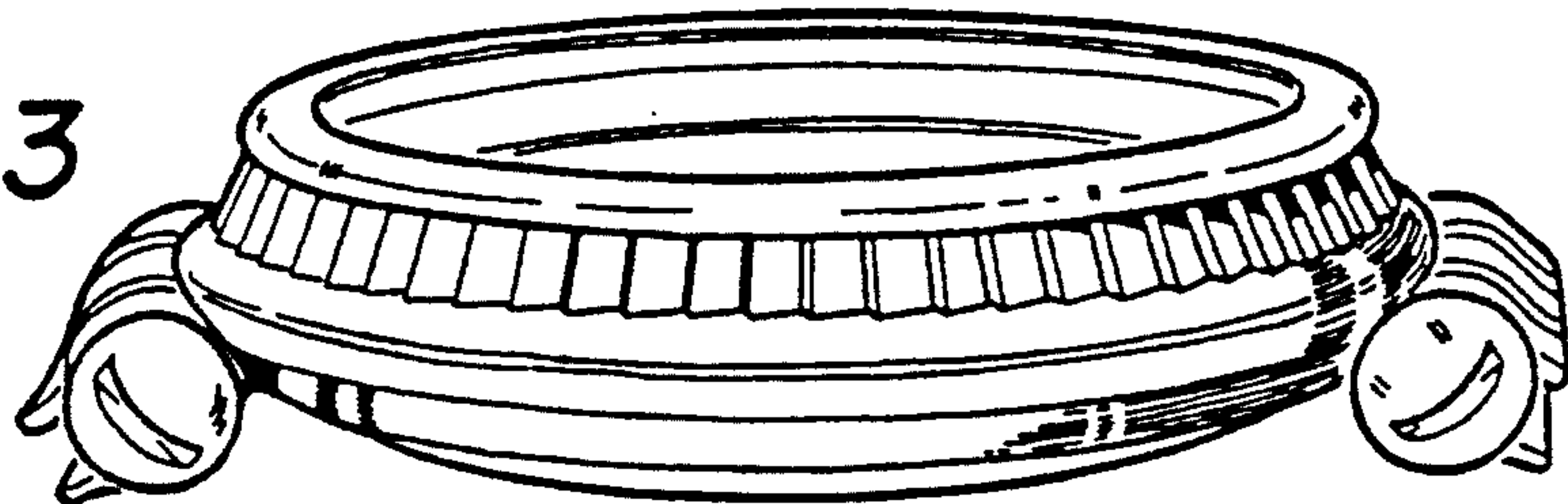
*FIG. 1*



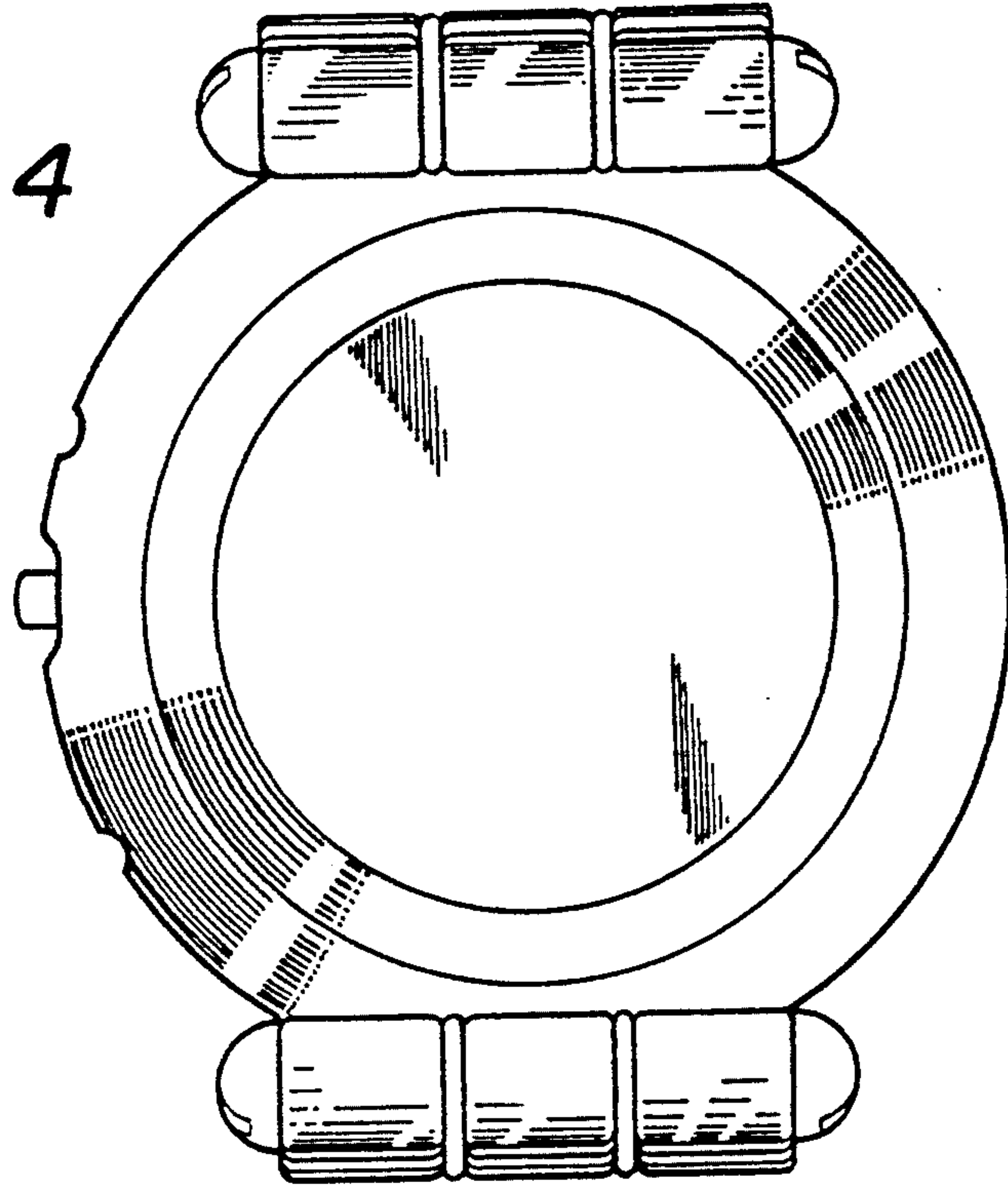
*FIG. 2*



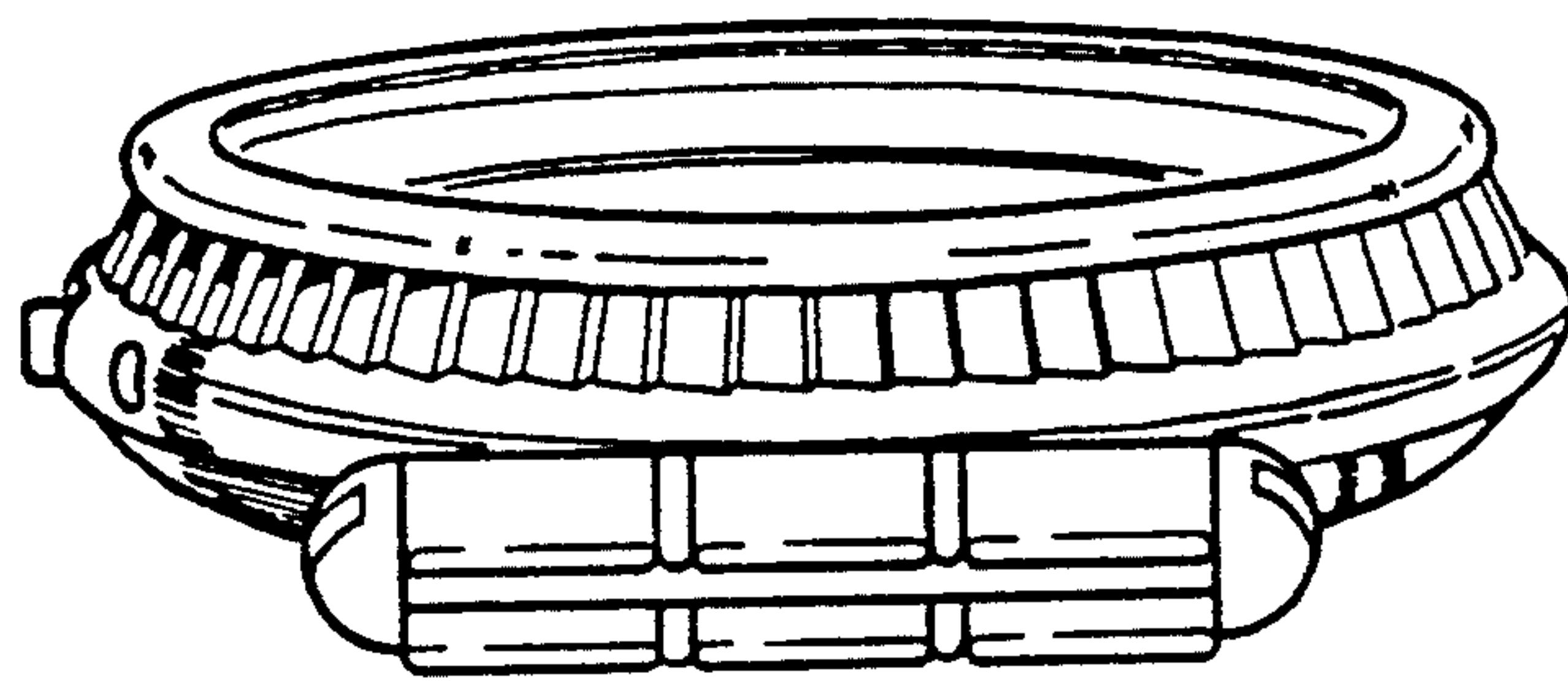
*FIG. 3*



**FIG. 4**



**FIG. 5**



**FIG. 6**

