



US00D346110S

United States Patent [19]

[11] Patent Number: **Des. 346,110**

Hale

[45] Date of Patent: **** Apr. 19, 1994**

[54] STORAGE CONTAINER

Primary Examiner—Bernard Ansher
Assistant Examiner—M. Siegel
Attorney, Agent, or Firm—St. Onge Steward Johnston & Reens

[76] Inventor: **Gary A. Hale**, 51 Brook St., E.
Hartford, Conn. 06108

[**] Term: **14 Years**

[57] **CLAIM**

[21] Appl. No.: **883,305**

The ornamental design for a storage container, as shown and described.

[22] Filed: **May 14, 1992**

DESCRIPTION

[52] U.S. Cl. **D9/316**

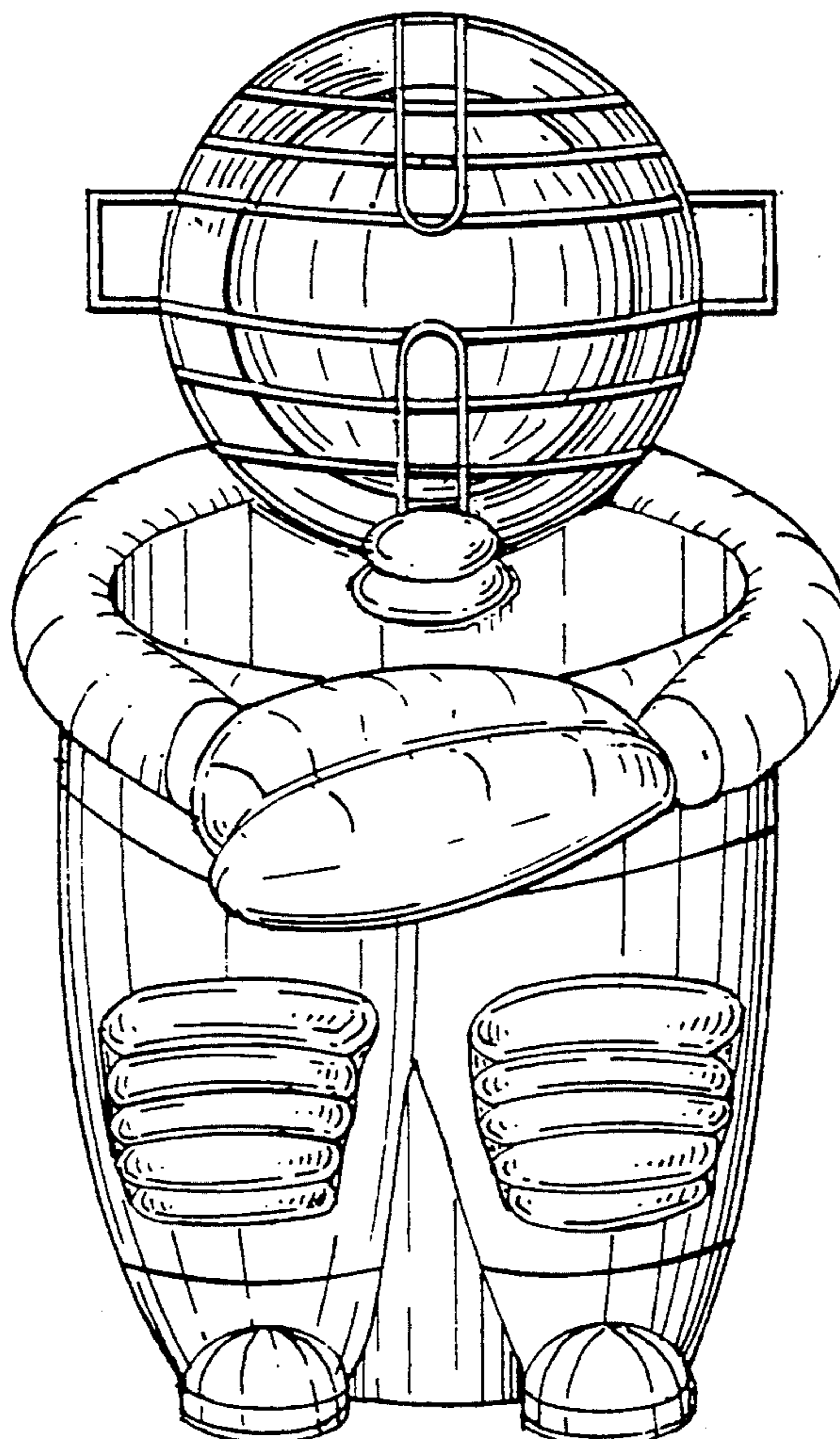
[58] Field of Search D9/307, 311, 316, 319;
206/457; 229/8; D21/177; D32/37; D99/40

FIG. 1 is a left side elevational view of a storage container showing my new design;
FIG. 2 is a right side elevational view thereof;
FIG. 3 is a front elevational view thereof;
FIG. 4 is a rear elevational view thereof;
FIG. 5 is a bottom plan view thereof; FIG. 7 is a top and front isometric view thereof;
FIG. 6 is a top plan view thereof; FIG. 2 is a right side elevational view thereof; and,
FIG. 7 is a top and front isometric view thereof.

[56] **References Cited**

U.S. PATENT DOCUMENTS

- D. 183,211 7/1958 Hansen et al. D32/37
- D. 235,569 6/1975 DeFina D99/40
- D. 242,158 11/1976 Sterba, Jr. D21/177 X
- D. 309,808 8/1990 Phelps et al. D32/37



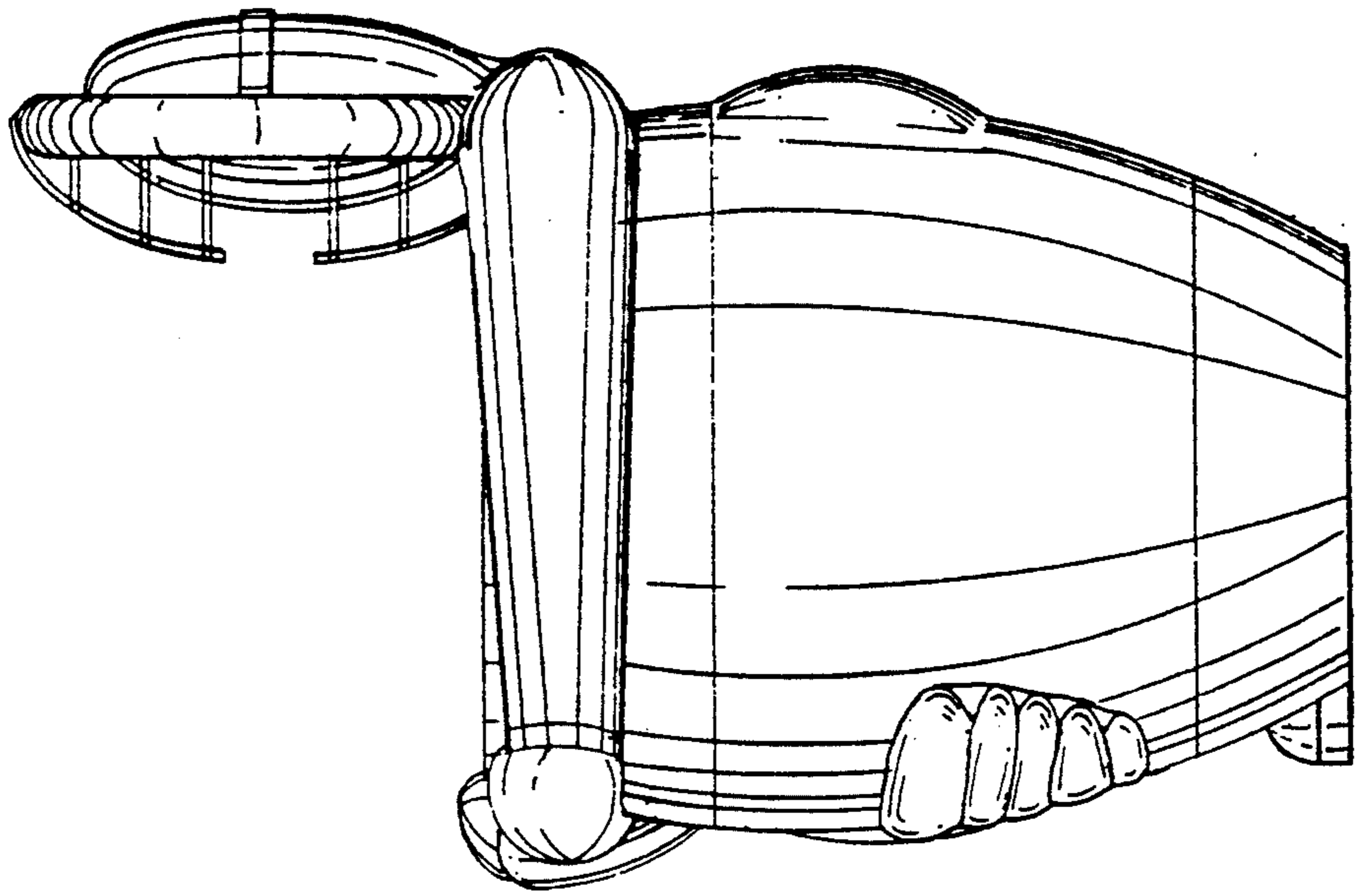


FIG. 2

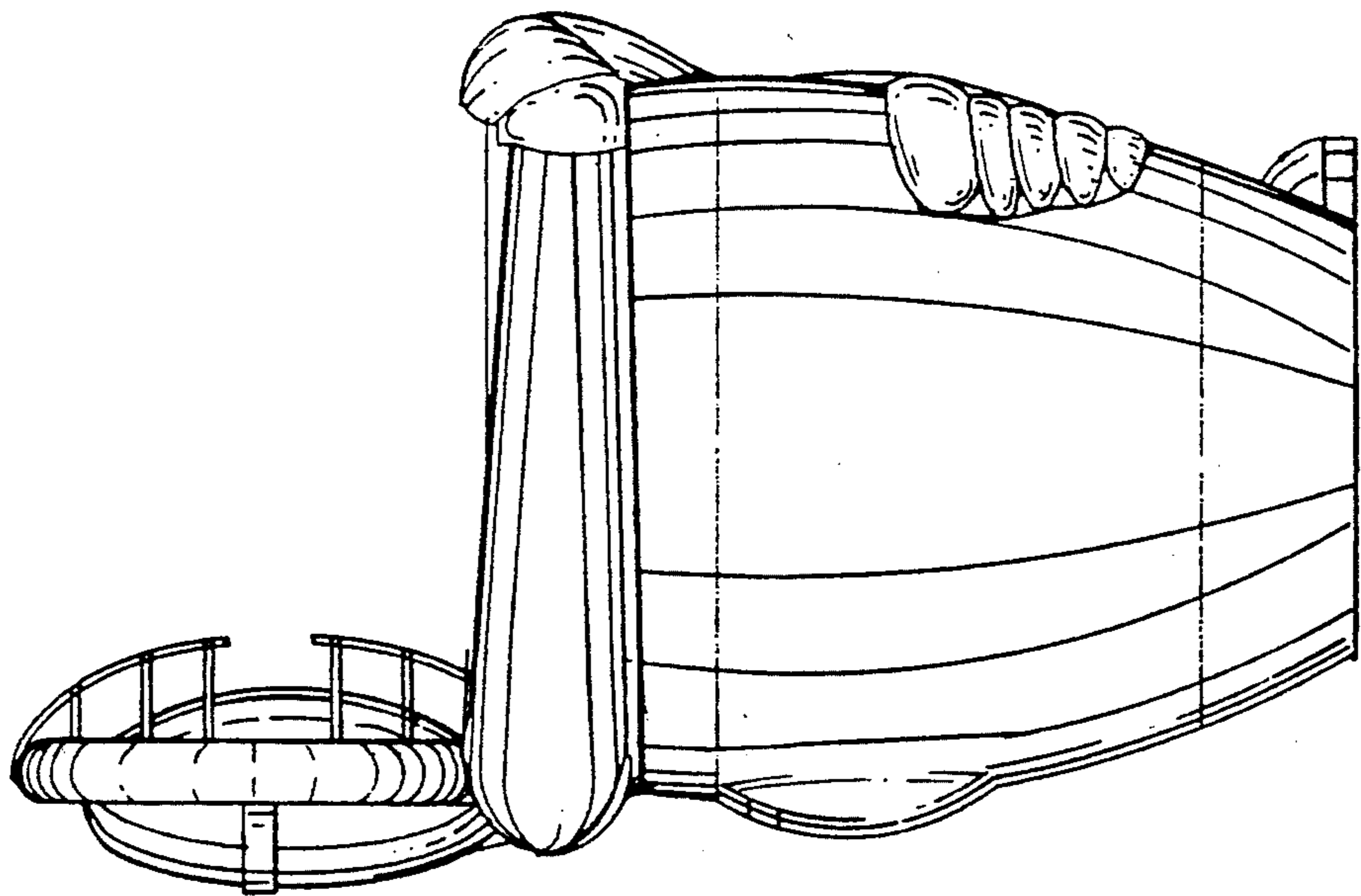


FIG. 1

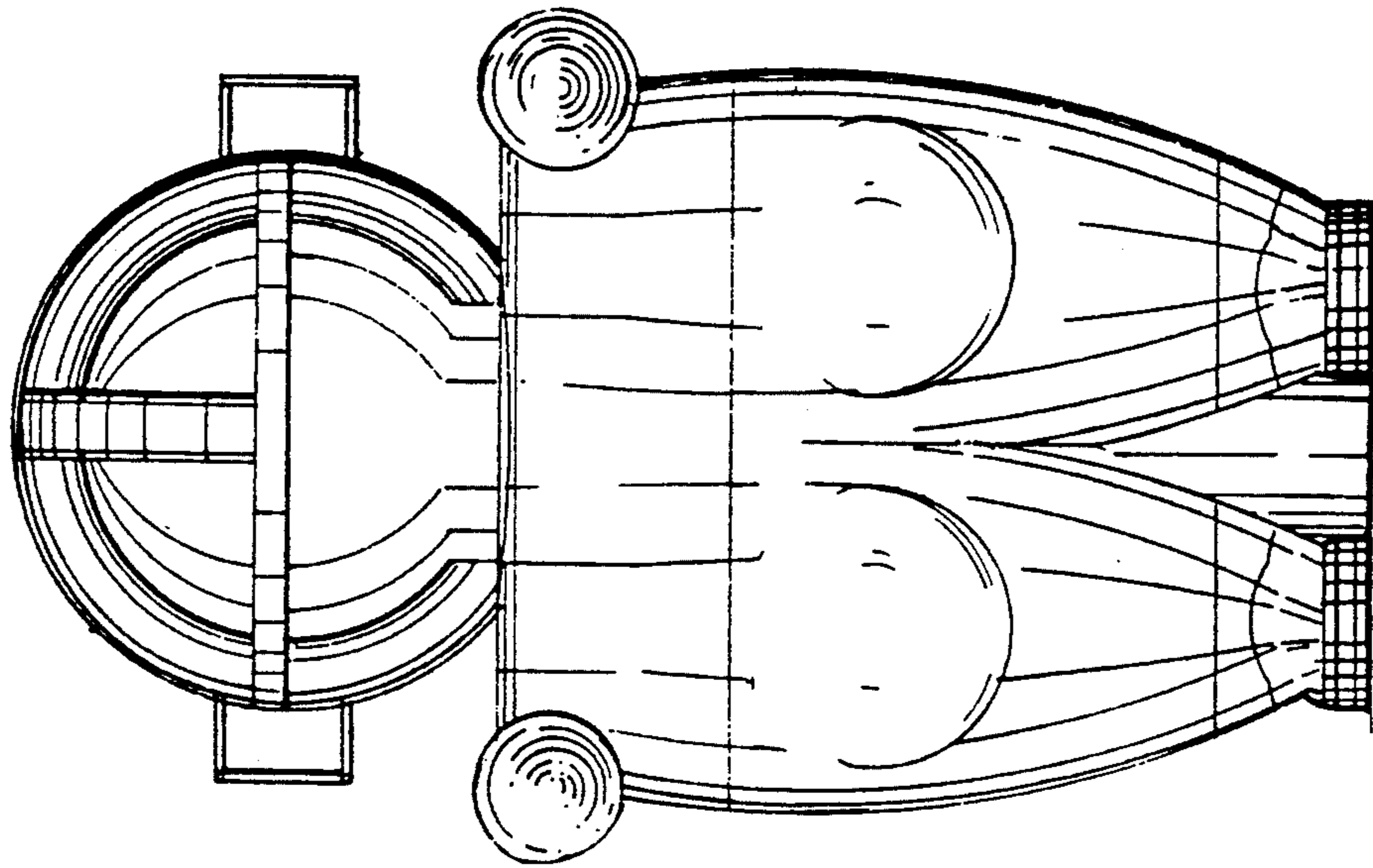


FIG. 4

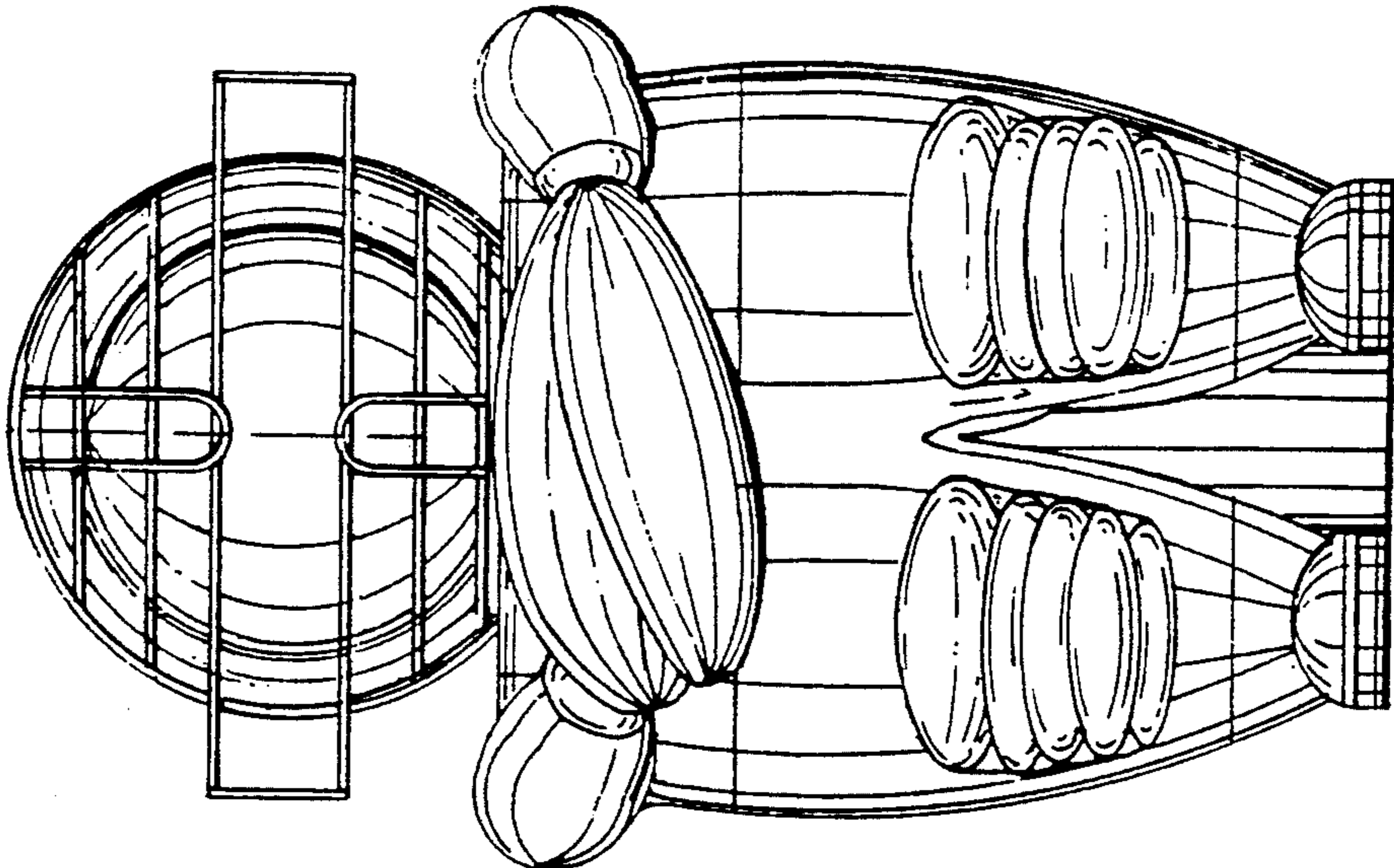


FIG. 3

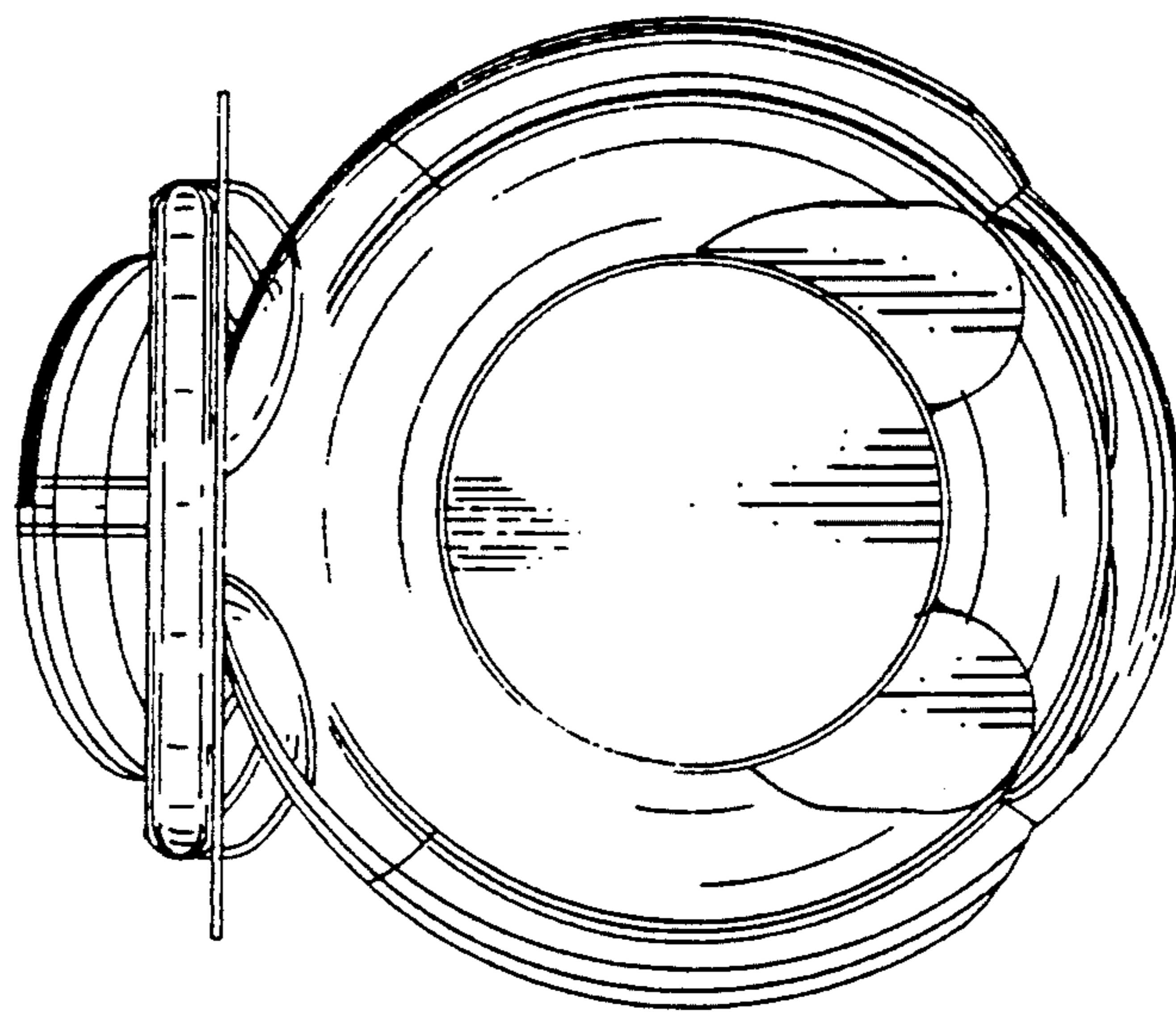


FIG. 5

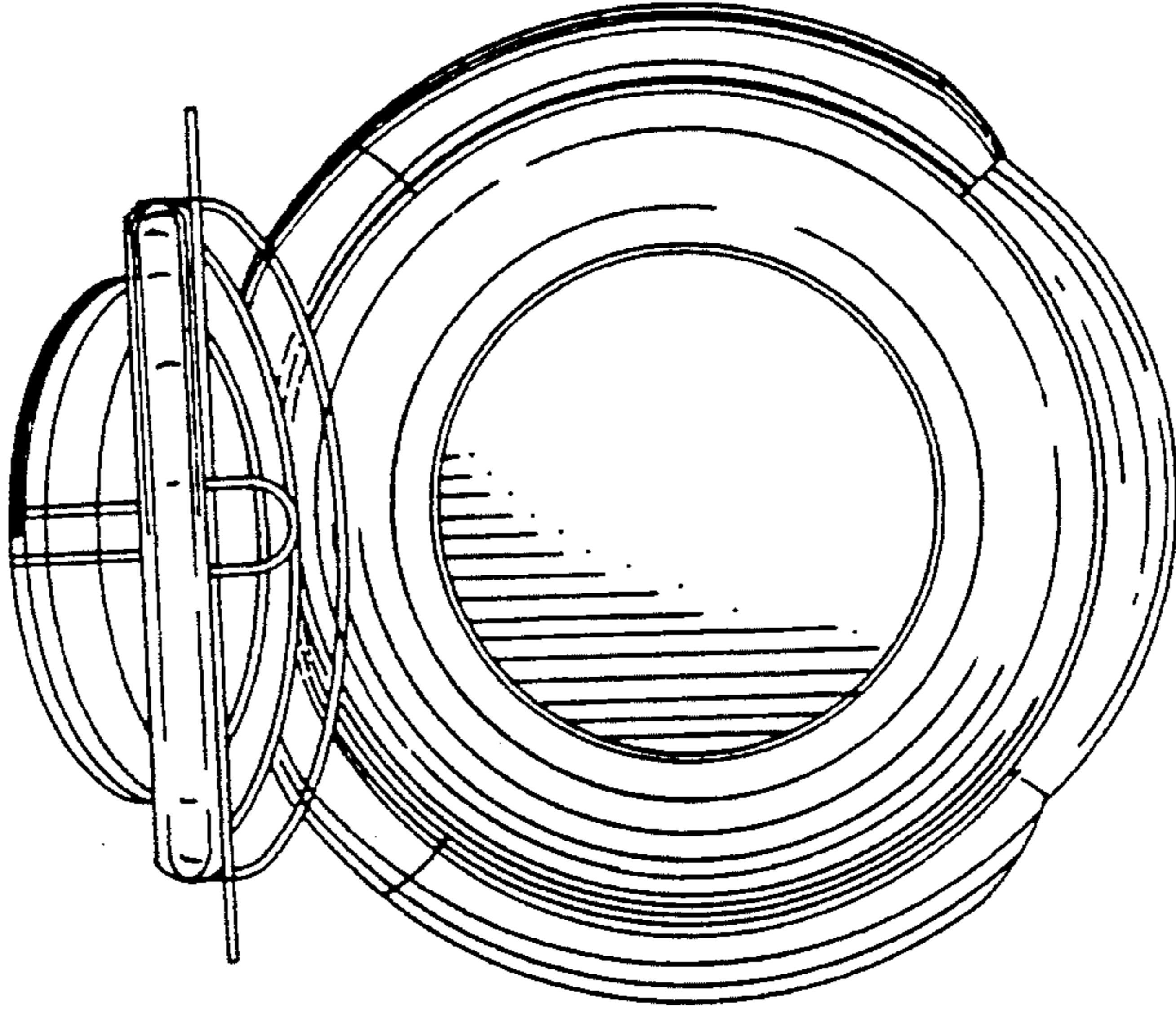


FIG. 6

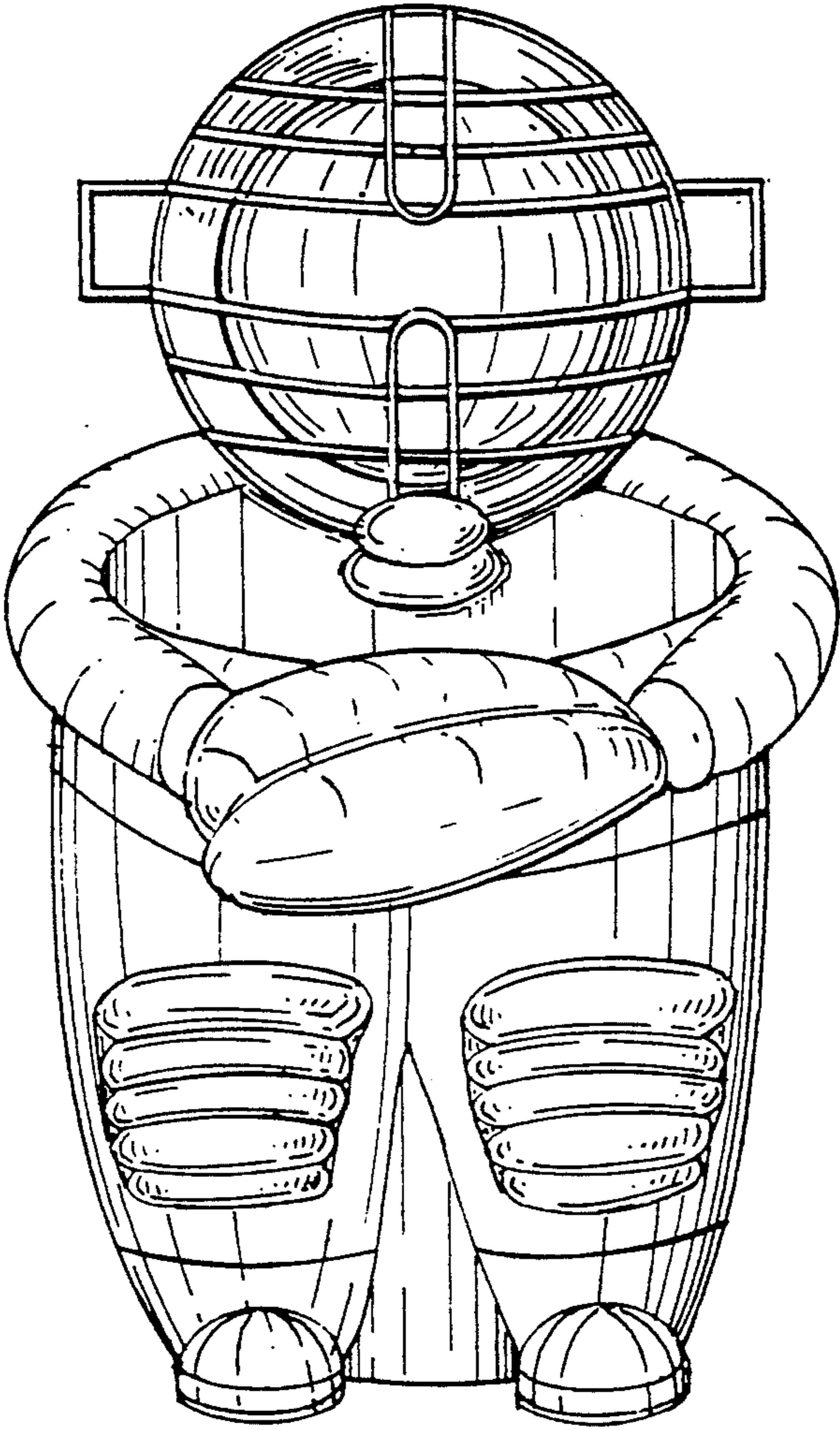


FIG. 7