



US00D346109S

United States Patent [19]

Comaianni

[11] Patent Number: Des. 346,109

[45] Date of Patent: ** Apr. 19, 1994

[54] DOOR SPACER

3,287,050 11/1966 Ferrante D8/402

[76] Inventor: James Comaianni, 5033 Bartlett St.,
San Gabriel, Calif. 91776

Primary Examiner—B. J. Bullock
Attorney, Agent, or Firm—George J. Netter

[**] Term: 14 Years

[57] CLAIM

[21] Appl. No.: 948,929

The ornamental design for a door spacer, as shown and described.

[22] Filed: Sep. 18, 1992

[52] U.S. Cl. D8/402

[58] Field of Search D8/402; 16/82; 292/342,
292/343

DESCRIPTION

FIG. 1 is a perspective view of my design for a door spacer in its operative position, the broken line showing of a portion of a door and frame being for illustrative purposes only;

FIG. 2 is an enlarged perspective view in its inoperative position;

FIG. 3 is a top plan view of FIG. 2;

FIG. 4 is a bottom plan view of FIG. 2;

FIG. 5 is a right side elevational view of FIG. 2;

FIG. 6 is a left side elevational view of FIG. 2;

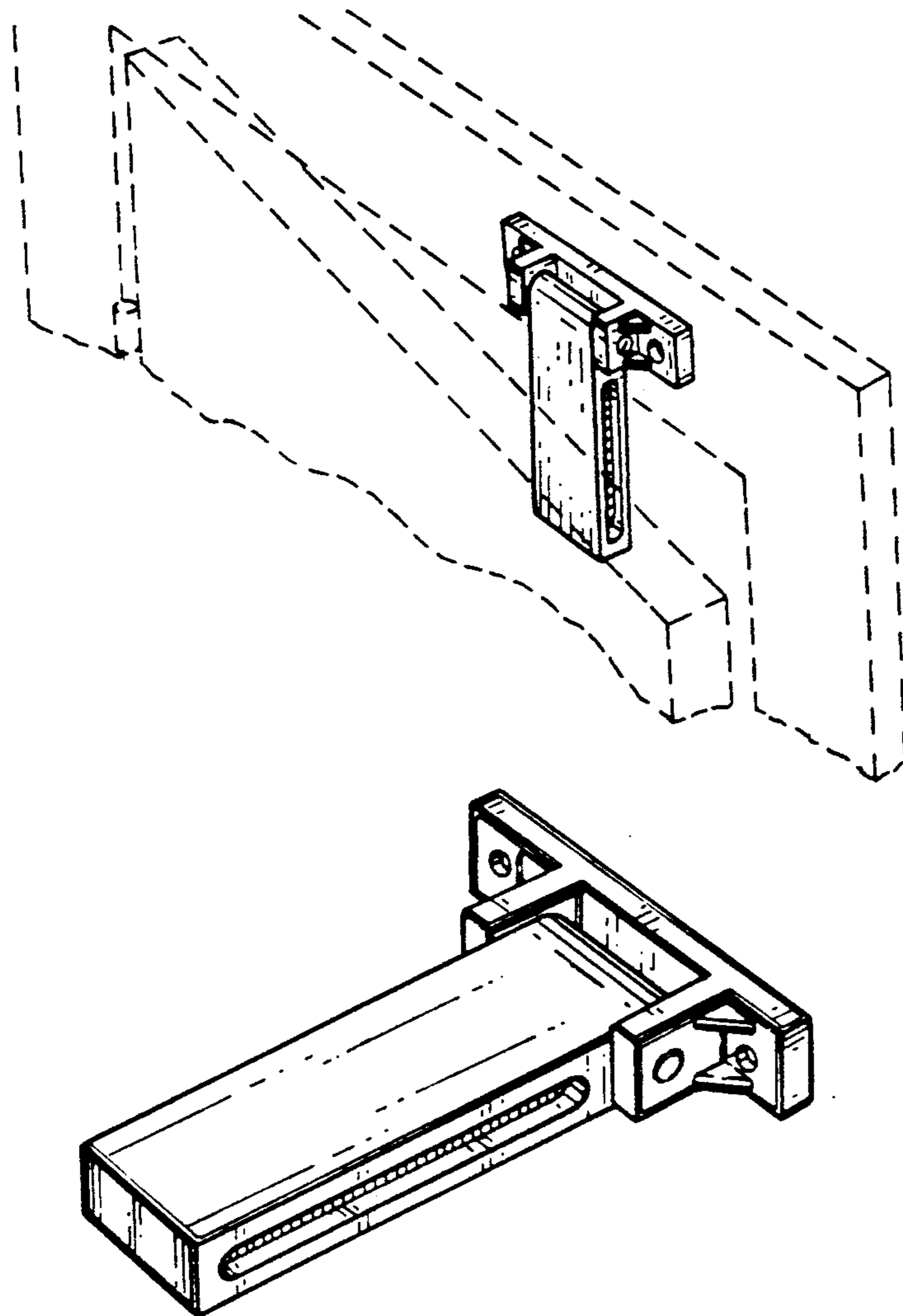
FIG. 7 is a front elevational view of FIG. 2; and,

FIG. 8 is a rear elevational view of FIG. 2.

[56] References Cited

U.S. PATENT DOCUMENTS

1,160,477	11/1915	West	292/343
1,921,568	8/1933	Hasselberger	16/82
2,493,292	1/1950	Jenkins	16/82
2,682,683	7/1954	La Padula	D8/402
2,798,755	7/1957	Zapotocny	292/342
2,964,780	12/1960	Blankenship	16/82



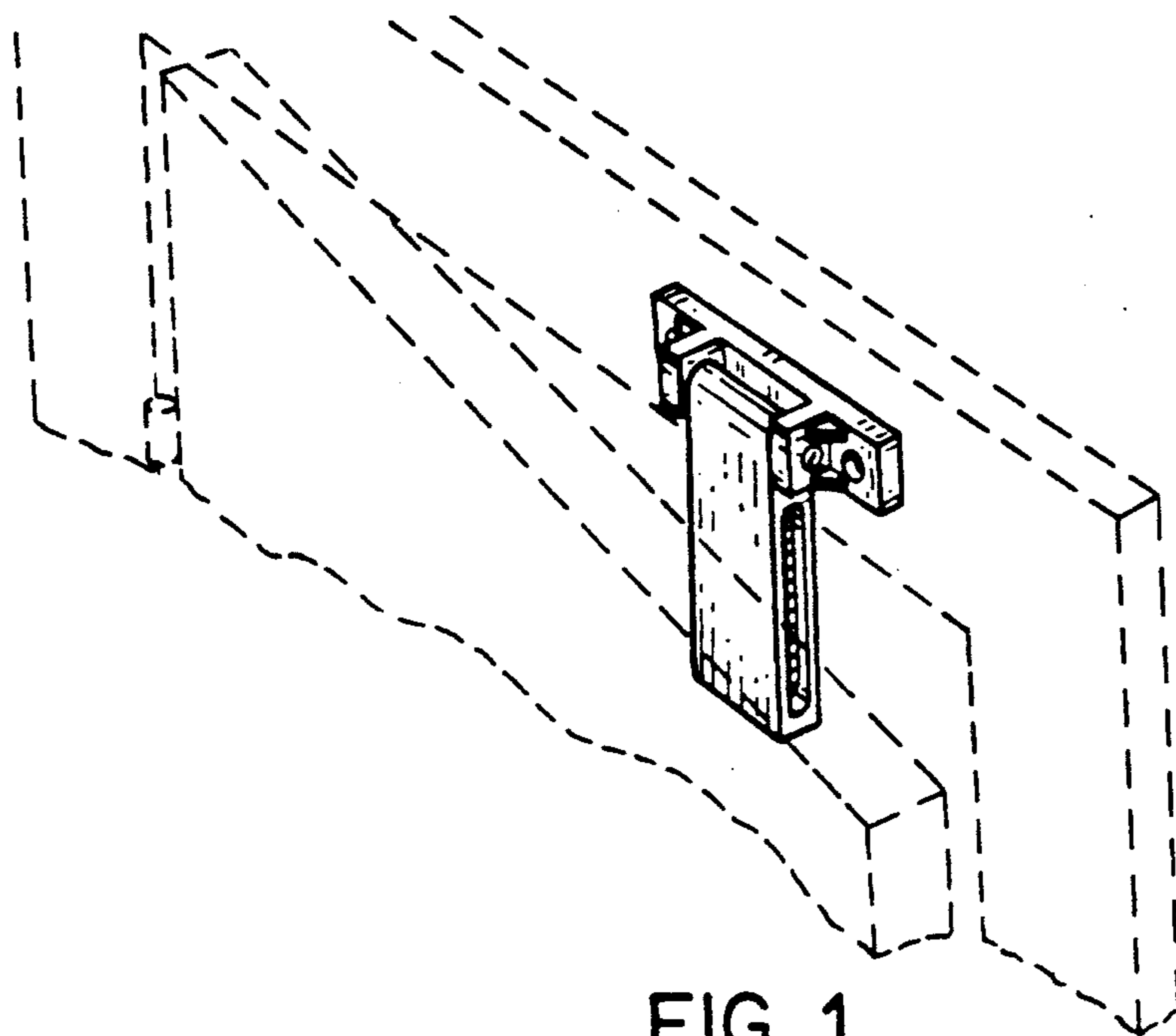


FIG. 1

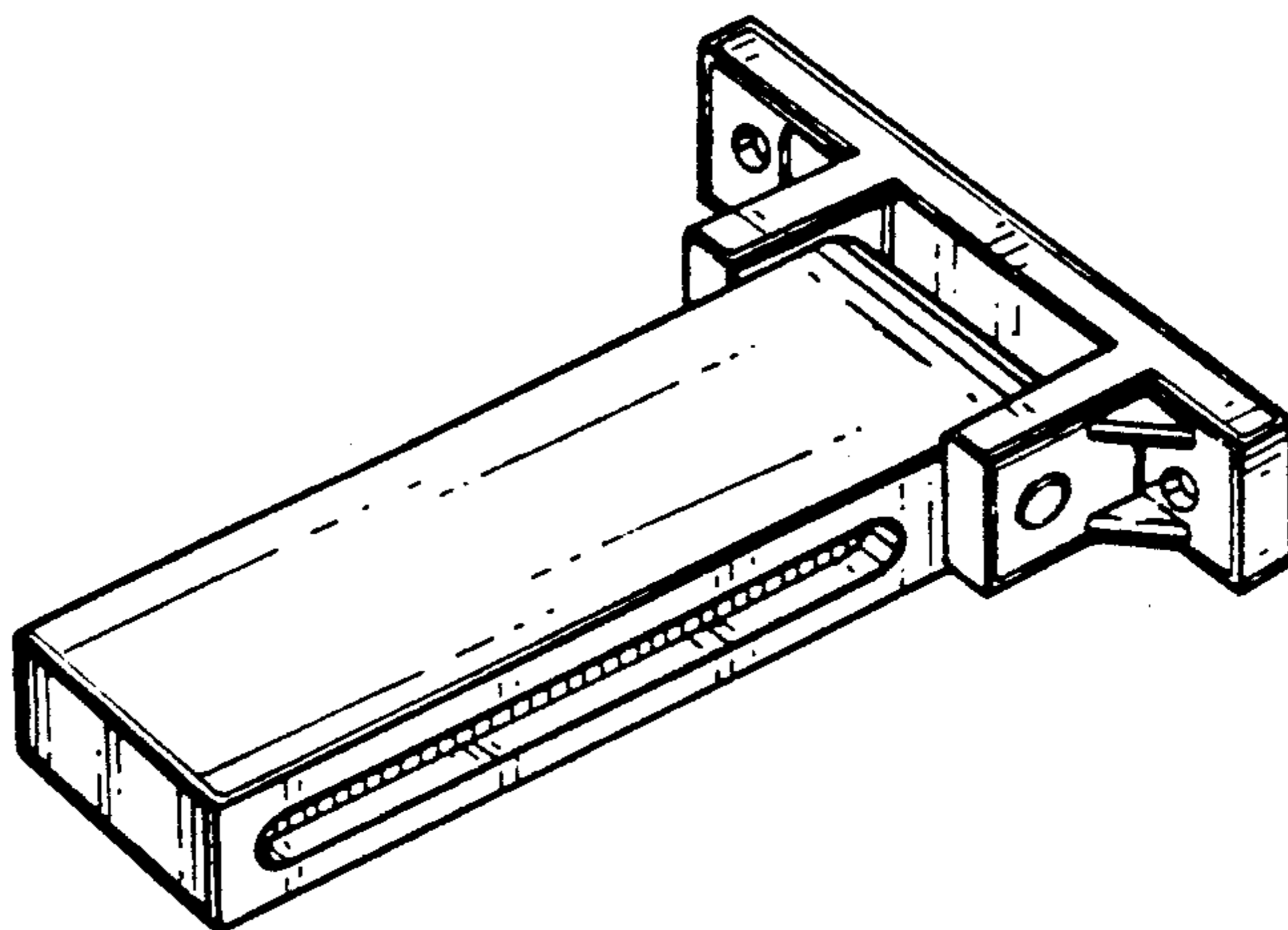


FIG. 2

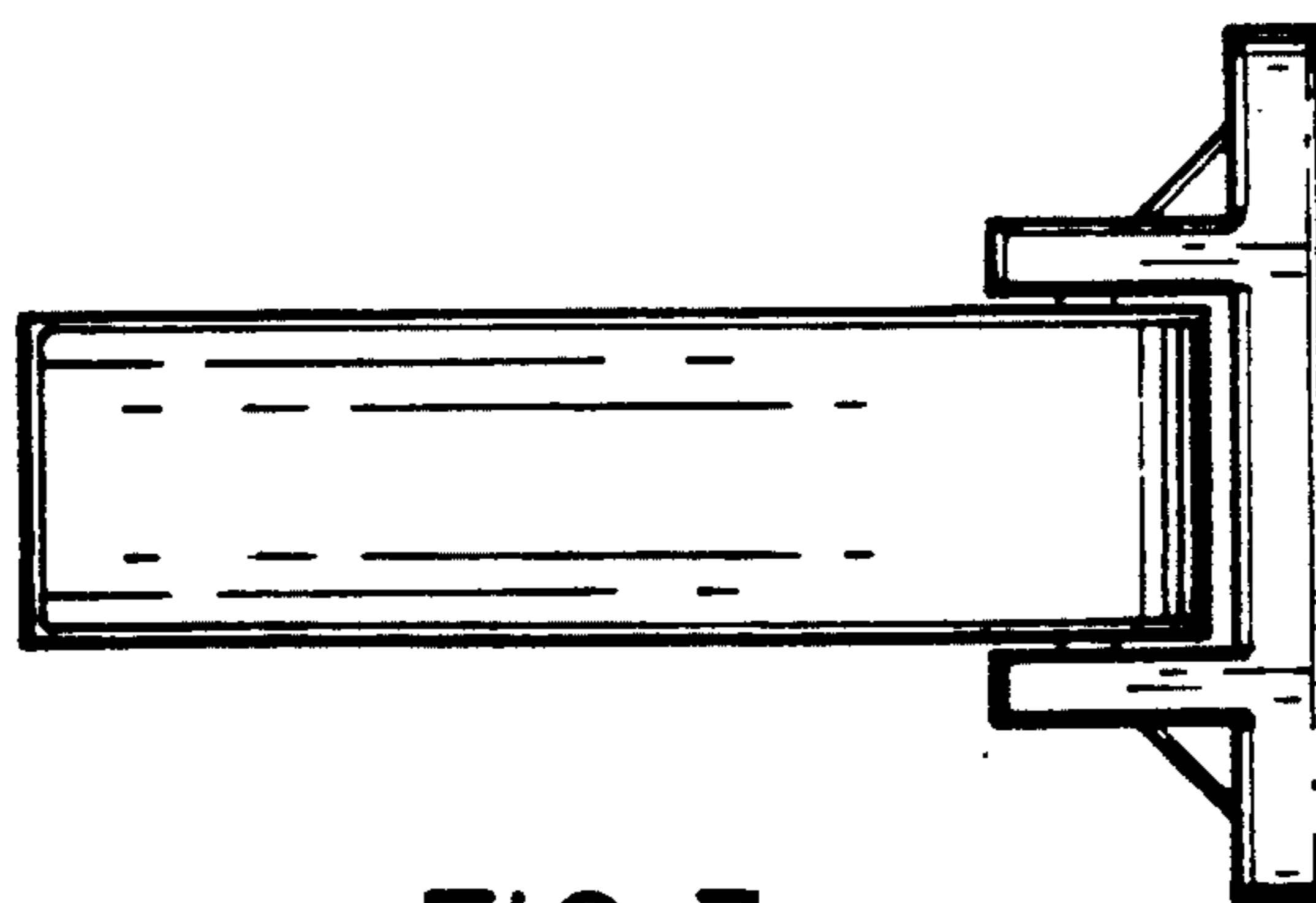


FIG. 3

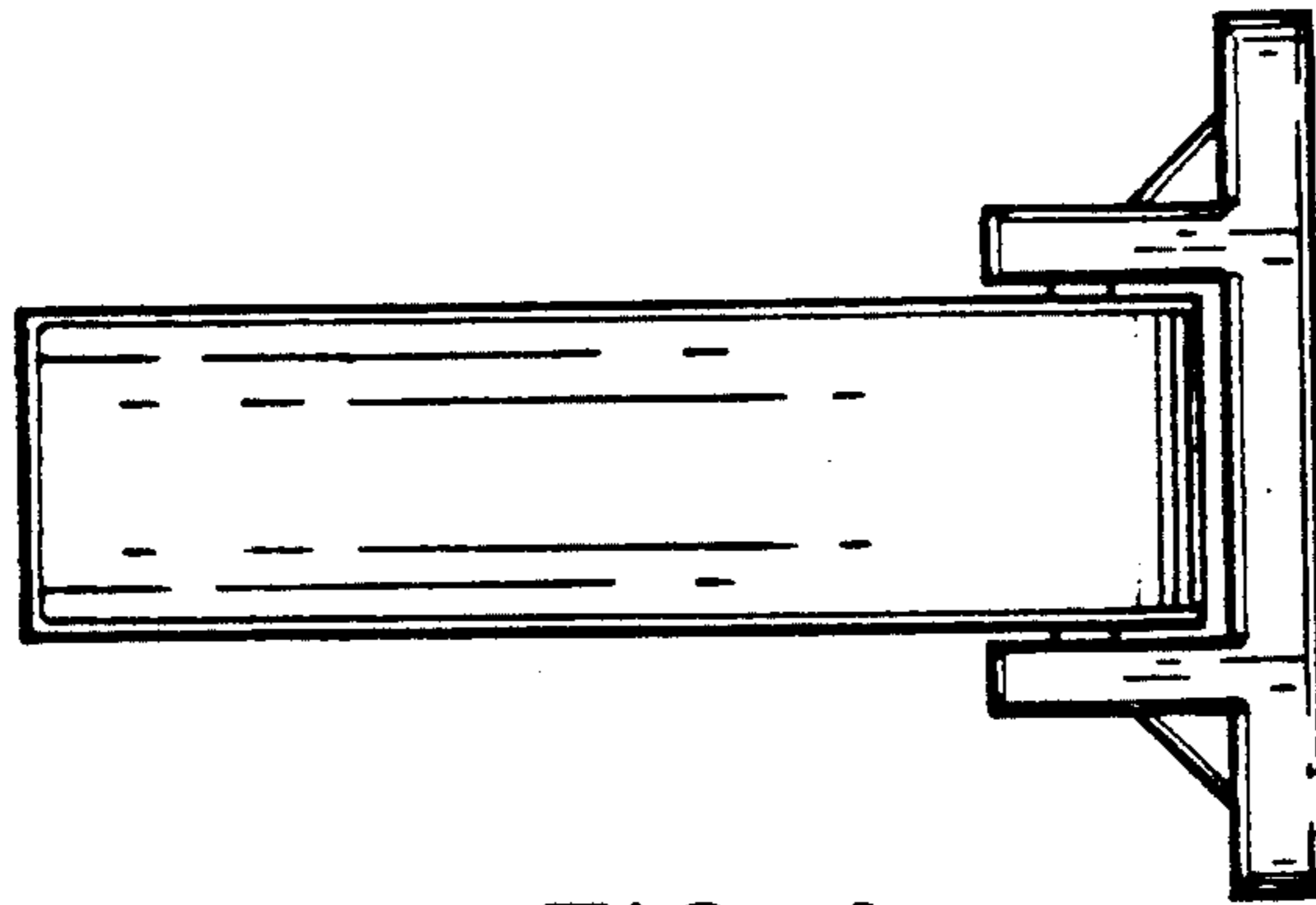


FIG. 4

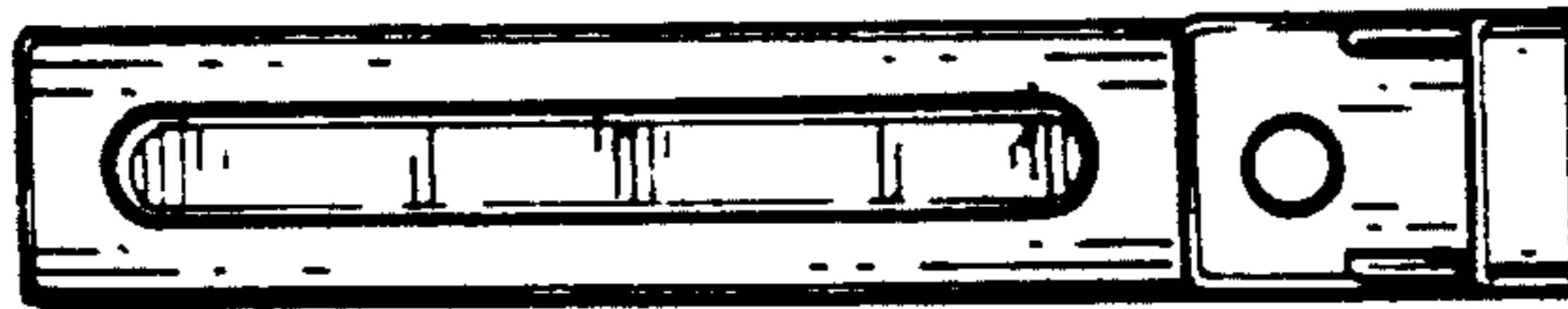


FIG. 5

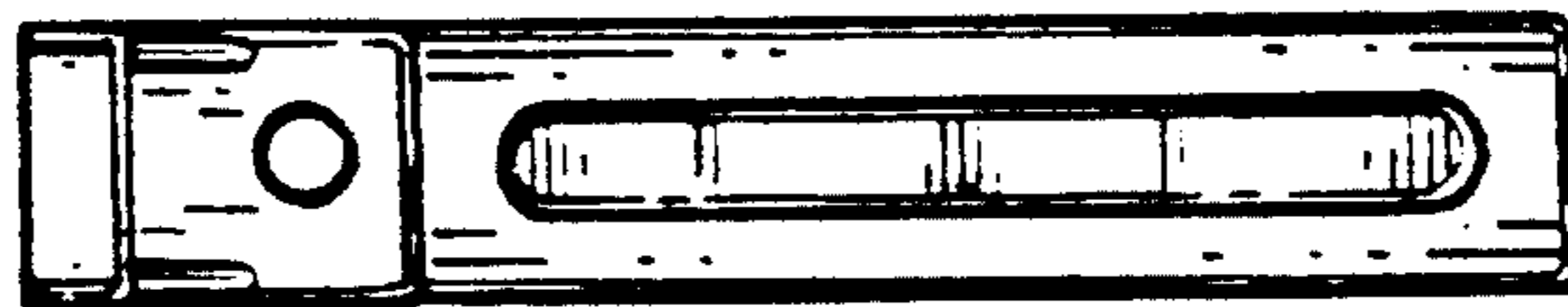


FIG. 6

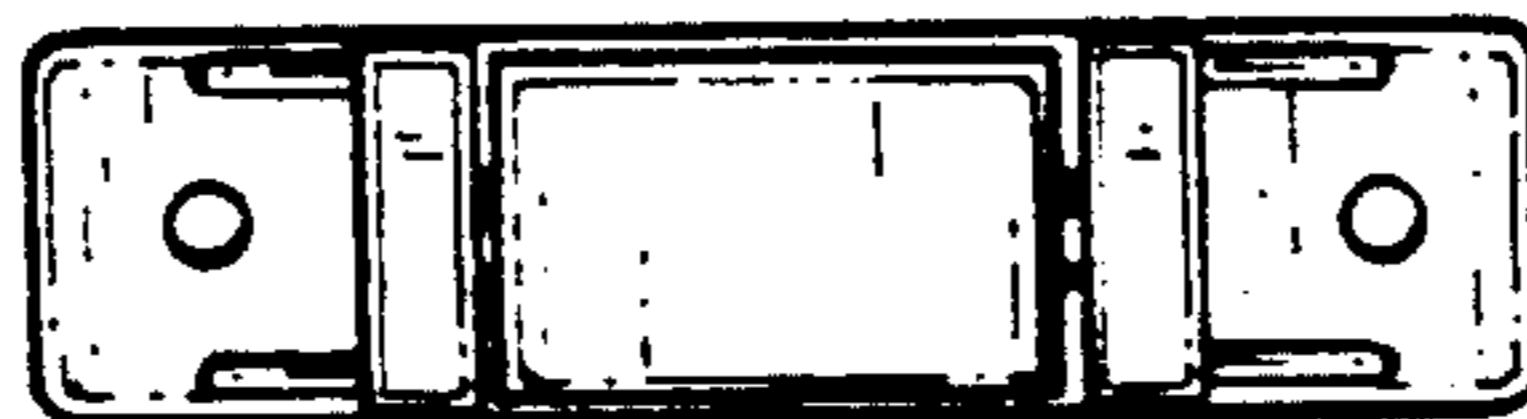


FIG. 7



FIG. 8