



US00D346107S

# United States Patent [19]

[11] Patent Number: **Des. 346,107**

Appelbaum

[45] Date of Patent: **\*\* Apr. 19, 1994**

[54] STAPLE PLATE FOR A HASP

[76] Inventor: **Paul Appelbaum**, 219 Broadway, Ste. 510, Laguna Beach, Calif. 92651

[\*\*] Term: **14 Years**

[21] Appl. No.: **218**

[22] Filed: **Oct. 8, 1992**

[52] U.S. Cl. .... **D8/345**

[58] Field of Search ..... **D8/330-331, D8/343-345; 292/281-287**

[56] **References Cited**

**U.S. PATENT DOCUMENTS**

1,898,391	2/1933	Pressentin .....	292/285
4,852,920	8/1989	DeForrest, Sr. ....	292/281 X
5,121,951	6/1992	Harbom et al. ....	292/DIG. 38 X

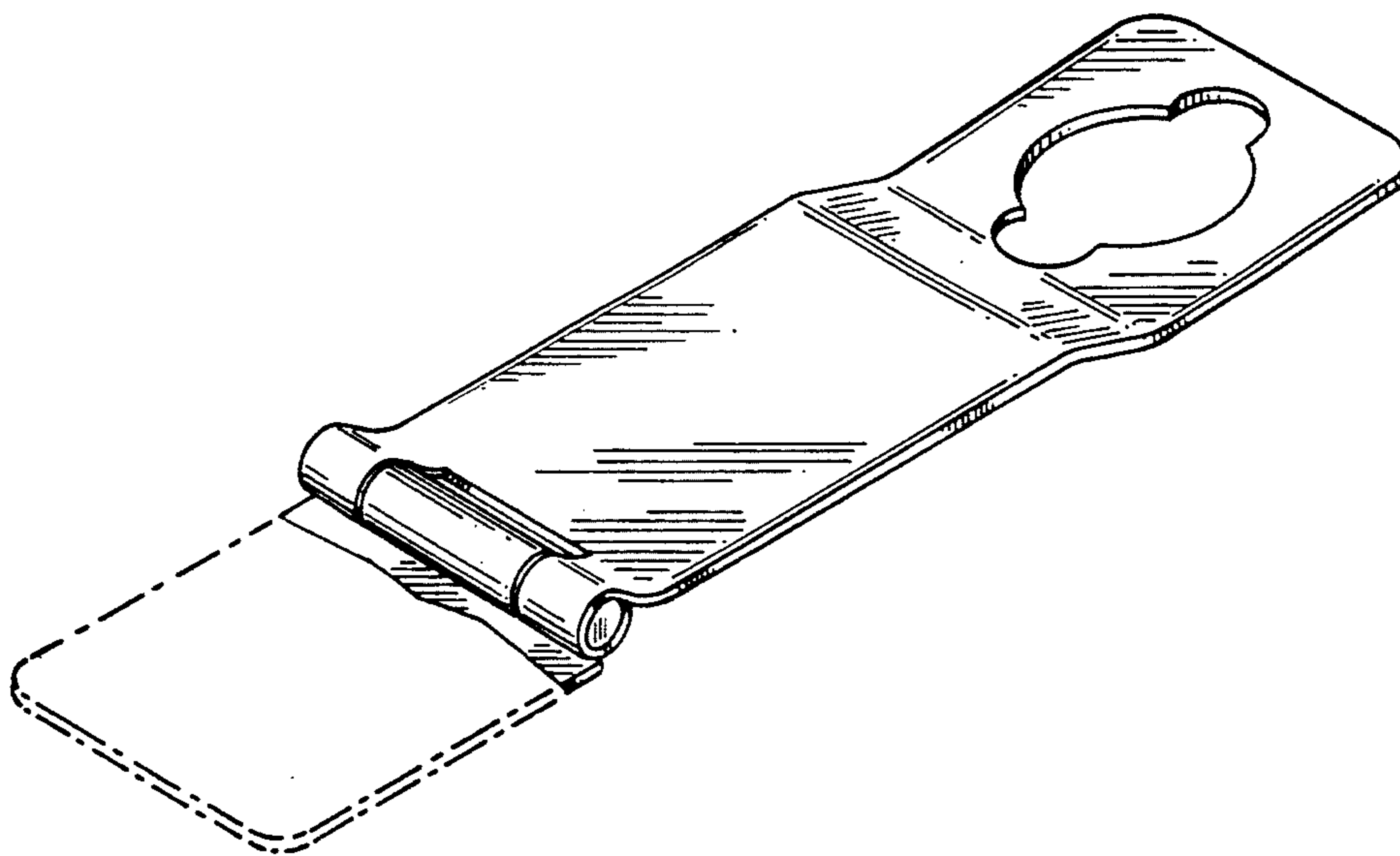
*Primary Examiner*—Brian N. Vinson  
*Attorney, Agent, or Firm*—Charles C. Corbin

[57] **CLAIM**

The ornamental design for a staple plate for a hasp, as shown and described.

**DESCRIPTION**

FIG. 1 is a top, front, right side perspective view of a staple plate for a hasp, showing my new design; FIG. 2 is a top plan view thereof; FIG. 3 is a right side elevational view thereof; FIG. 4 is a bottom plan view thereof; FIG. 5 is a left side elevational view thereof; FIG. 6 is a rear elevational view thereof; and FIG. 7 is a front elevational view thereof. The broken-line disclosure is for illustrative purposes only and forms no part of the claimed design.



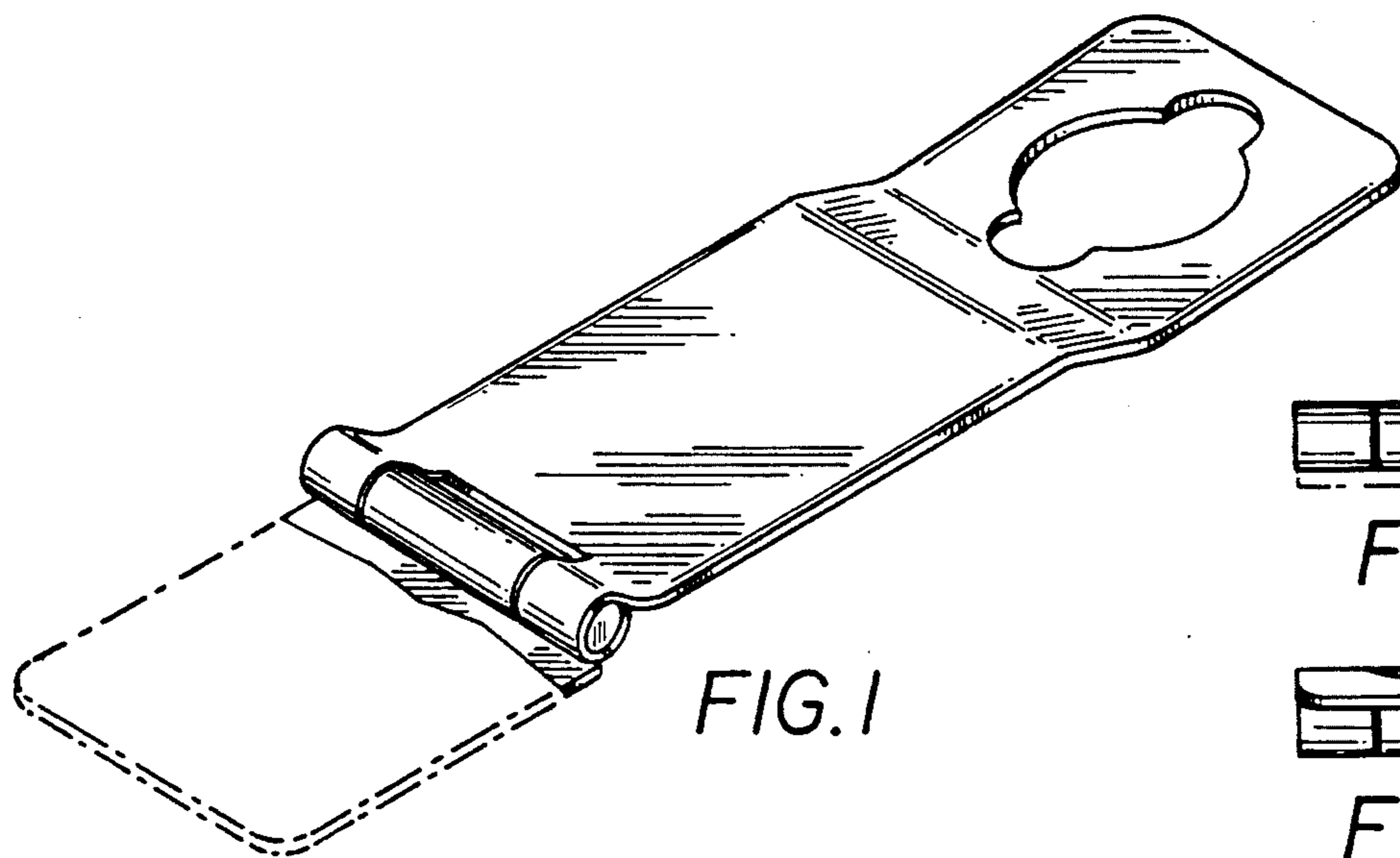


FIG. 1



FIG. 7

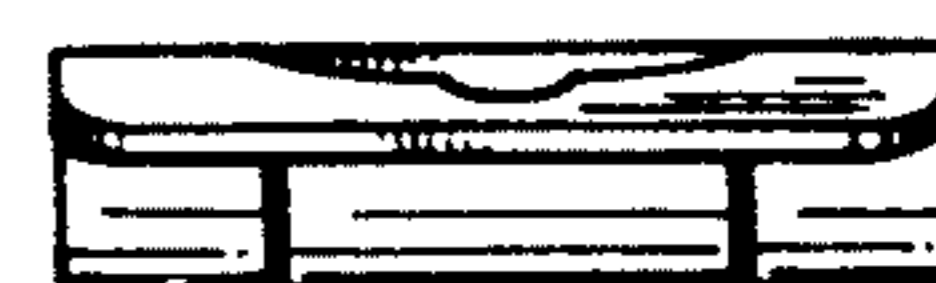


FIG. 6

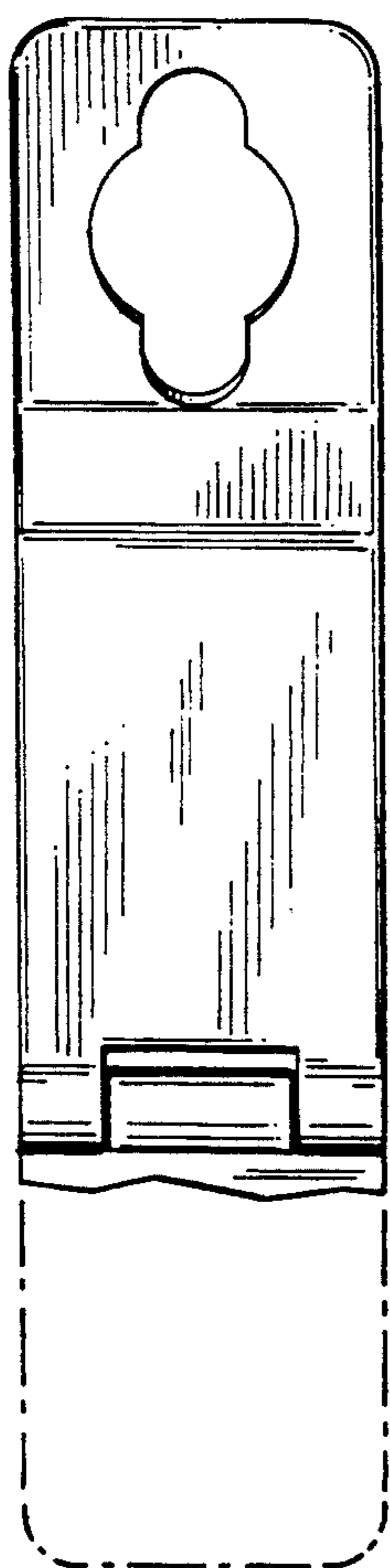


FIG. 2

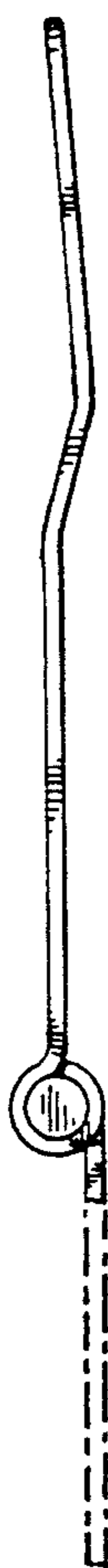


FIG. 3

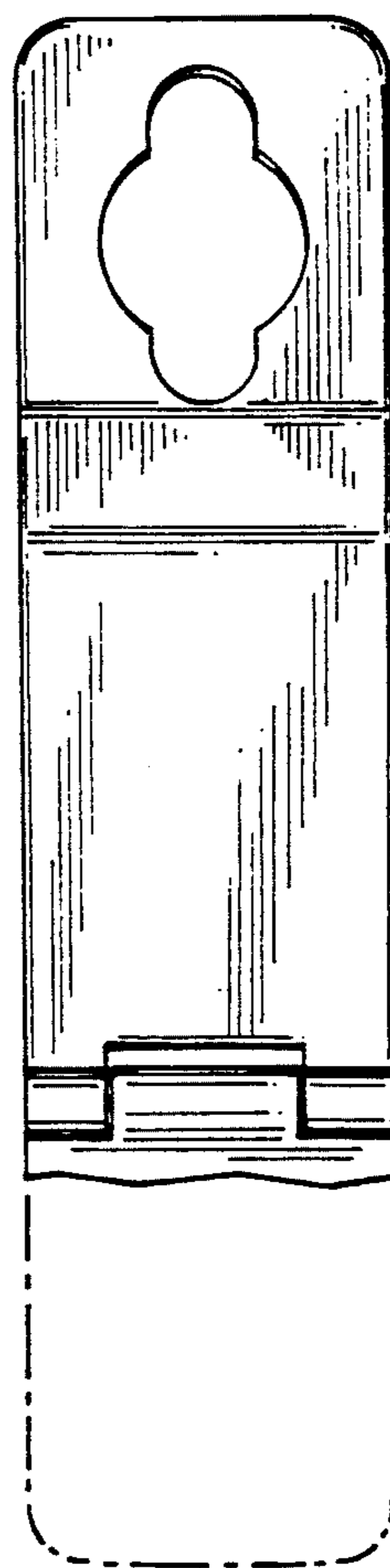


FIG. 4

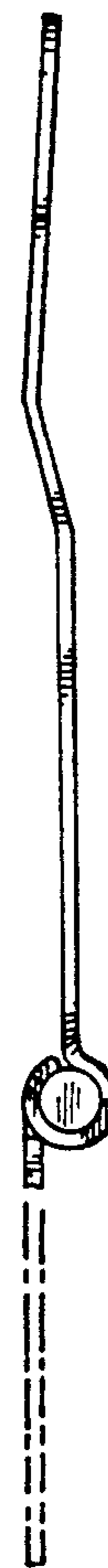


FIG. 5