



US00D346105S

United States Patent [19]

[11] Patent Number: **Des. 346,105**

Shaanan

[45] Date of Patent: **** Apr. 19, 1994**

[54] HANDLE

D. 189,962 3/1961 Maffei D8/308
D. 295,947 5/1988 Valli D8/308

[75] Inventor: **Gad Shaanan, Montreal, Canada**

[73] Assignee: **La Compagnie Ideal Security Inc.,
Quebec, Canada**

[**] Term: **14 Years**

[21] Appl. No.: **5,259**

[22] Filed: **Mar. 1, 1993**

[30] Foreign Application Priority Data

Dec. 30, 1992 [CA] Canada 3012927

[52] U.S. Cl. **D8/301; D8/308;**
D8/350

[58] Field of Search D8/308, 350, 353, 301;
16/110 R; 220/336.3, 347; D23/250, 254

[56] References Cited

U.S. PATENT DOCUMENTS

D. 162,678 3/1951 Muller-Munk D23/254

OTHER PUBLICATIONS

Abitare 267; Sep. 1988; p. 282; Manhattan lever.

Primary Examiner—B. J. Bullock

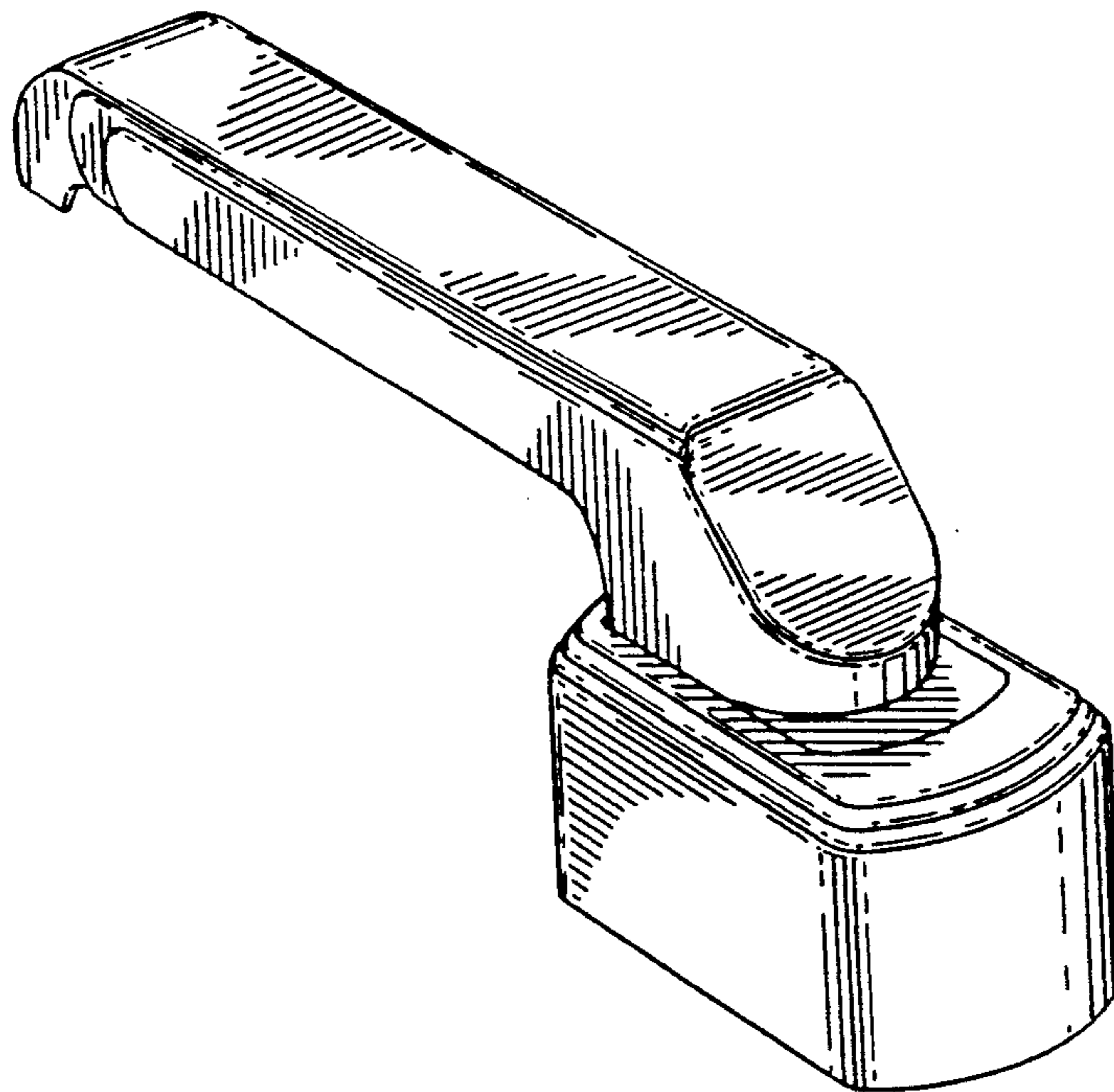
Attorney, Agent, or Firm—Sterne, Kessler, Goldstein &
Fox

[57] CLAIM

The ornamental design for a handle, as shown and de-
scribed.

DESCRIPTION

FIG. 1 is a perspective view of my design;
FIG. 2 is a bottom plan view thereof, the top being a
mirror image;
FIG. 3 is a front elevation thereof;
FIG. 4 is a rear elevation thereof;
FIG. 5 is a left end elevation thereof; and,
FIG. 6 is a right end elevation thereof.



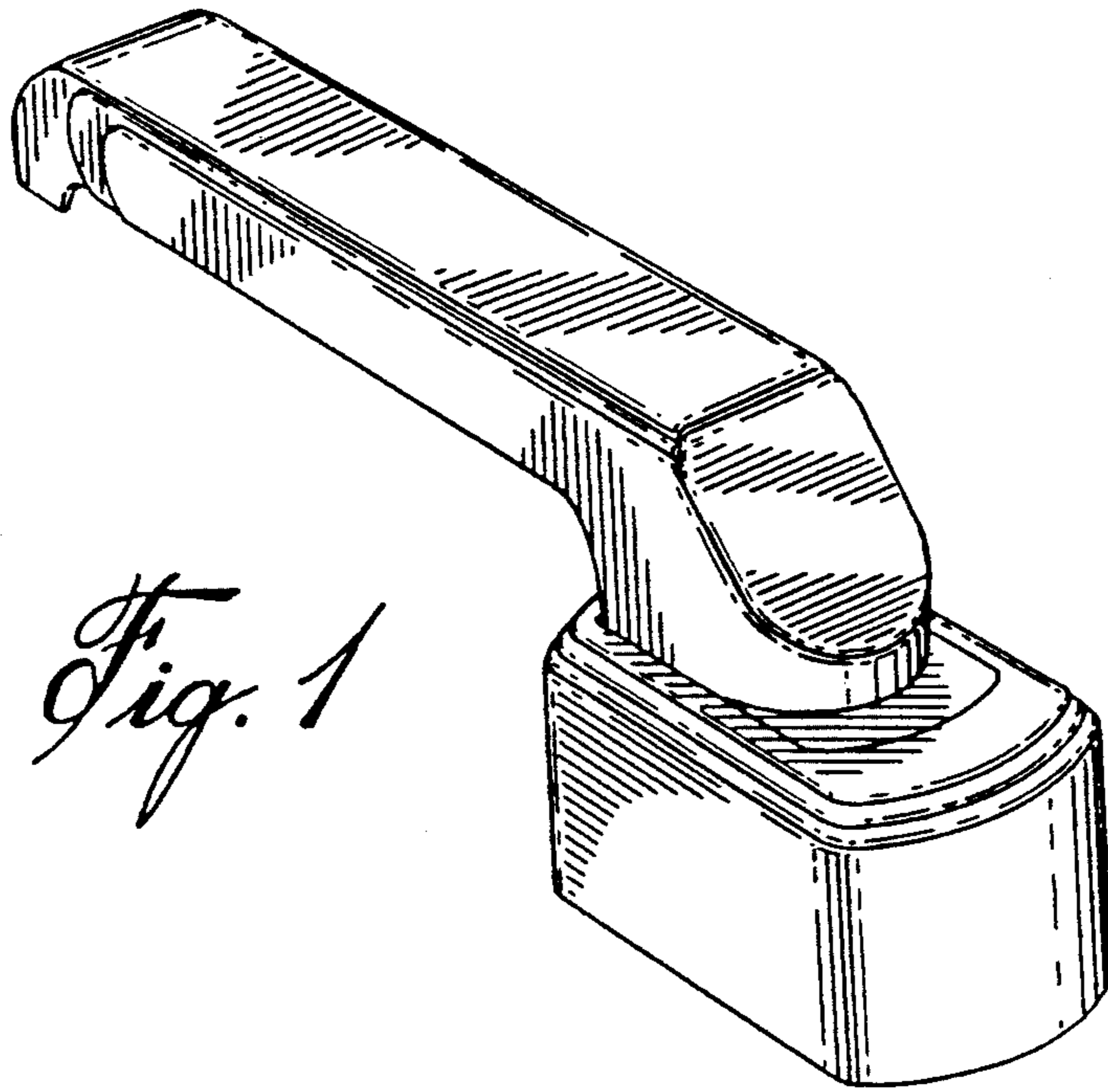


Fig. 1

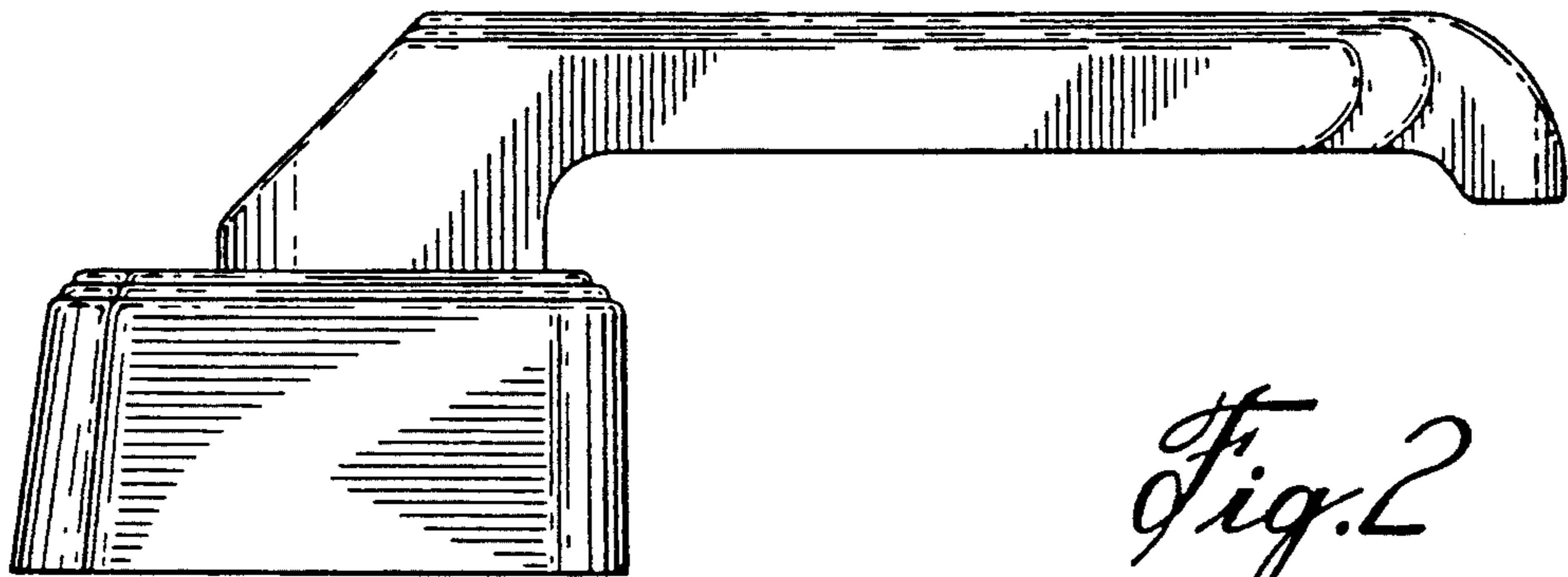


Fig. 2

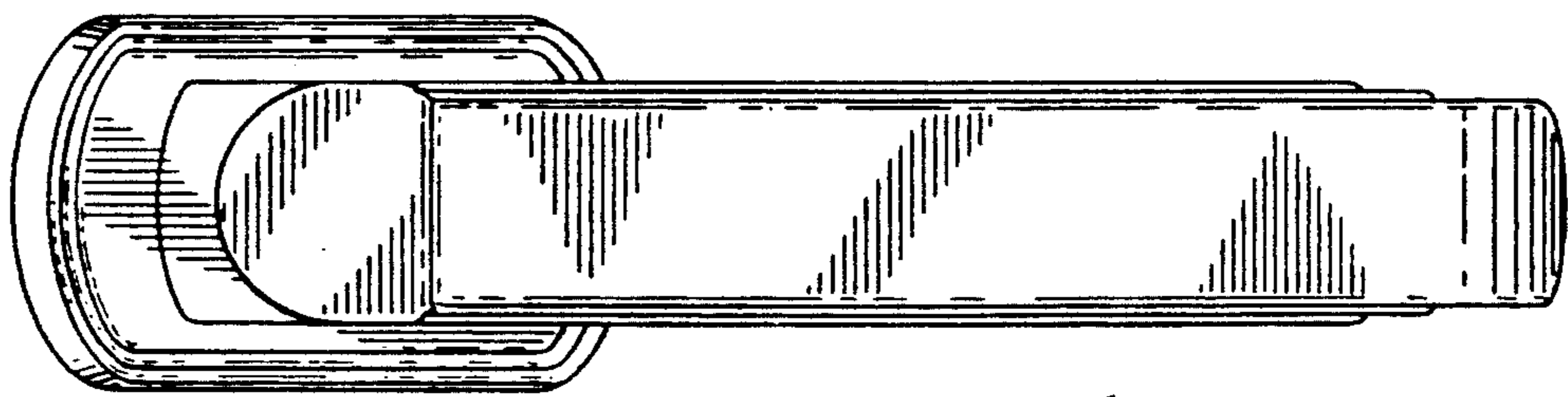


Fig. 3

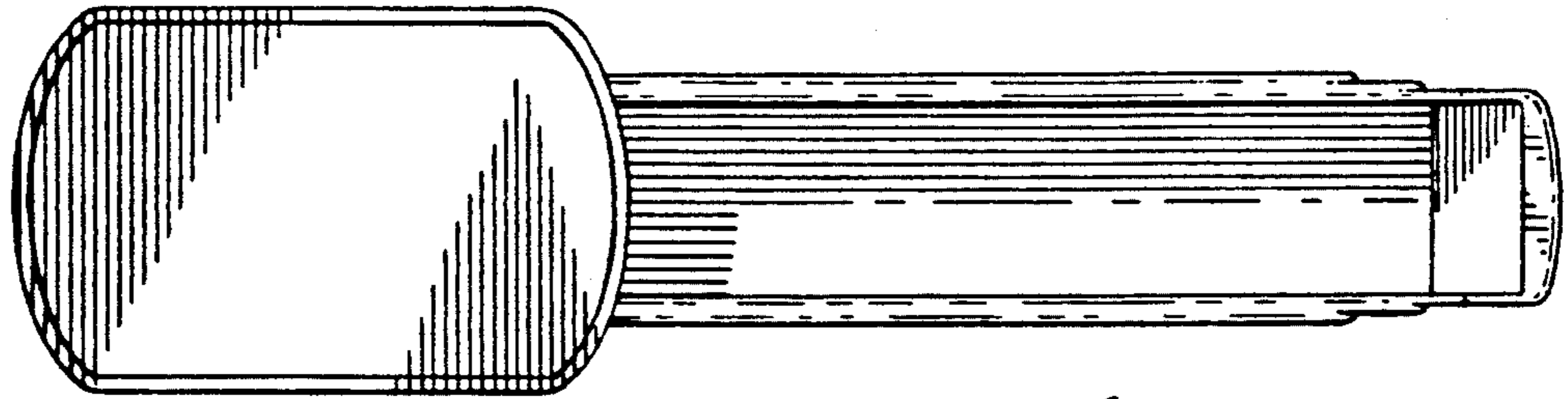


Fig. 4

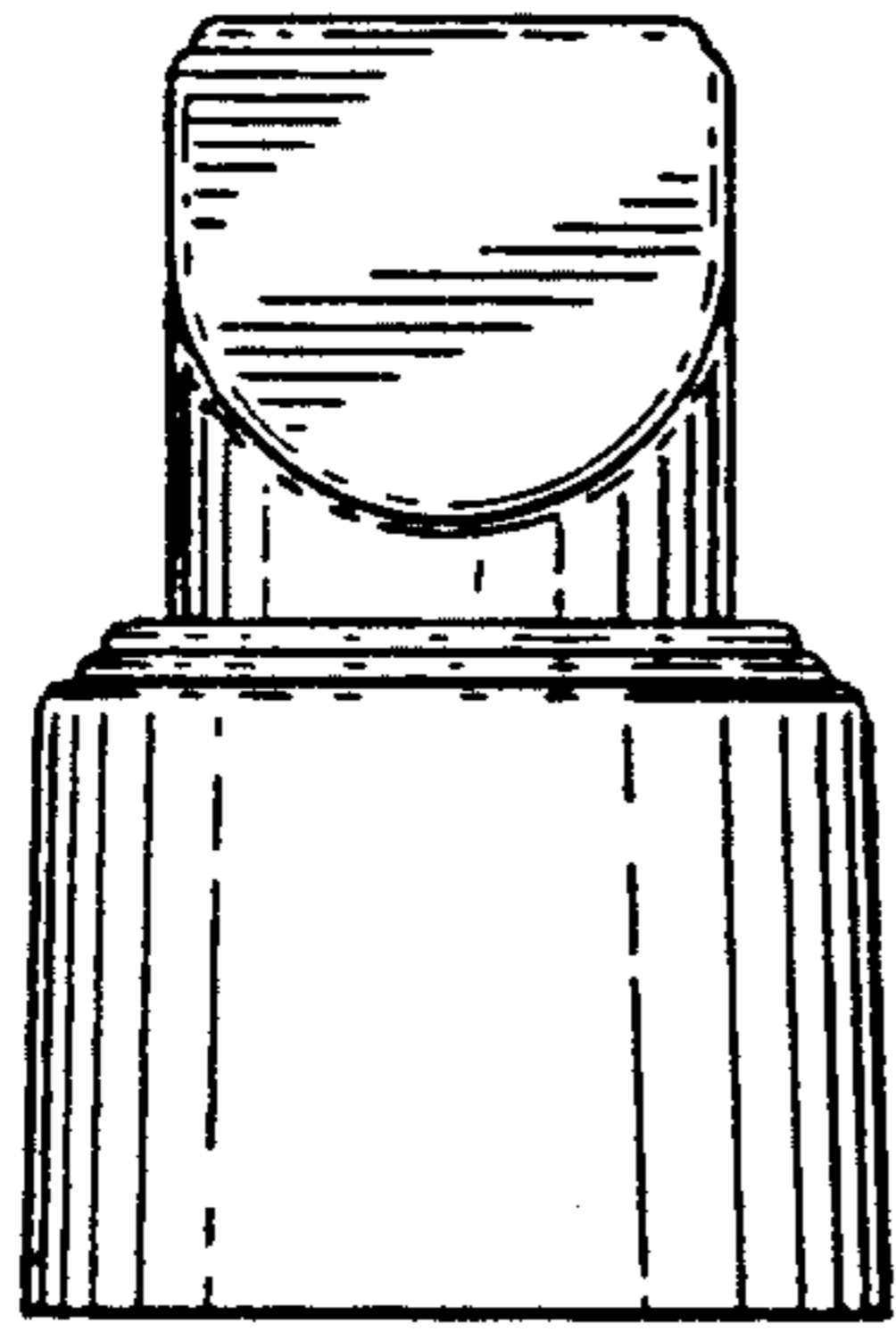


Fig. 5

Fig. 6

