



US00D346104S

# United States Patent [19]

[11] Patent Number: **Des. 346,104**

Yelton

[45] Date of Patent: **\*\* Apr. 19, 1994**

[54] **PORTABLE CONCRETE SAW**

[75] Inventor: **Darrell A. Yelton, Lee's Summit, Mo.**

[73] Assignee: **Target Products, Inc., Kansas City, Mo.**

[\*\*] Term: **14 Years**

[21] Appl. No.: **926,546**

[22] Filed: **Aug. 7, 1992**

[52] U.S. Cl. .... **D8/64**

[58] Field of Search ..... **D8/64; 125/4, 5, 6, 125/12, 13.01, 13.02, 13.03, 14, 15; D15/133**

[56] **References Cited**

**U.S. PATENT DOCUMENTS**

D. 337,037	7/1993	Yelton	D8/64
995,971	6/1911	Keyes	
1,356,339	10/1920	Clarke	
1,404,342	1/1922	Clarke	
1,731,872	10/1929	Schons	
1,736,538	11/1929	Kurtz	
1,740,074	12/1929	Crowe	
1,916,887	7/1933	McClain	
2,217,923	10/1940	Silverman	
2,344,262	3/1944	Odierna et al.	
2,487,277	11/1949	Siftar	
2,688,347	9/1954	Schmidt	
2,700,256	1/1955	Lewis	
2,701,134	2/1955	Klicpera	
2,722,244	11/1955	Schultz	
2,949,068	8/1960	Gresham	
2,996,089	8/1961	McCarty	
3,353,266	11/1967	Goolsby	
3,496,972	2/1970	Rees	
3,585,980	6/1971	Mellor	
3,775,529	11/1973	Stenson et al.	
3,910,711	10/1975	Moorhead	
3,973,324	8/1976	Persson	

4,022,182	5/1977	Lenkevich	
4,054,179	10/1977	Destree	83/471.2 X
4,055,160	10/1977	Wilson	
4,062,110	12/1977	Alvarez	
4,188,934	2/1980	Reinhardt et al.	
4,236,356	12/1980	Ward	
4,334,356	6/1982	Krosunger	
4,397,089	8/1993	Pease	
4,406,274	9/1983	Ogyu	
4,416,842	11/1983	Nash et al.	
4,454,901	6/1984	Thorsness	
4,456,303	6/1984	Due	
4,483,071	11/1984	te Kolst'e	
4,769,201	9/1988	Chiuminatta et al.	
4,848,845	7/1989	Kennedy	125/14
4,889,675	12/1989	Chiuminatta et al.	
4,903,680	2/1990	Chiumnatta et al.	
4,928,662	5/1990	Chiumnatta et al.	
4,938,201	7/1990	Chiumnatta et al.	
5,056,499	10/1991	Chiumnatta et al.	
5,086,750	2/1992	Chiumnatta et al.	
5,167,215	12/1992	Harding, Jr.	125/13.01
5,193,518	3/1993	Moller et al.	125/14 X

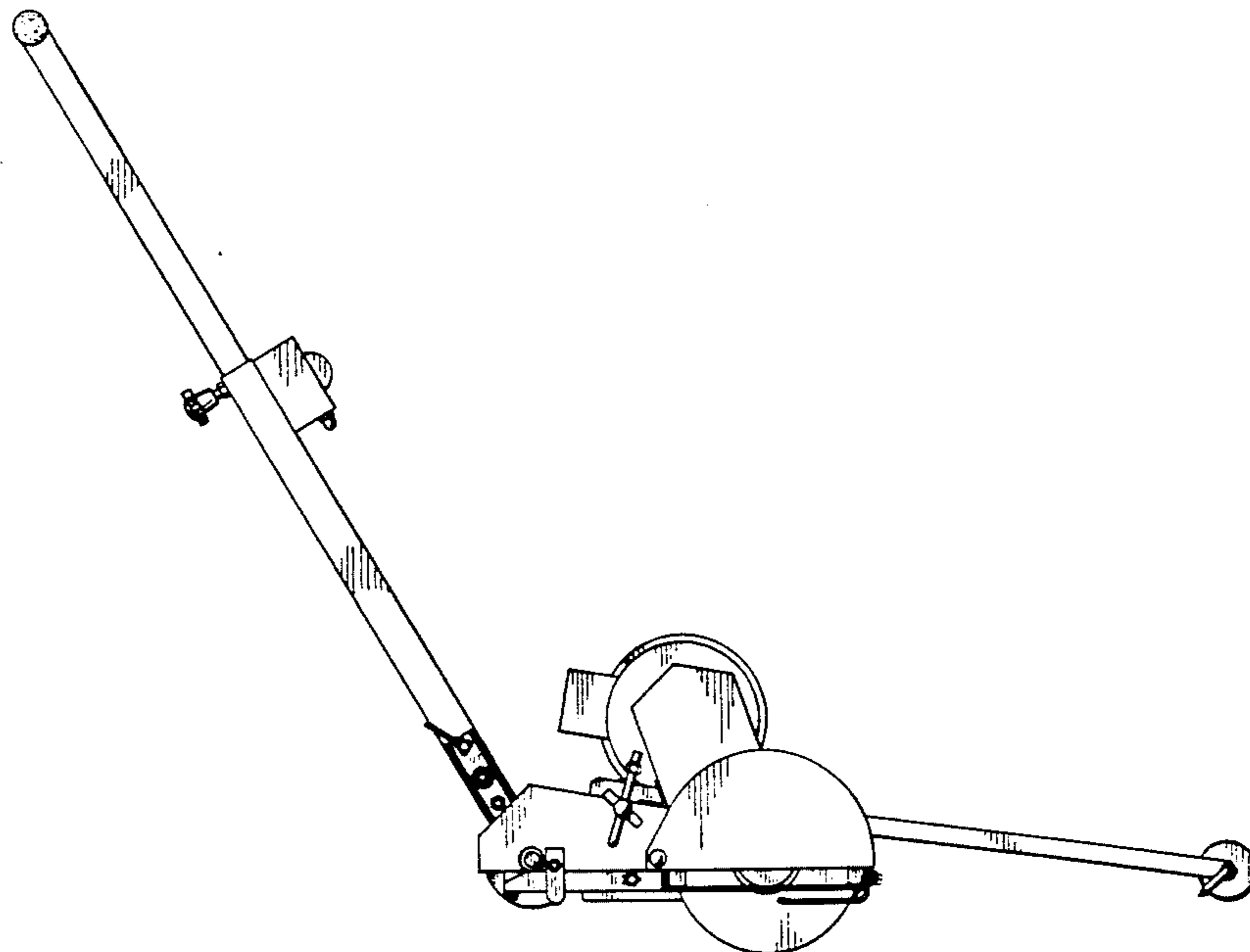
*Primary Examiner*—Alan P. Douglas  
*Assistant Examiner*—Antoine D. Davis  
*Attorney, Agent, or Firm*—Kokjer, Kircher, Bowman & Johnson

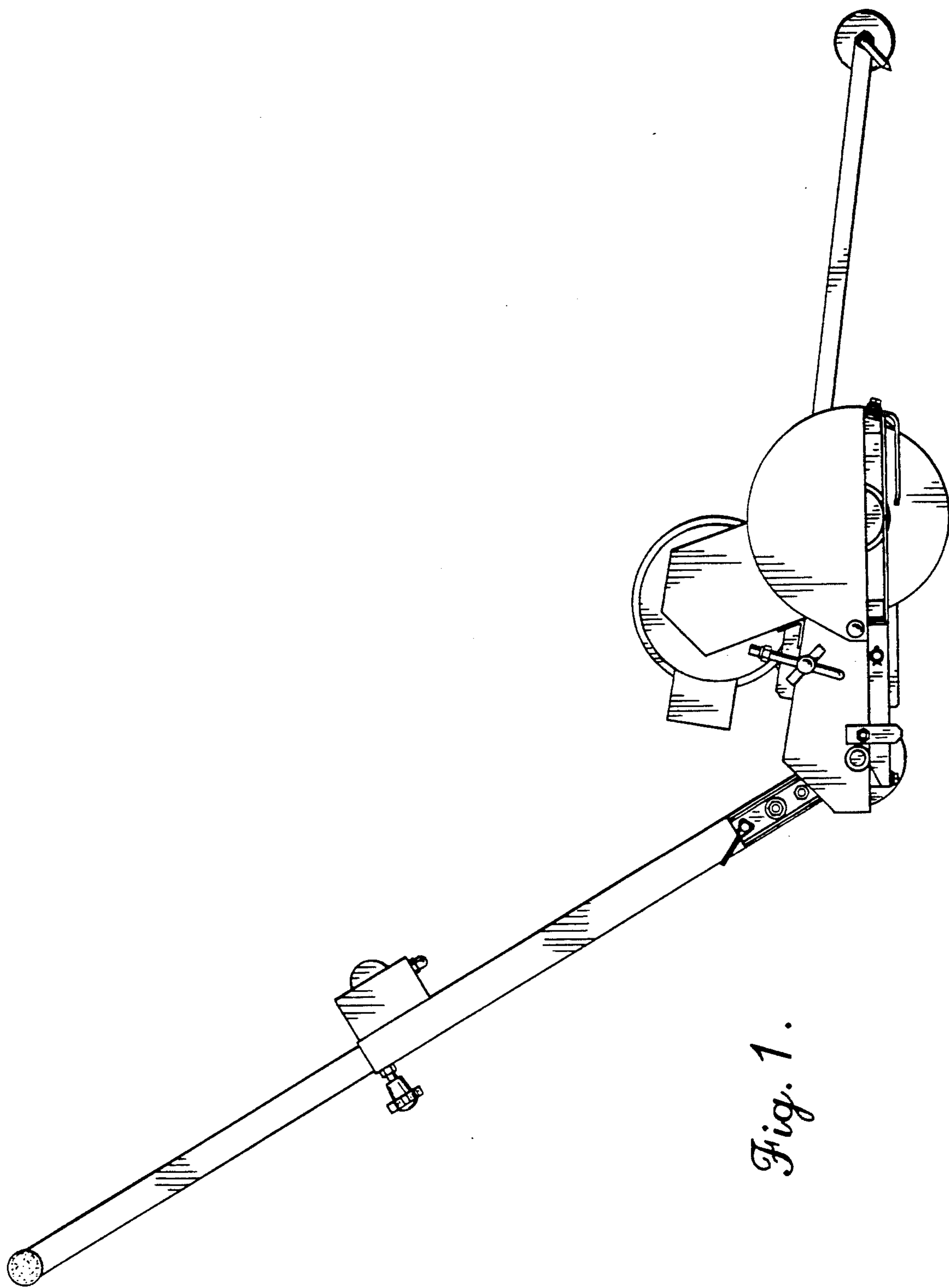
[57] **CLAIM**

The ornamental design for a portable concrete saw, as shown and described.

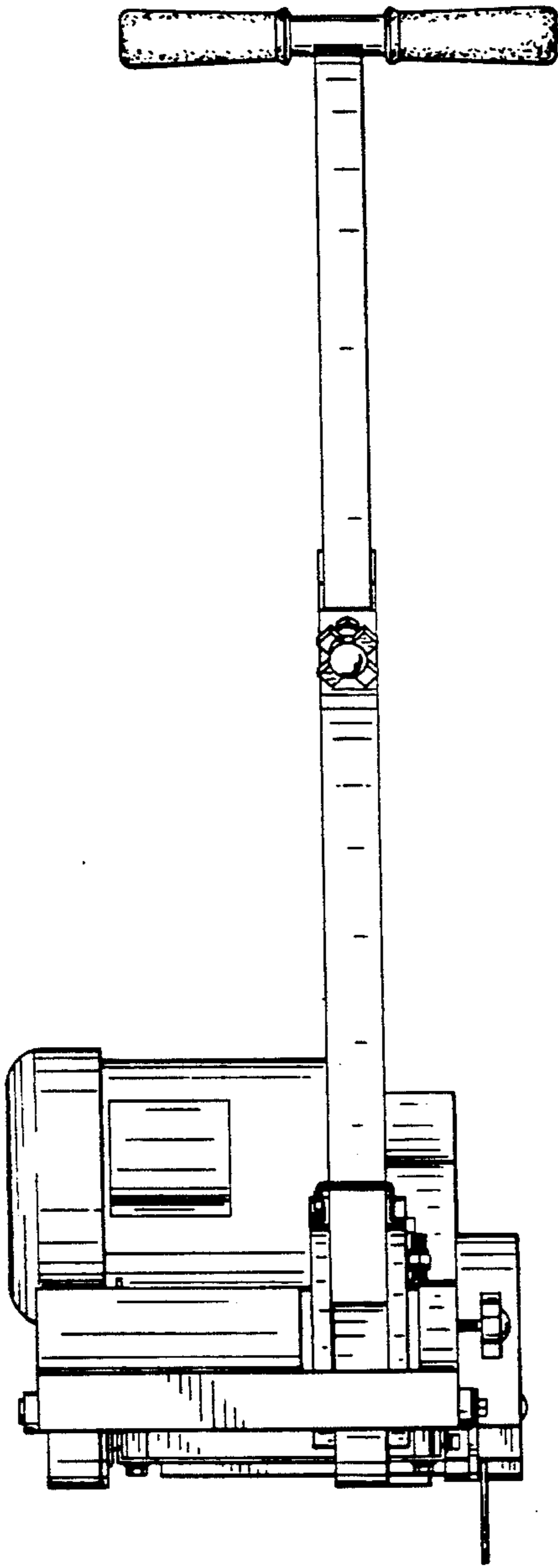
**DESCRIPTION**

FIG. 1 is a right side view of a portable concrete saw according to the present invention; FIG. 2 is a rear view thereof; FIG. 3 is a front view thereof; FIG. 4 is a left side view thereof; FIG. 5 is a top view thereof; and, FIG. 6 is a bottom view thereof.

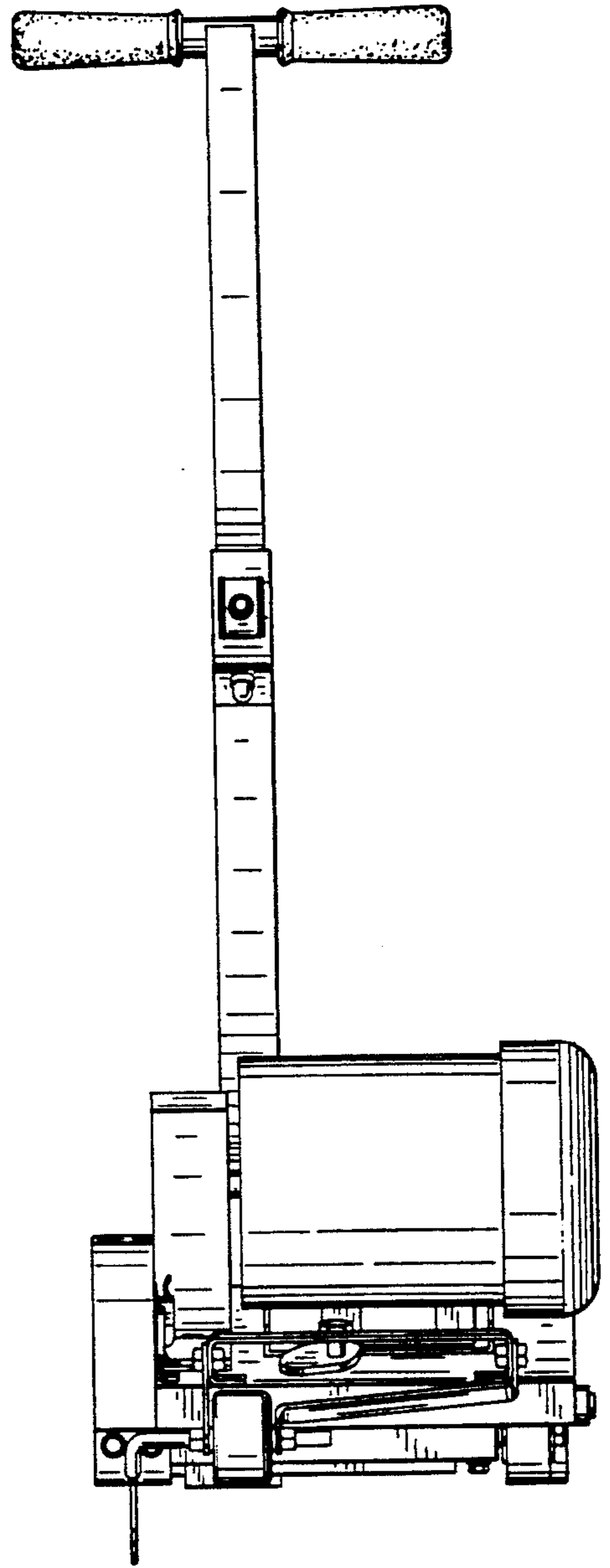




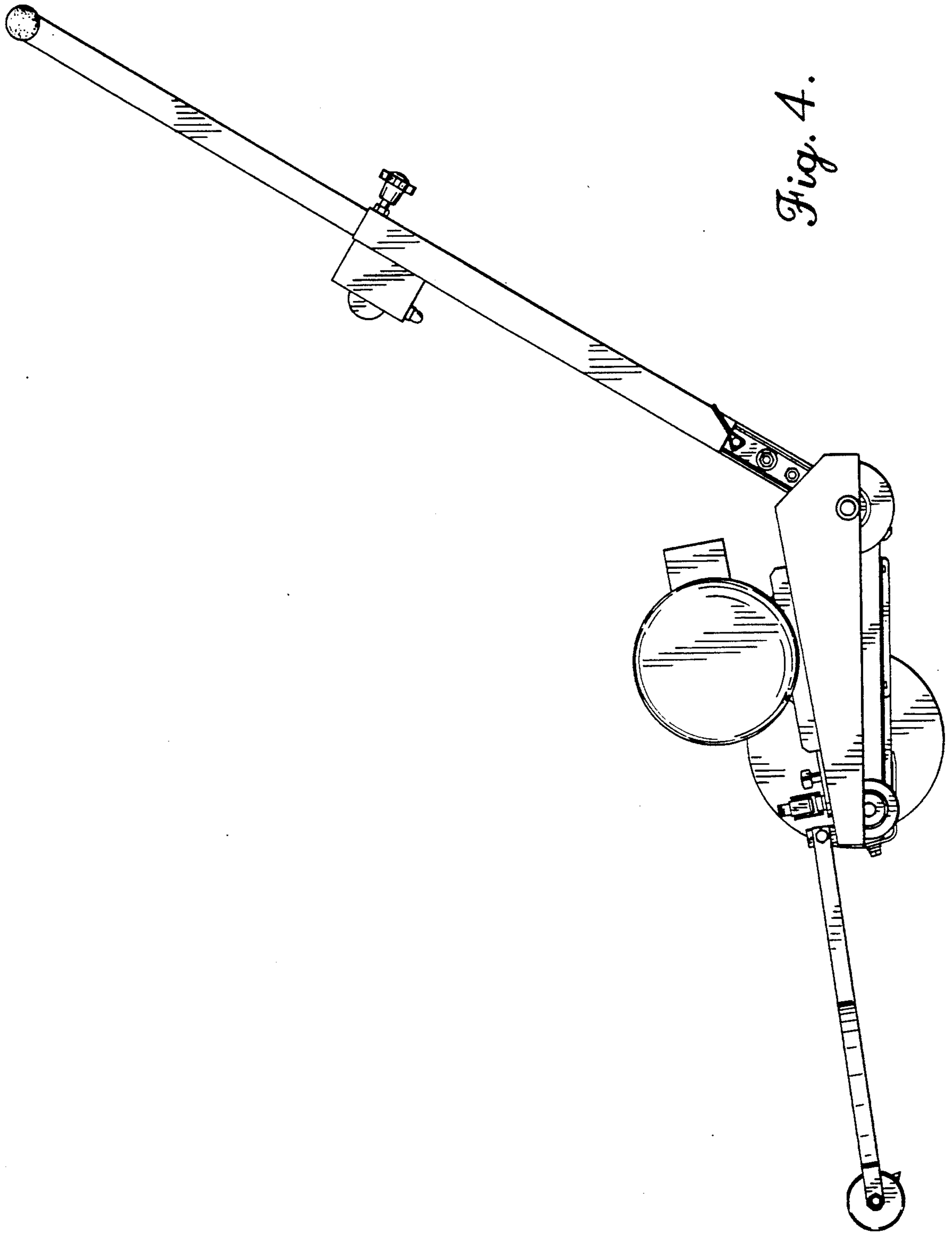
*Fig. 1.*



*Fig. 2.*



*Fig. 3.*



*Fig. 4.*

