



US00D346100S

# United States Patent [19]

[11] Patent Number: **Des. 346,100**

**Behrenfeld**

[45] Date of Patent: **\*\* Apr. 19, 1994**

[54] **DRUM TUNING KEY**

4,208,942 6/1980 Henrit ..... 81/121.1

[76] Inventor: **Eric J. Behrenfeld**, 2450 North Francisco, Chicago, Ill. 60647

*Primary Examiner*—Bernard Ansher  
*Assistant Examiner*—Philip Hyder  
*Attorney, Agent, or Firm*—Speckman, Pauley & Fejer

[\*\*] Term: **14 Years**

[57] **CLAIM**

[21] Appl. No.: **891,812**

The ornamental design for a drum tuning key, as shown.

[22] Filed: **Jun. 1, 1992**

**DESCRIPTION**

[52] U.S. Cl. .... **D8/21; D17/22**

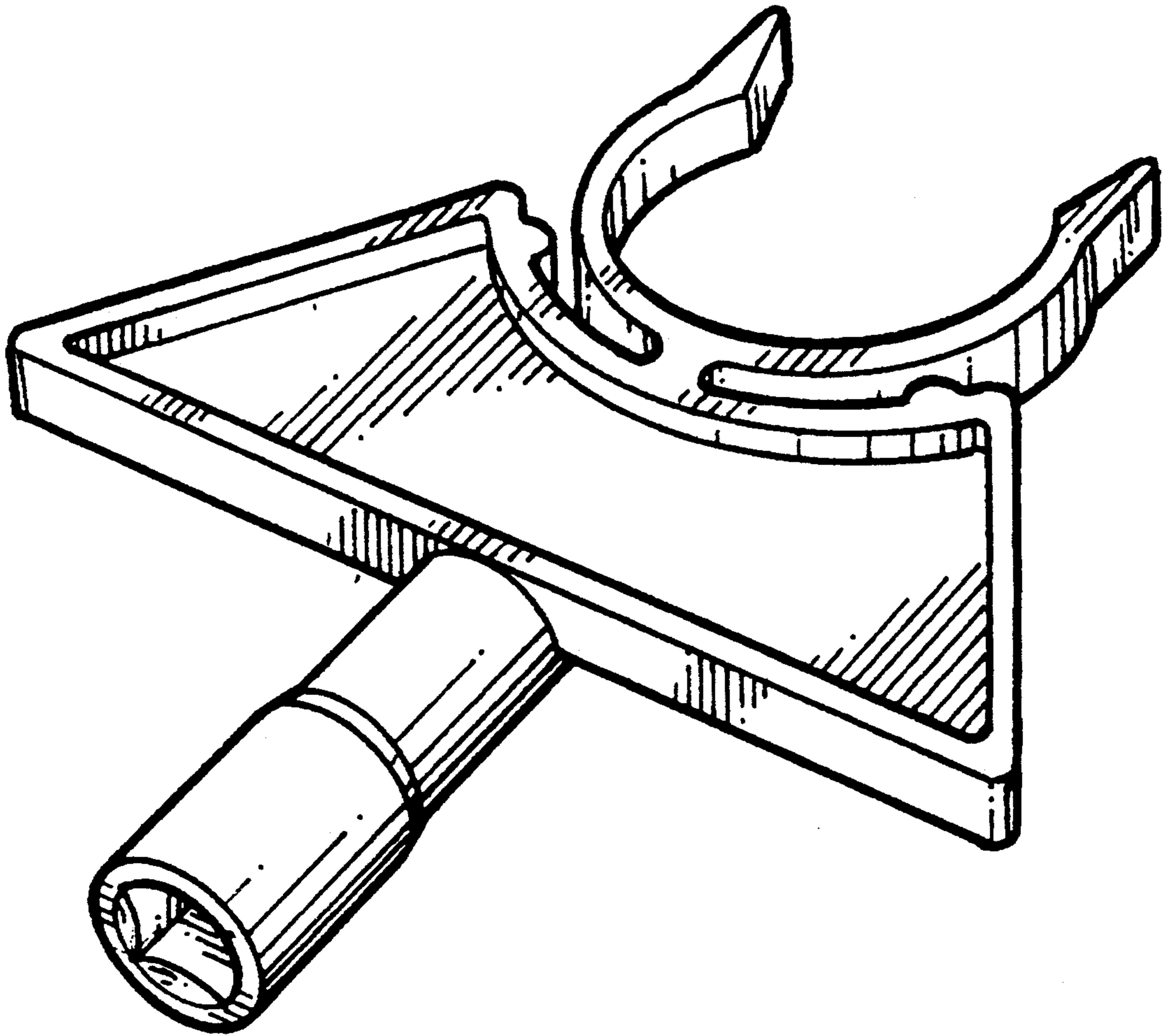
[58] Field of Search ..... **D8/21, 26; 81/121.1, 81/57.4, 3.5, 177.1, 180.1, 462, 487; 411/402; D17/22, 99**

FIG. 1 is a top, front perspective view of a drum tuning key showing my new design;  
FIG. 2 is a bottom view of the drum tuning key, as shown in FIG. 1;  
FIG. 3 is a side view of the drum tuning key, as shown in FIG. 2, wherein both sides of the key wrench are symmetrical;  
FIG. 4 is a rear view of the drum tuning key, as shown in FIG. 2; and,  
FIG. 5 is a front view of the drum tuning key, as shown in FIG. 2.

[56] **References Cited**

**U.S. PATENT DOCUMENTS**

154,738	9/1874	Williams et al. ....	81/123
D. 245,063	7/1977	Grame .....	D8/107
D. 269,622	7/1983	Hardy .....	D17/22
2,329,061	9/1943	Kopczynski .....	D8/21
2,735,321	2/1956	Browne et al. ....	81/121.1



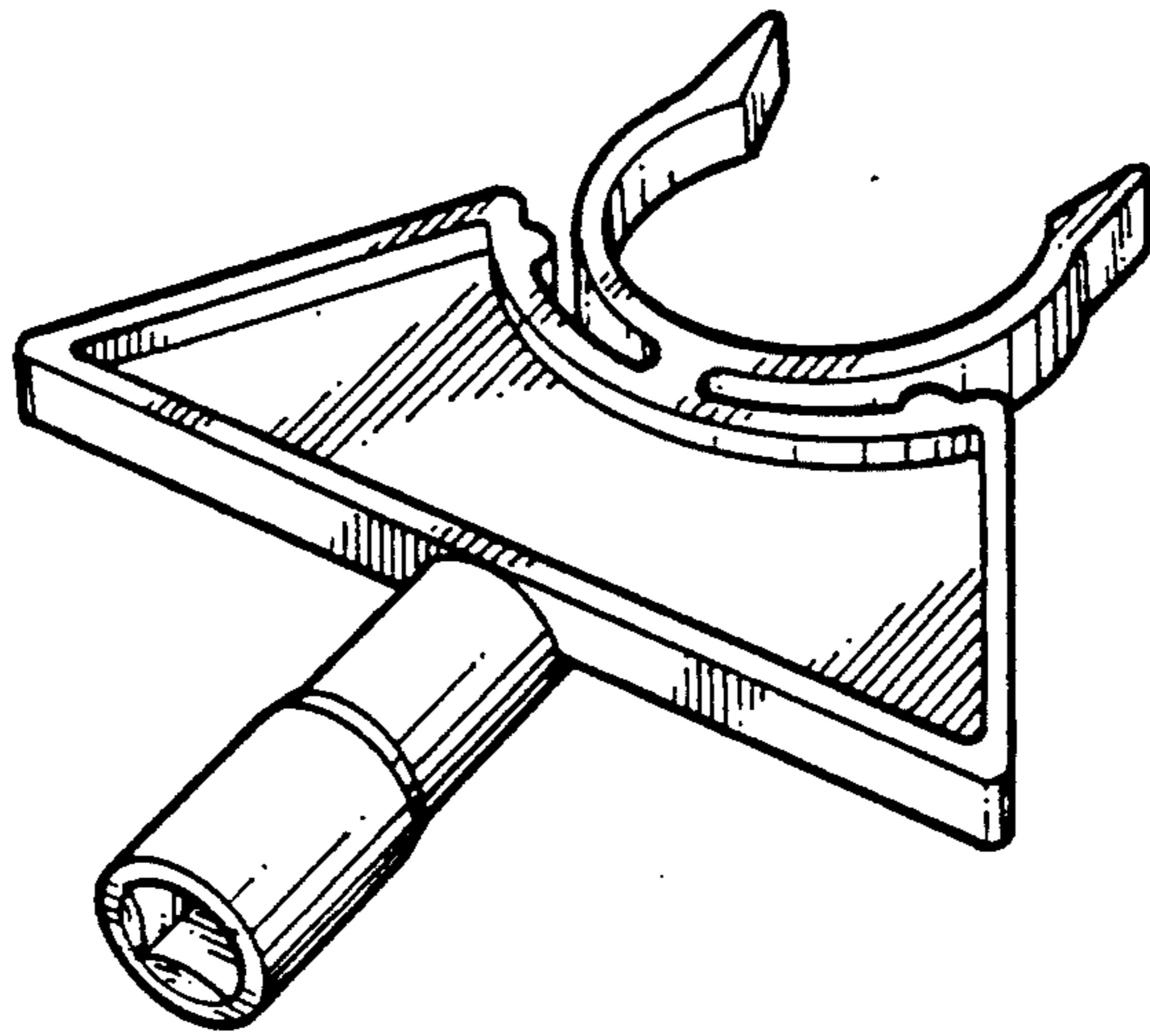


FIG. 1

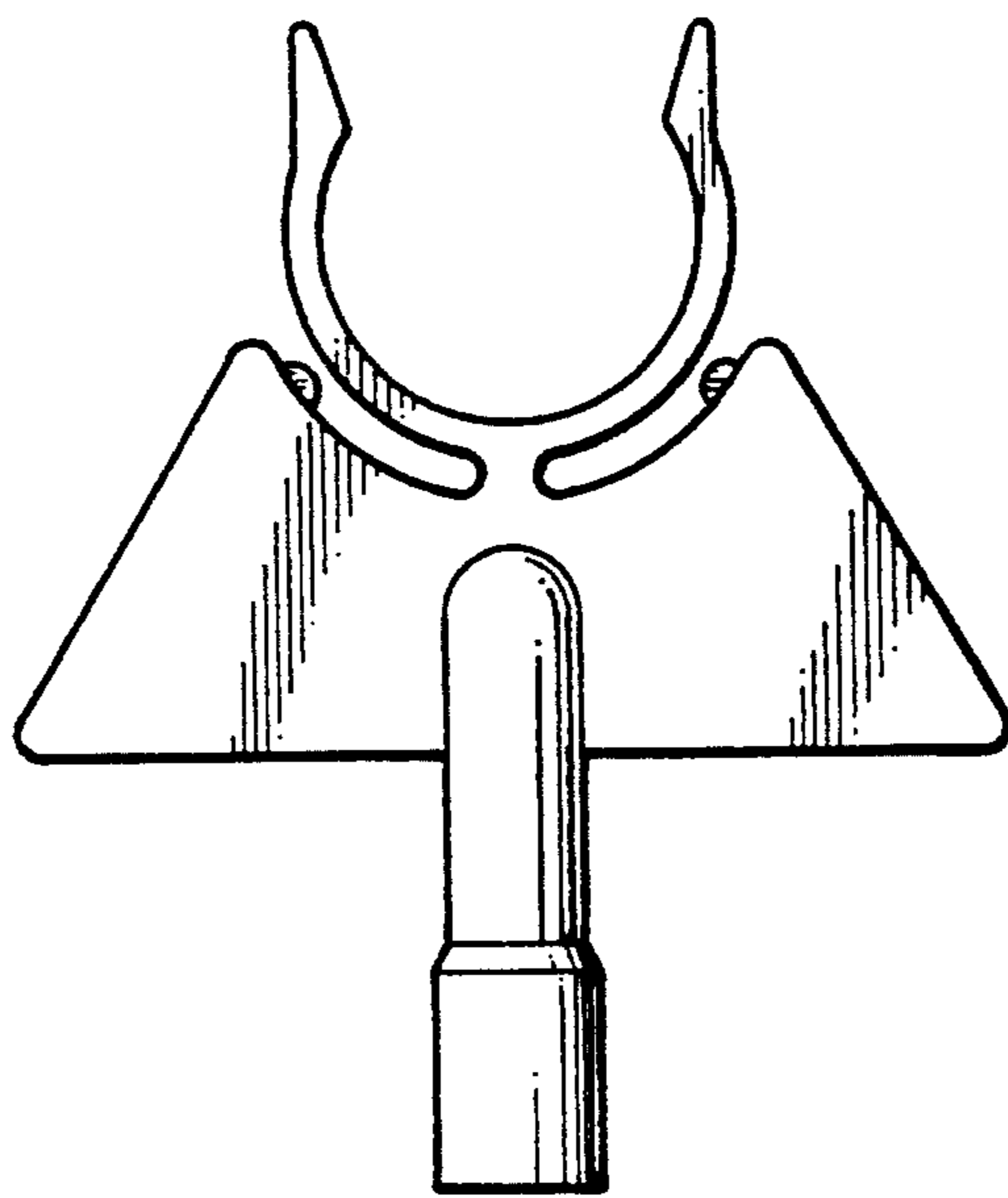


FIG. 2

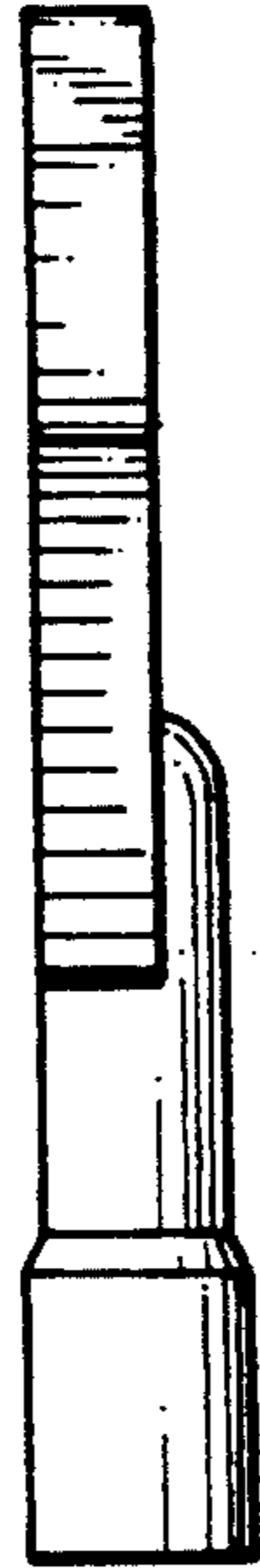


FIG. 3



FIG. 4



FIG. 5