



US00D346099S

United States Patent [19]

[11] Patent Number: **Des. 346,099**

Vossoughi et al.

[45] Date of Patent: **** Apr. 19, 1994**

[54] **HAND HELD POWER PRUNER**

[75] Inventors: **Sohrab Vossoughi; David Knaub; Robert Dillon**, all of Portland, Oreg.

[73] Assignee: **Blount, Inc.**, Portland, Oreg.

[**] Term: **14 Years**

[21] Appl. No.: **868,273**

[22] Filed: **Apr. 7, 1992**

[52] U.S. Cl. **D8/8**

[58] Field of Search **D8/8, 64, 65, 69; 30/264, 381, 388, 273, 277**

[56] **References Cited**

U.S. PATENT DOCUMENTS

D. 180,708	7/1957	Bruck	D8/64
D. 255,770	7/1980	Asamoto	D8/65
D. 302,785	8/1989	Cunningham	D8/64
D. 308,469	6/1990	Fushiya et al.	D8/64
D. 334,522	4/1993	Ogawa	D8/64

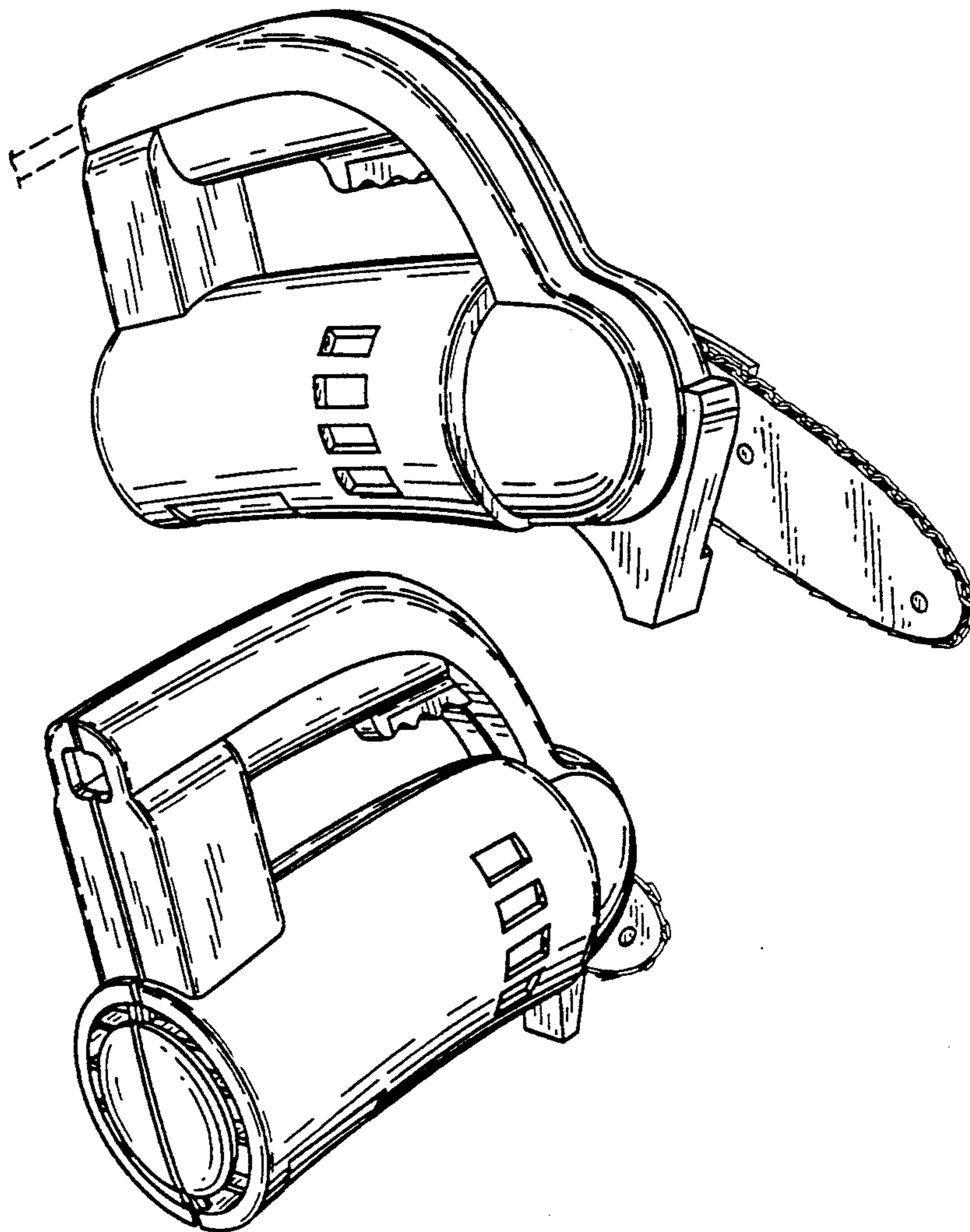
Primary Examiner—Wallace R. Burke
Assistant Examiner—H. Baynham
Attorney, Agent, or Firm—Robert L. Harrington

[57] **CLAIM**

The ornamental design for a hand held power pruner, as shown.

DESCRIPTION

FIG. 1 is a perspective view of a hand held power pruner showing our new design;
FIG. 2 is a rear perspective view thereof;
FIG. 3 is a front perspective view thereof;
FIG. 4 is a right side elevational view thereof;
FIG. 5 is a left side elevational view thereof;
FIG. 6 is a front, slightly in perspective view thereof;
FIG. 7 is a rear, slightly in perspective view thereof;
FIG. 8 is a top plan view thereof; and,
FIG. 9 is a bottom plan view thereof.
The broken lines showing a portion of a cord in FIG. 1 are for illustrated purposes only and form no part of the claimed design.



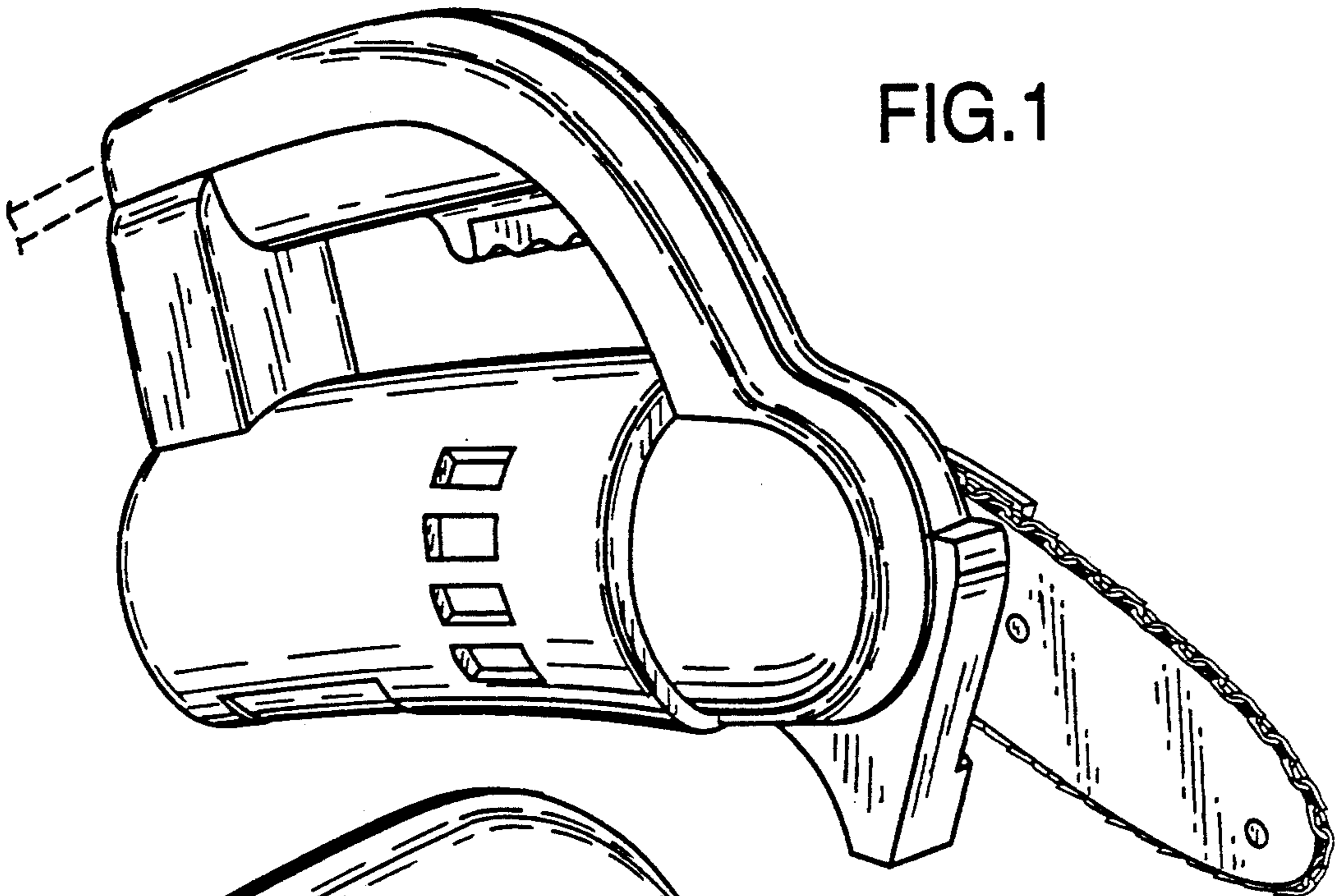


FIG.1

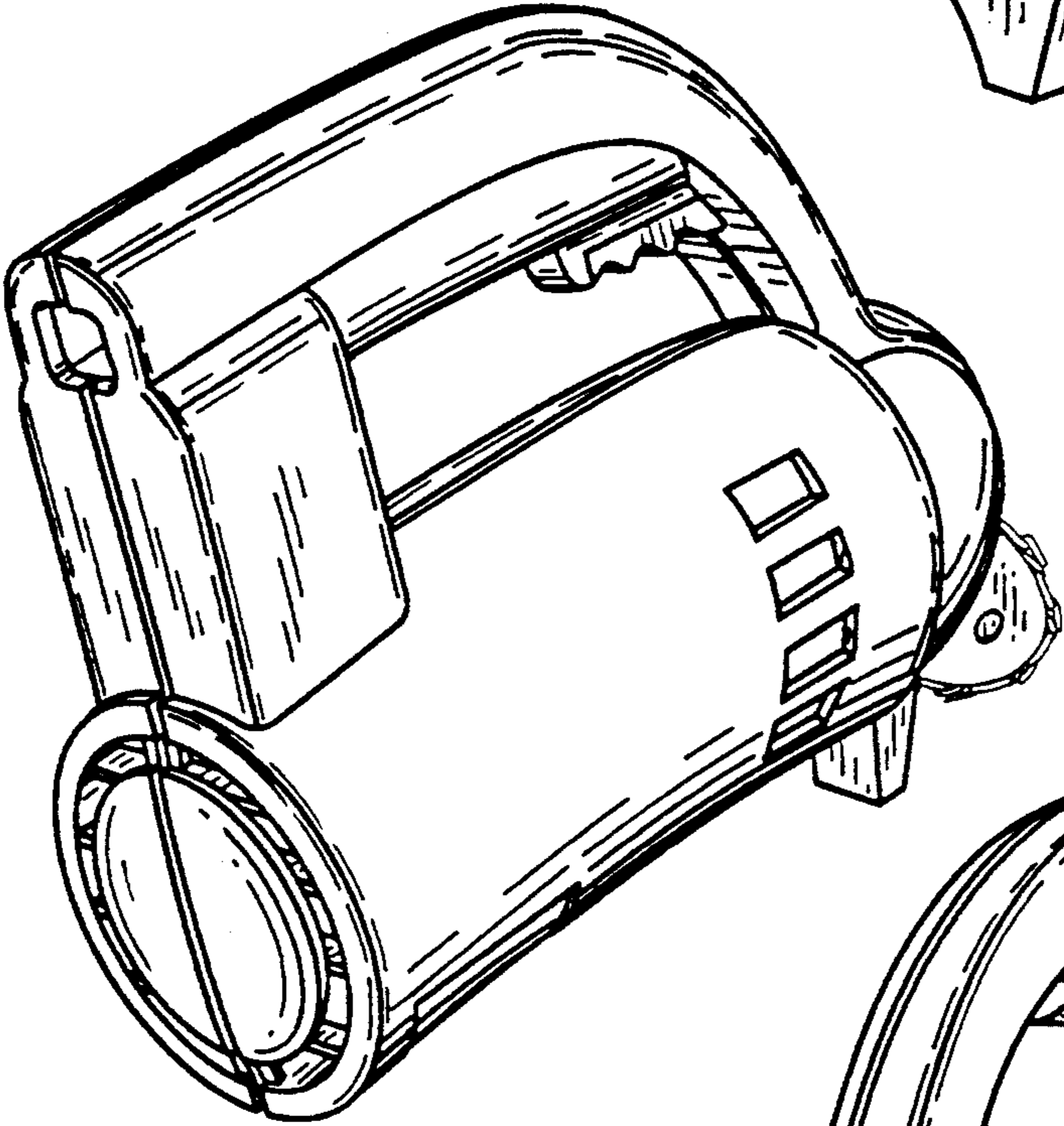


FIG.2

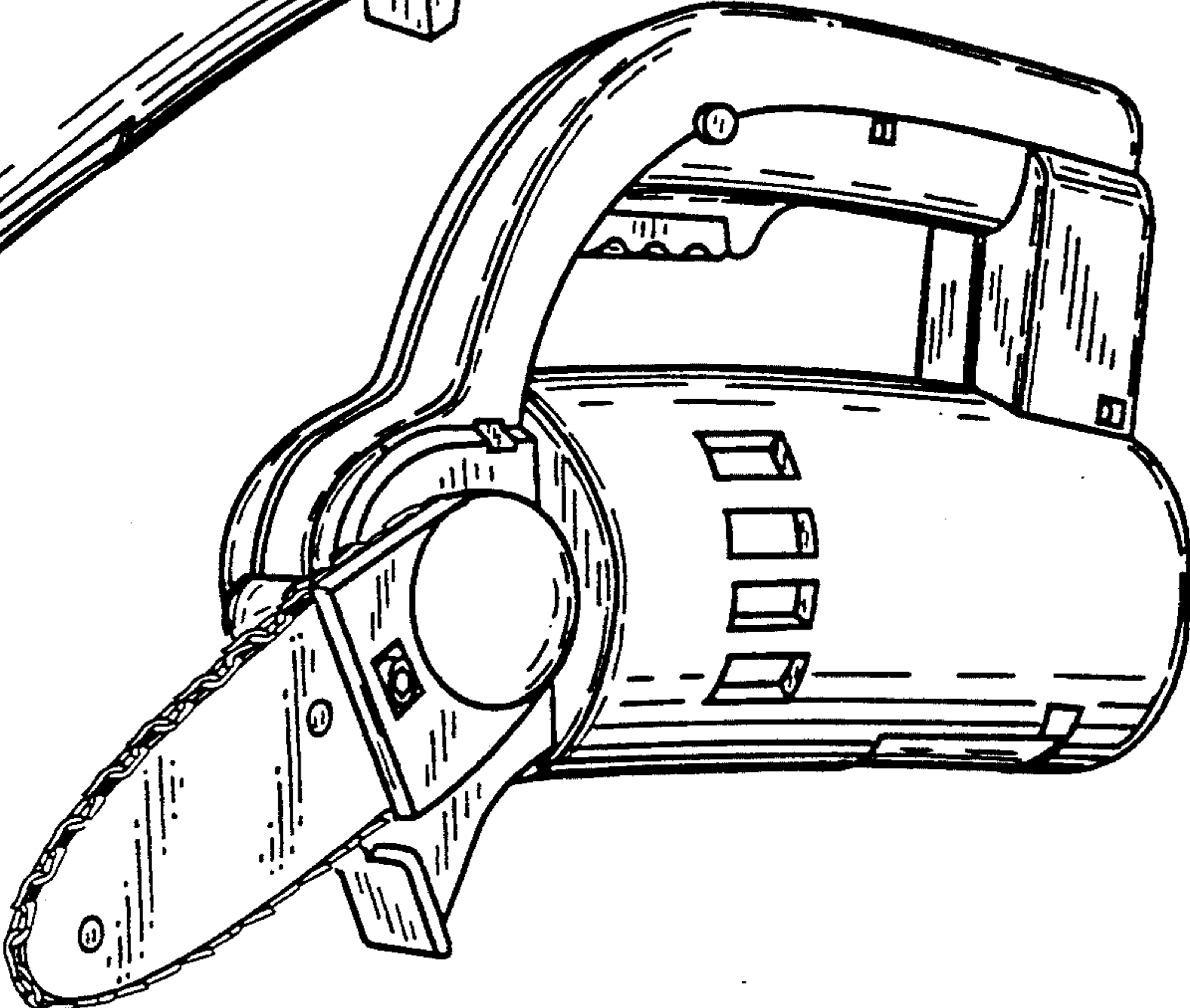


FIG.3

FIG. 4

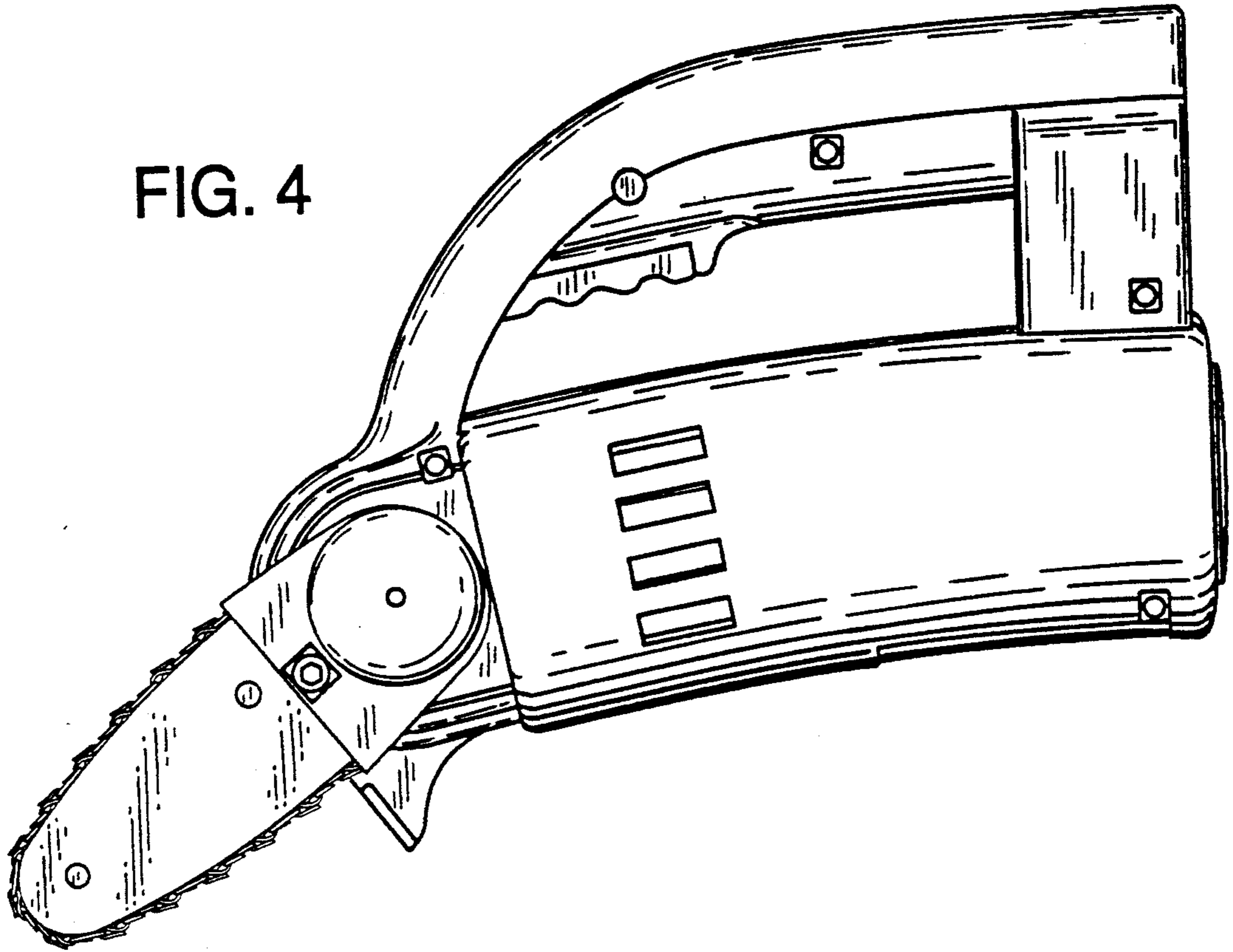


FIG. 5

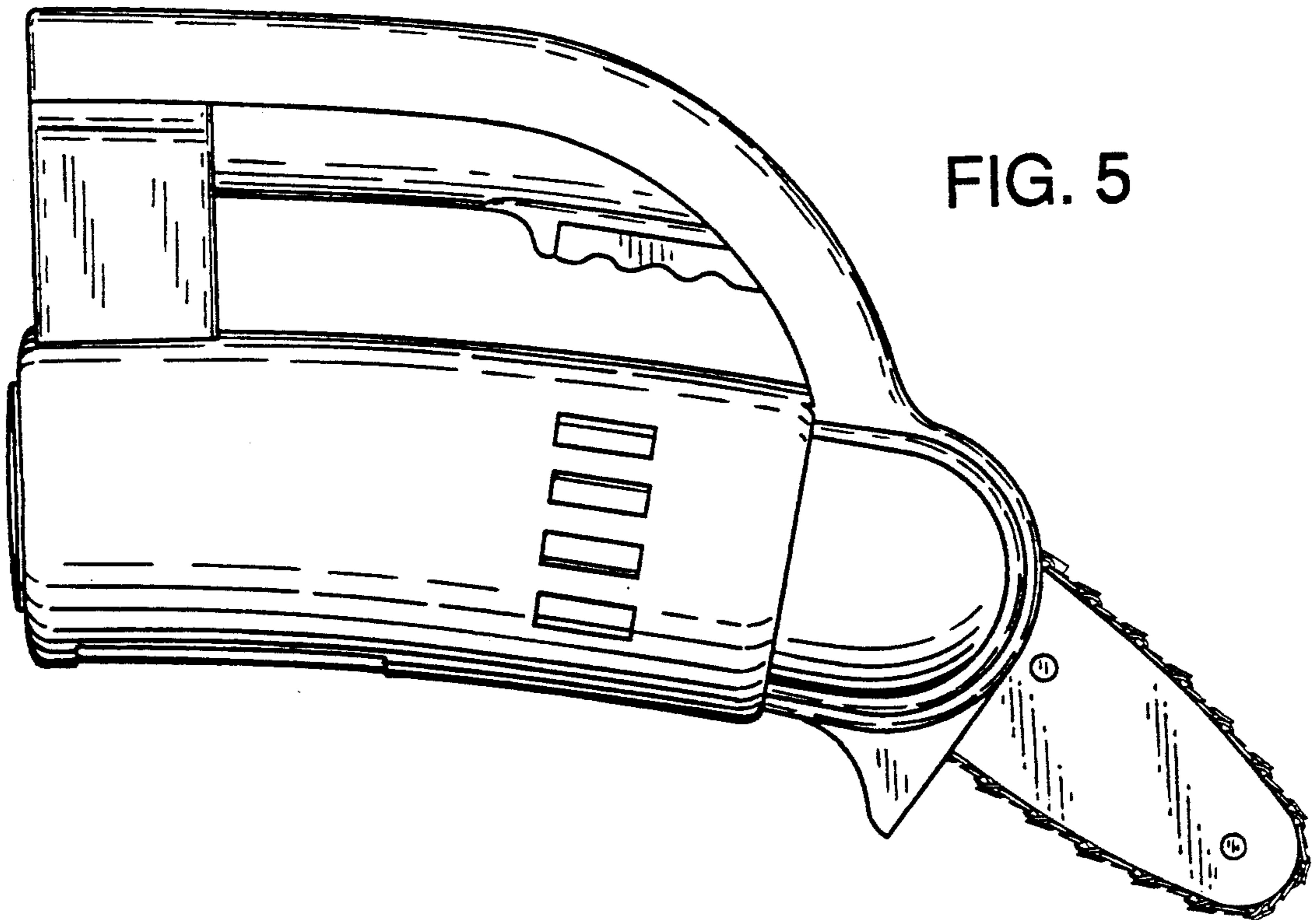


FIG. 6

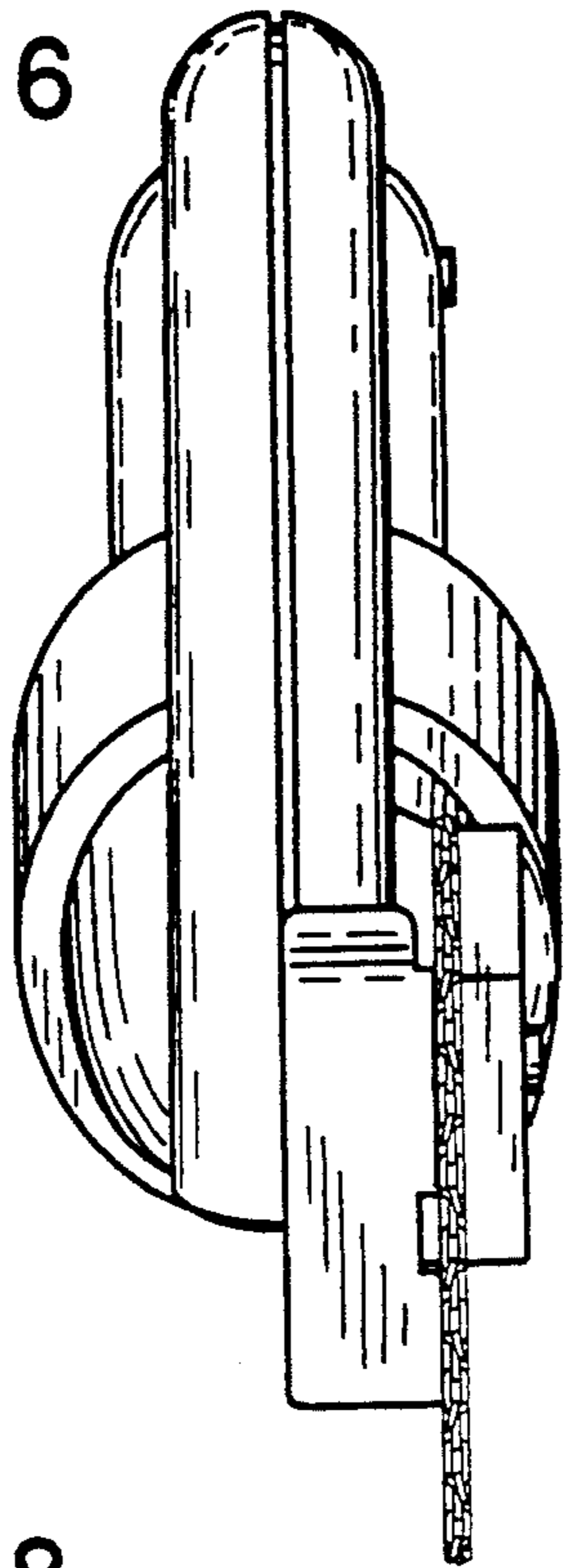


FIG. 7

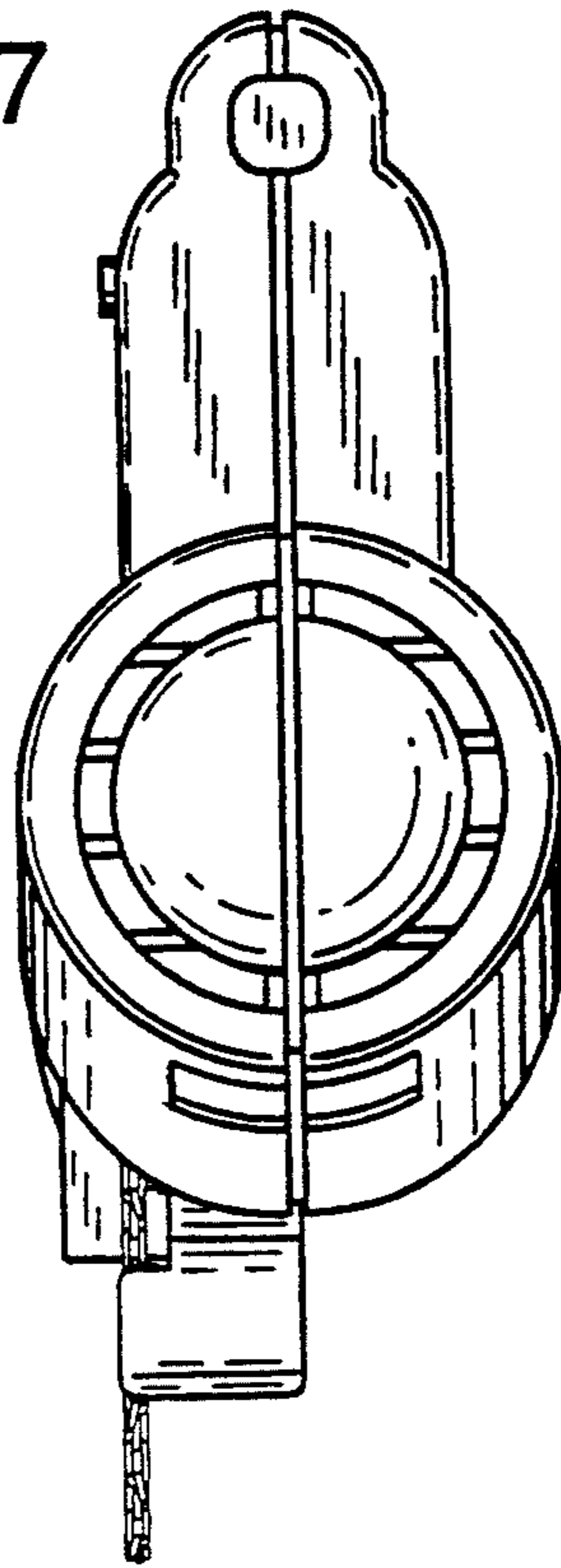


FIG. 8

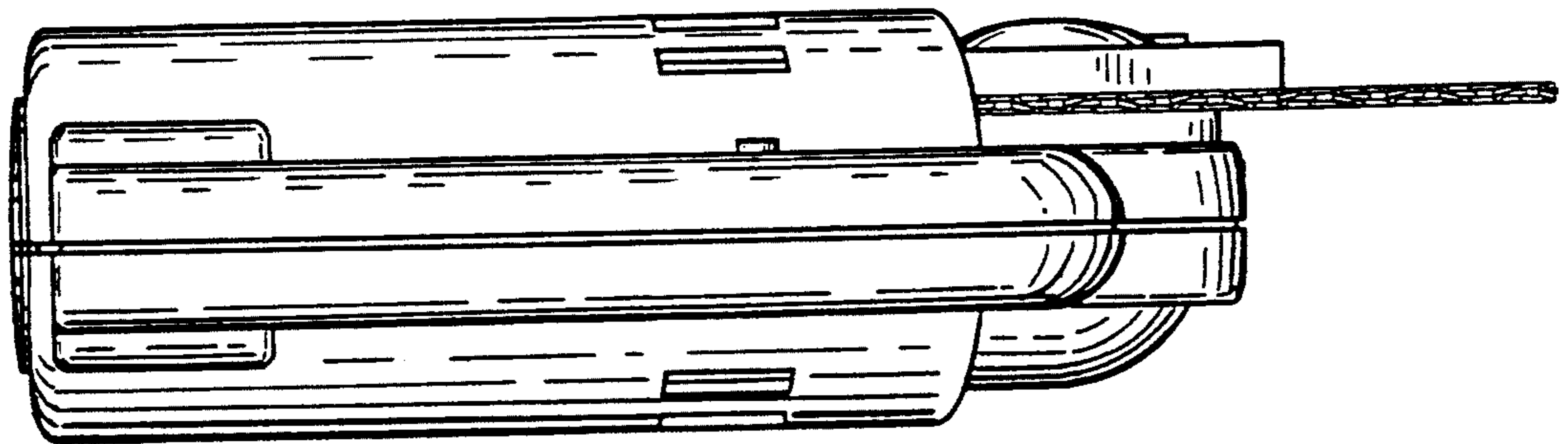


FIG. 9

