



US00D346095S

United States Patent [19]

[11] Patent Number: Des. 346,095

Gower

[45] Date of Patent: ** Apr. 19, 1994

[54] **DISPLAY RACK FOR COMMEMORATIVE BEVERAGE CONTAINERS**

[76] Inventor: **Clarence W. Gower**, 1604 Pinedale Dr., Raleigh, N.C. 27603

[**] Term: **14 Years**

[21] Appl. No.: **949,122**

[22] Filed: **Sep. 23, 1992**

[52] U.S. Cl. **D7/701**

[58] Field of Search **D7/616-623;**
D6/469, 476; 211/74; 294/32

[56] **References Cited**

U.S. PATENT DOCUMENTS

D. 140,476	2/1945	Green	D7/617
2,046,864	7/1936	Baker	211/74 X
3,905,529	9/1975	Lev	211/74 X
4,285,449	8/1981	Campos	294/32

Primary Examiner—Terry A. Wallace

Attorney, Agent, or Firm—John G. Mills

[57] **CLAIM**

The ornamental design for a display rack for commemorative beverage containers, as shown and described.

DESCRIPTION

FIG. 1 is a perspective view of a display rack for commemorative beverage containers showing my new design;

FIG. 2 is a front elevational view thereof, the opposite side being a mirror image;

FIG. 3 is a top plan view thereof;

FIG. 4 is a side elevational view thereof, the opposite side being a mirror image;

FIG. 5 is a perspective view of an alternate embodiment of FIG. 1;

FIG. 6 is a top plan view of FIG. 6;

FIG. 7 is a side elevational view of FIG. 6, the opposite side being a mirror image;

FIG. 8 is a perspective view of an alternate embodiment of FIG. 1;

FIG. 9 is a top plan view of FIG. 8;

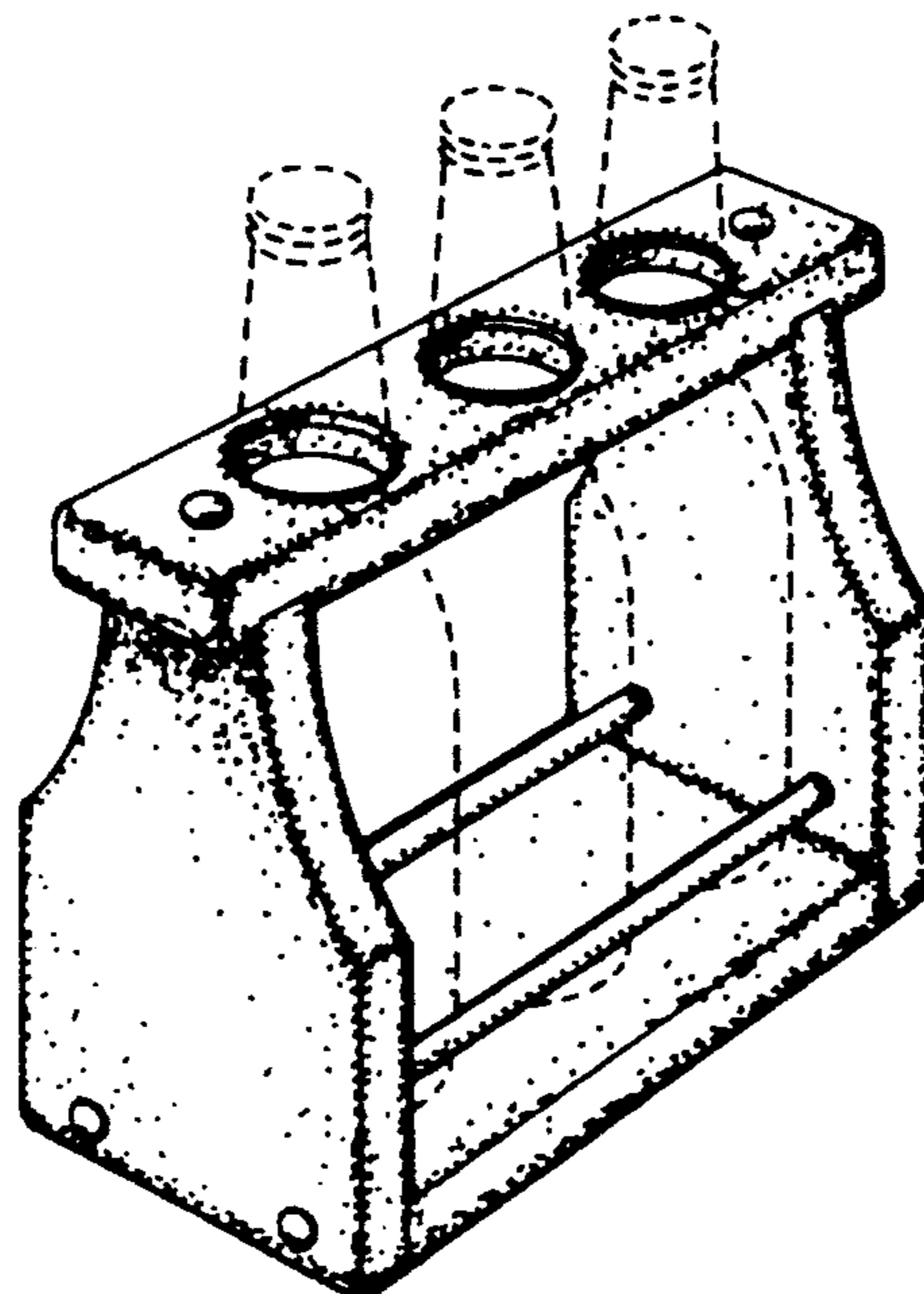
FIG. 10 is a side elevational view of FIG. 8, the opposite side being a mirror image;

FIG. 11 is a perspective view of an alternate embodiment of FIG. 1;

FIG. 12 is a top plan view of FIG. 11; and,

FIG. 13 is a side elevational view of FIG. 11, the opposite side being a mirror image.

The undisclosed bottom view of all the embodiments in unornamented.



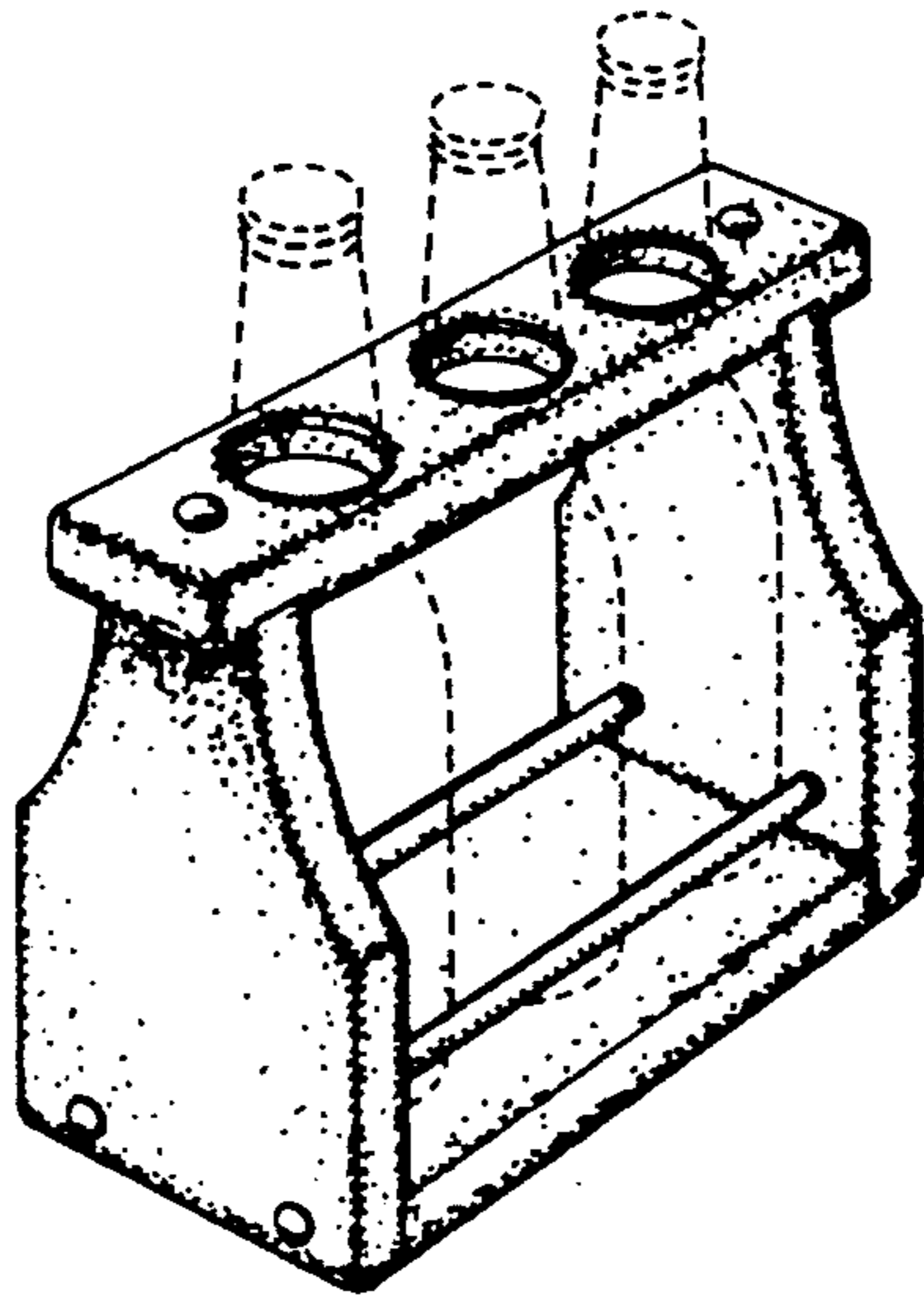


FIG. 1



FIG. 2

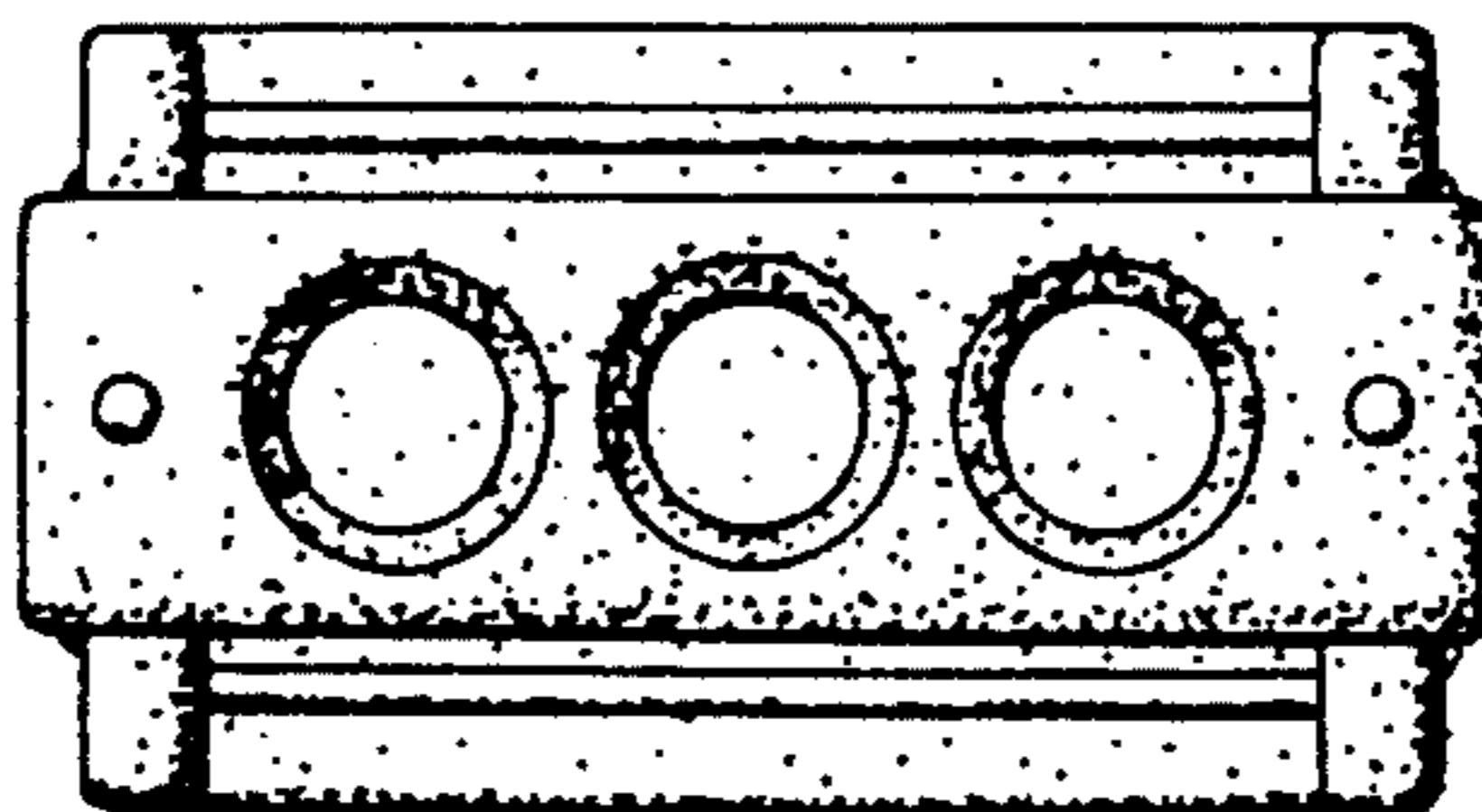


FIG. 3

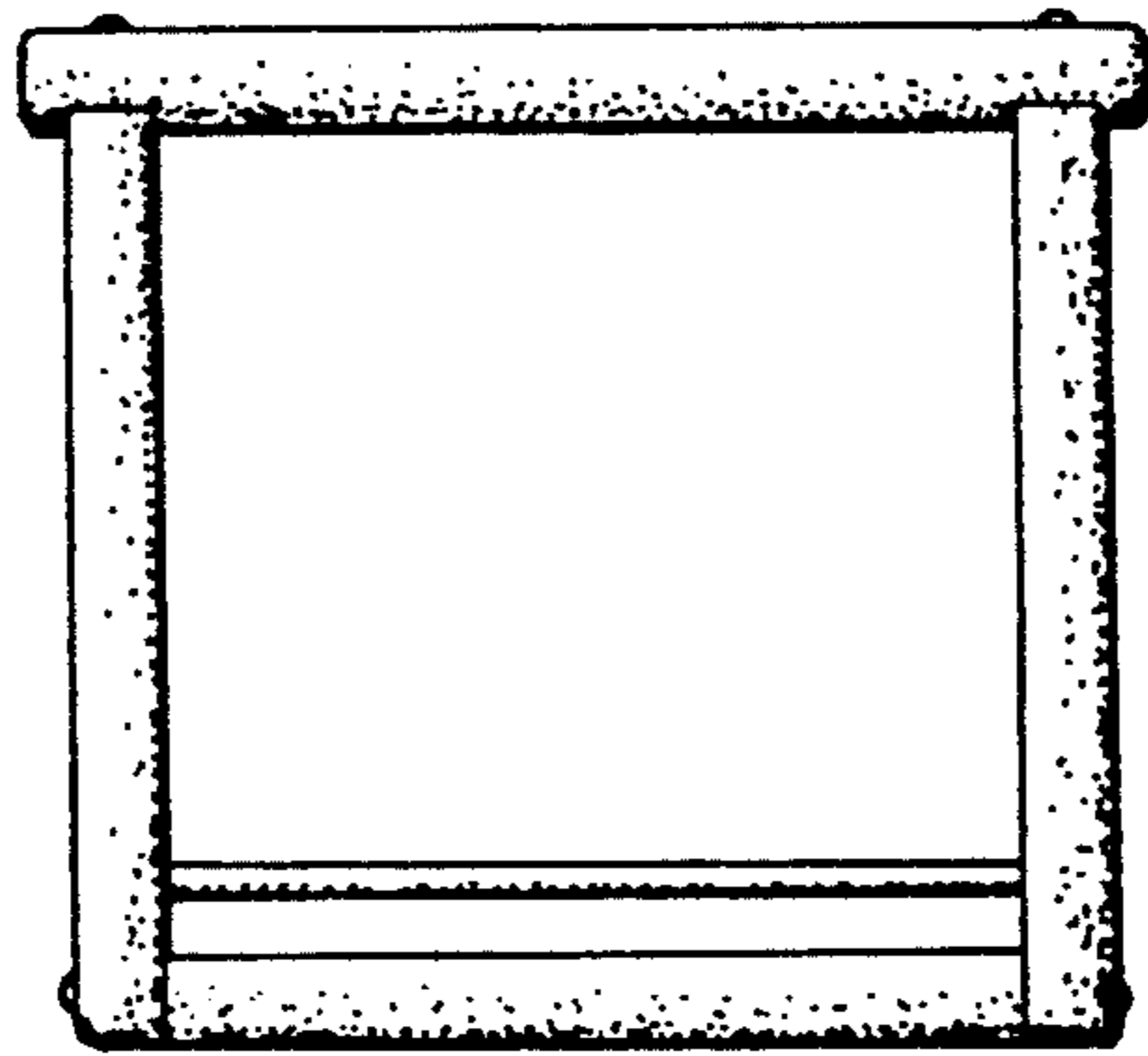


FIG. 4

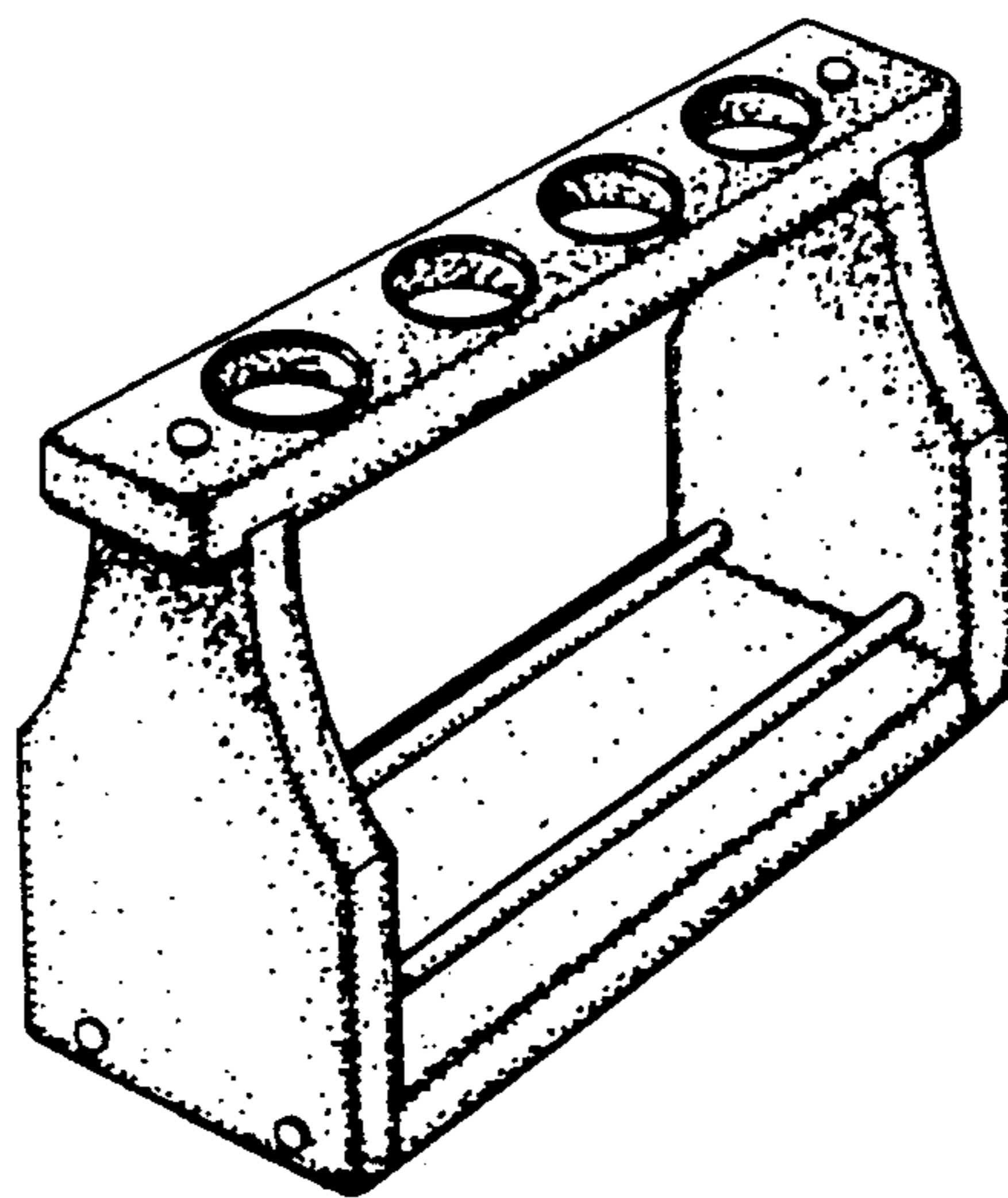


FIG. 5

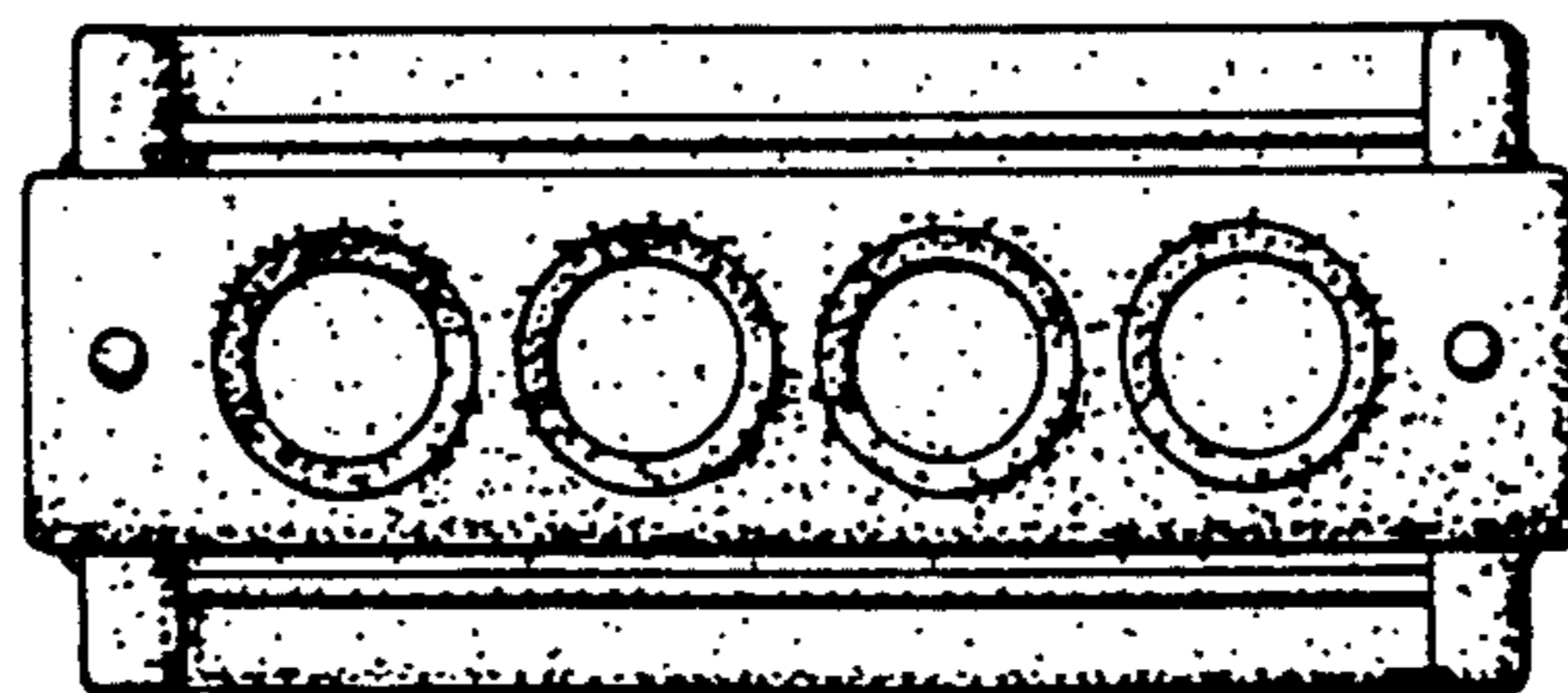


FIG. 6

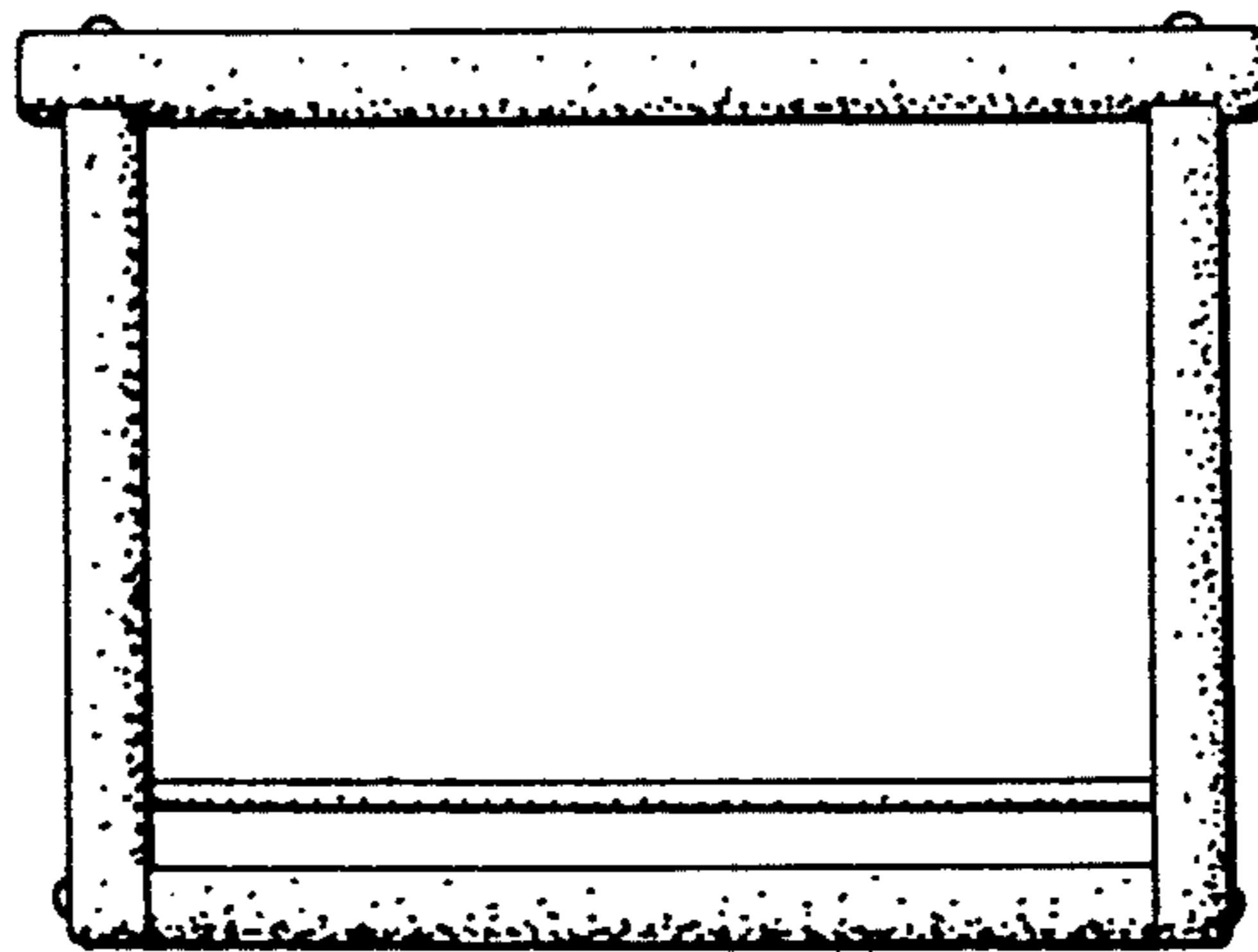


FIG. 7

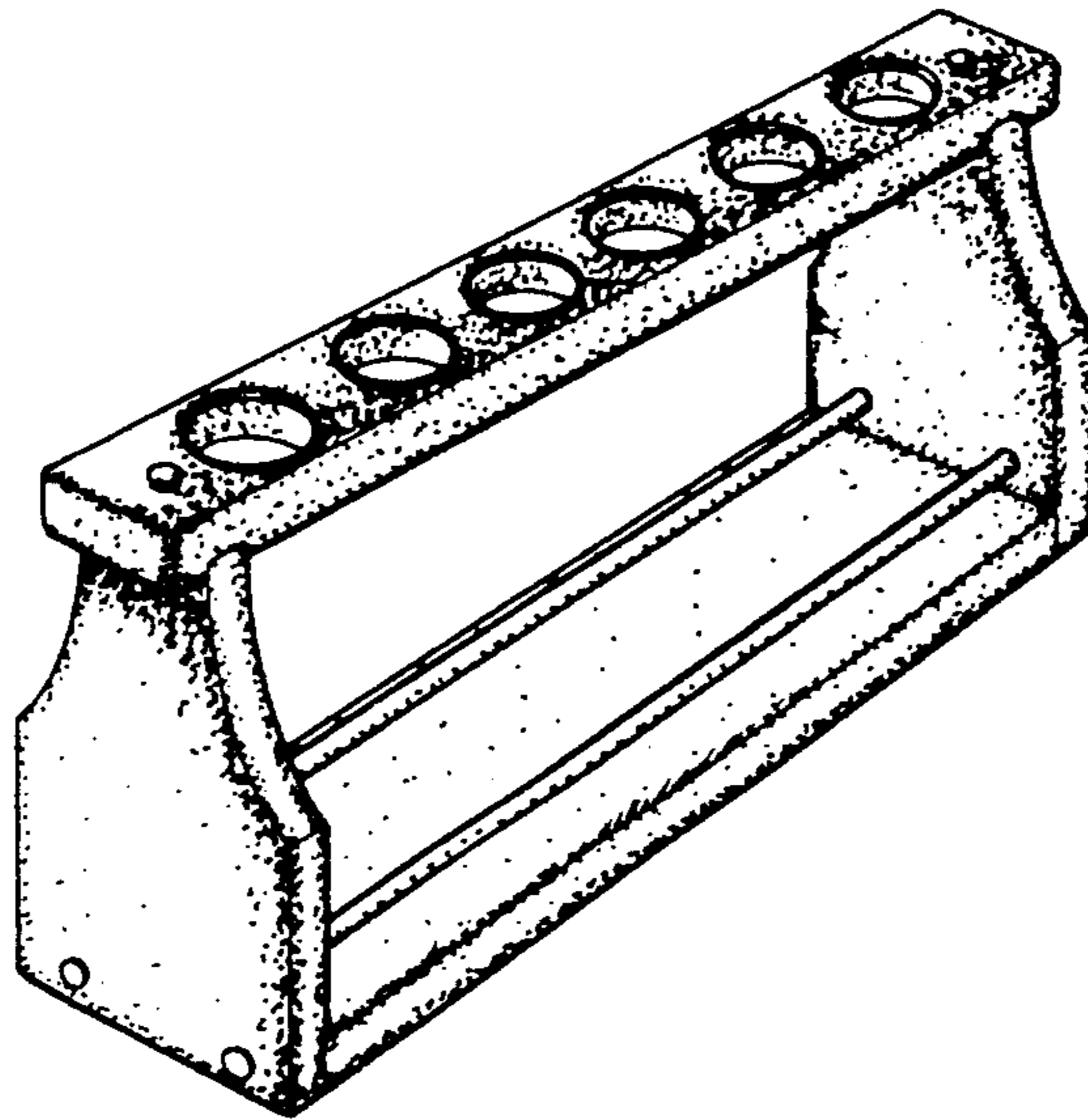


FIG. 8

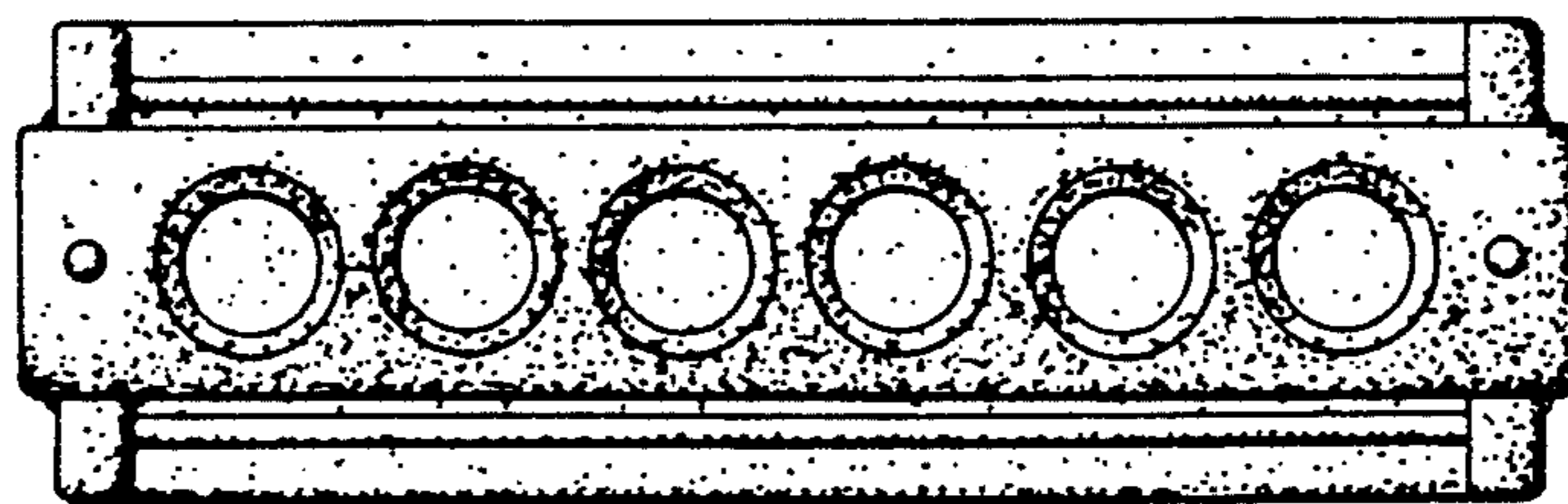


FIG. 9

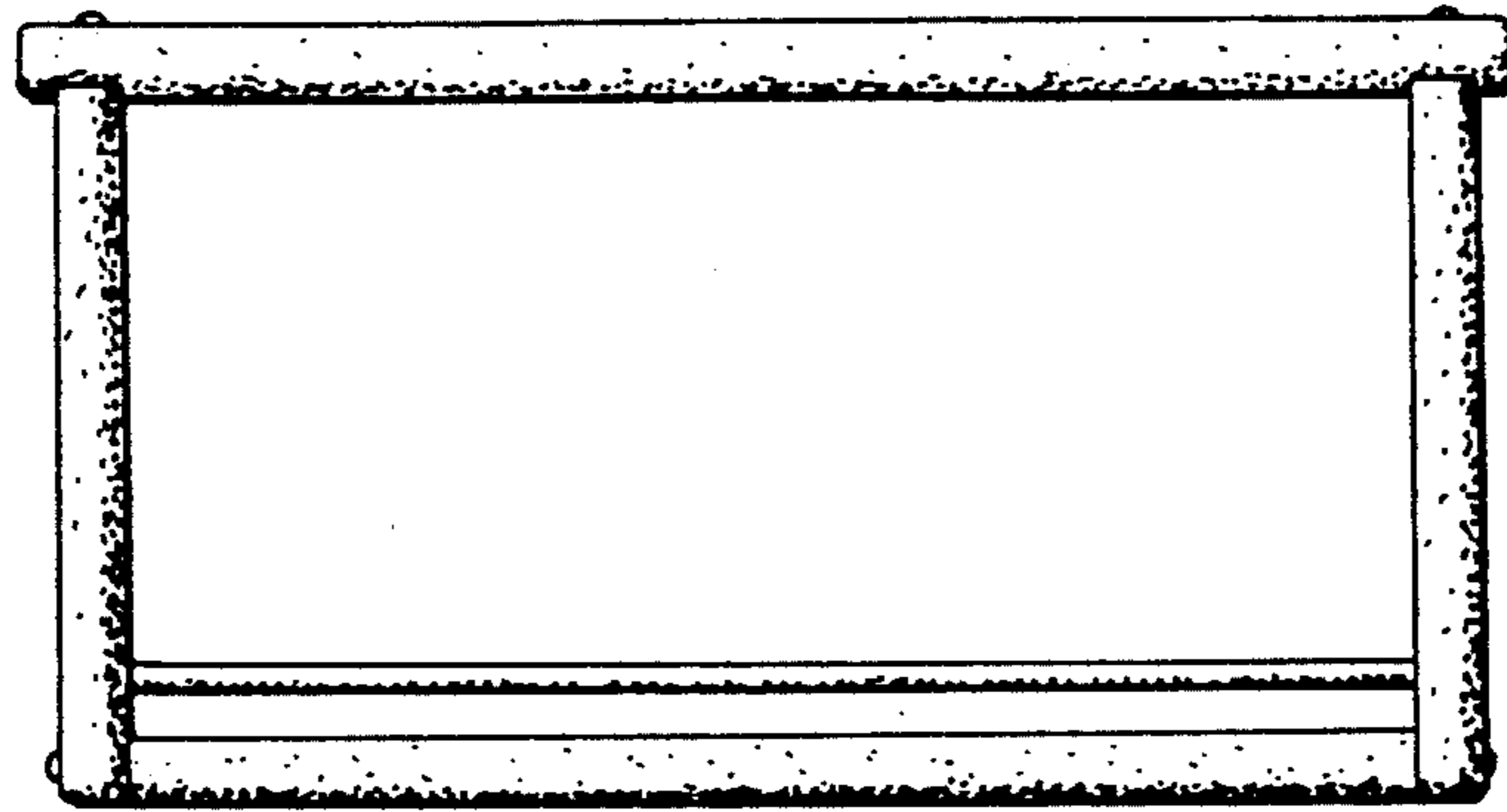


FIG. 10

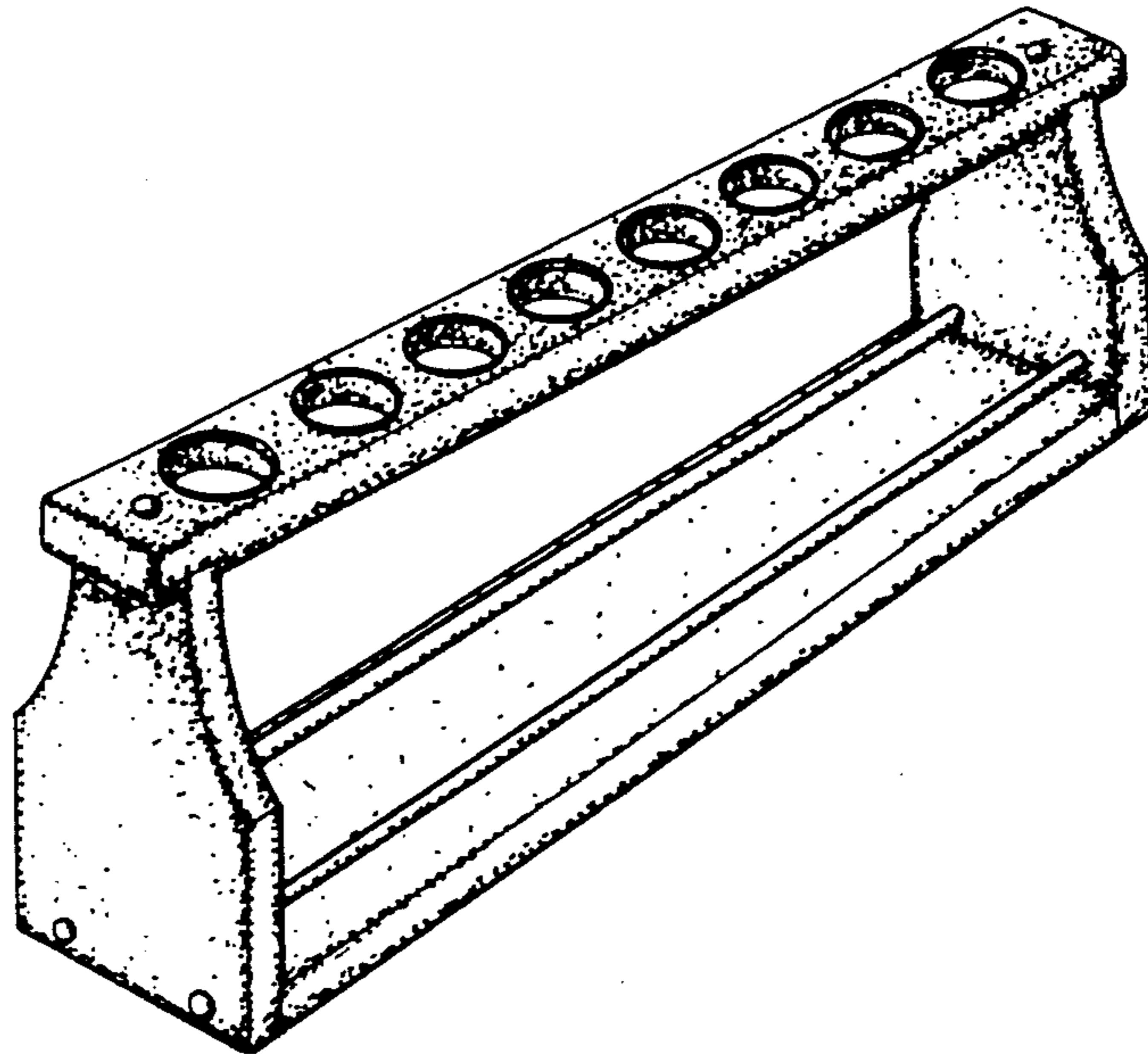


FIG. 11

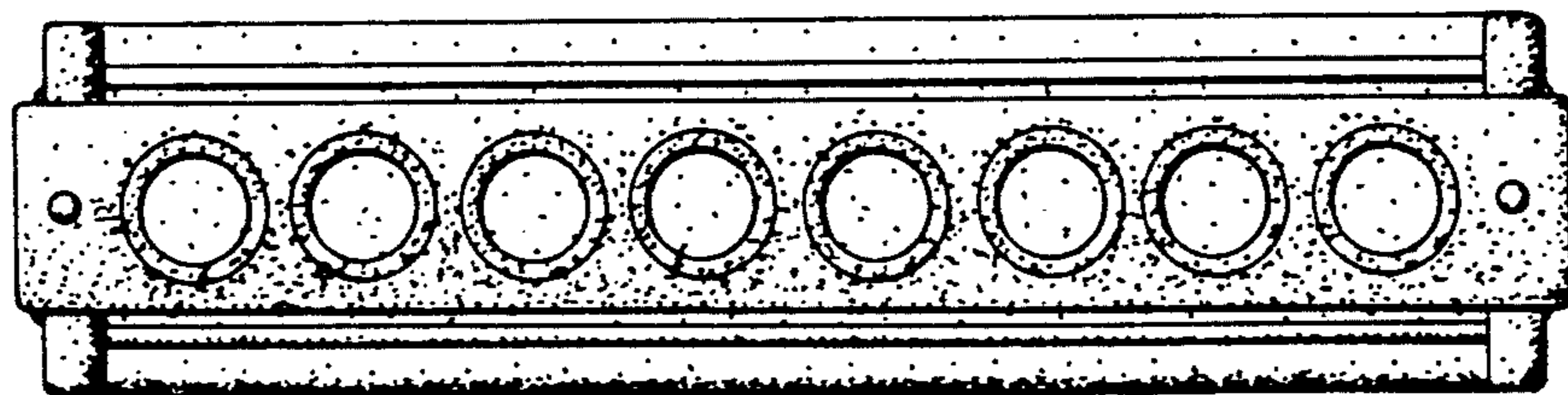


FIG. 12

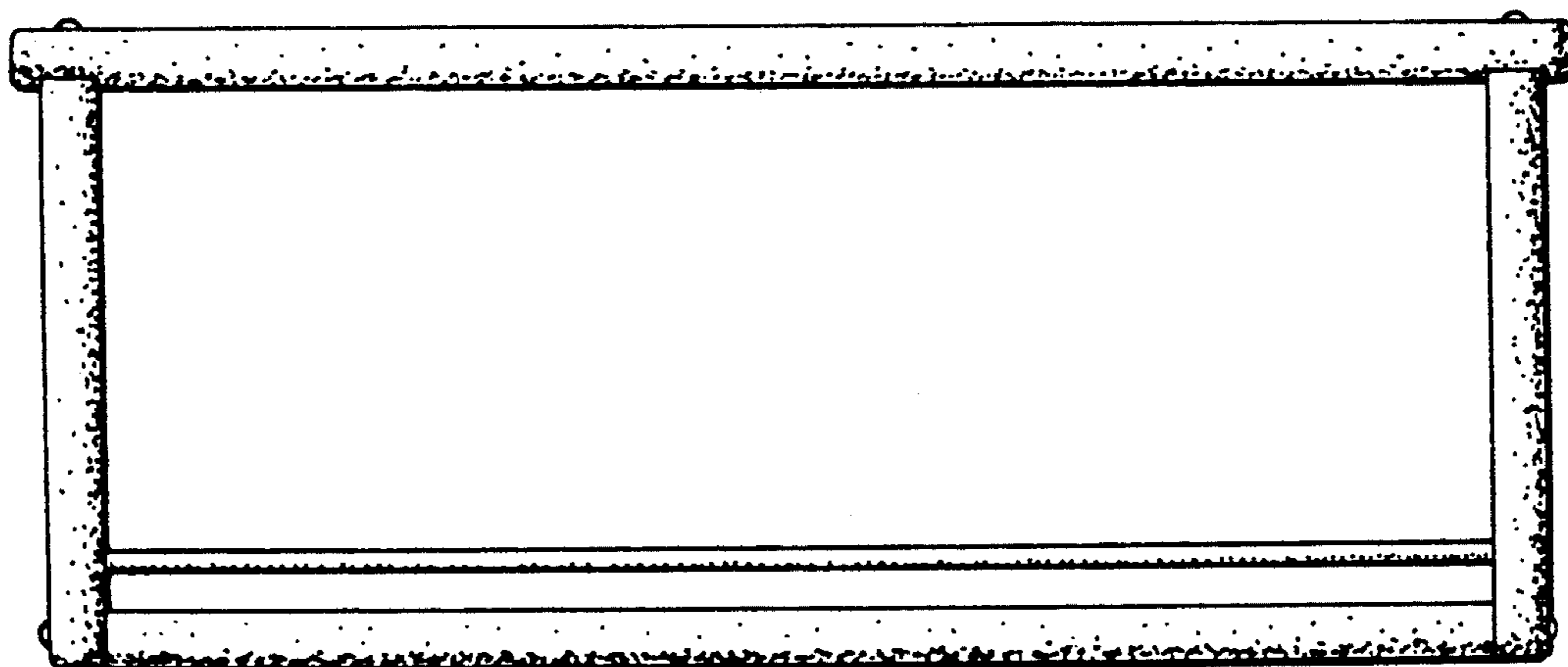


FIG. 13