



US00D346093S

United States Patent [19]
Holson

[11] **Patent Number: Des. 346,093**
[45] **Date of Patent: ** Apr. 19, 1994**

[54] **JAM CADDIE**

[76] **Inventor: Scott I. Holson, R.R. #1, Box 432, Pittsford, Vt. 05763**

[**] **Term: 14 Years**

[21] **Appl. No.: 940,807**

[22] **Filed: Sep. 8, 1992**

[52] **U.S. Cl. D7/600**

[58] **Field of Search D7/590, 592, 600, 601; 211/71, 74, 126; 220/553, 557, 564; 222/179.5**

[56] **References Cited**

U.S. PATENT DOCUMENTS

D. 48,234 11/1915 Wilcox D7/592 X

D. 96,450 8/1935 Daum D7/614 X
D. 129,633 9/1941 Bowers D7/600

Primary Examiner—Terry A. Wallace
Attorney, Agent, or Firm—John J. Welch, Jr.

[57] **CLAIM**

The ornamental design for a jam caddie, as shown and described.

DESCRIPTION

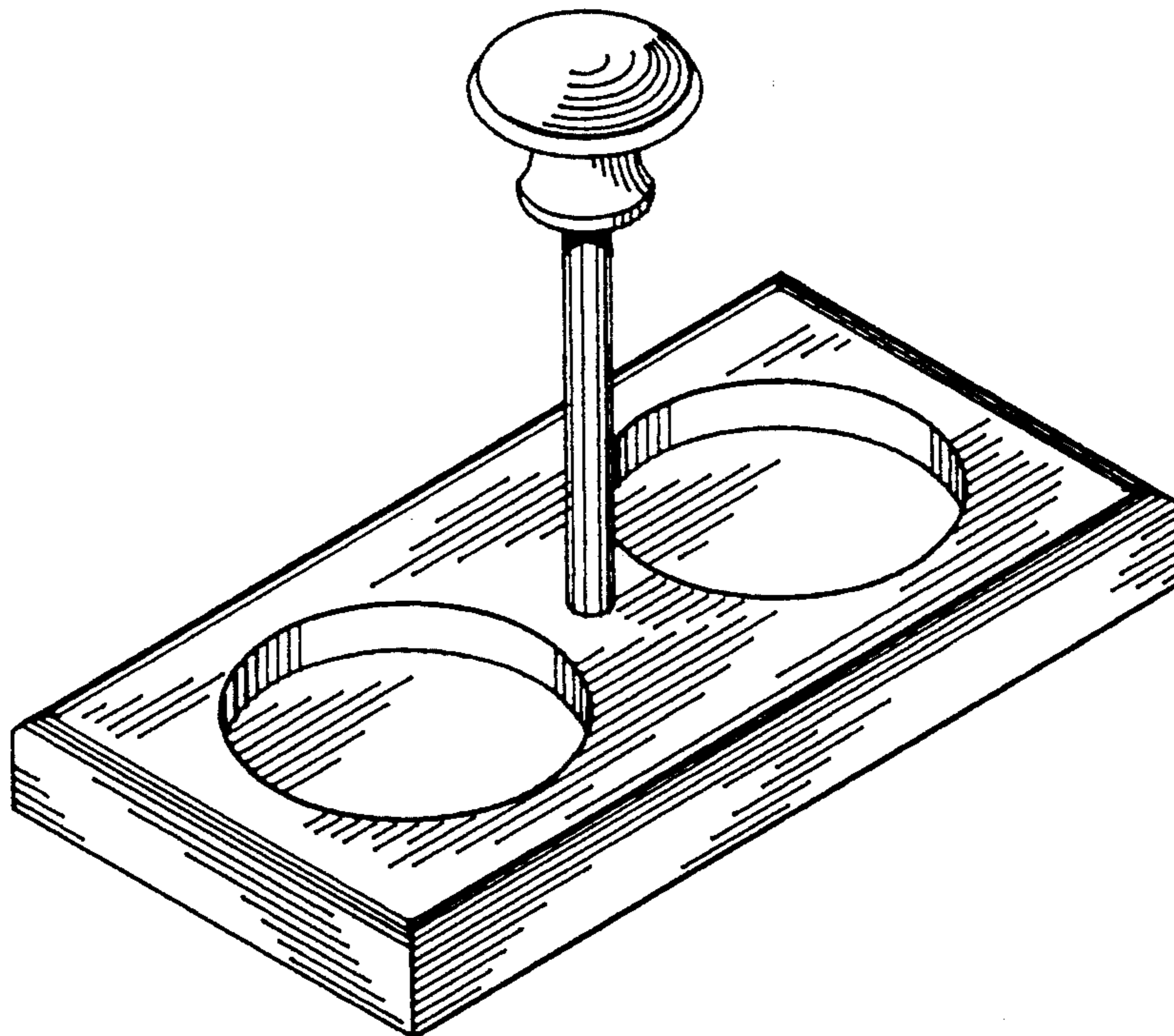
FIG. 1 is a top plan view of a jam caddie showing my new design;

FIG. 2 is a front elevational view thereof;

FIG. 3 is a bottom plan view thereof;

FIG. 4 is a side elevational view thereof; and,

FIG. 5 is a perspective view thereof.



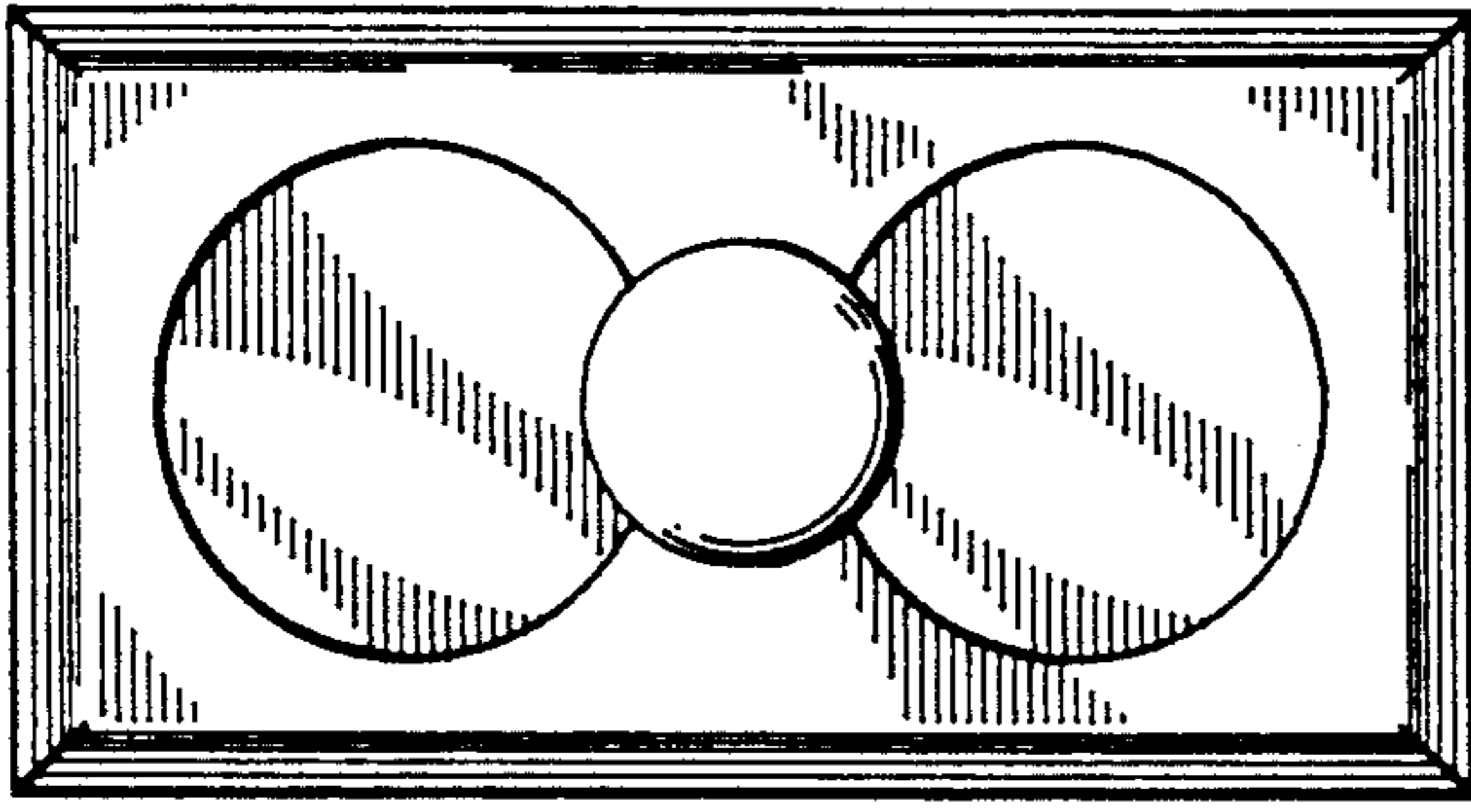


FIG. 1

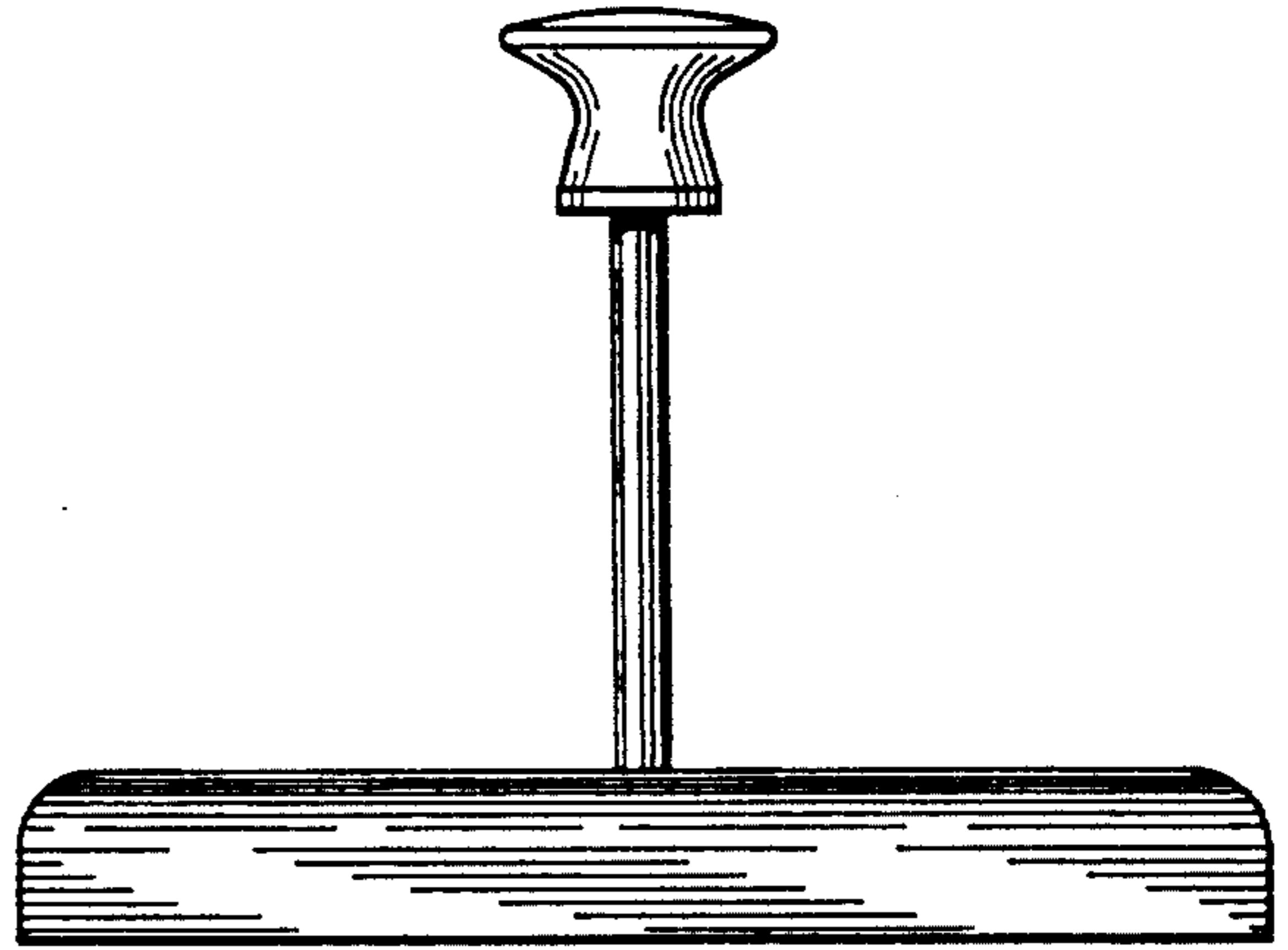


FIG. 2

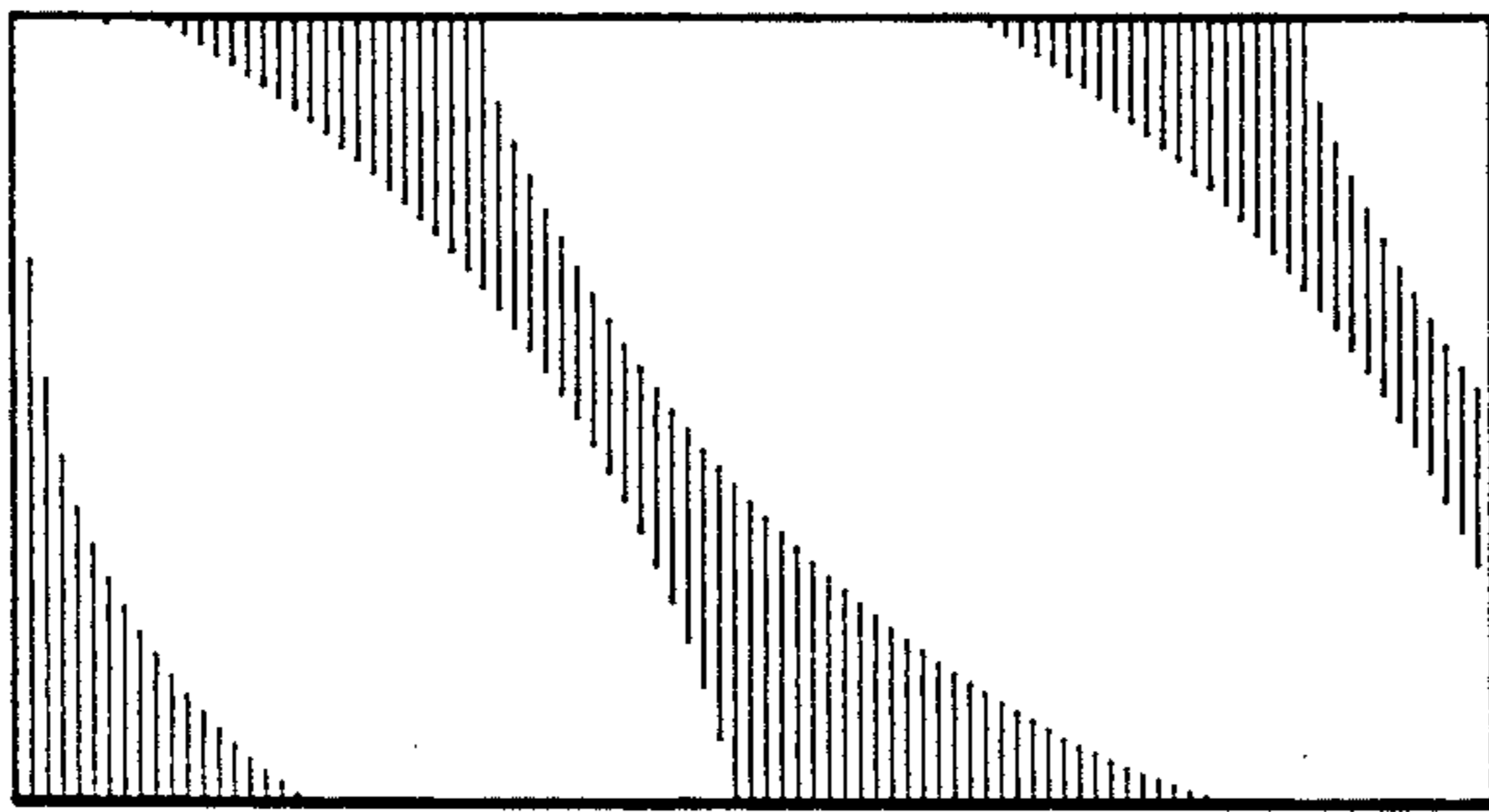


FIG. 3

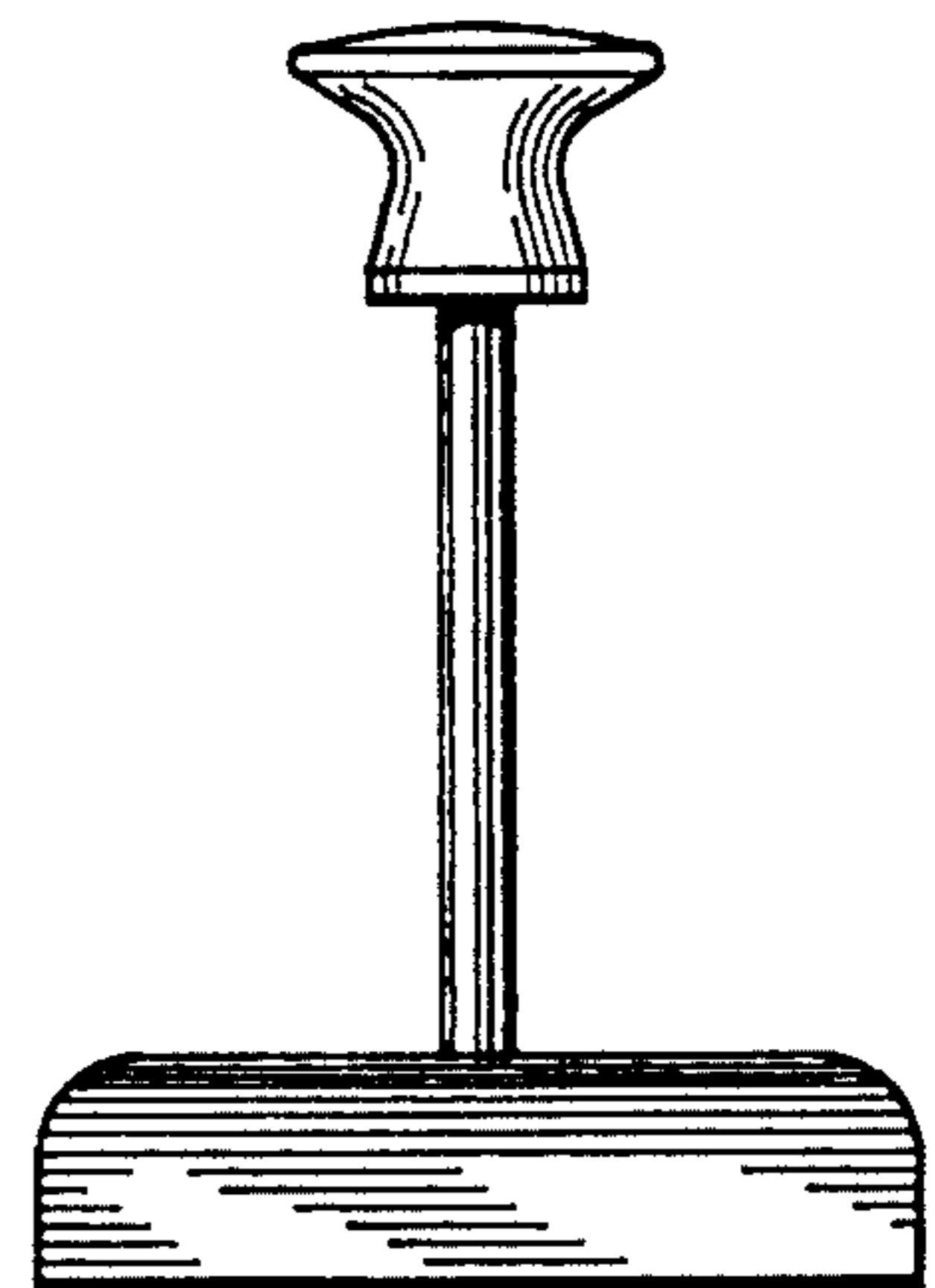


FIG. 4

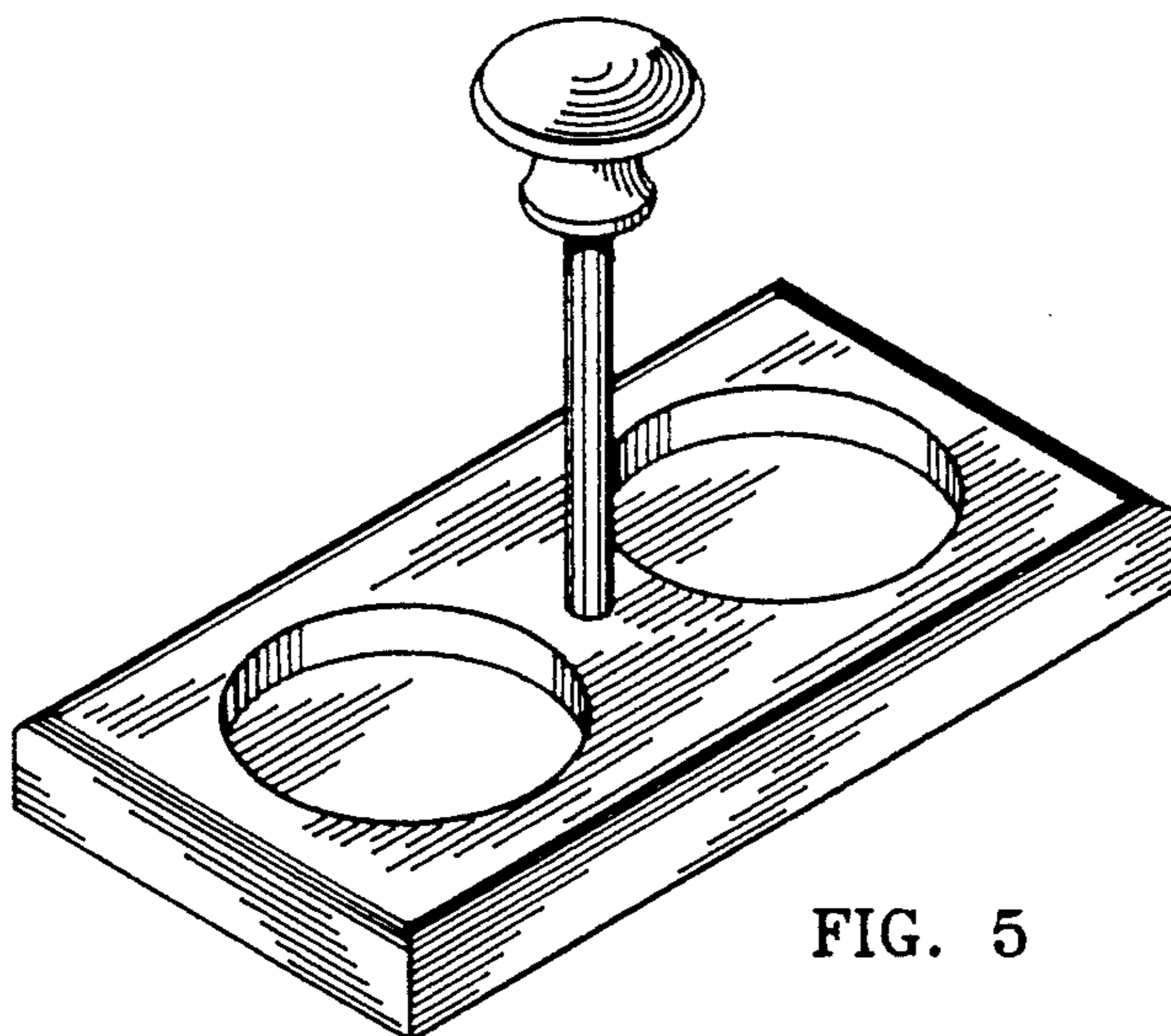


FIG. 5