



US00D346092S

United States Patent [19]

[11] Patent Number: **Des. 346,092**

Van De Velde

[45] Date of Patent: **** Apr. 19, 1994**

[54] **COMBINED INSULATED CONTAINER WITH COVER**

5,029,720 7/1991 Bridges D7/507 X
5,188,253 2/1993 Poor et al. 220/212

[76] Inventor: **Jack A. Van De Velde,**
Garderenstraat 22, 5043 NG Tilburg,
Netherlands

Primary Examiner—Nelson C. Holtje
Assistant Examiner—M. N. Pandozzi
Attorney, Agent, or Firm—Foley & Lardner

[**] Term: **14 Years**

[57] **CLAIM**

[21] Appl. No.: **897,530**

The ornamental design for a combined insulated container with cover, as shown and described.

[22] Filed: **Jun. 12, 1992**

DESCRIPTION

[52] U.S. Cl. **D7/538; D7/533; D7/536**

[58] **Field of Search** D7/507, 508, 506, 509, D7/510, 511, 533, 534, 535, 536, 538, 558, 505; 220/23.83, 756, 769, 771, 379, 212; 215/228, 100 A, 11.1; D9/436, 341

FIG. 1 is a top perspective view of a combined insulated container with cover showing my new design; FIG. 2 is a top perspective view thereof with cover removed for ease of illustration; FIG. 3 is a top perspective view of the cover with the container omitted for ease of illustration; FIG. 4 is a bottom perspective view of the cover with the container omitted for ease of illustration; FIG. 5 is a front elevational view of FIG. 1; FIG. 6 is a rear elevational view with the lid in an alternate position; FIG. 7 is a right side elevational view of FIG. 5; FIG. 8 is a left side elevational view of FIG. 6; FIG. 9 is a top plan view of FIG. 5; FIG. 10 is a top plan view of FIG. 6; FIG. 11 is a bottom plan view of FIG. 6; and, FIG. 12 is a bottom plan view of FIG. 5.

[56] **References Cited**

U.S. PATENT DOCUMENTS

D. 279,850	7/1985	Booker et al.	D7/507
D. 289,955	5/1987	Buist	D7/510 X
D. 295,024	4/1988	Trick	D9/436
1,221,639	4/1917	Walsh	D7/536 X
1,778,175	10/1930	Thune	206/501 X
2,766,796	10/1956	Tupper	D9/341 X
3,040,549	8/1977	Sadler	D7/507 X
3,257,024	6/1966	Schmanchik	D7/505 X
4,618,066	10/1986	Vail	D7/507 X

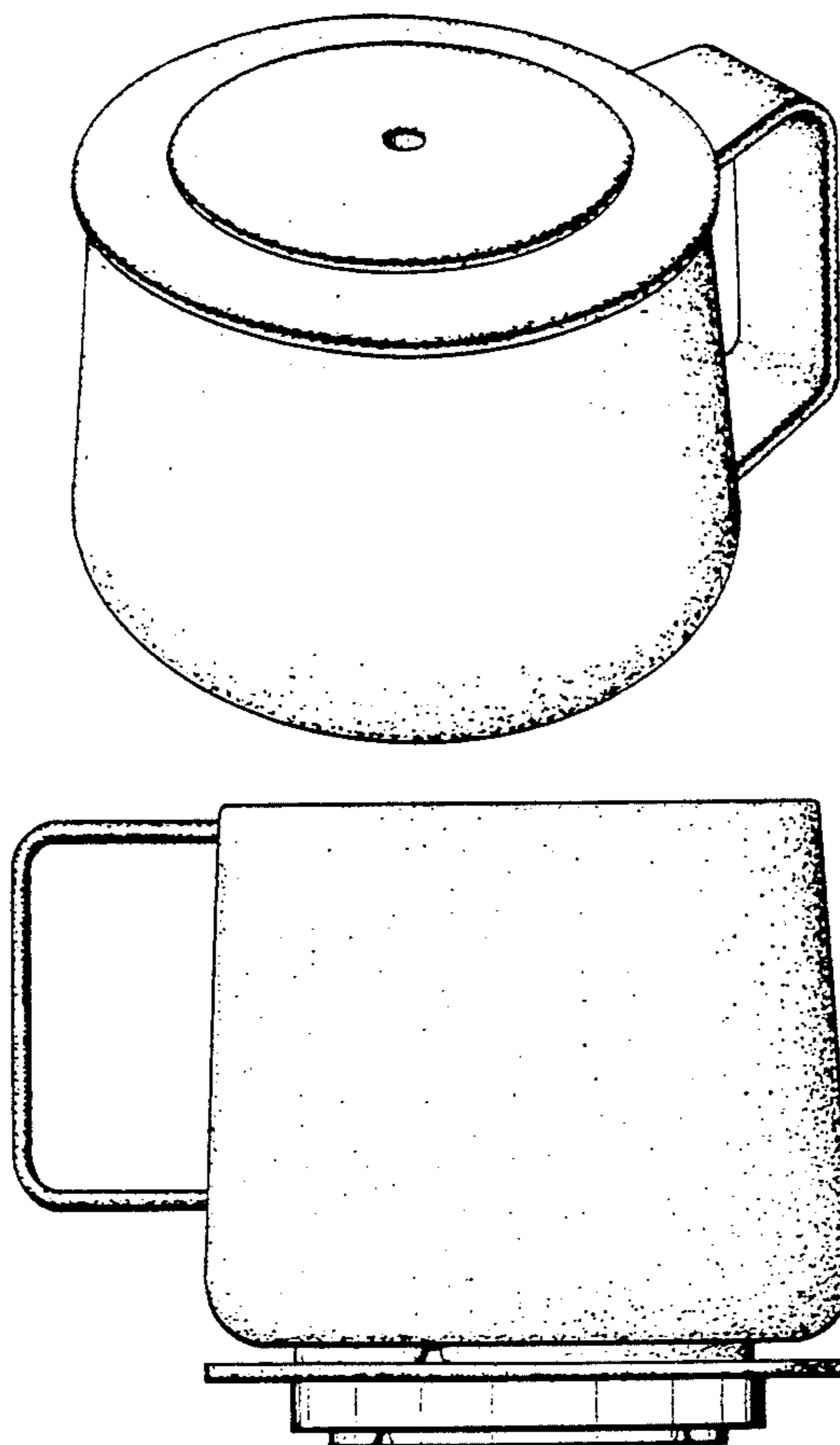


FIG. 1

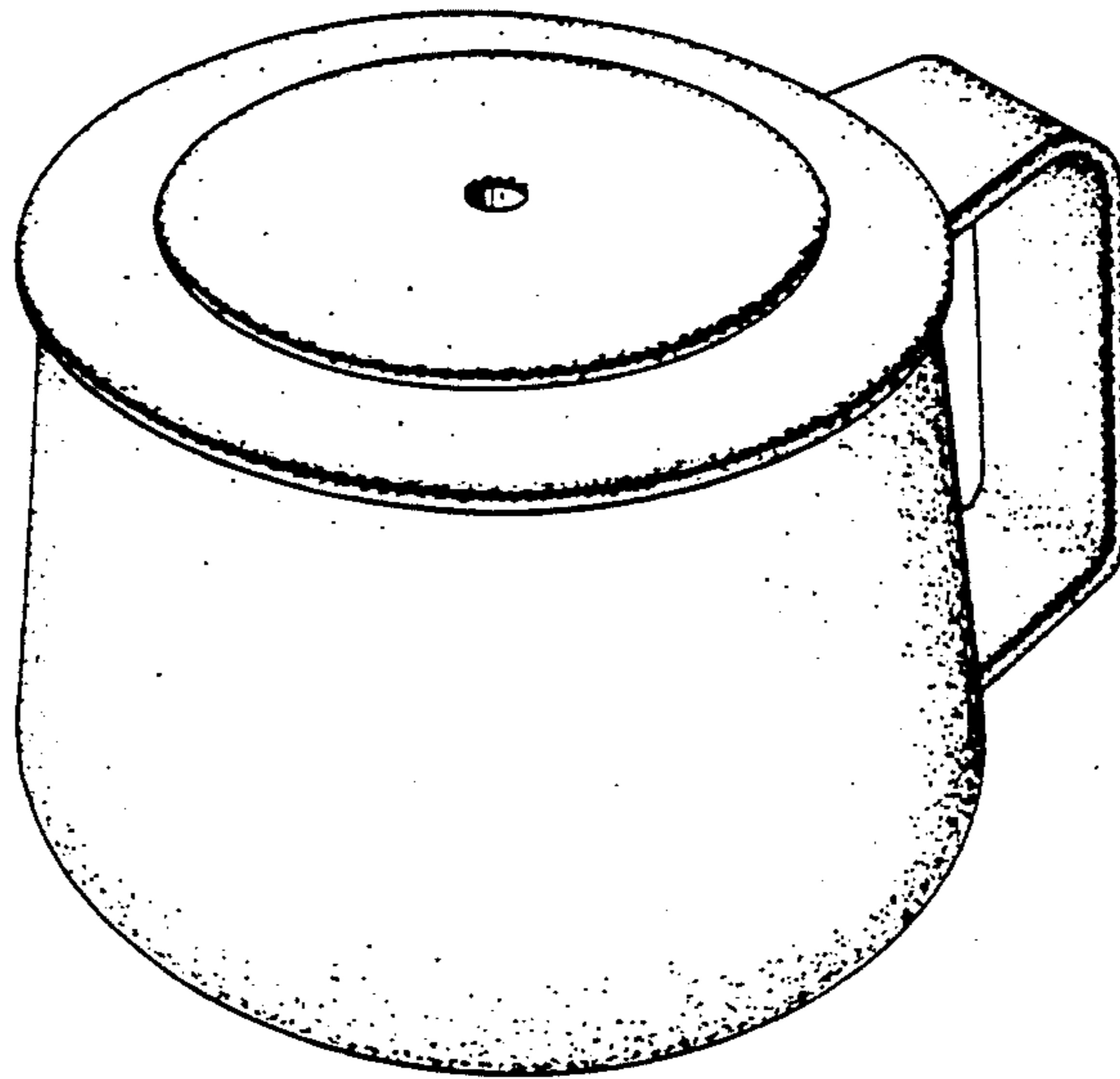


FIG. 2

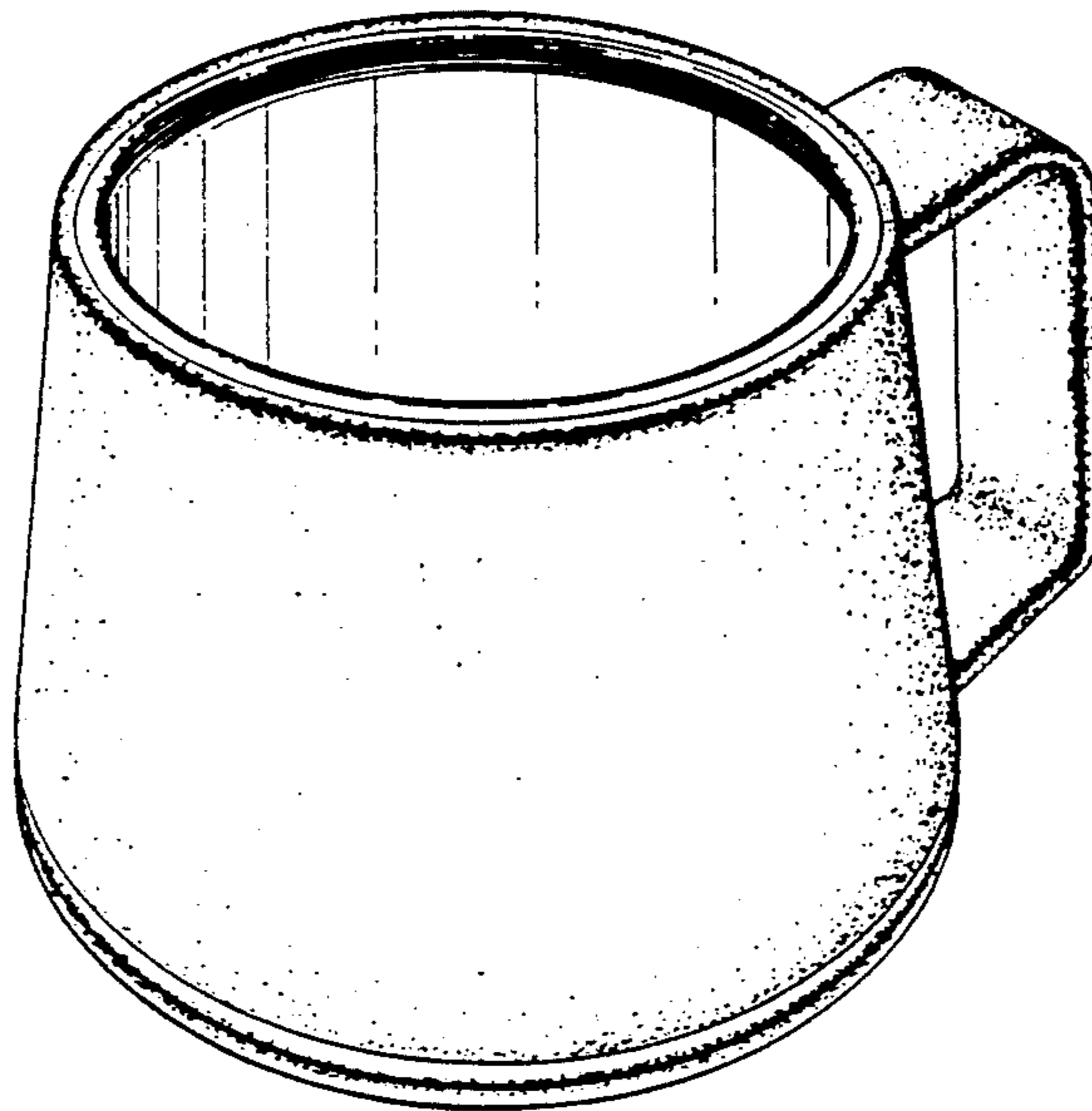


FIG. 3

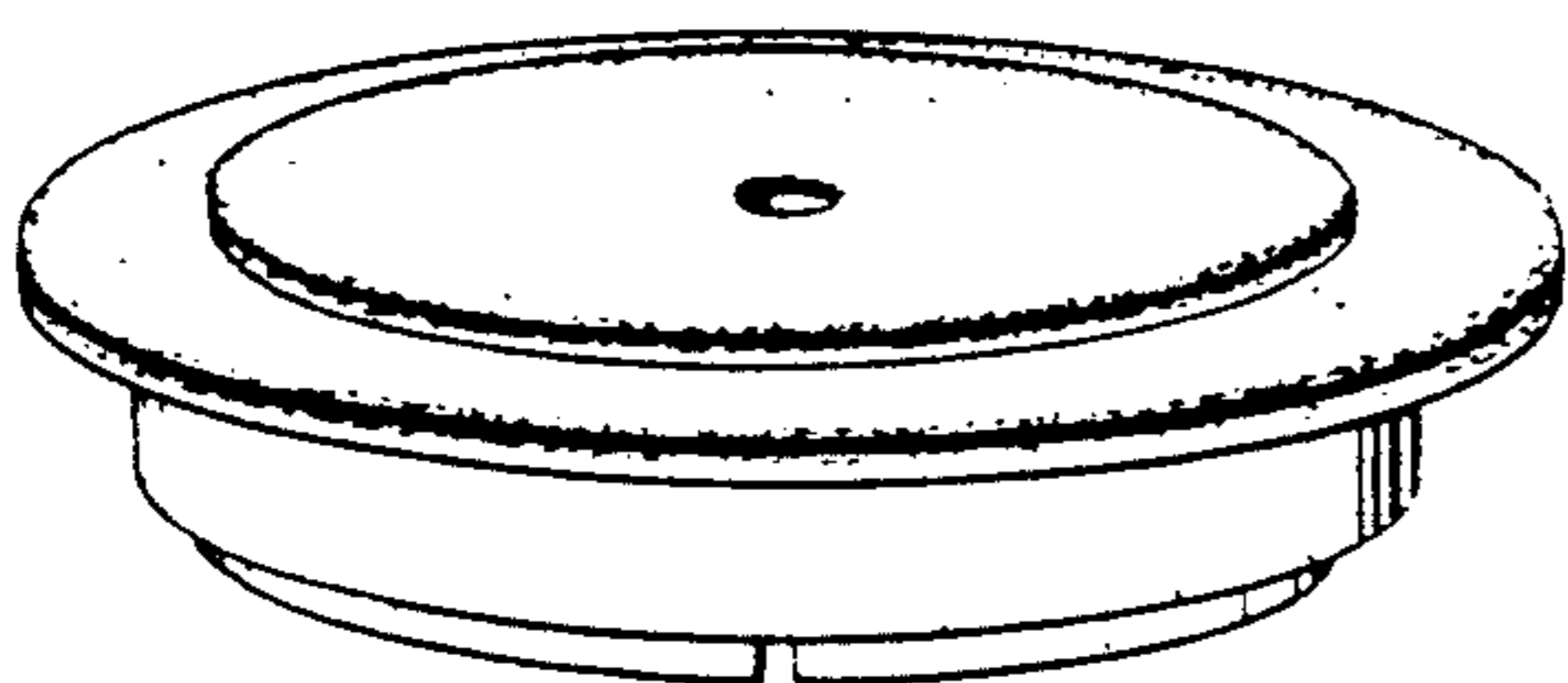


FIG. 4

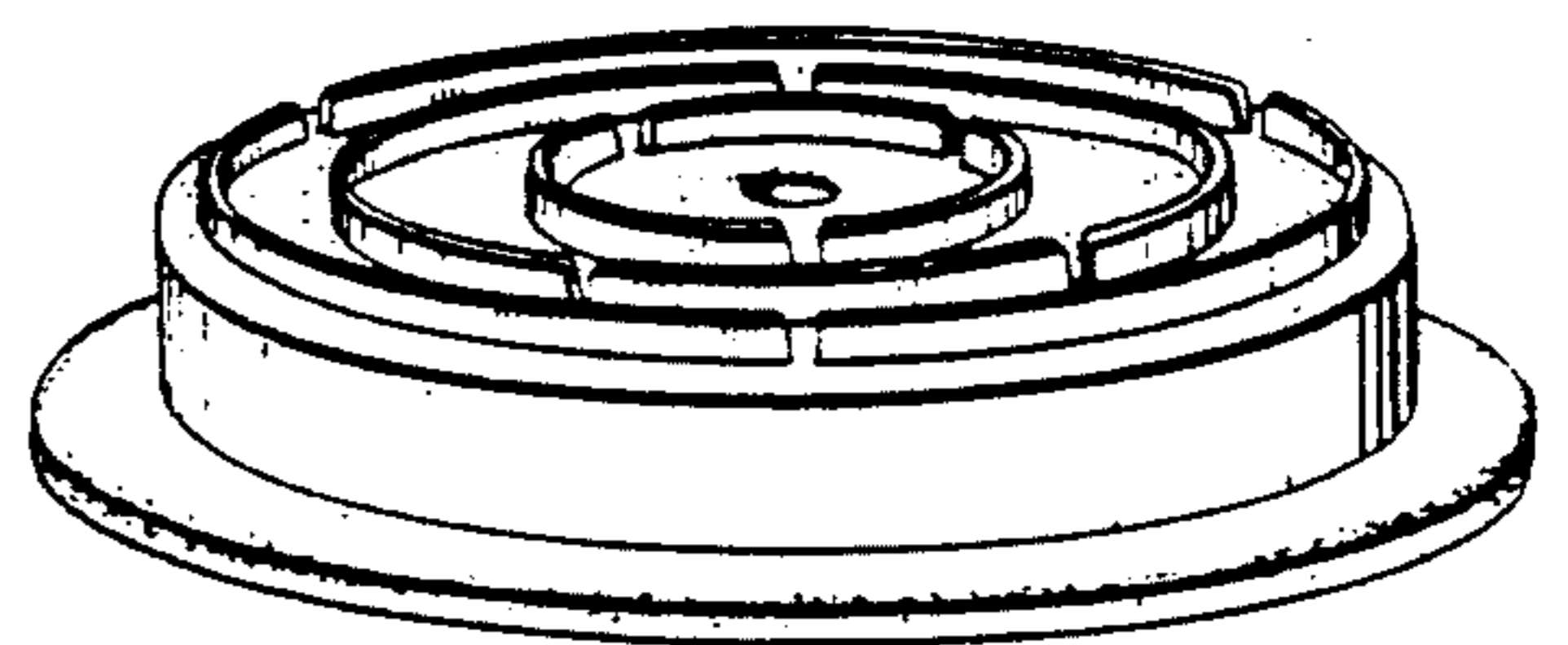


FIG. 5

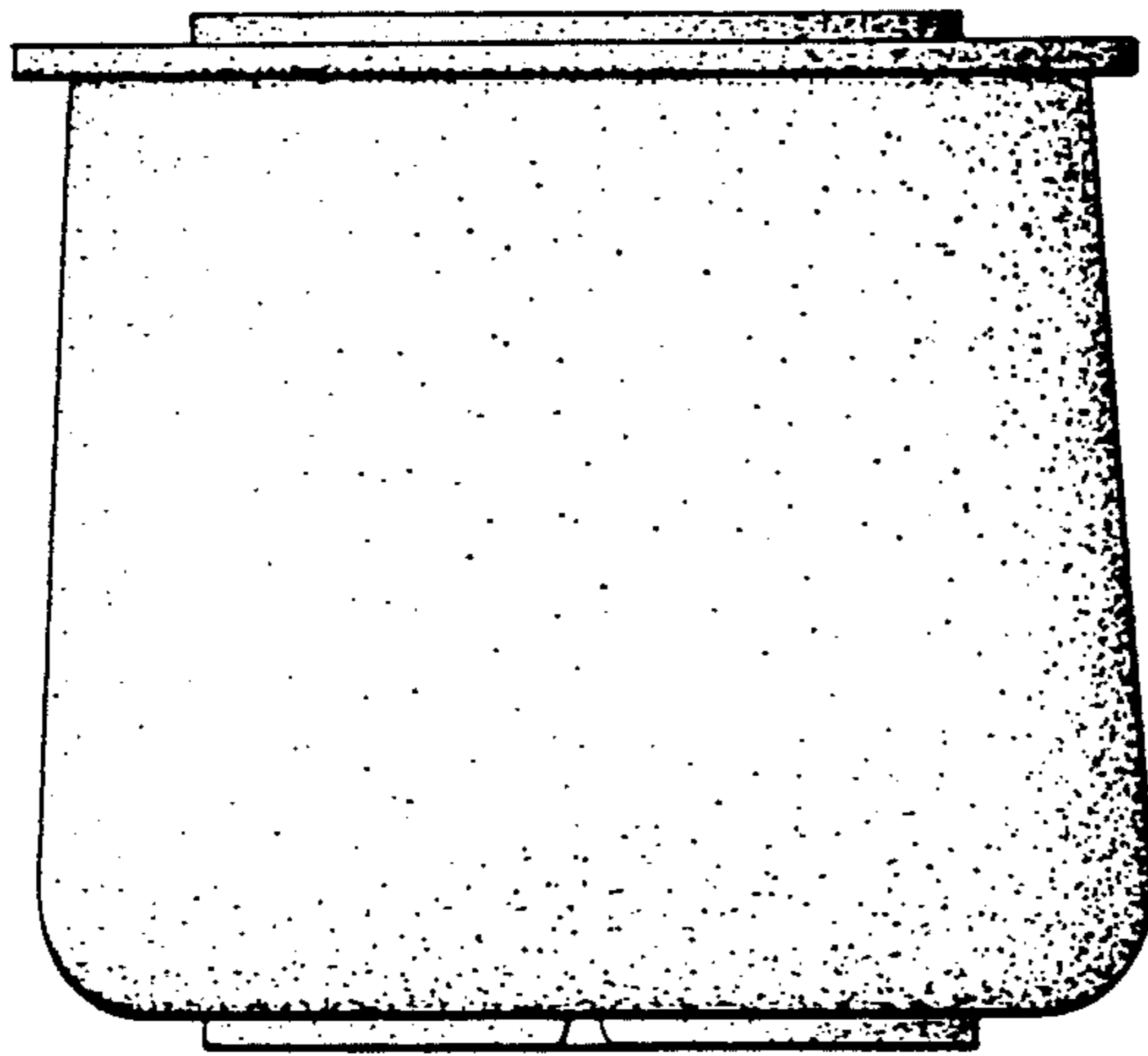


FIG. 6

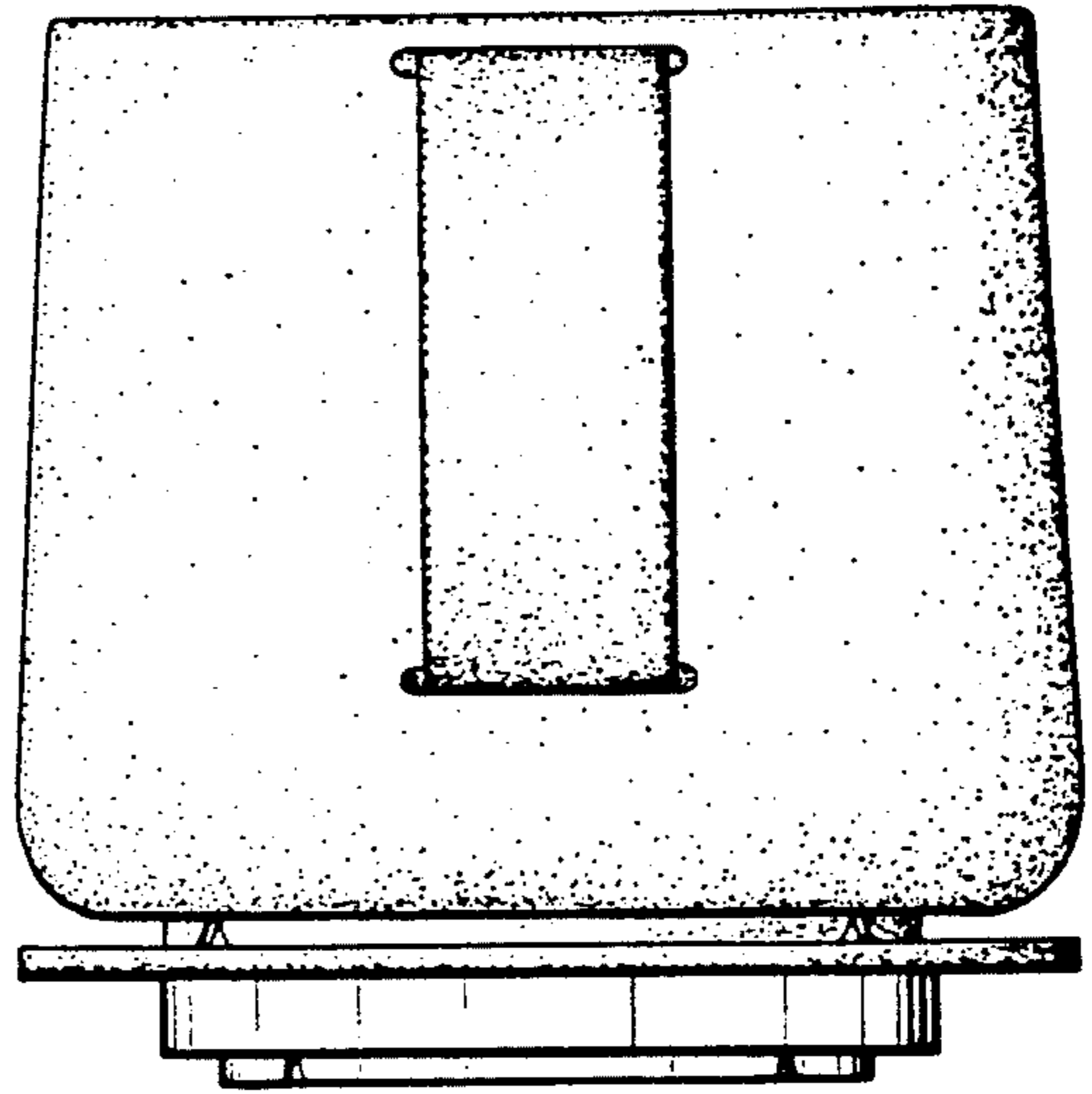


FIG. 7

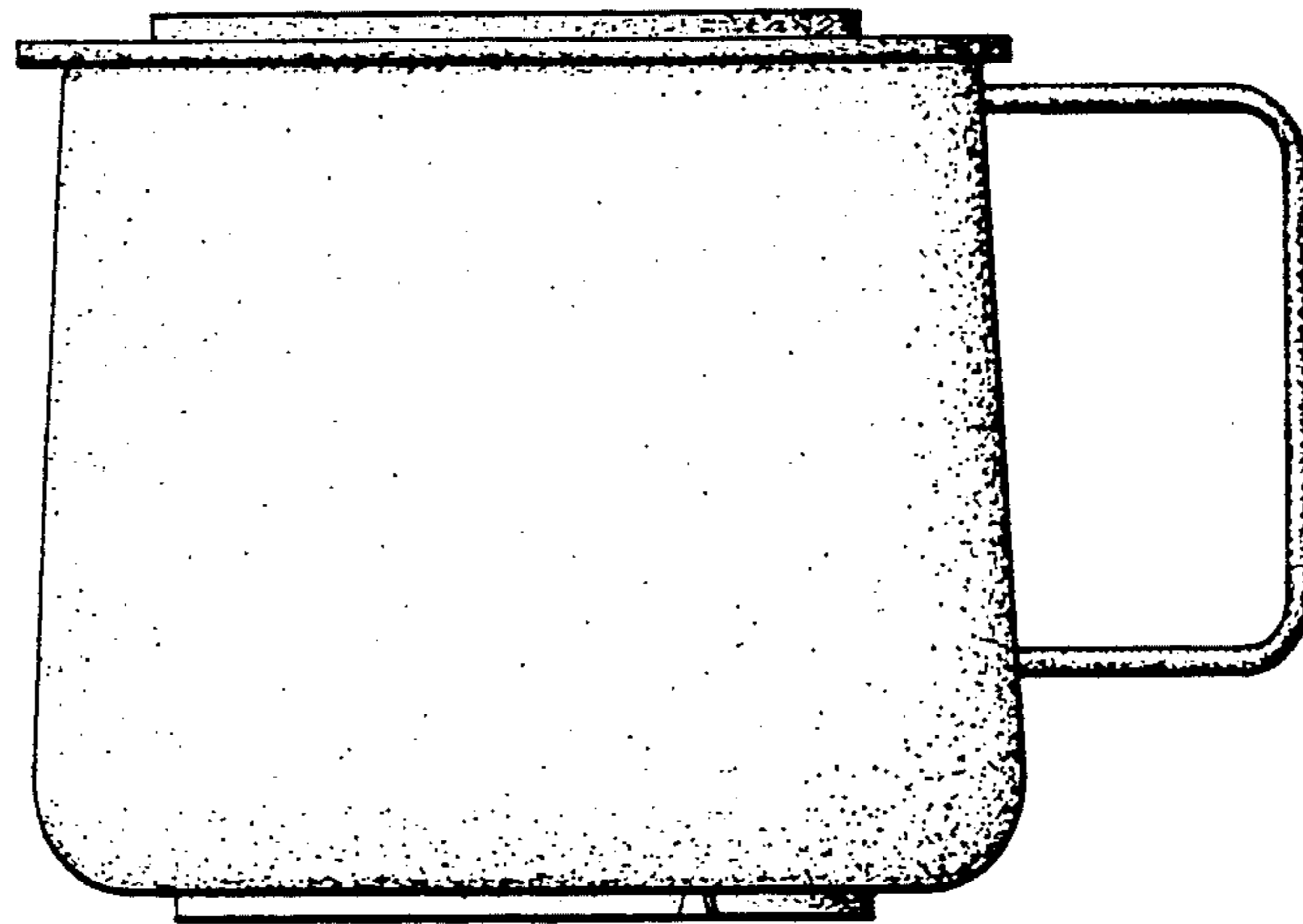


FIG. 8

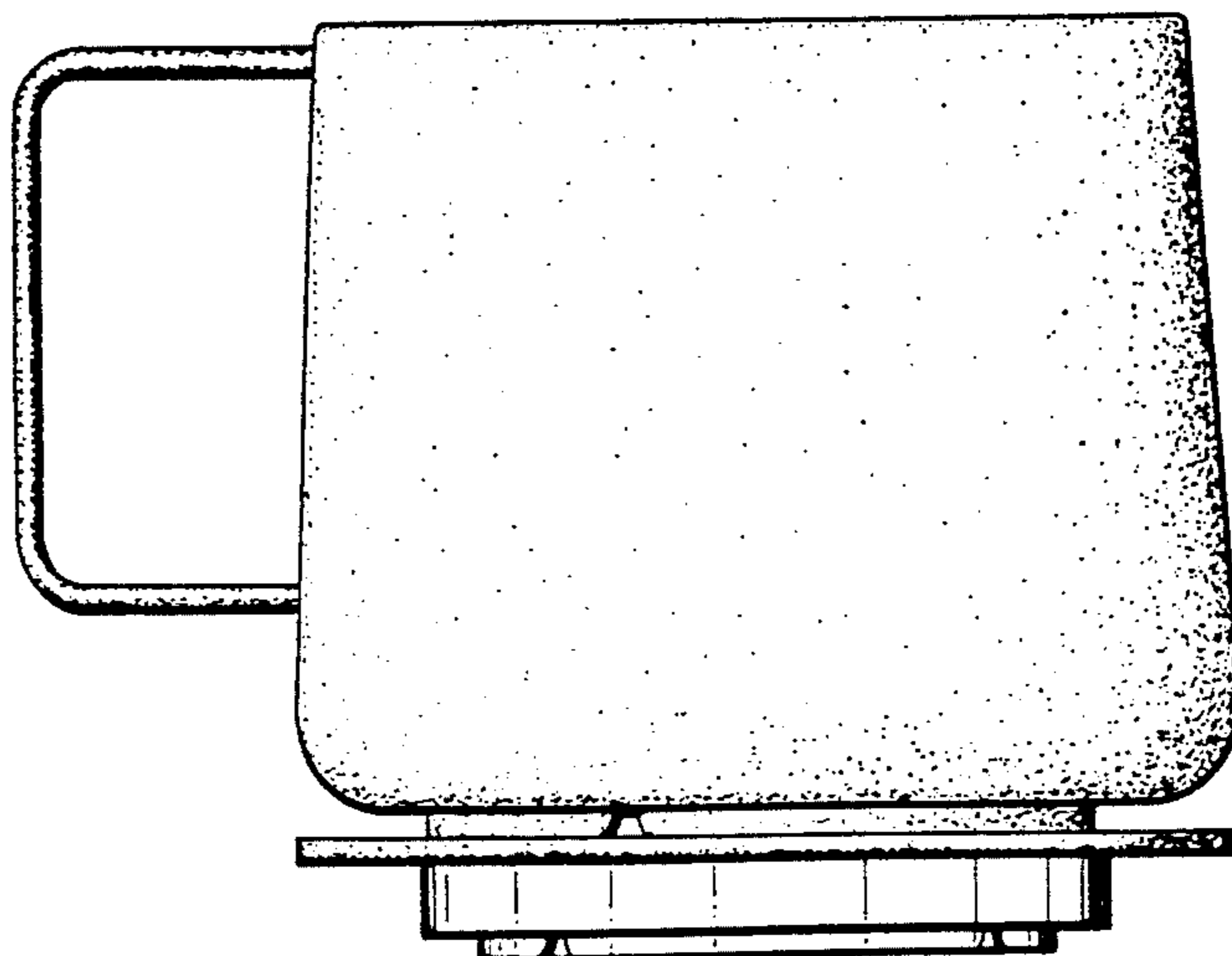


FIG. 9

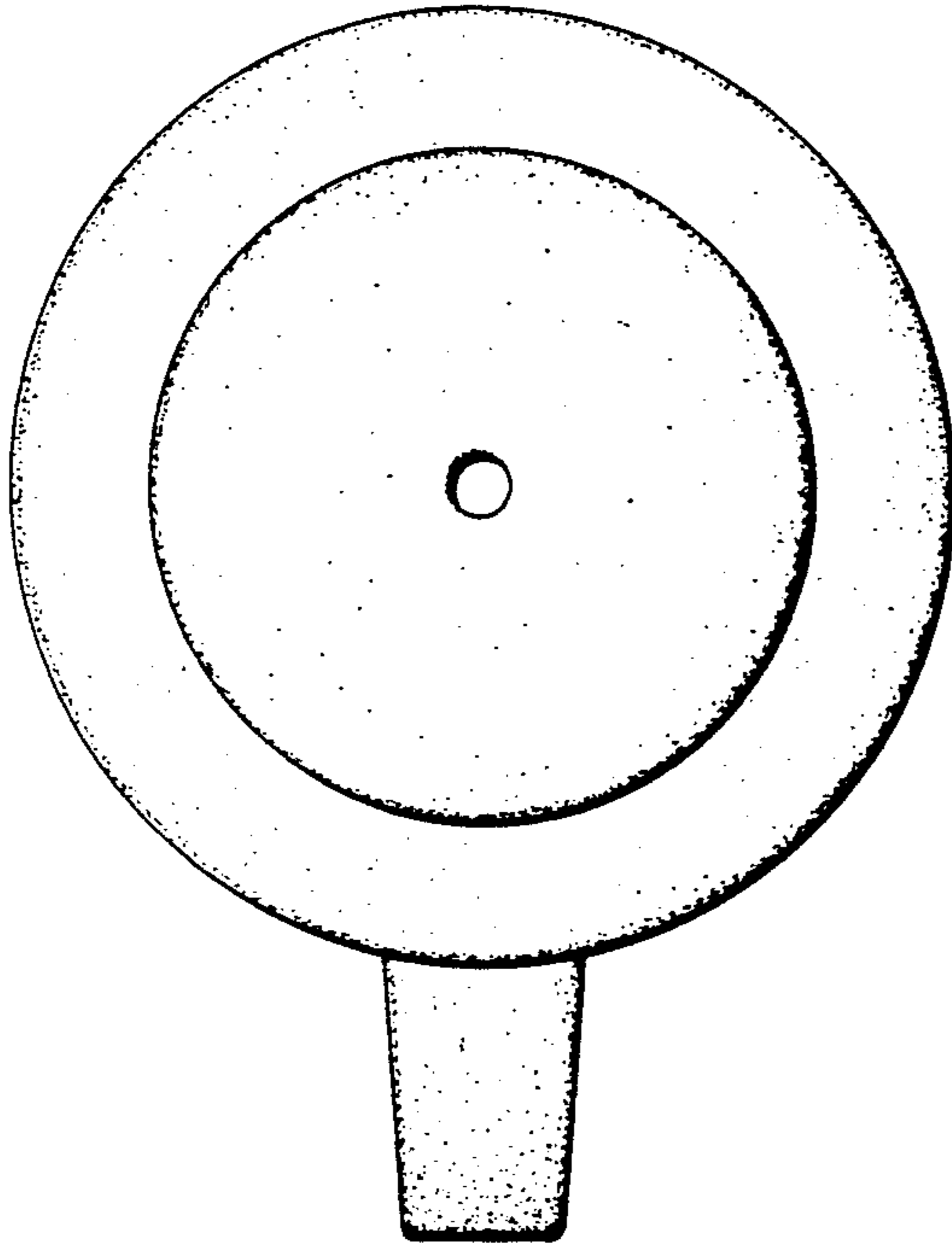


FIG. 10

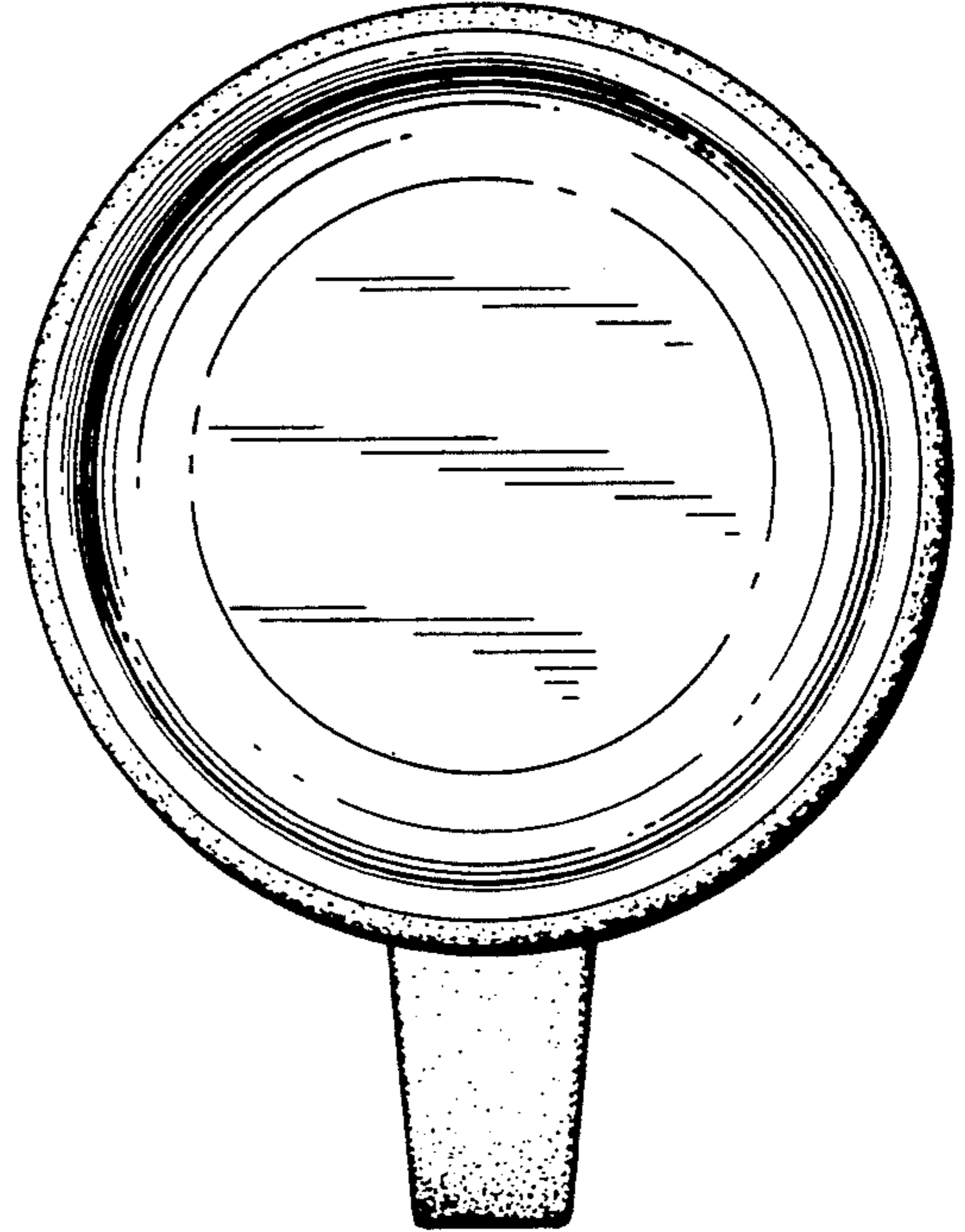


FIG. 11

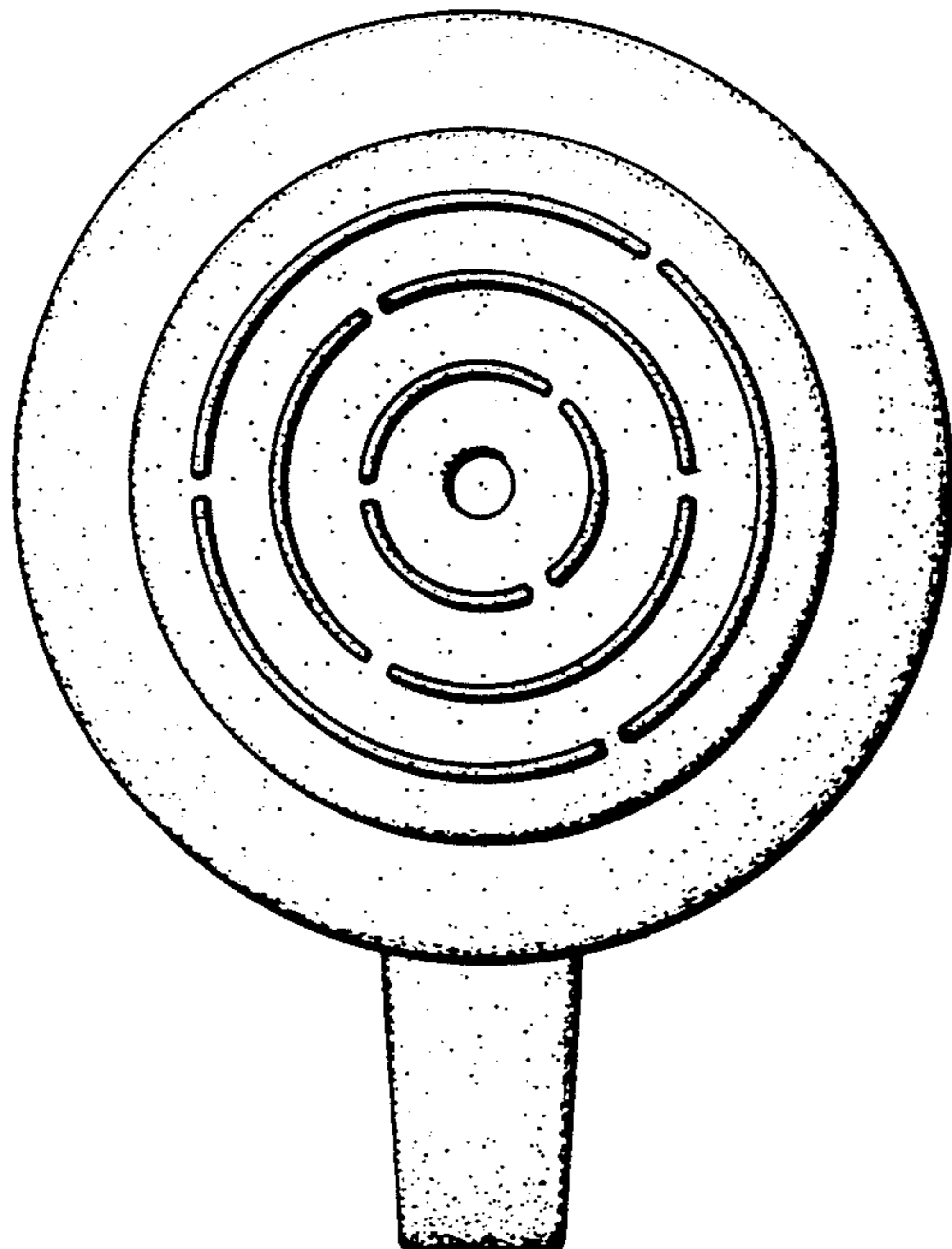


FIG. 12

