



US00D346090S

United States Patent [19]

[11] Patent Number: **Des. 346,090**

Sham et al.

[45] Date of Patent: **** Apr. 19, 1994**

[54] FOOD CHOPPER

[76] Inventors: **John C. K. Sham**, Rm. 1508, Block C, 19 Broadwood Rd., Hong Kong; **Yu S. Kwong**, Flat H, 13/G, Hoi Ming Mansions, Riviera Garden, Tsuen Wan, N. T., both of Hong Kong

[**] Term: **14 Years**

[21] Appl. No.: **714,047**

[22] Filed: **Jun. 12, 1991**

[52] U.S. Cl. **D7/381; D7/383; D7/384**

[58] Field of Search **D7/376, 379, 383, 384, D7/386, 412, 381; 241/37.5, 101.1, 199.12, 282.1, 282.2, 92, 93; 99/510**

[56] References Cited

U.S. PATENT DOCUMENTS

- D. 251,231 3/1979 Hashimoto D7/384
- D. 300,400 3/1989 Kelly et al. D7/384 X
- D. 316,207 4/1991 Gaber et al. D7/384

- 4,143,824 3/1979 Shiotani 241/282.1
- 4,921,174 5/1990 Okada et al. 241/37.5
- 4,921,175 5/1990 Okada et al. 241/37.5
- 5,033,552 7/1991 Hu 241/37.5 X

Primary Examiner—Alan P. Douglas
Assistant Examiner—Caron D. Veynar
Attorney, Agent, or Firm—Dilworth & Barrese

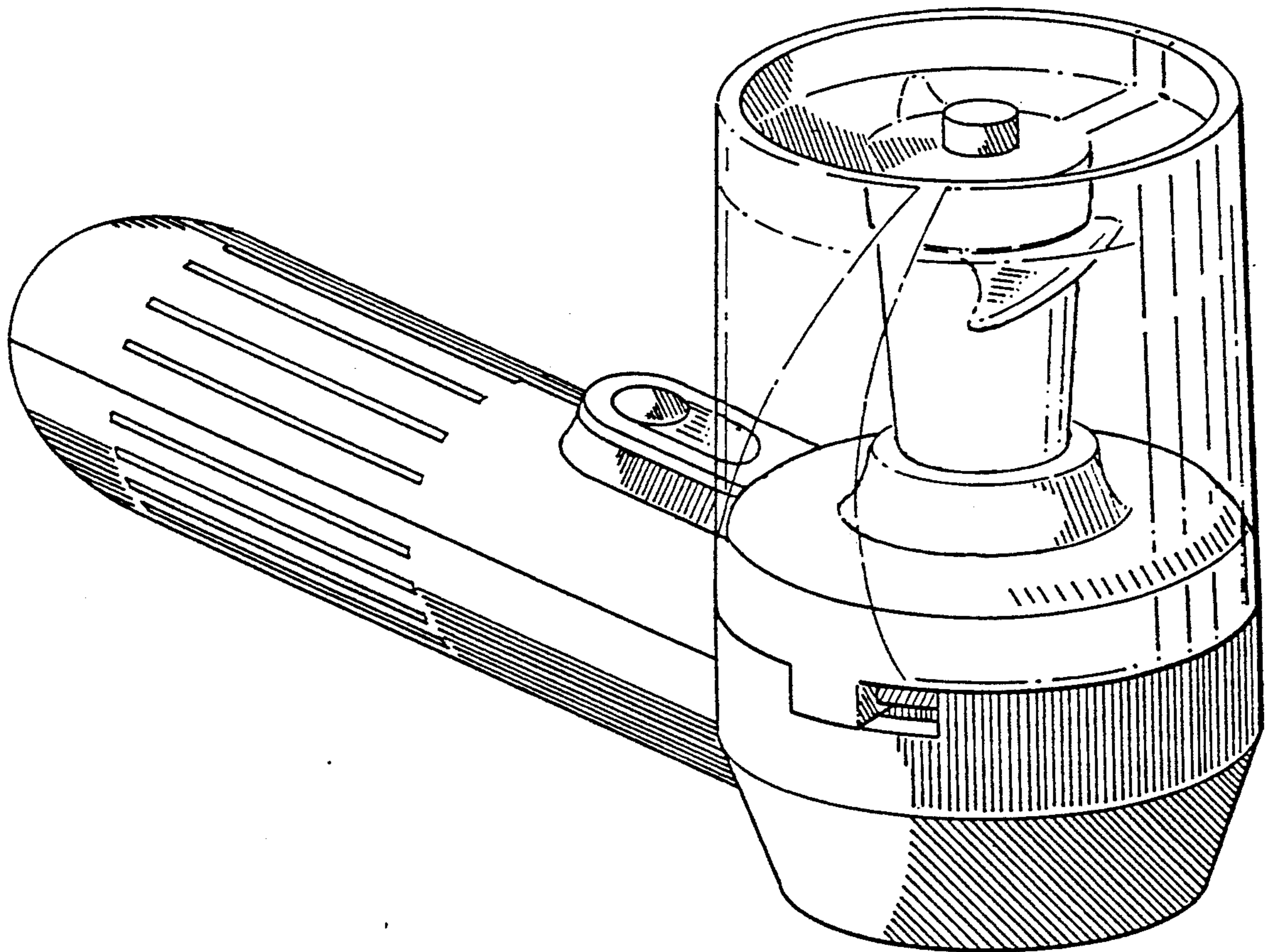
[57] CLAIM

The ornamental design for a food chopper, as shown and described.

DESCRIPTION

FIG. 1 illustrates a top, front and side perspective view of our new design for a food chopper; FIG. 2 illustrates a top plan view thereof; FIG. 3 illustrates a right side elevational view thereof; FIG. 4 illustrates a front elevational view thereof; FIG. 5 illustrates a rear elevational view thereof; and, FIG. 6 illustrates a bottom plan view thereof.

The broken line showing a processor blade in FIGS. 1-5 is environmental only and forms no part of the claimed design.



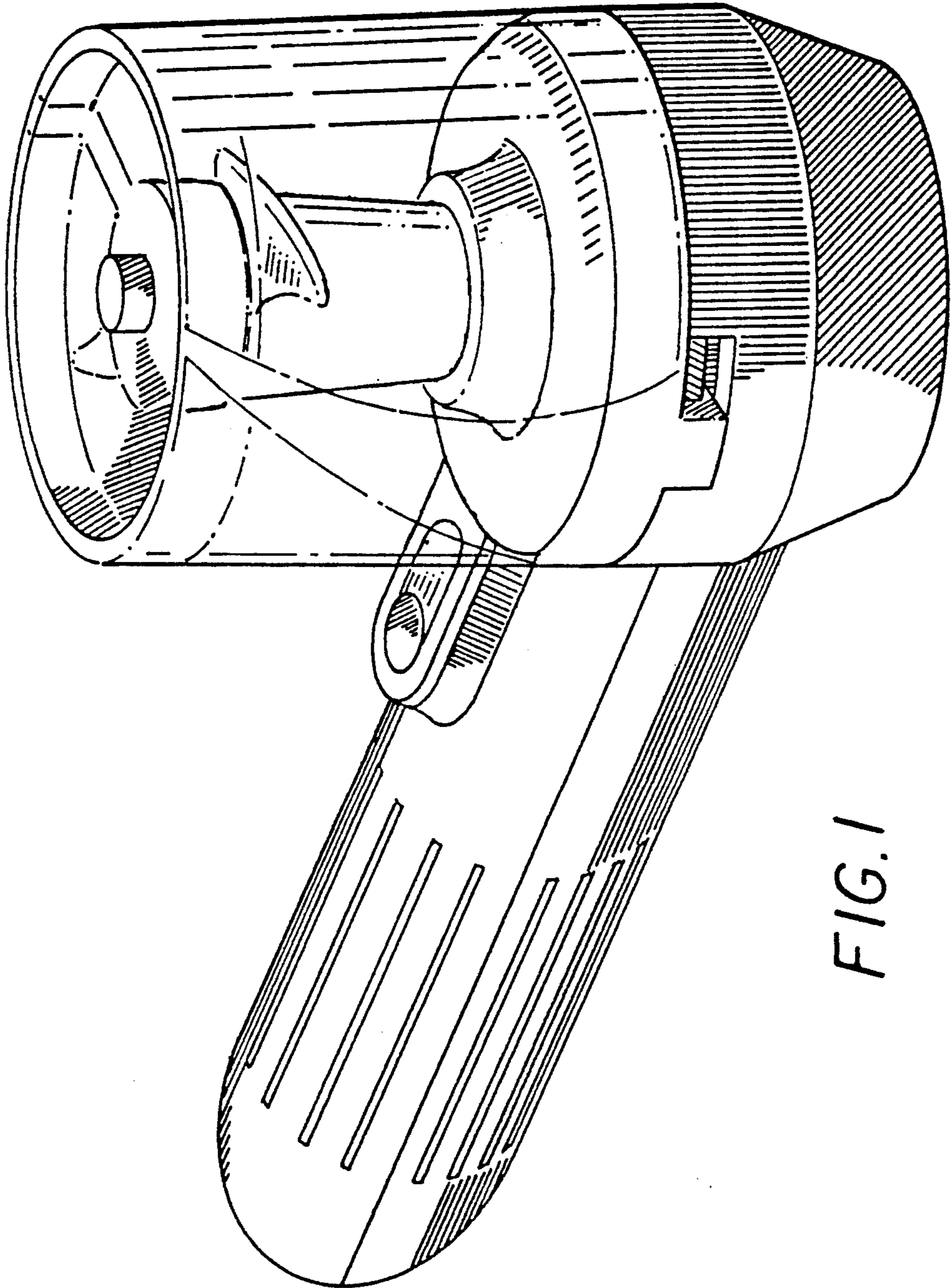


FIG. 1

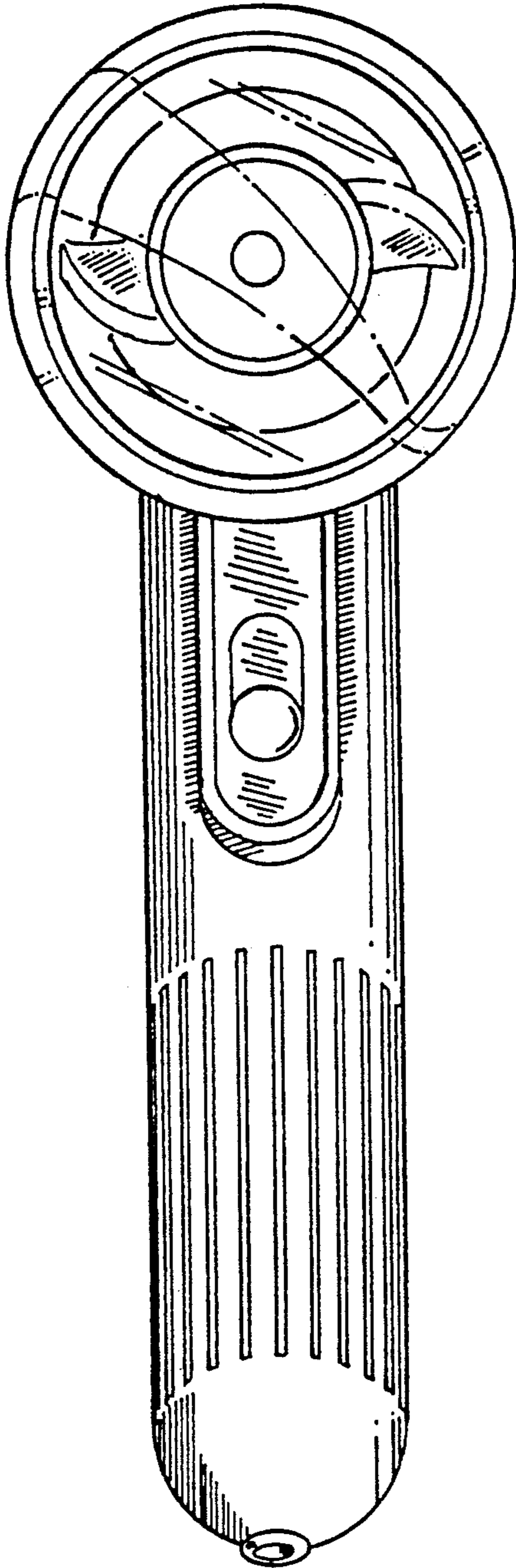


FIG. 2

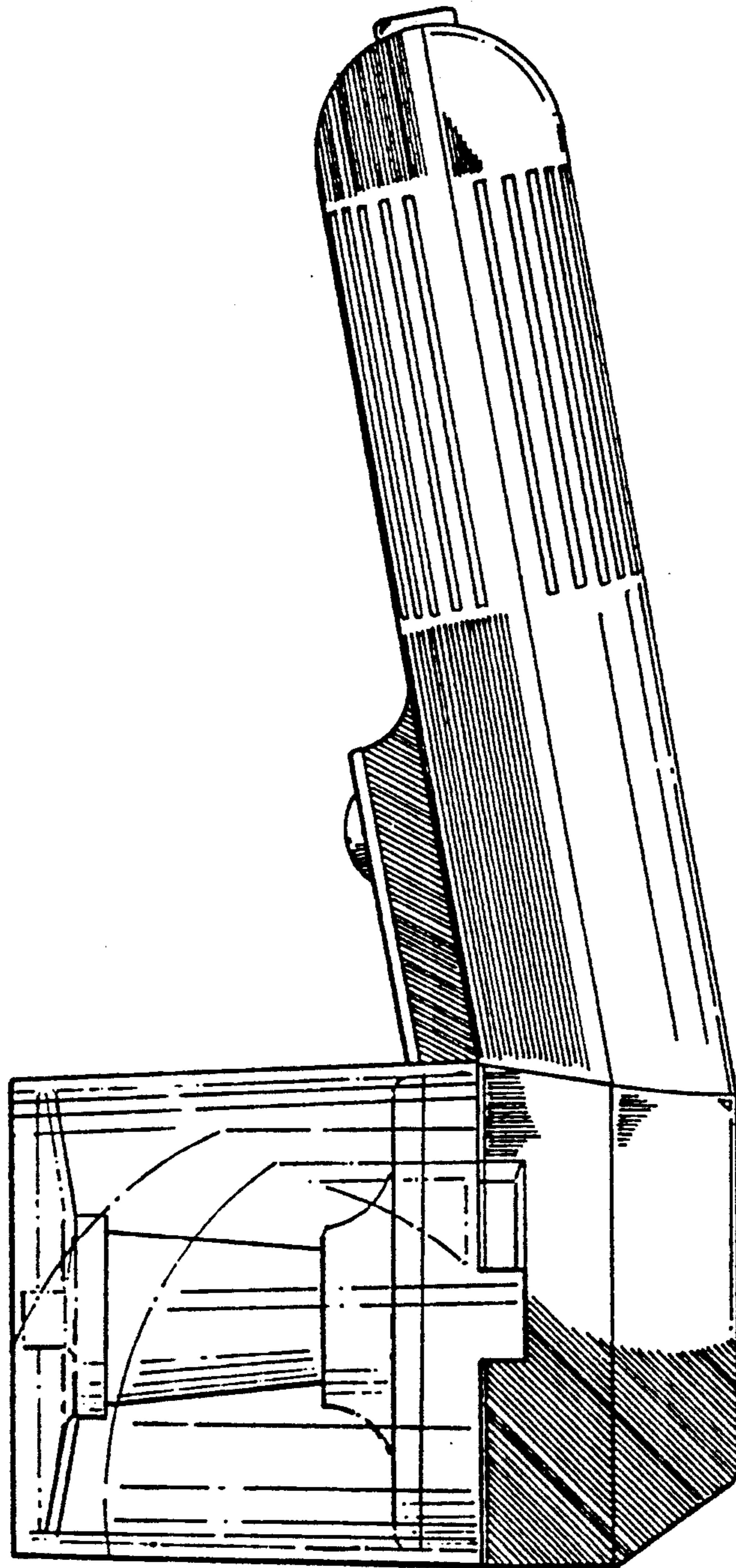


FIG. 3

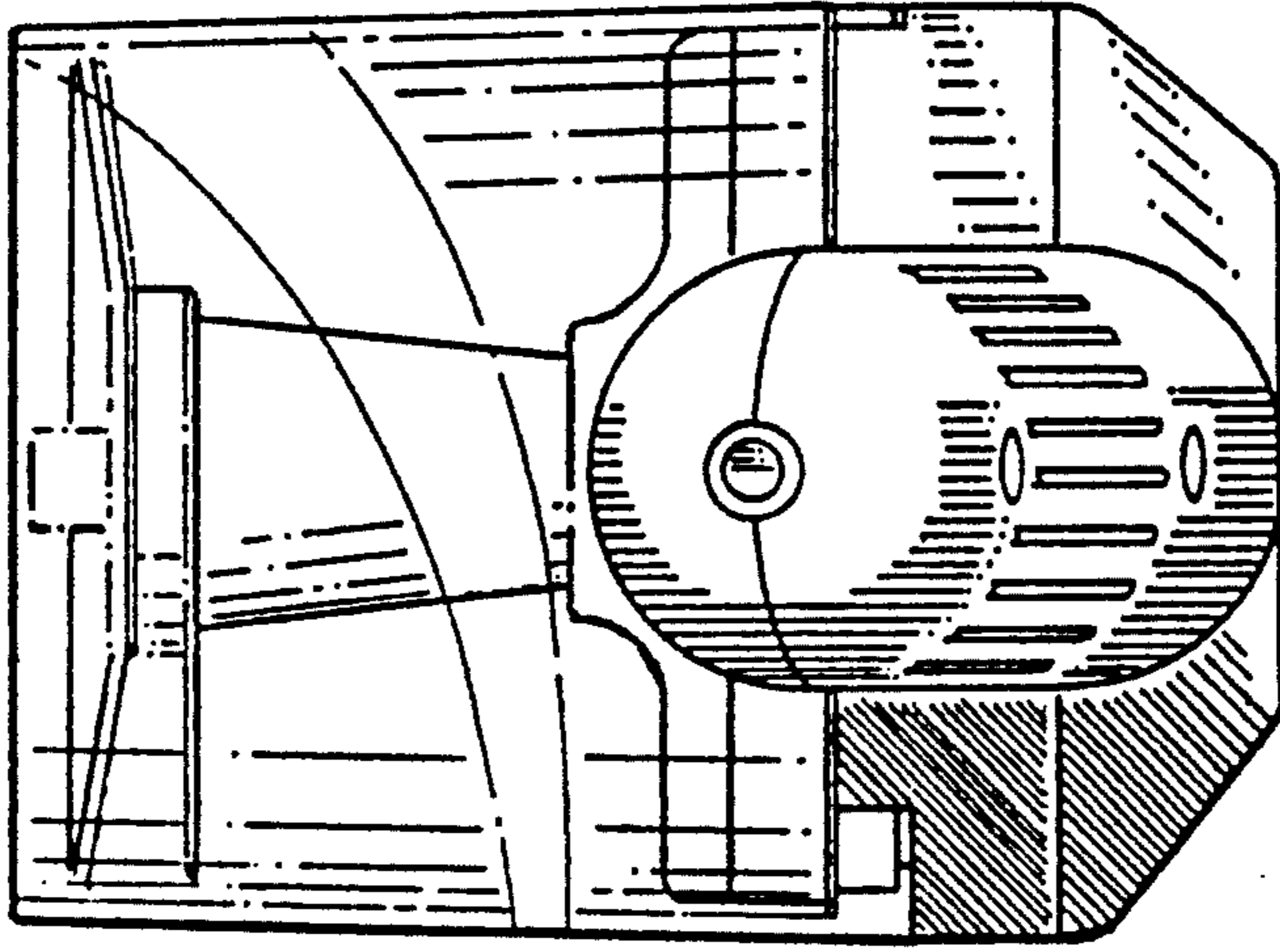


FIG. 5

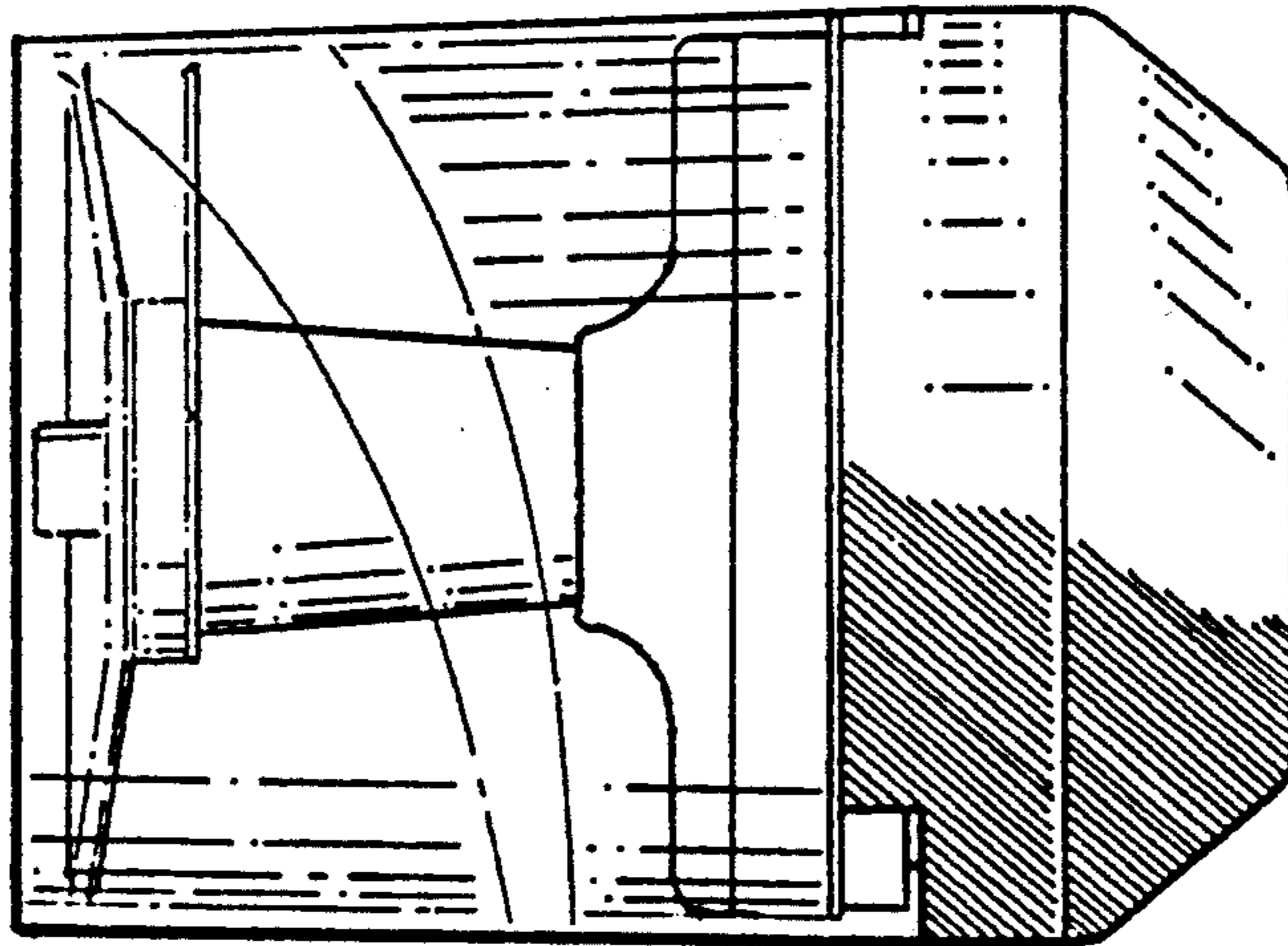


FIG. 4

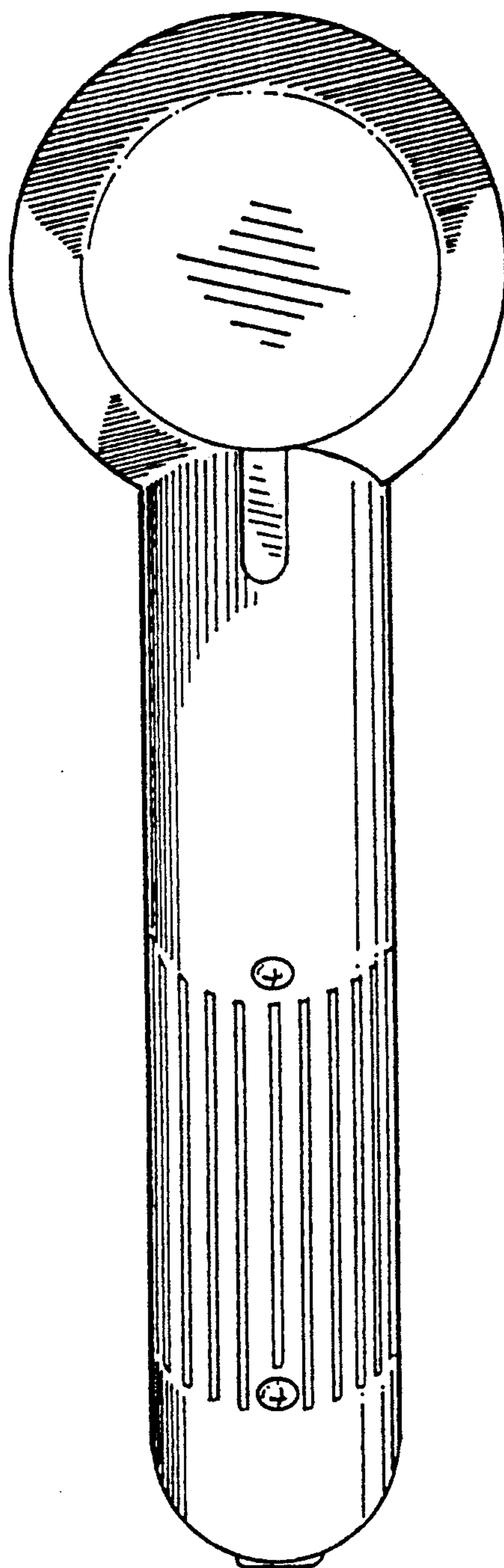


FIG. 6