



US00D346082S

United States Patent [19]
Ward

[11] **Patent Number: Des. 346,082**

[45] **Date of Patent: ** Apr. 19, 1994**

[54] **TABLE**

[75] **Inventor: Marshall B. Ward, High Point, N.C.**

[73] **Assignee: Cal-Style Furniture Mfg. Co.,
Compton, Calif.**

[**] **Term: 14 Years**

[21] **Appl. No.: 1,625**

[22] **Filed: Nov. 18, 1992**

[52] **U.S. Cl. D6/484**

[58] **Field of Search D6/480-489,
D6/495, 497, 429, 422; 108/153, 156, 161**

[56] **References Cited**

U.S. PATENT DOCUMENTS

- D. 224,194 7/1972 Logan D6/484 X
- D. 263,910 4/1982 Robertson et al. D6/480
- D. 293,181 12/1987 Solaro D6/484

OTHER PUBLICATIONS

Bloomington, p. 9, Table at bottom of page.
Ethan Allen, p. 199, table No. 6 at right center.
Thomasville, p. 4, table at top.
Drexel, Et Cetera, 1986, p. 49, table at top.

Primary Examiner—Nelson C. Holtje
Assistant Examiner—J. E. Seeger
Attorney, Agent, or Firm—Edgar A. Zarins; Malcolm L. Sutherland

[57] **CLAIM**

The ornamental design for a table, as shown and described.

DESCRIPTION

FIG. 1 is a perspective view of a table showing my new design;
FIG. 2 is an end view thereof;
FIG. 3 is a top plan view thereof; and,
FIG. 4 is a side view thereof.



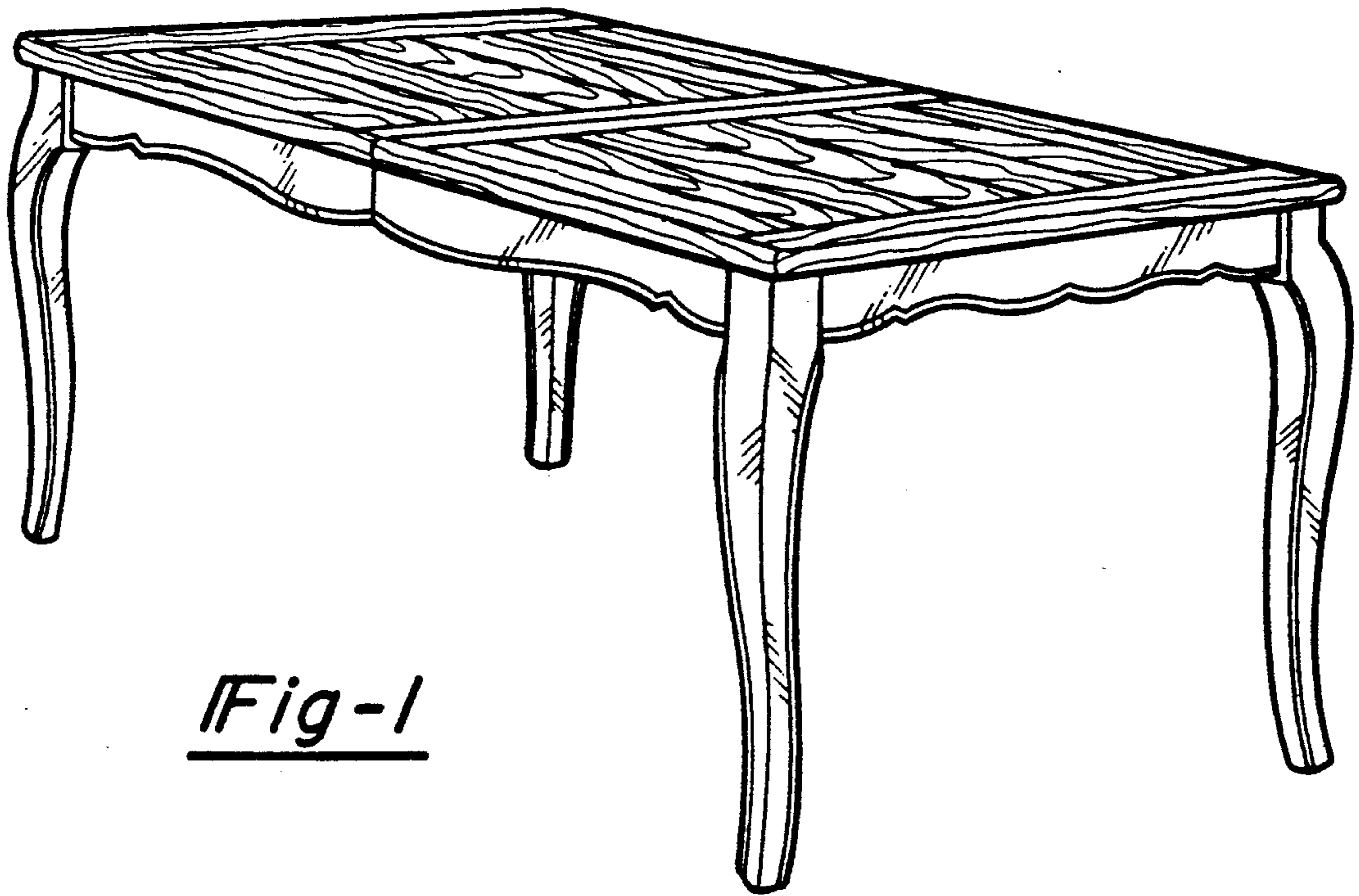


Fig-1

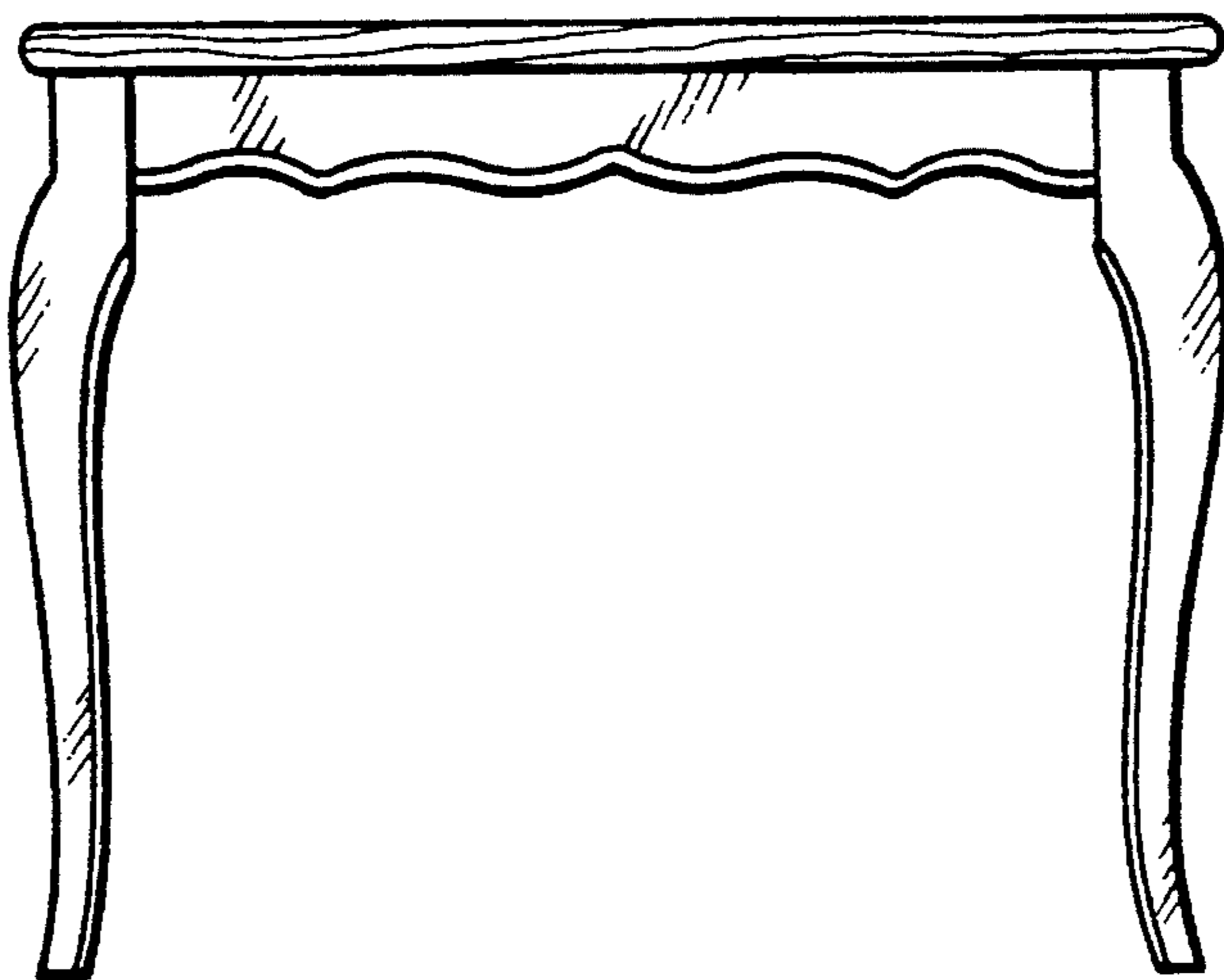


Fig-2

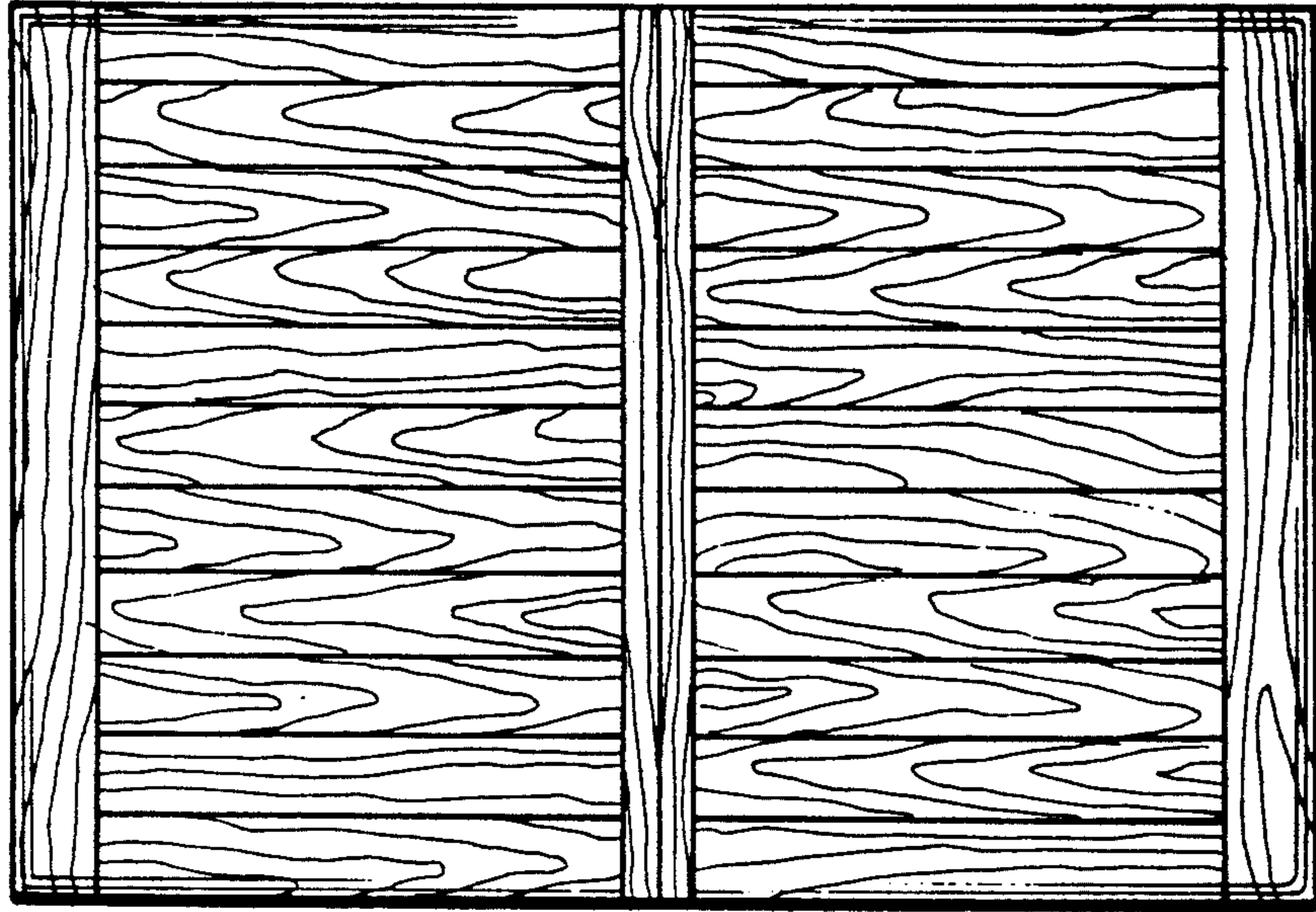


Fig-3

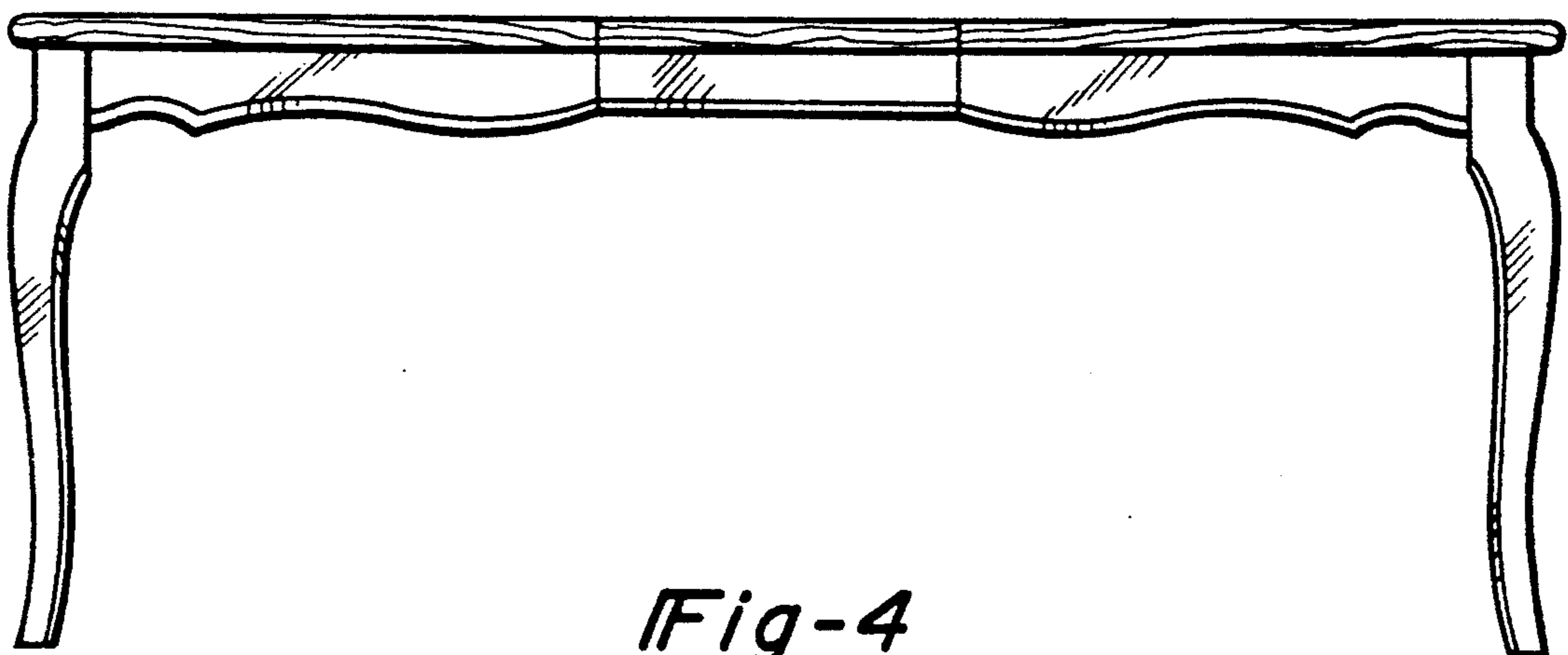


Fig-4