



US00D346080S

United States Patent [19]

[11] Patent Number: **Des. 346,080**

Weis

[45] Date of Patent: **** Apr. 19, 1994**

[54] PATIO TABLE

[76] Inventor: **Jeffrey A. Weis**, 222 Hemlock Dr., McMurray, Pa. 15317

[**] Term: **14 Years**

[21] Appl. No.: **277**

[22] Filed: **Oct. 9, 1992**

[52] U.S. Cl. **D6/452; D6/486; D6/488**

[58] Field of Search **D6/480, 482-489, D6/495, 497, 429, 451-453; 108/150, 153, 156, 161**

[56] References Cited

U.S. PATENT DOCUMENTS

D. 72,342	4/1927	Bach	D6/452
D. 78,977	7/1929	Kehoe	D6/495
D. 185,305	5/1959	Molla	D6/486
D. 194,467	1/1963	Slosberg	D6/486

OTHER PUBLICATIONS

Interior Design Market, Sep. 1990, p. 29, table.

Primary Examiner—Nelson C. Holtje

Assistant Examiner—J. E. Seeger

Attorney, Agent, or Firm—Arnold B. Silverman

[57] CLAIM

The ornamental design for patio table, as shown and described.

DESCRIPTION

FIG. 1 is a perspective view of the patio table of the present invention;

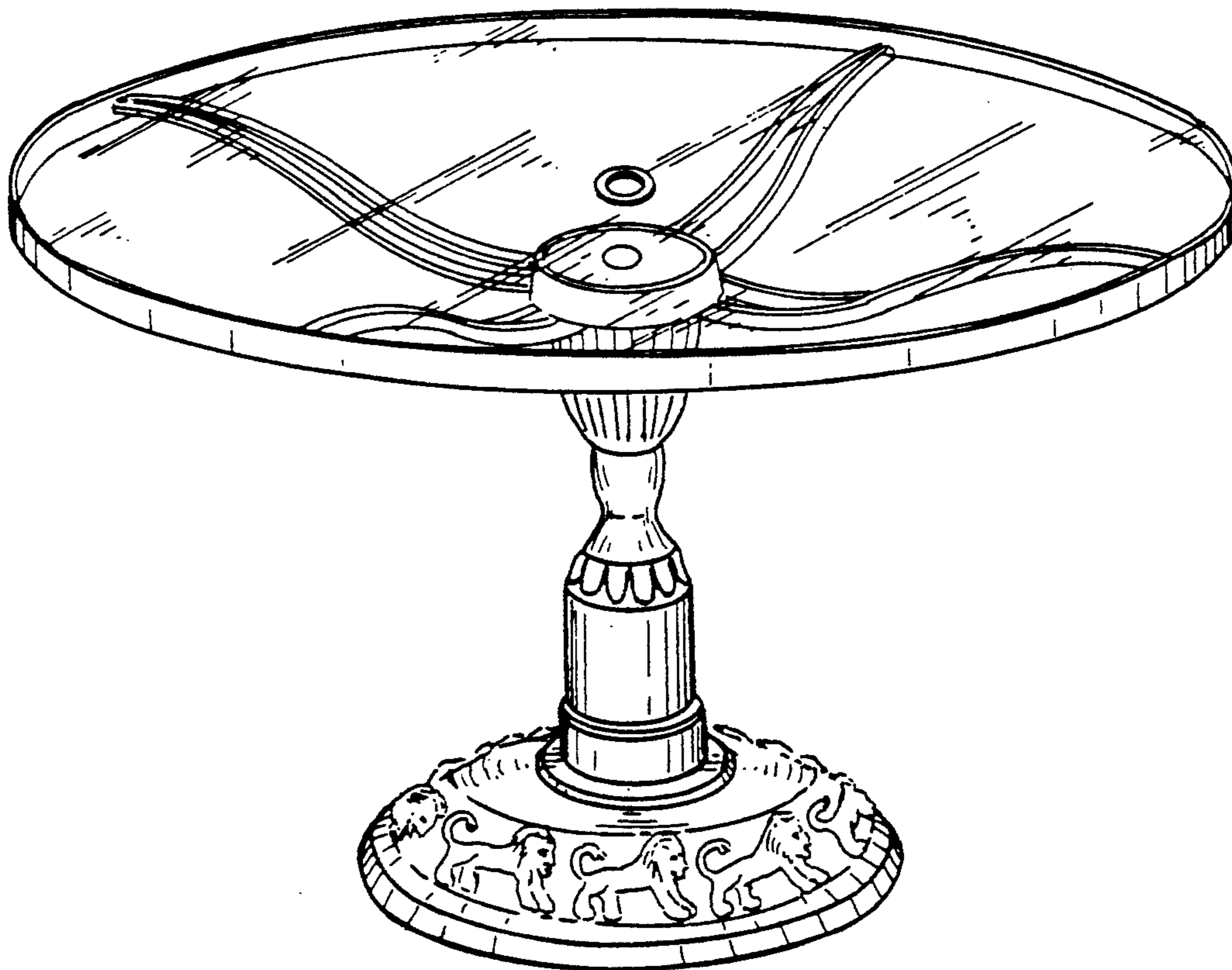
FIG. 2 is a top plan view of the patio table of FIG. 1;

FIG. 3 is a bottom plan view of the patio table of FIG. 1;

FIG. 4 is an elevational view of the patio table of FIG. 1; and,

FIG. 5 is a cross-sectional illustration of the patio table taken through 5—5 of FIG. 4.

The characteristic feature of the design resides in the ornamentation on the upper surface of the table pedestal base.



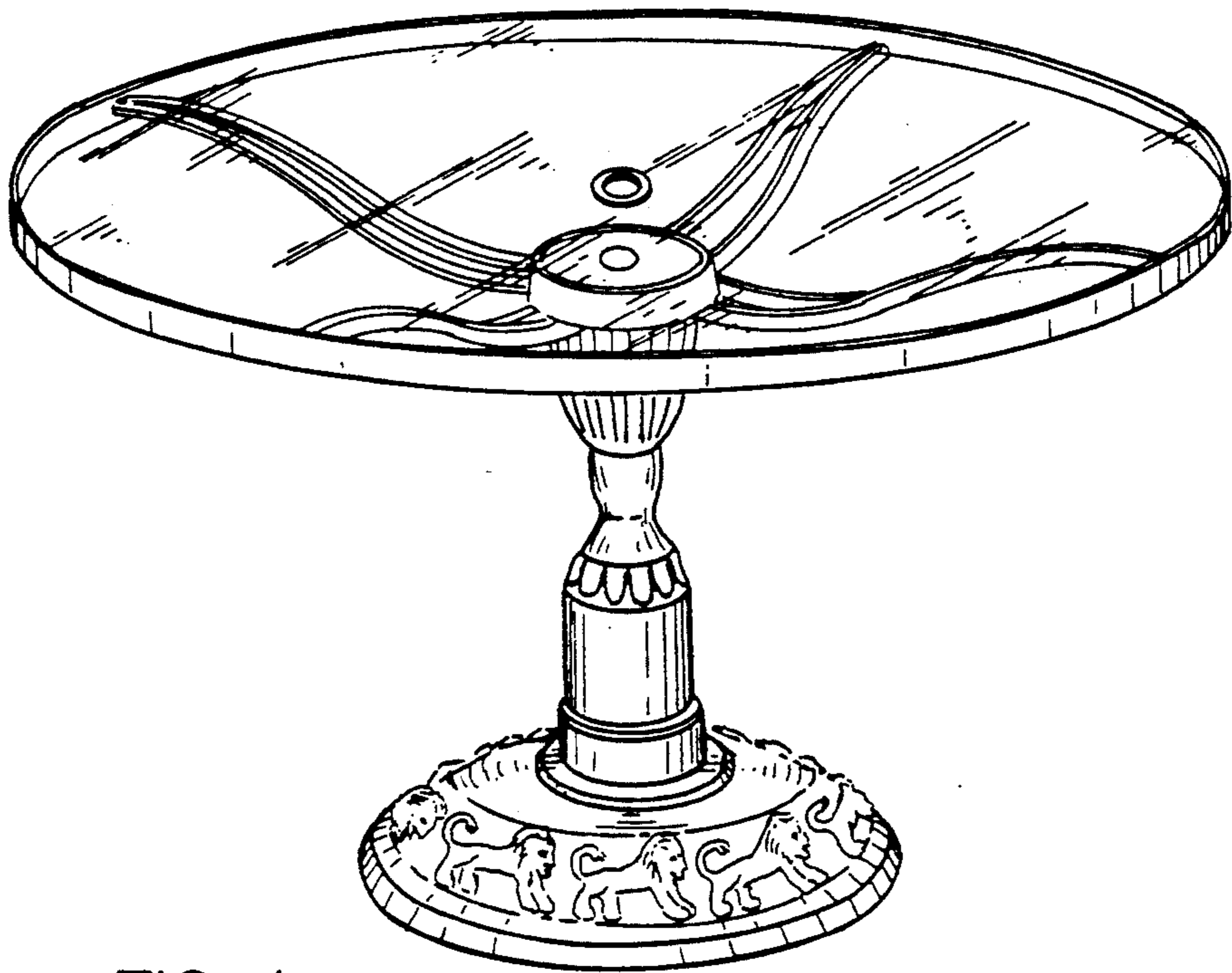


FIG. 1

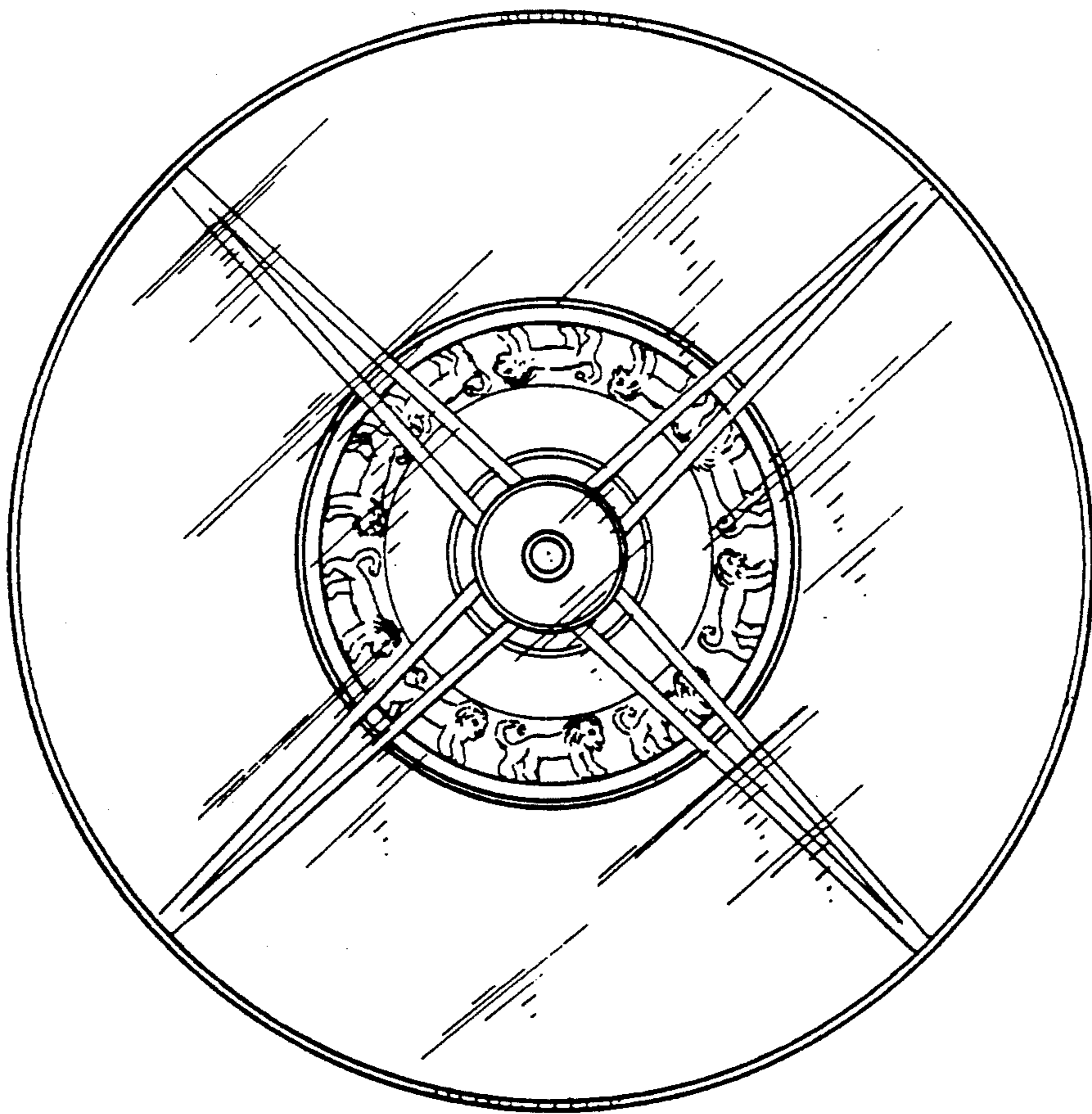


FIG. 2

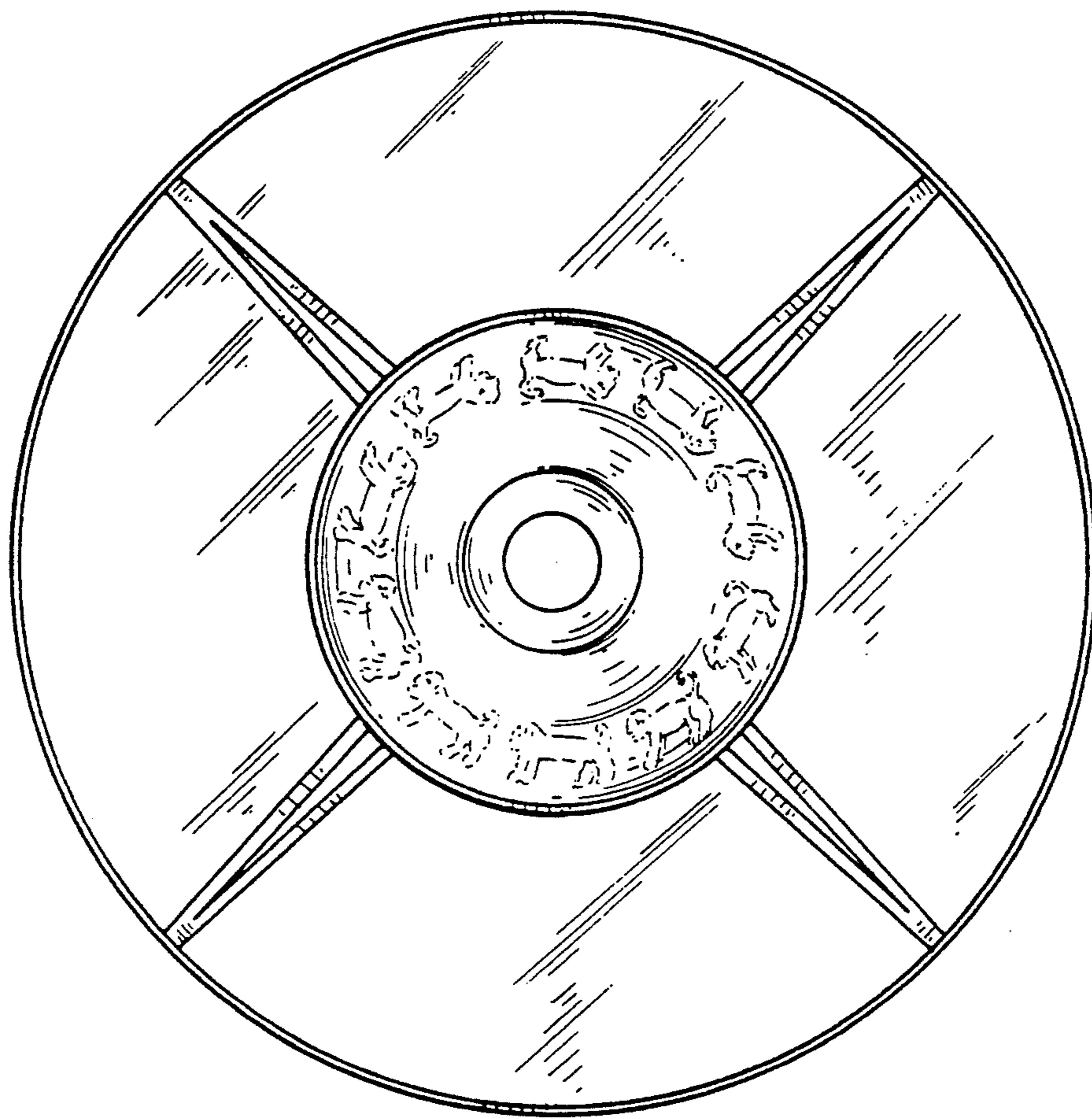


FIG. 3

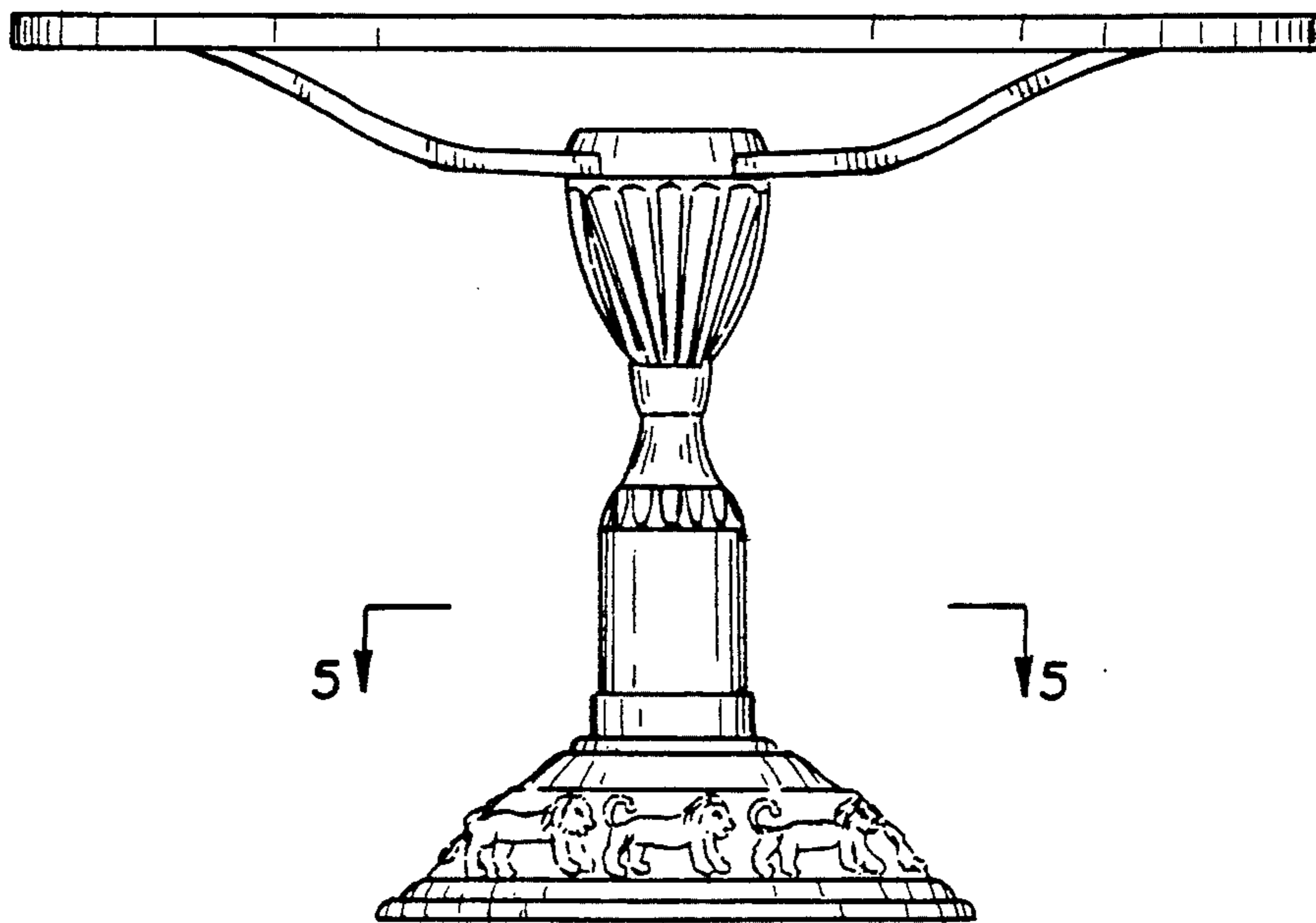


FIG. 4

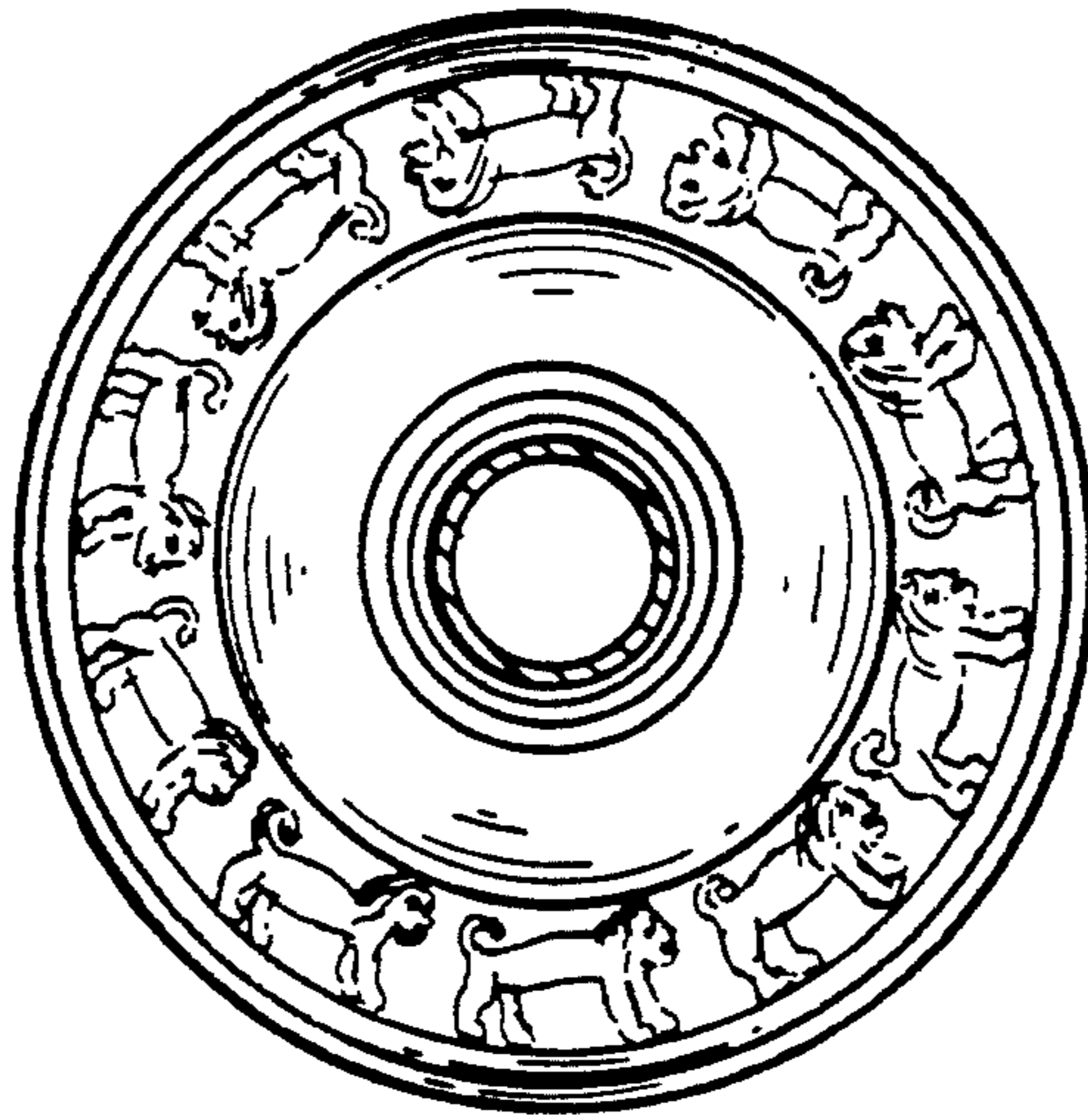


FIG. 5

UNITED STATES PATENT AND TRADEMARK OFFICE
CERTIFICATE OF CORRECTION

PATENT NO. : Des. 346,080
DATED : April 19, 1994
INVENTOR(S) : JEFFREY A. WEISS

It is certified that error appears in the above-identified patent and that said Letters Patent is hereby corrected as shown below:

Cover page, item 76, "Weis" should be --Weiss--.

Signed and Sealed this
Sixteenth Day of August, 1994

Attest:



BRUCE LEHMAN

Attesting Officer

Commissioner of Patents and Trademarks