



US00D346079S

# United States Patent [19]

[11] Patent Number: **Des. 346,079**

Farber

[45] Date of Patent: **\*\* Apr. 19, 1994**

[54] **DISPLAY MERCHANDISING CABINET**

[56] **References Cited**

[75] Inventor: **Stephen A. Farber, Fishers, Ind.**

### U.S. PATENT DOCUMENTS

D. 132,551 5/1942 Slingsby ..... D6/476 X  
D. 141,761 7/1945 Gilinas ..... D6/437  
D. 291,166 8/1987 Morris ..... D6/476

[73] Assignee: **Golden Stream Quality Foods Co., Inc., Fishers, Ind.**

*Primary Examiner*—Carmen H. Vales-Lado  
*Attorney, Agent, or Firm*—Woodard, Emhardt, Naughton, Moriarty & McNett

[\*\*] Term: **14 Years**

### [57] CLAIM

[21] Appl. No.: **681,397**

The ornamental design for a display merchandising cabinet, as shown and described.

[22] Filed: **Apr. 8, 1991**

### DESCRIPTION

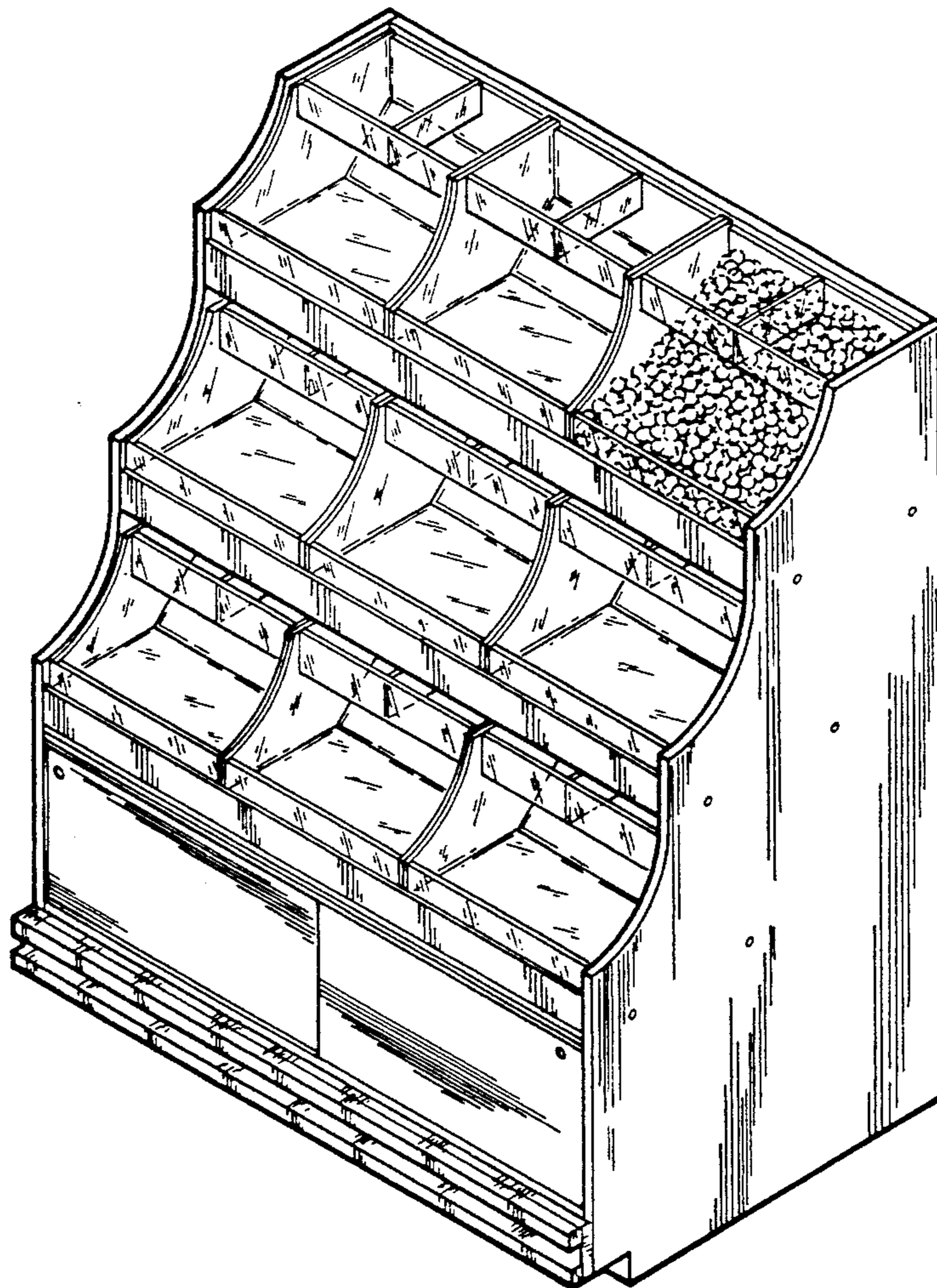
#### Related U.S. Application Data

[63] Continuation-in-part of Ser. No. 648,382, Jan. 31, 1991, Pat. No. Des. 333,219.

[52] U.S. Cl. .... D6/437; D6/476

[58] Field of Search ..... D6/432-448, D6/475, 476, 474, 473, 470-472; 312/118, 126; 211/188

FIG. 1 is a top plan view of a display merchandising cabinet showing my new design; FIG. 2 is a front elevational view thereof; FIG. 3 is a right side view thereof; FIG. 4 is a rear elevational view thereof; FIG. 5 is a left side view thereof; and, FIG. 6 is a perspective view thereof with the broken line showing of circular elements in the top right bin being for illustrative purposes only.



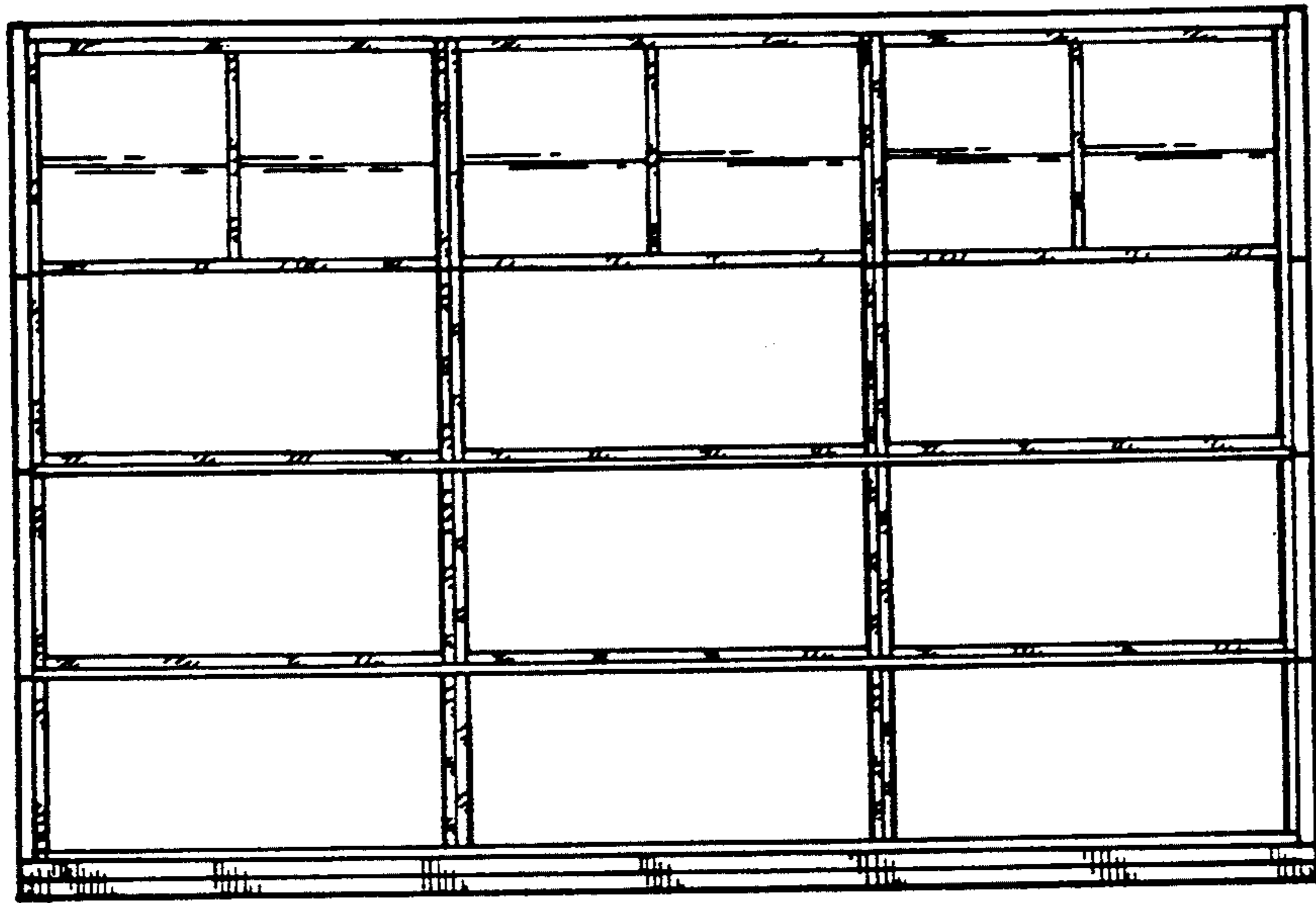


Fig. 1

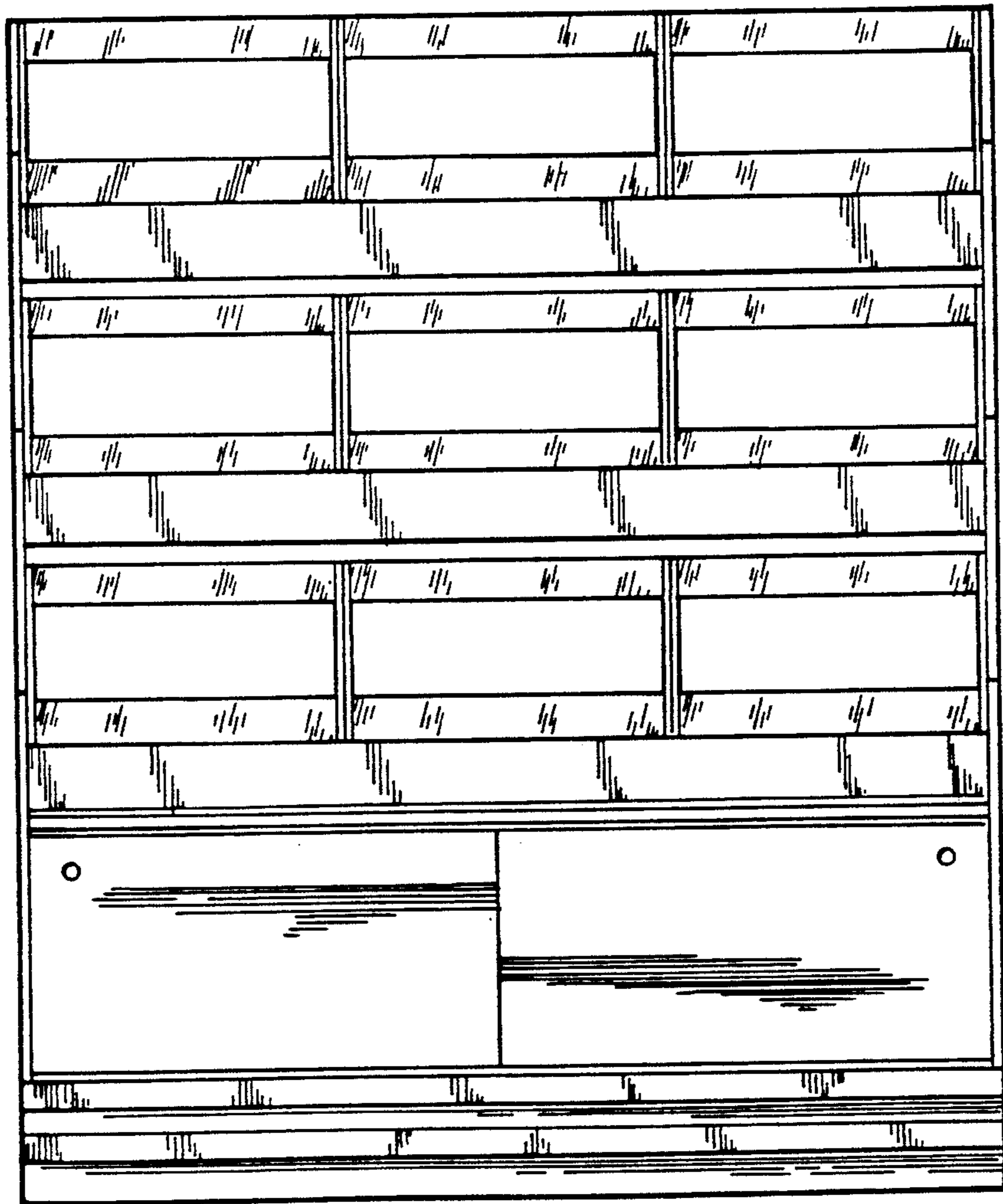


Fig. 2

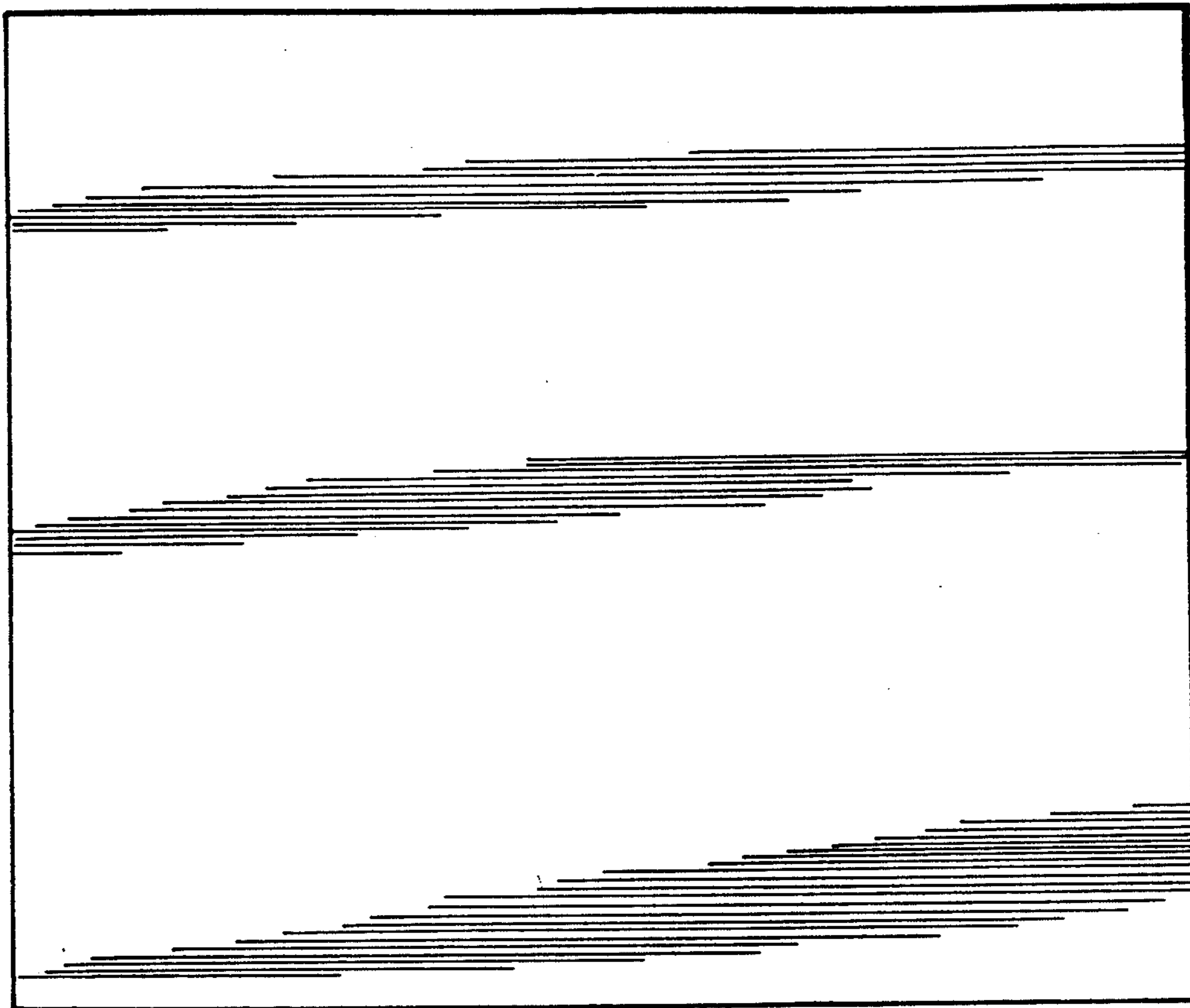


Fig. 4

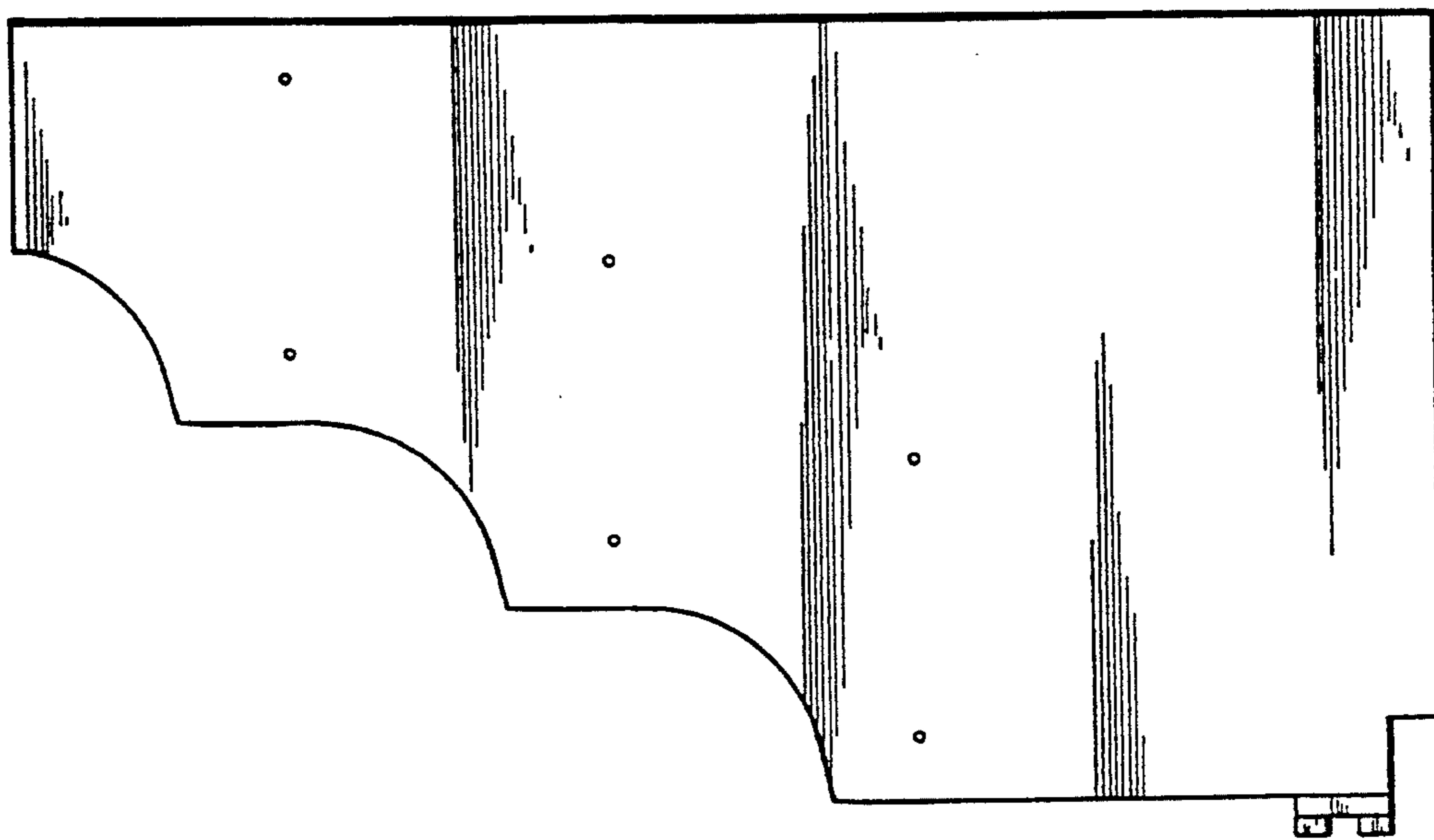


Fig. 3

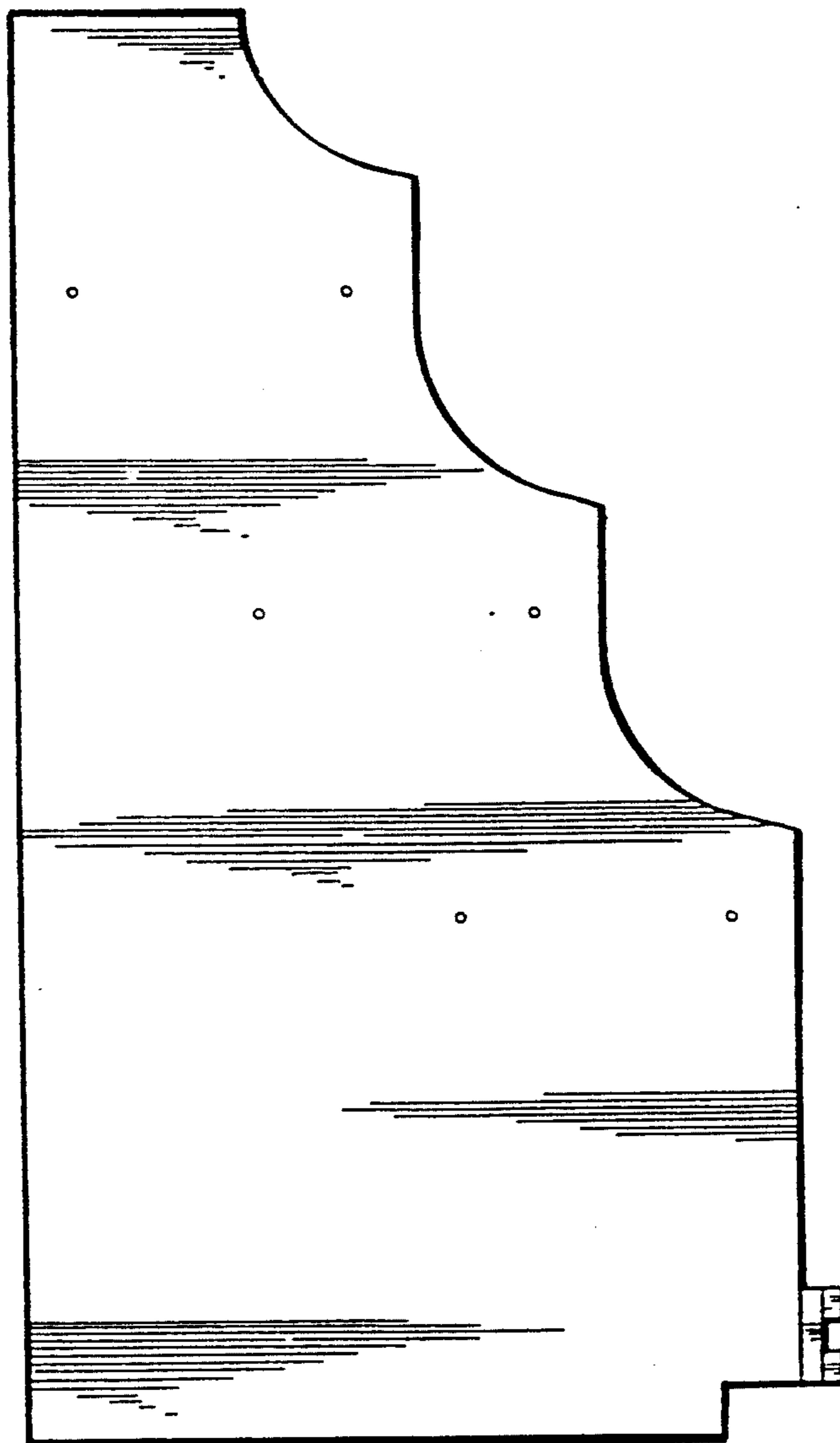


Fig.5

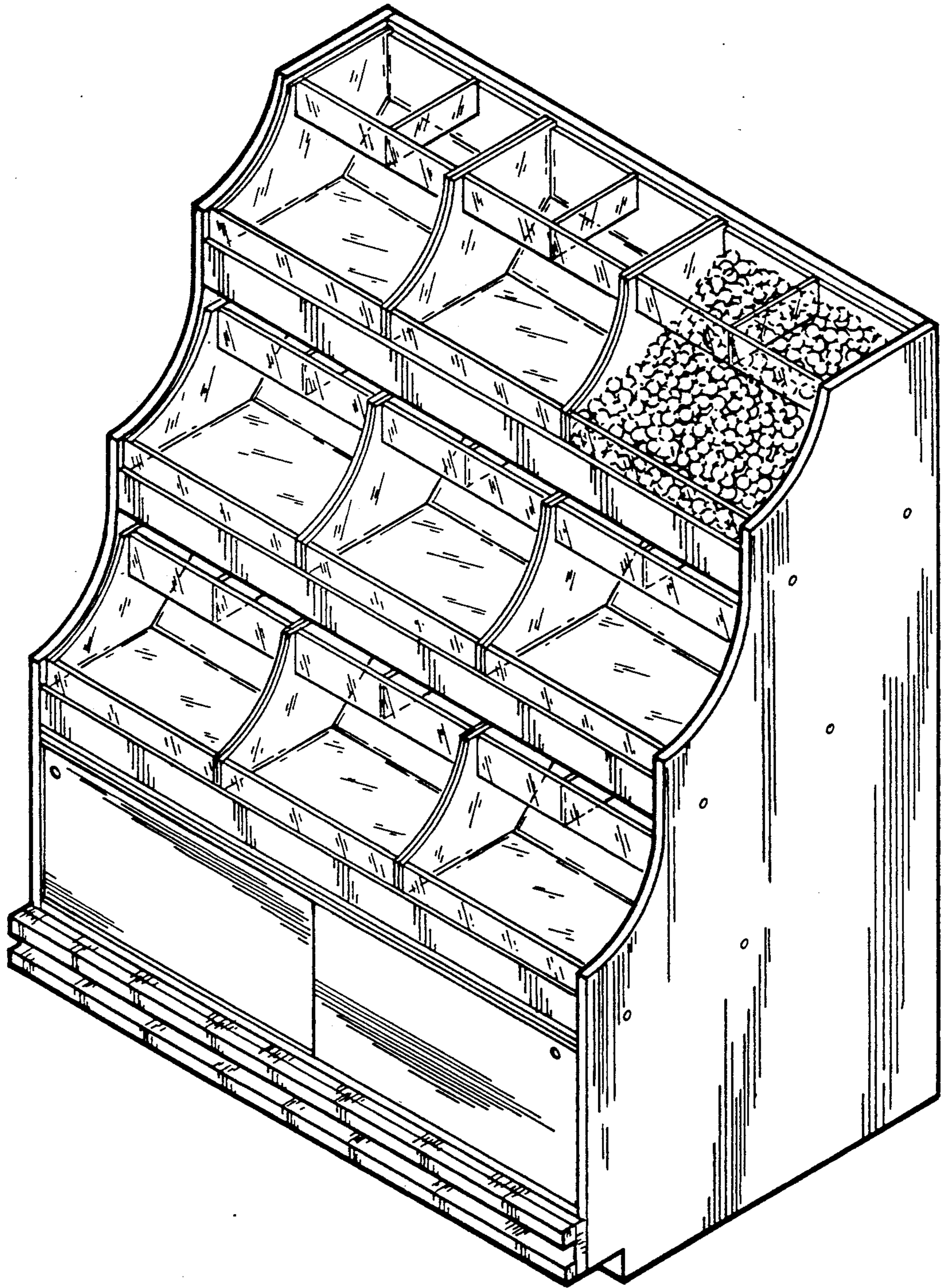


Fig. 6