



US00D346076S

United States Patent [19]

[11] Patent Number: **Des. 346,076**

Brunel

[45] Date of Patent: **** Apr. 19, 1994**

[54] **BUNK BED**

[75] Inventor: **Jean Brunel, Montmagny, Canada**

[73] Assignee: **Amisco Industries Ltd., Quebec, Canada**

[**] Term: **14 Years**

[21] Appl. No.: **866,234**

[22] Filed: **Apr. 8, 1992**

[52] U.S. Cl. **D6/394**

[58] Field of Search **D6/382-384, D6/388-395, 505-508; 5/2.1, 8, 9.1, 414, 416**

[56] **References Cited**

U.S. PATENT DOCUMENTS

D. 333,047	2/1993	de Blois	D6/382
640,782	1/1900	Lein	5/9.1
895,898	8/1908	Scheer	D6/382 X
2,328,235	8/1943	Setzler	D6/392 X
3,950,796	4/1976	Hollingsworth	5/9.1 X
4,896,385	1/1990	Bustos	D6/383 X

OTHER PUBLICATIONS

Furniture Today, Apr. 10, 1989, p. 160, Bed at top right.

Primary Examiner—Nelson C. Holtje

Assistant Examiner—J. E. Seeger

[57] **CLAIM**

The ornamental design for a bunk bed, as shown and described.

DESCRIPTION

FIG. 1 is a perspective view of a bunk bed, showing my new design;

FIG. 2 is a left side elevational view thereof;

FIG. 3 is a rear elevational view thereof;

FIG. 4 is a front elevational view thereof;

FIG. 5 is a right side elevational view thereof;

FIG. 6 is a top plan view thereof;

FIG. 7 is a perspective view of a bunk bed, showing a variant of my design;

FIG. 8 is a right side elevational view thereof;

FIG. 9 is a front elevational view thereof;

FIG. 10 is a rear elevational view thereof;

FIG. 11 is a left side elevational view thereof; and,

FIG. 12 is a top plan view thereof.

The broken lines are for environmental purposes only and form no part of the claimed design.

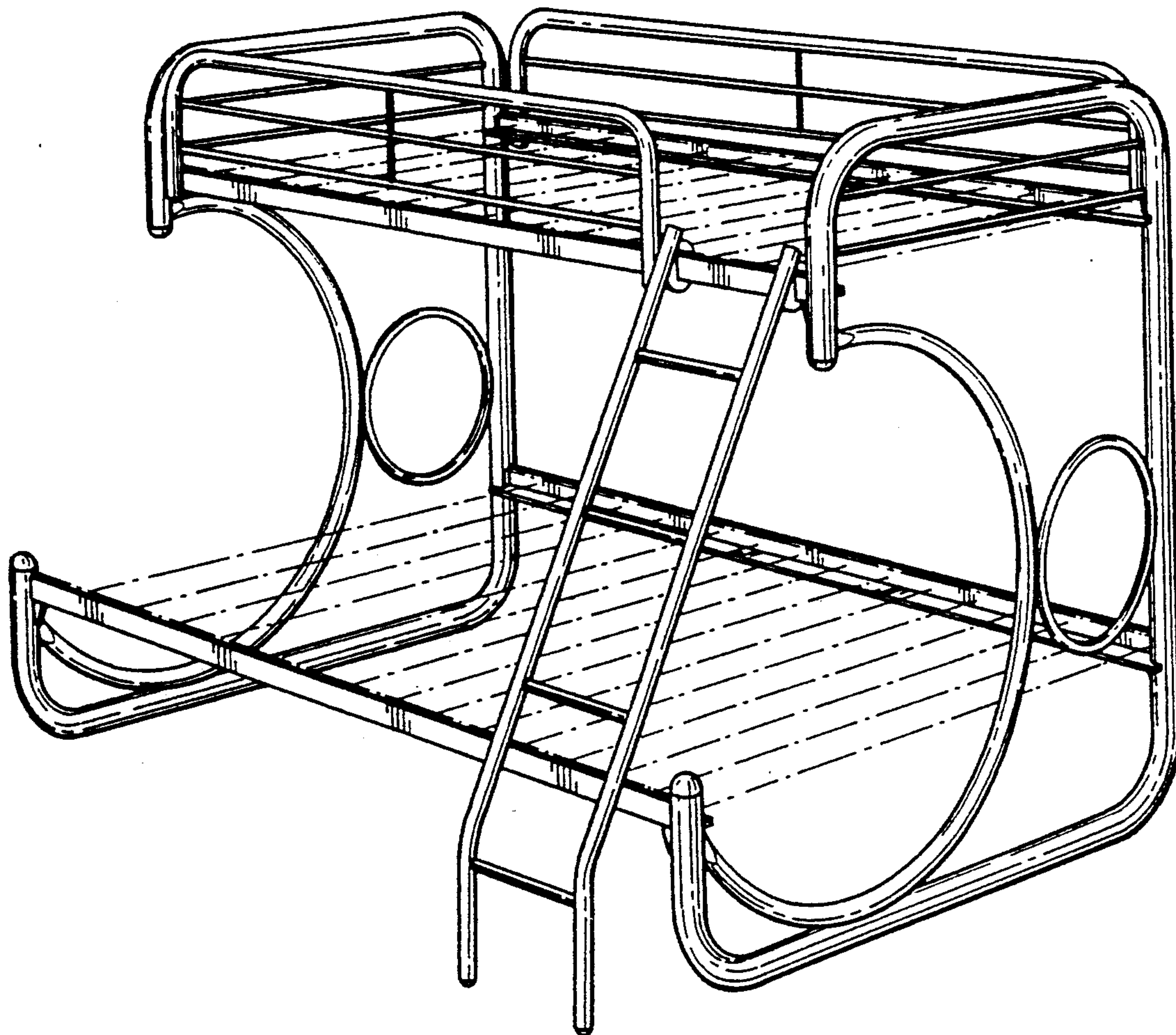


FIG. 1

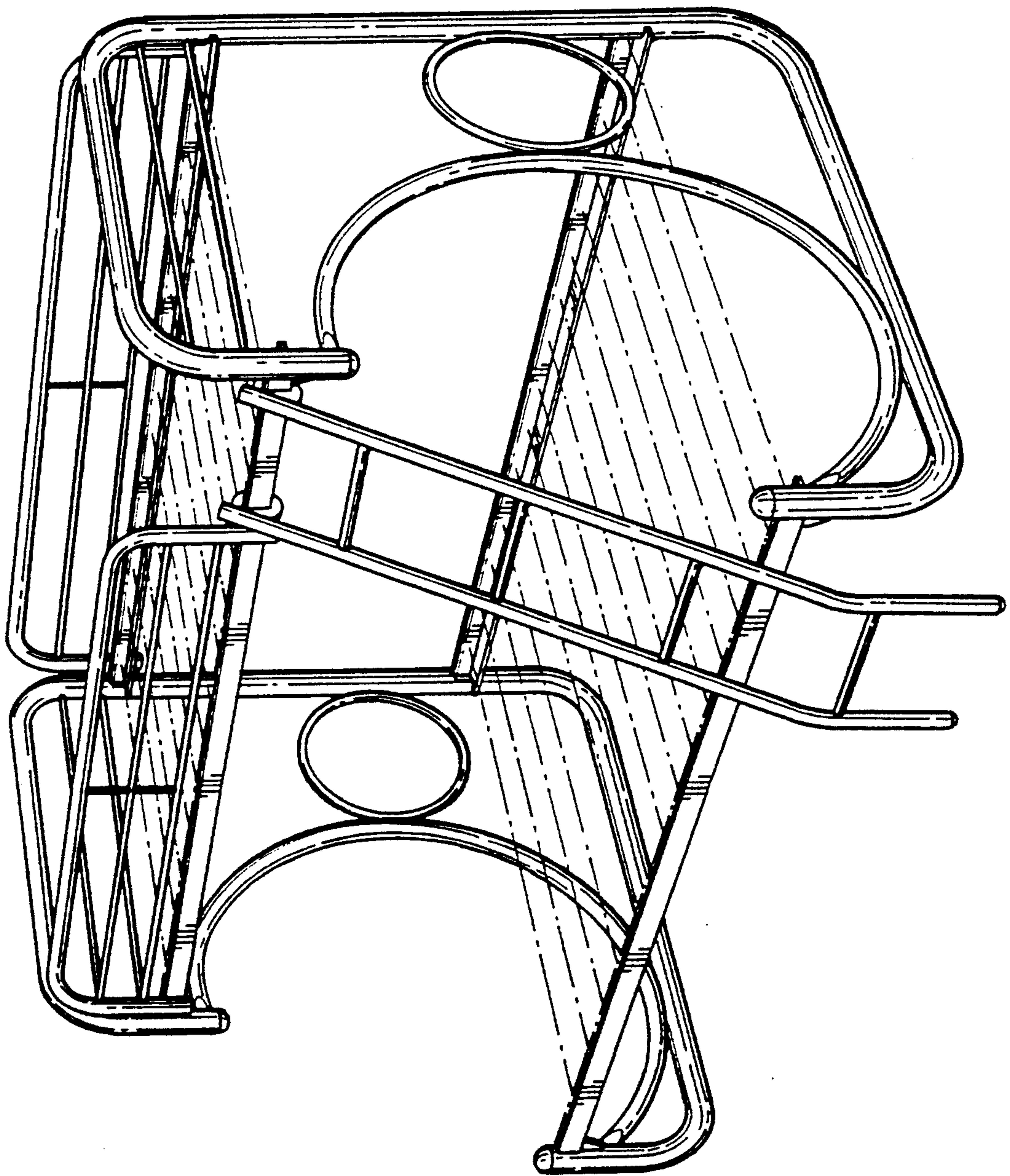


FIG. 2

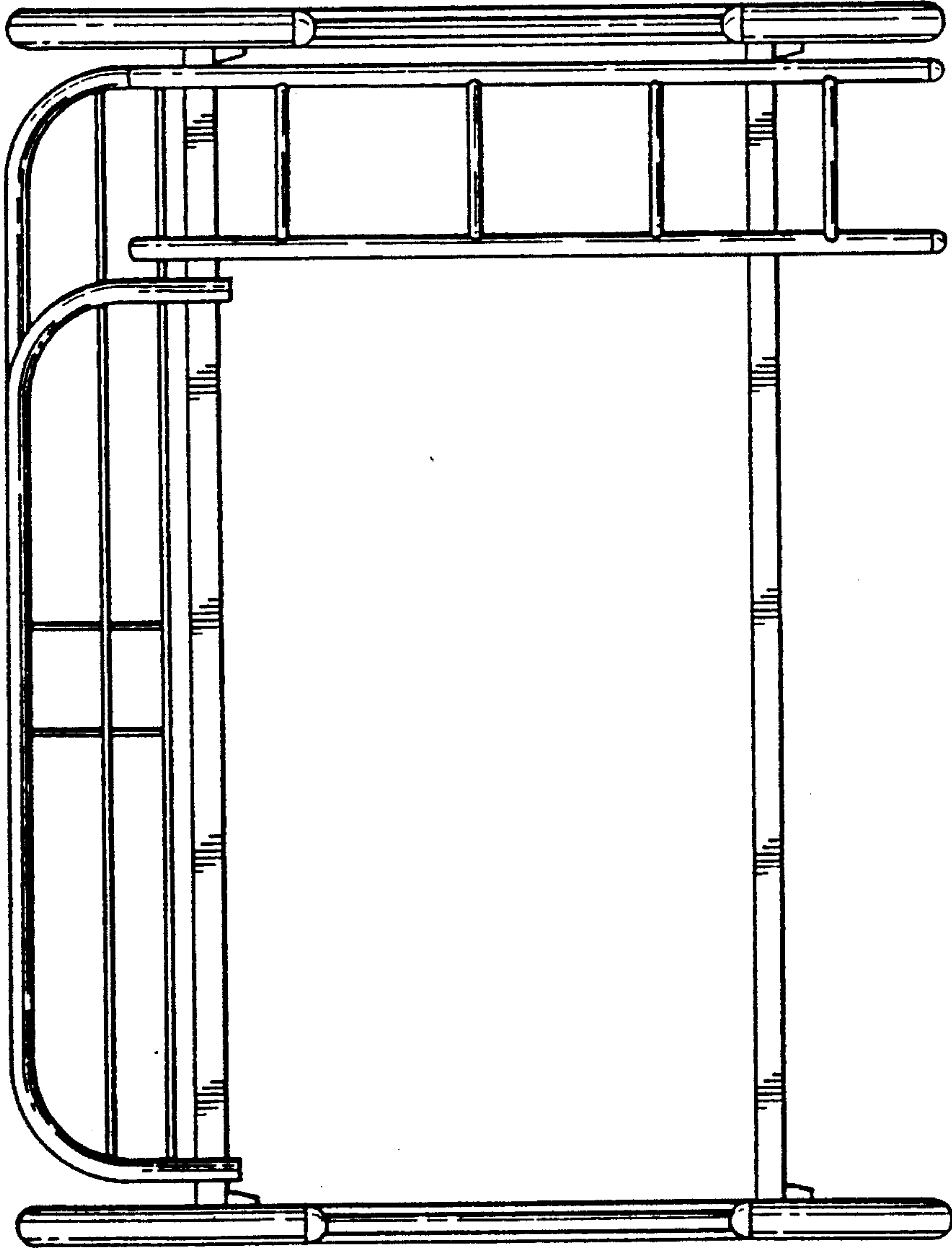


FIG. 4

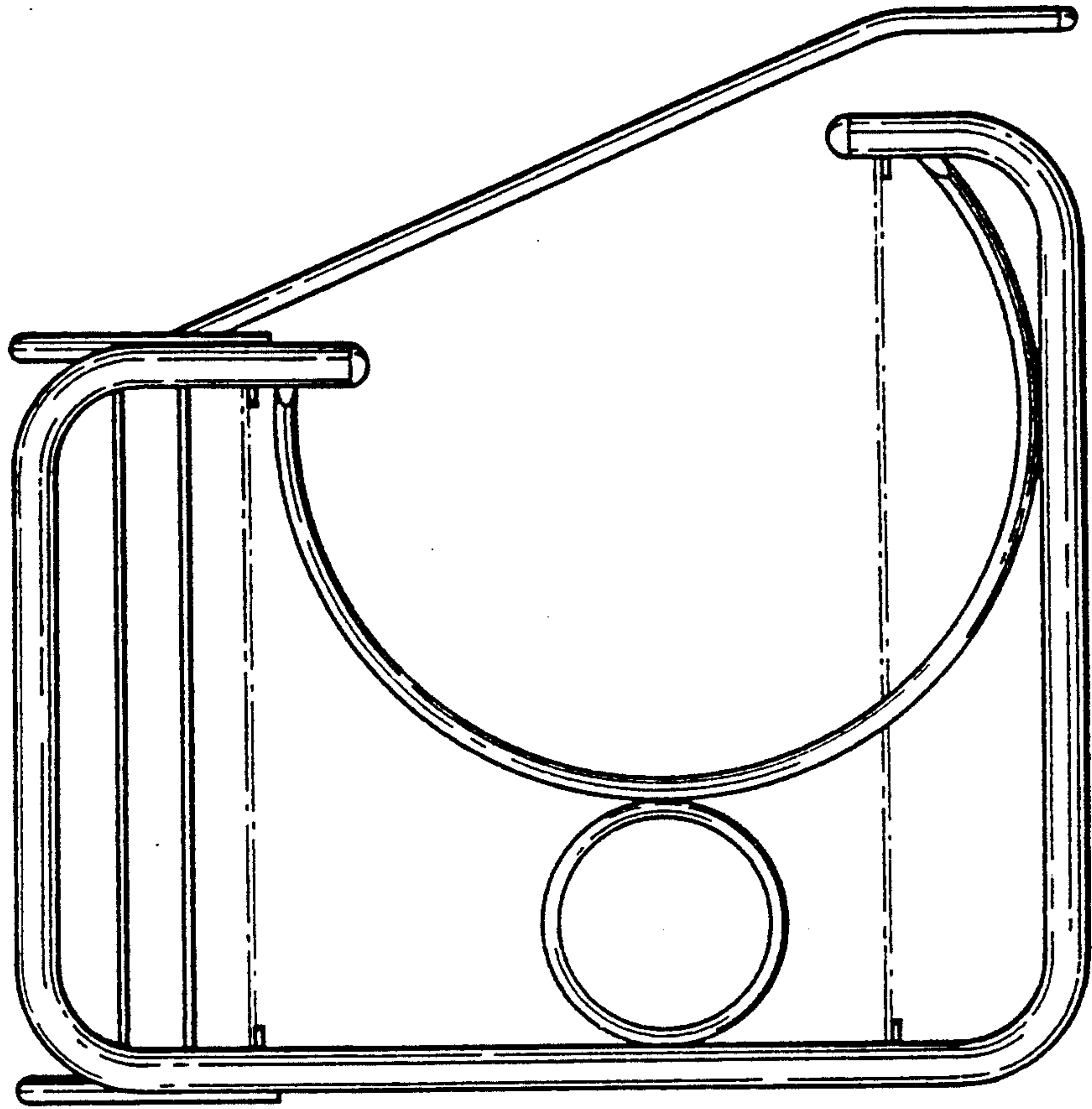


FIG. 3

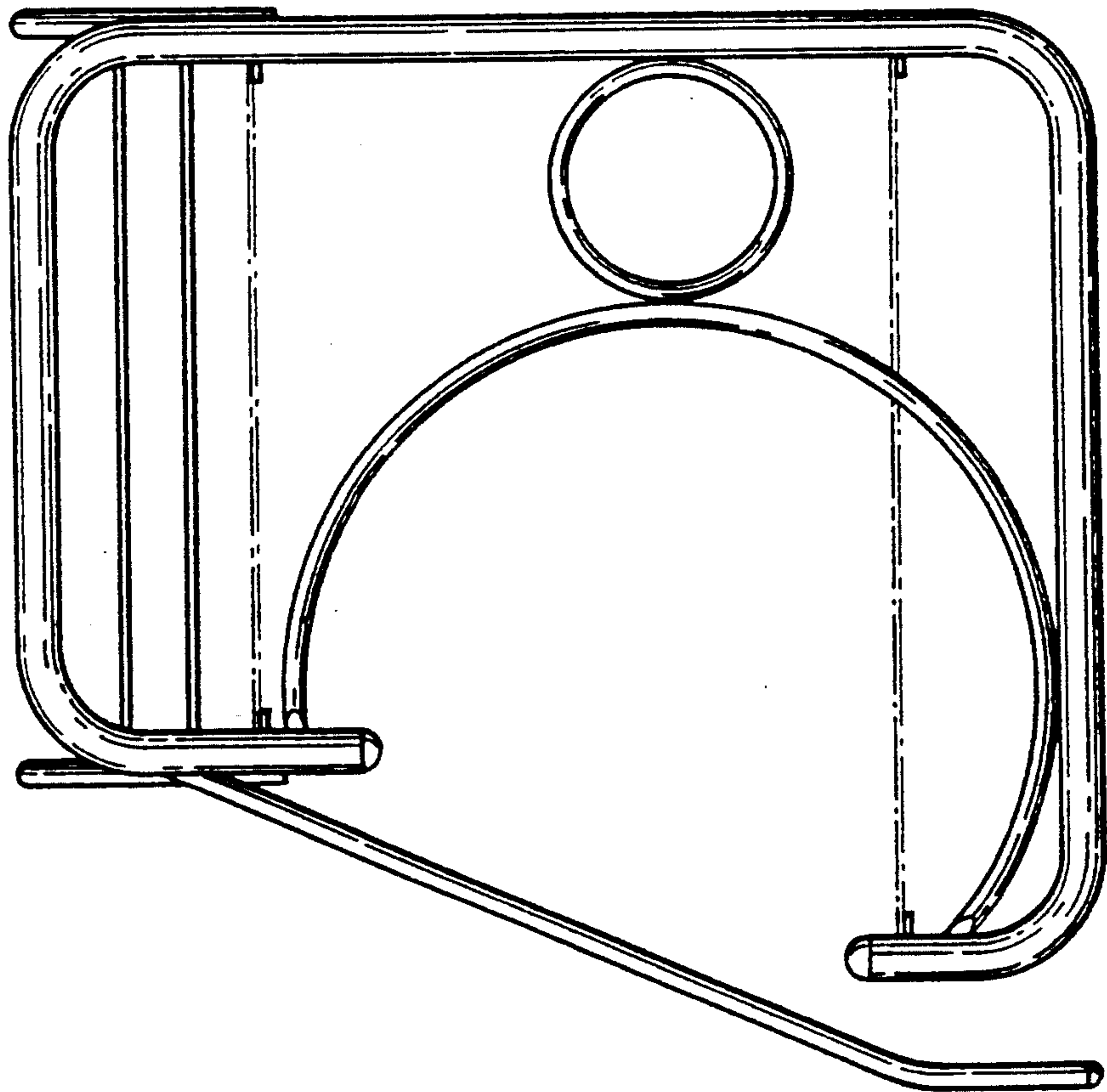


FIG. 5

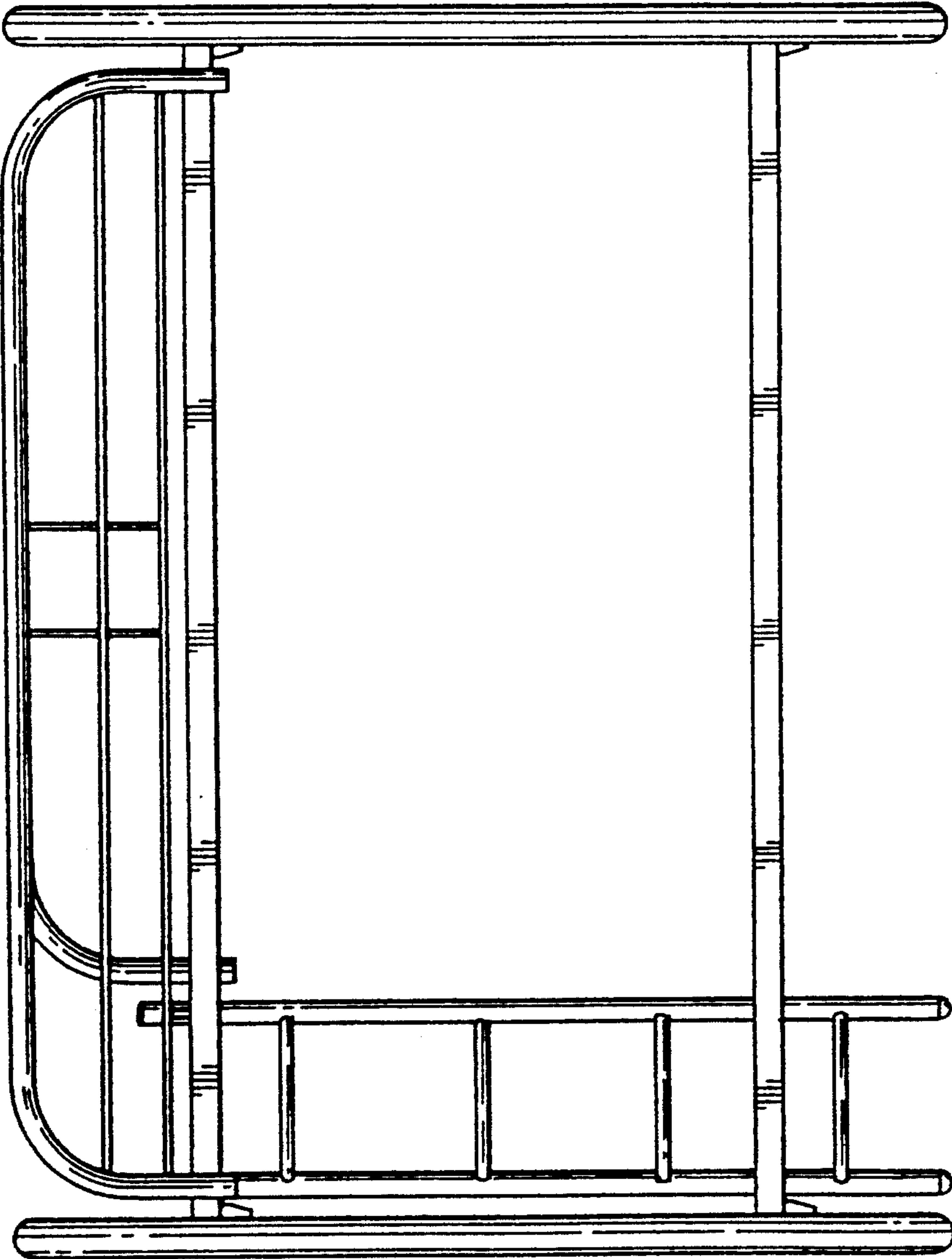


FIG. 6

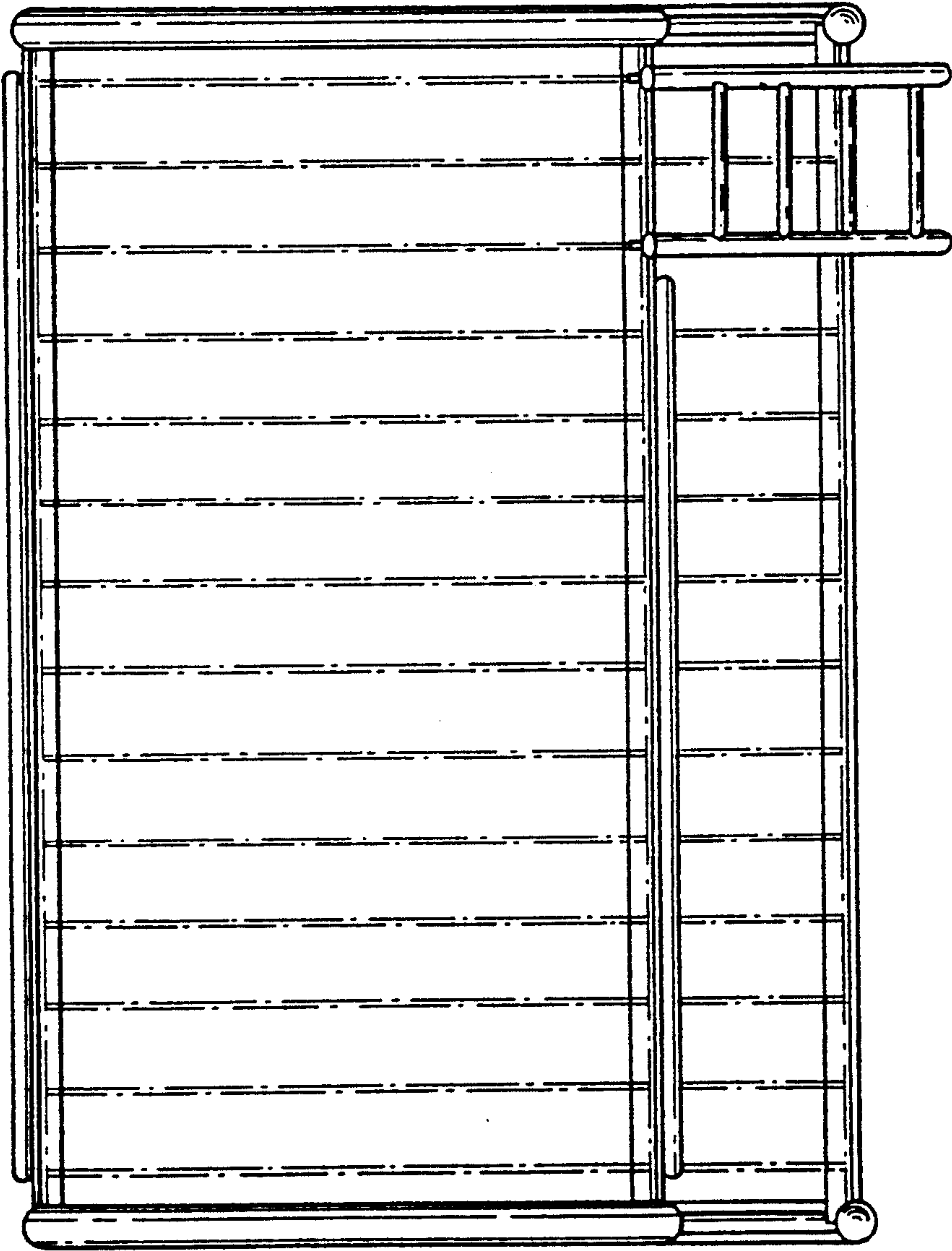


FIG. 7

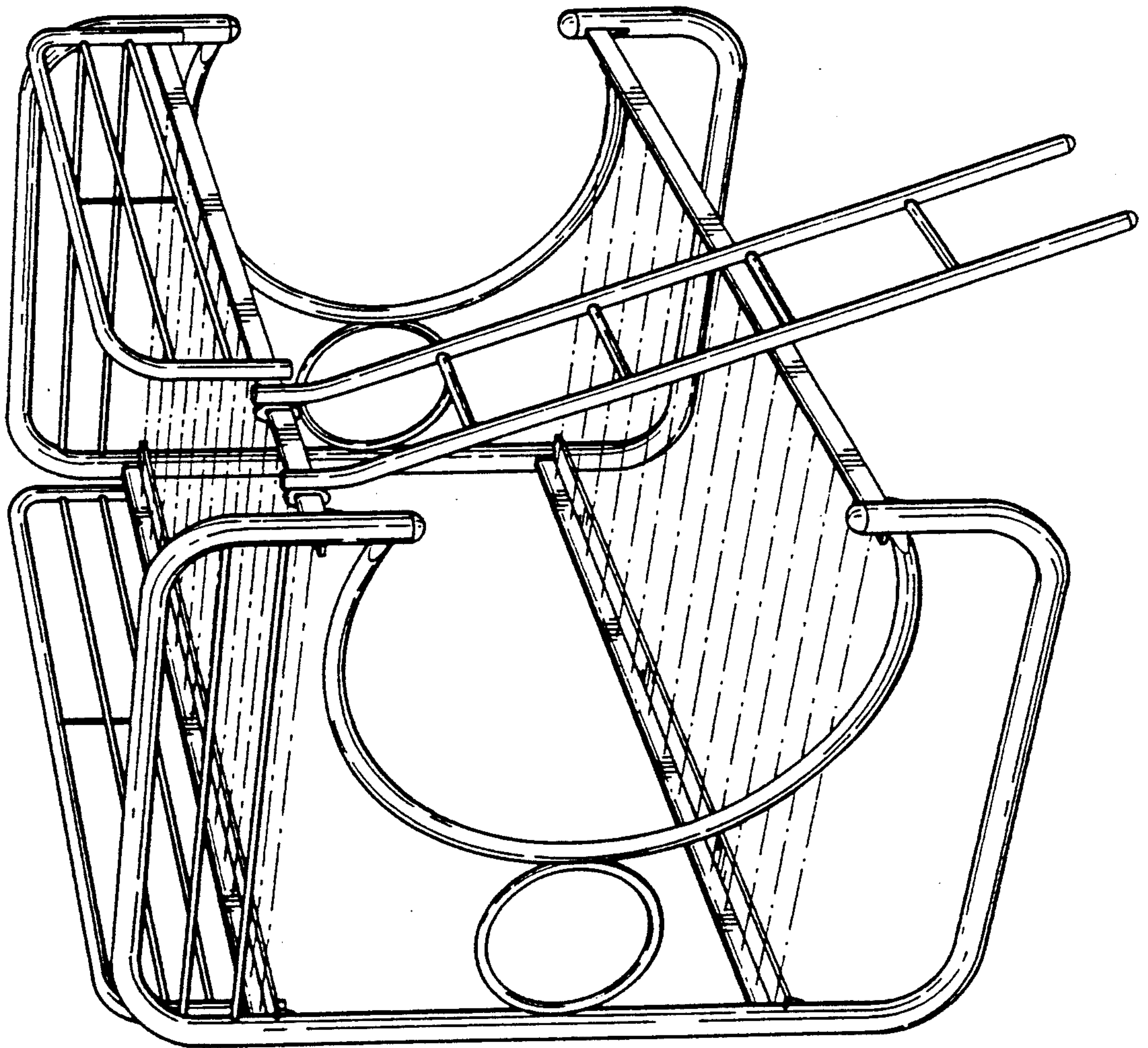


FIG. 8

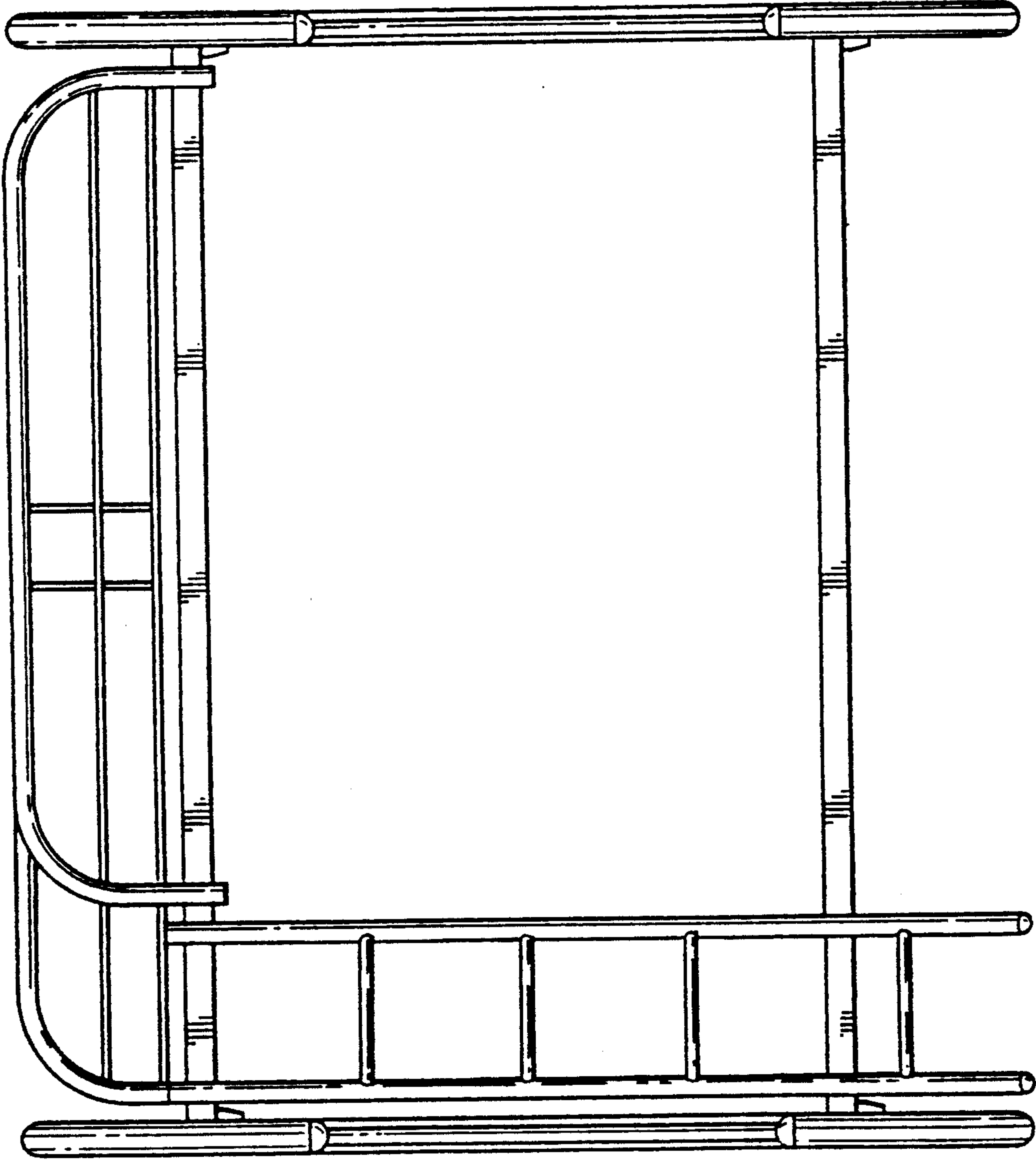


FIG. 10

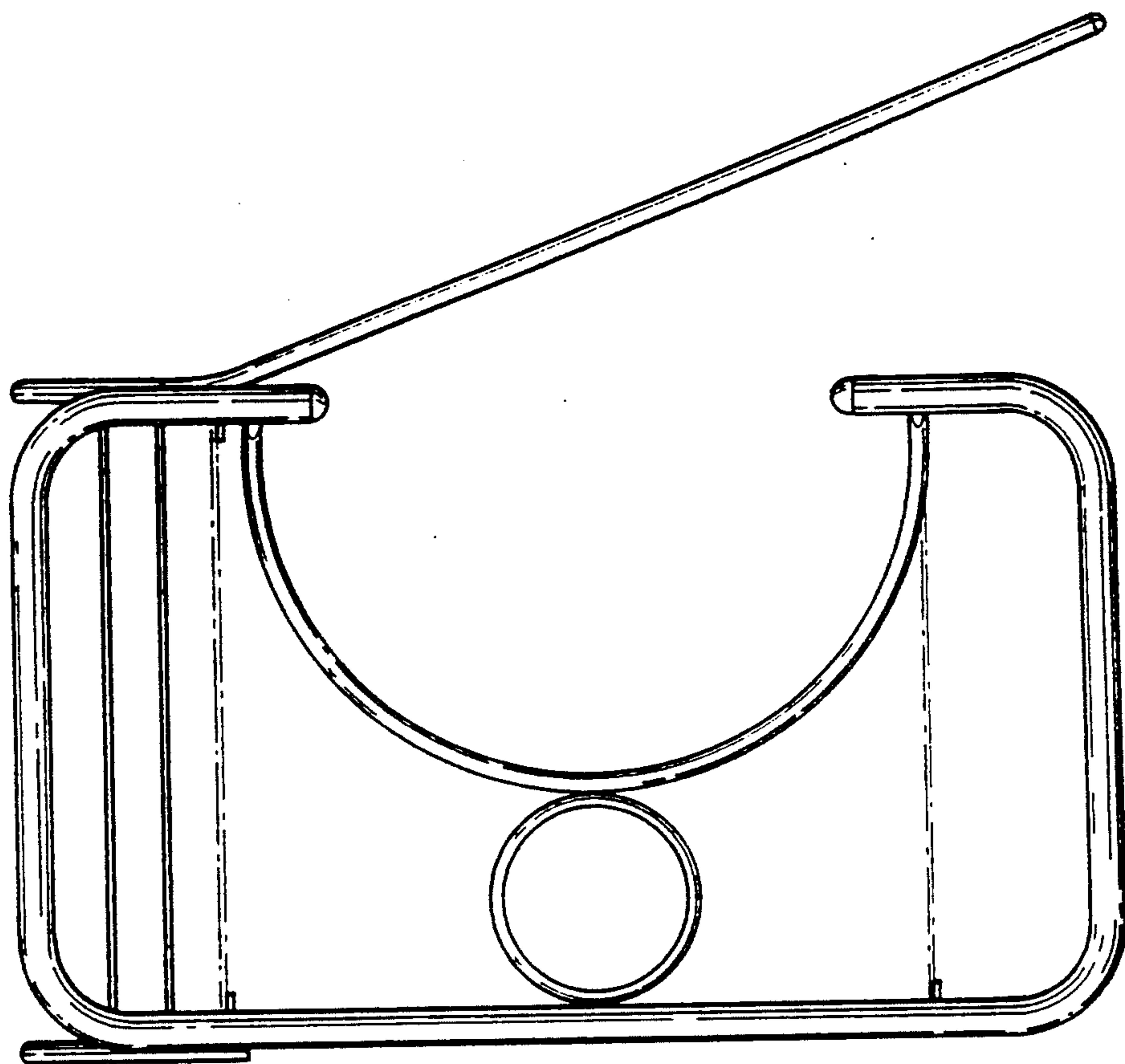


FIG. 9

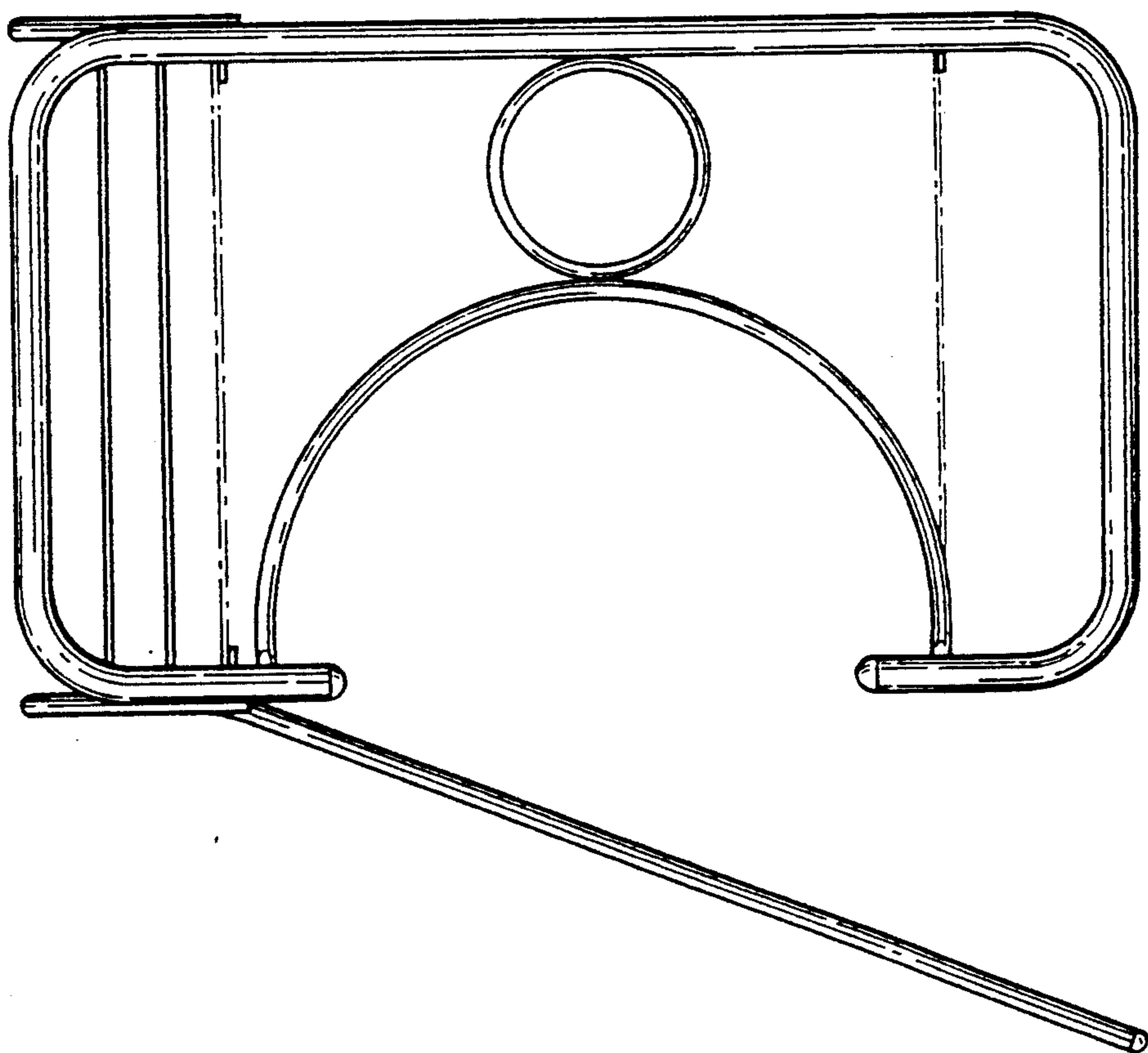
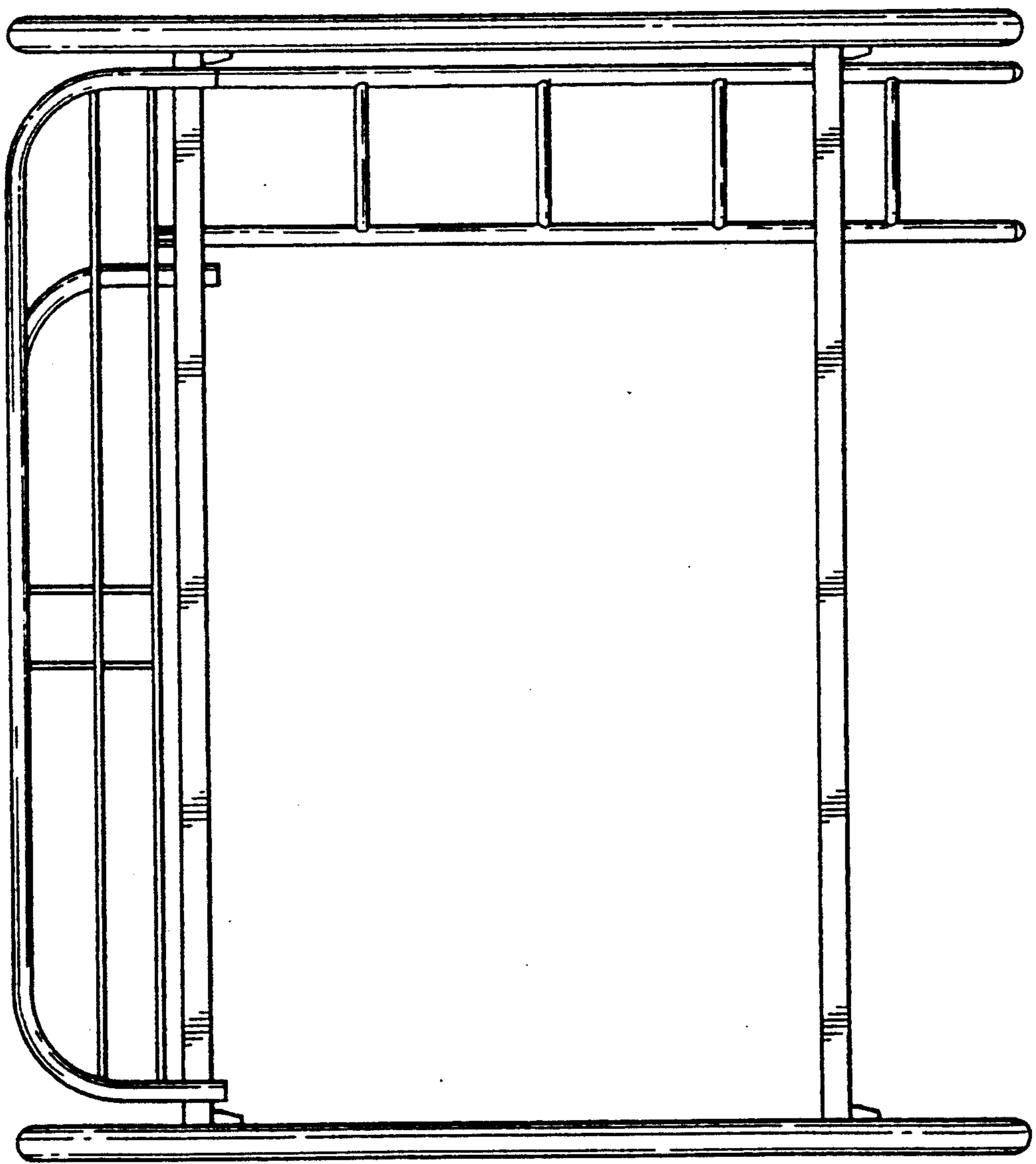


FIG. 11



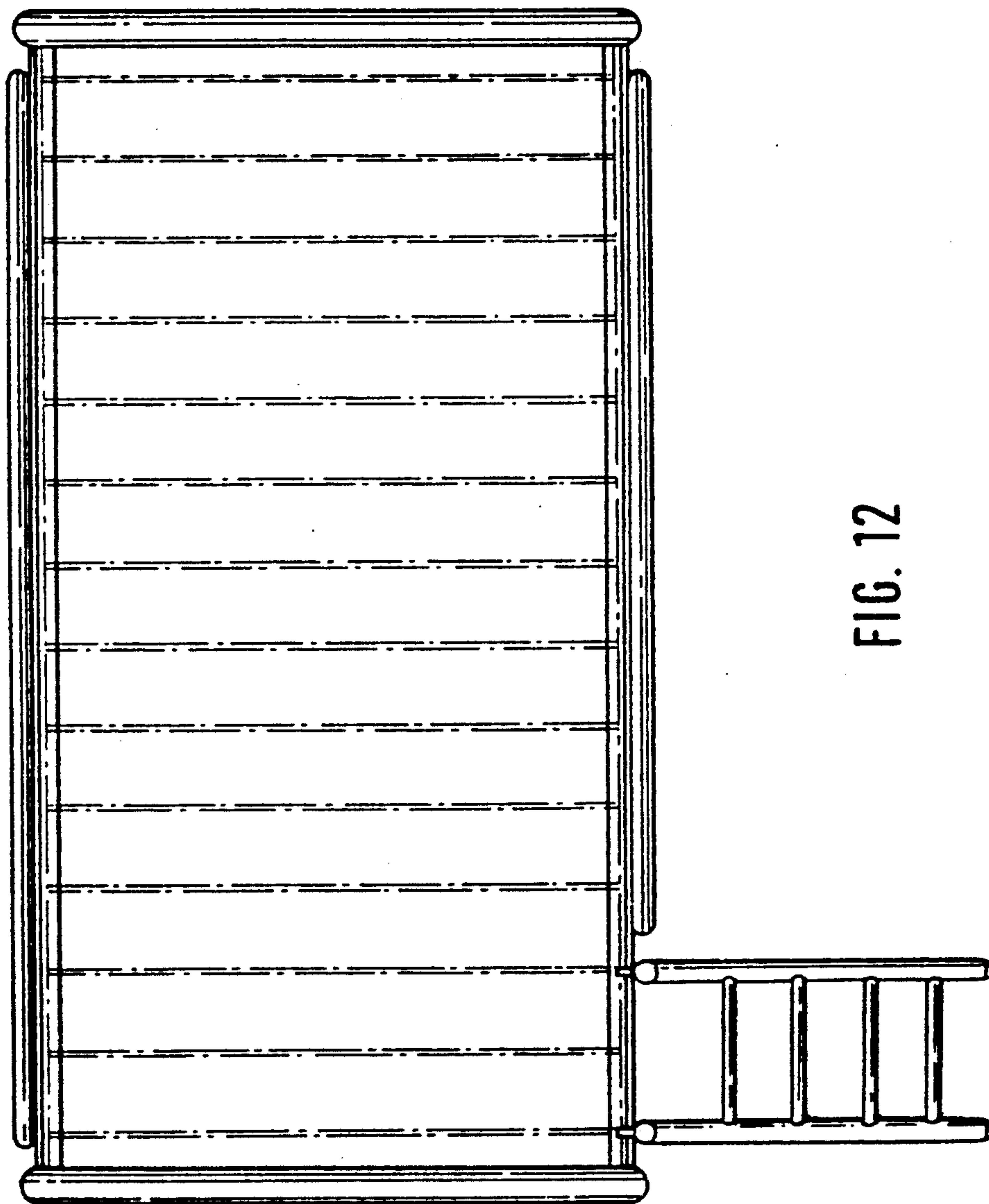


FIG. 12