



US00D346073S

# United States Patent [19]

[11] Patent Number: **Des. 346,073**

**Hamelink**

[45] Date of Patent: **\*\* Apr. 19, 1994**

[54] **CHAIR**

[75] Inventor: **Krijn Hamelink**, Amsterdam, Netherlands

[73] Assignee: **Car Industrie B.V.**, KE Katwijk, Netherlands

[\*\*] Term: **14 Years**

[21] Appl. No.: **836,444**

[22] Filed: **Feb. 18, 1992**

[52] U.S. Cl. .... **D6/373; D6/374; D6/380**

[58] Field of Search ..... **D6/334, 371, 372, 373, D6/374, 375, 379, 380, 500, 501, 502; 297/443, 445**

D. 283,277	4/1986	Ambasz et al. ....	D6/373
D. 314,285	2/1991	Favaretto .....	D6/373
D. 333,044	2/1993	Caruso .....	D6/373
3,847,433	11/1974	Acton et al. ....	D6/373 X
4,305,617	12/1981	Benoit .....	297/443 X
4,648,653	3/1987	Rowland .....	297/455 X

### OTHER PUBLICATIONS

Design Catalog, Sep. 1976, p. 39, Chair at top right.  
Fixtures Furniture, p. 14, Chair at bottom right.

*Primary Examiner*—Alan P. Douglas  
*Assistant Examiner*—Gary D. Watson  
*Attorney, Agent, or Firm*—Mason, Fenwick & Lawrence

### [57] CLAIM

The ornamental design for a chair, as shown and described.

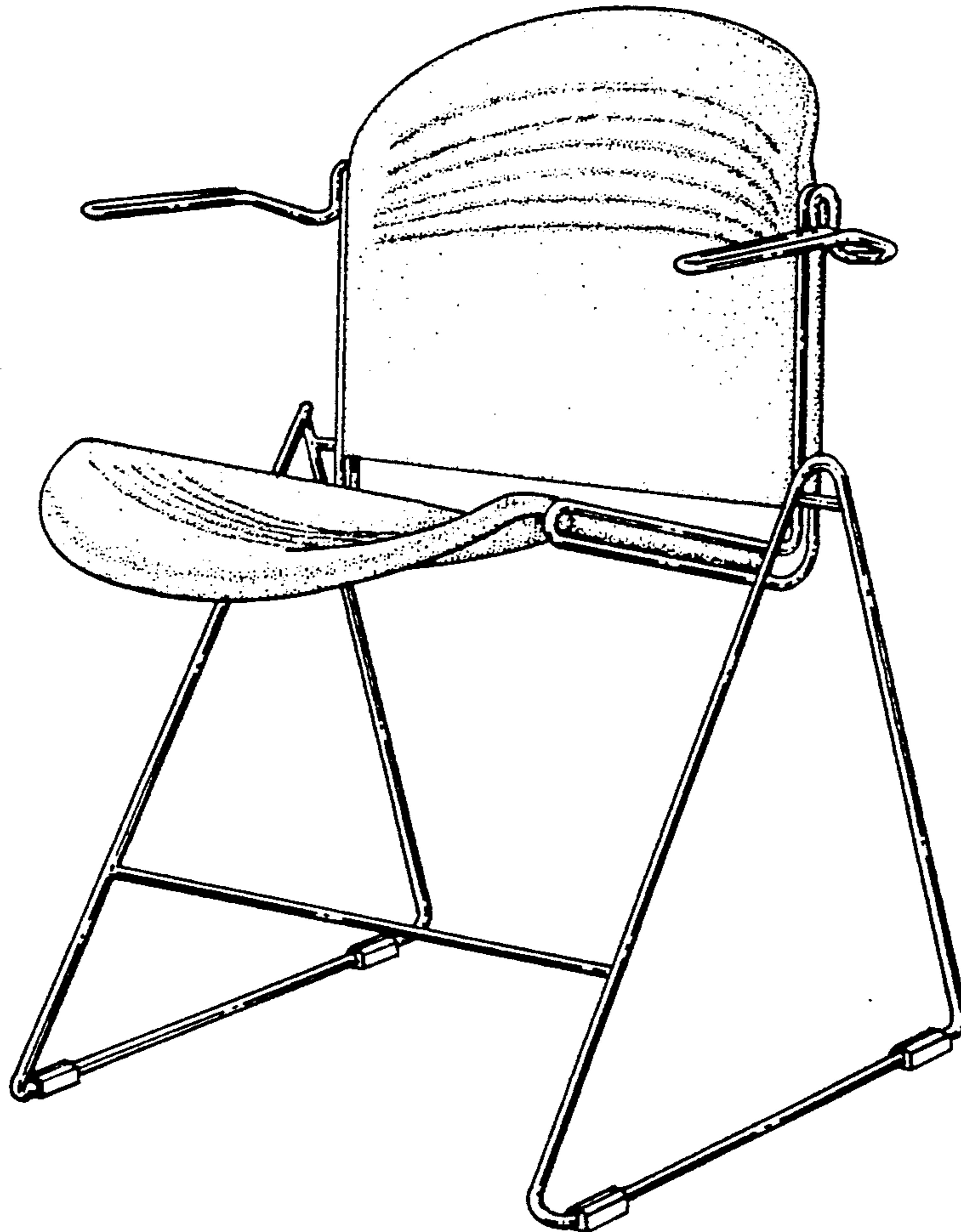
### [56] References Cited

#### U.S. PATENT DOCUMENTS

D. 235,711	7/1975	Acton .....	D6/373
D. 243,572	3/1977	Offredi .....	D6/373
D. 245,550	8/1977	DeFuccio .....	D6/373
D. 245,551	8/1977	DeFuccio .....	D6/373
D. 245,552	8/1977	DeFuccio .....	D6/373
D. 245,553	8/1977	DeFuccio .....	D6/373

### DESCRIPTION

FIG. 1 is a front view, partially from the left side, of a chair showing my new design;  
FIG. 2 is a side view thereof;  
FIG. 3 is a front view thereof;  
FIG. 4 is a rear view thereof;  
FIG. 5 is a top view thereof; and,  
FIG. 6 is a bottom view thereof.



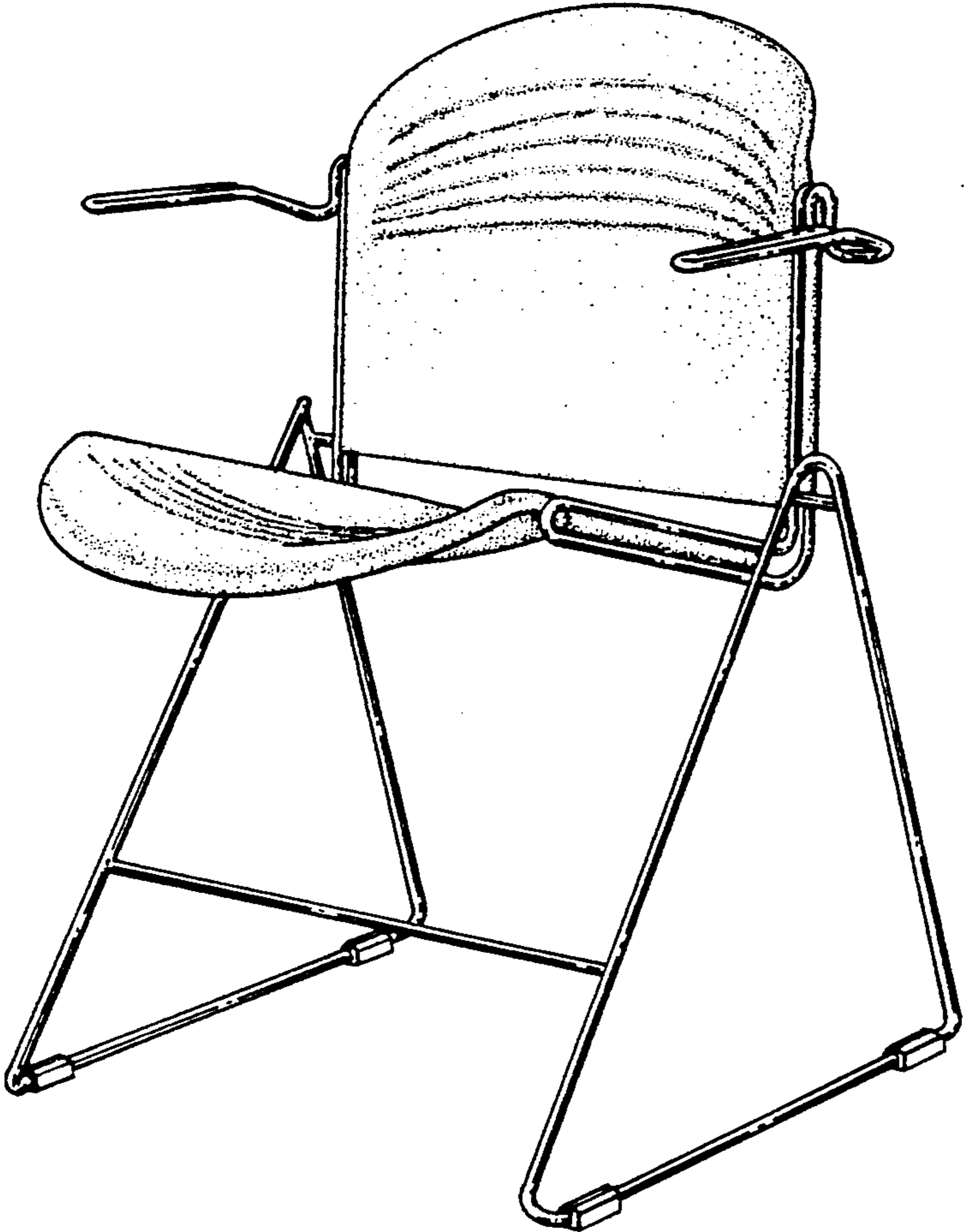


FIG. 1

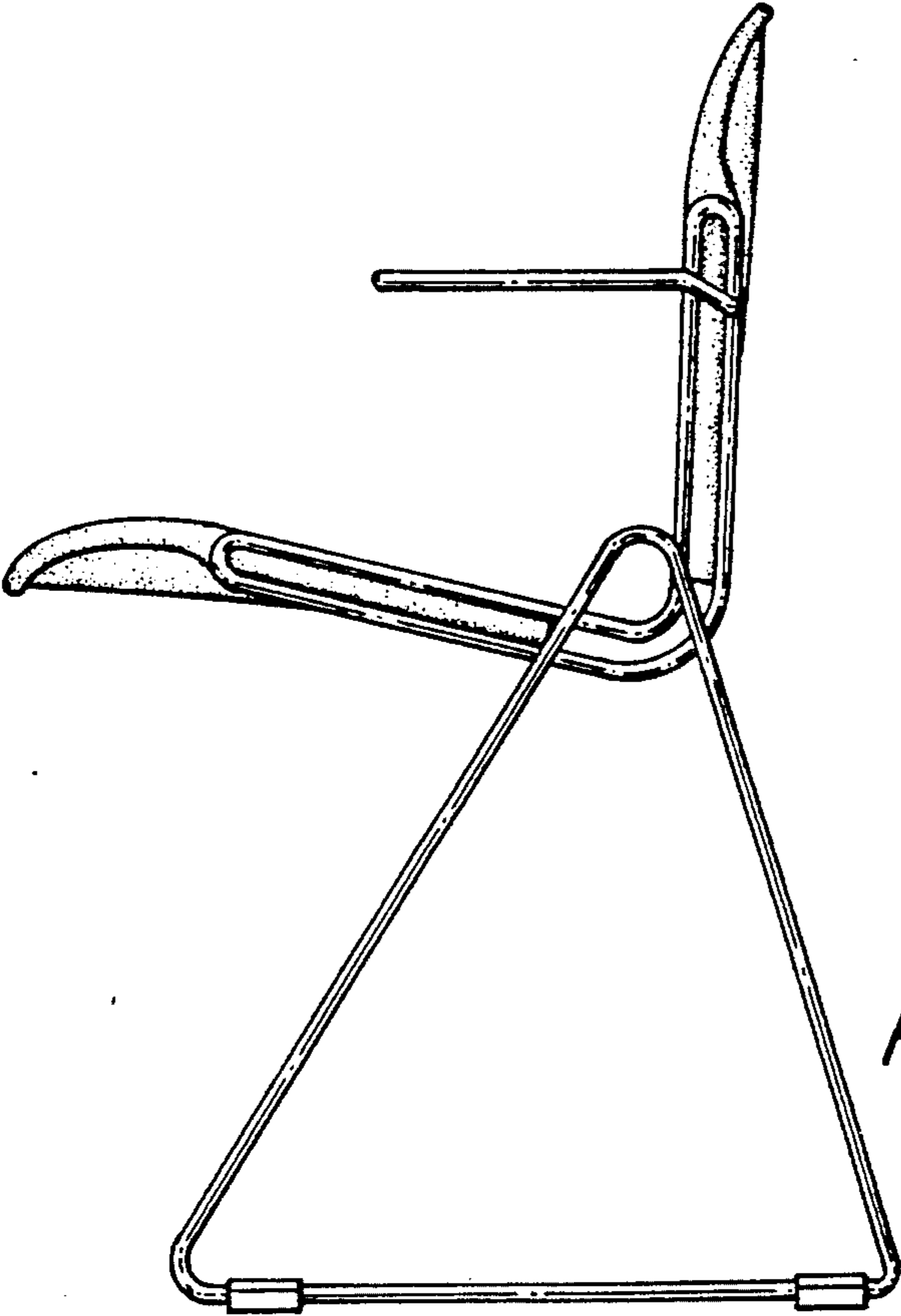


FIG. 2

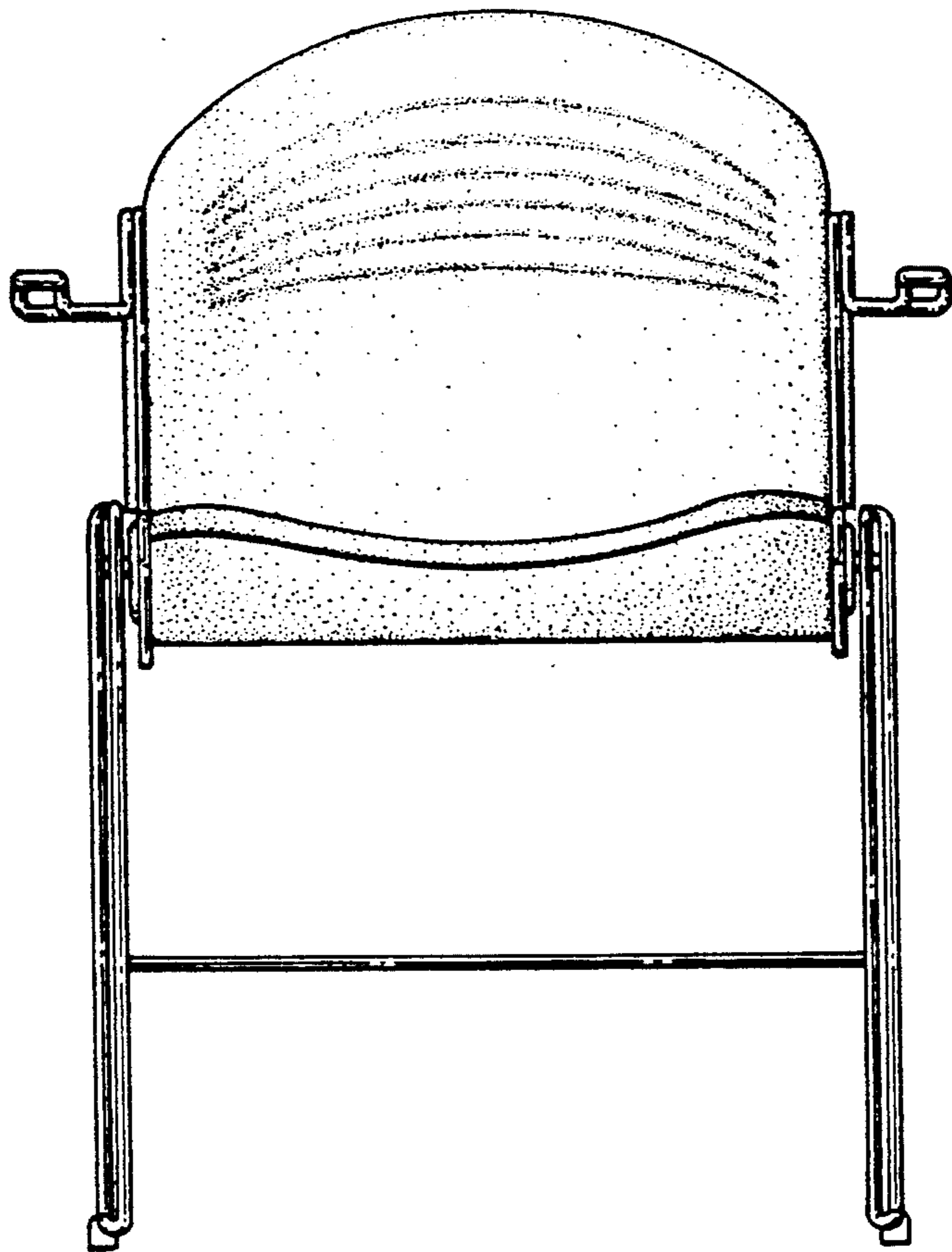


FIG. 3

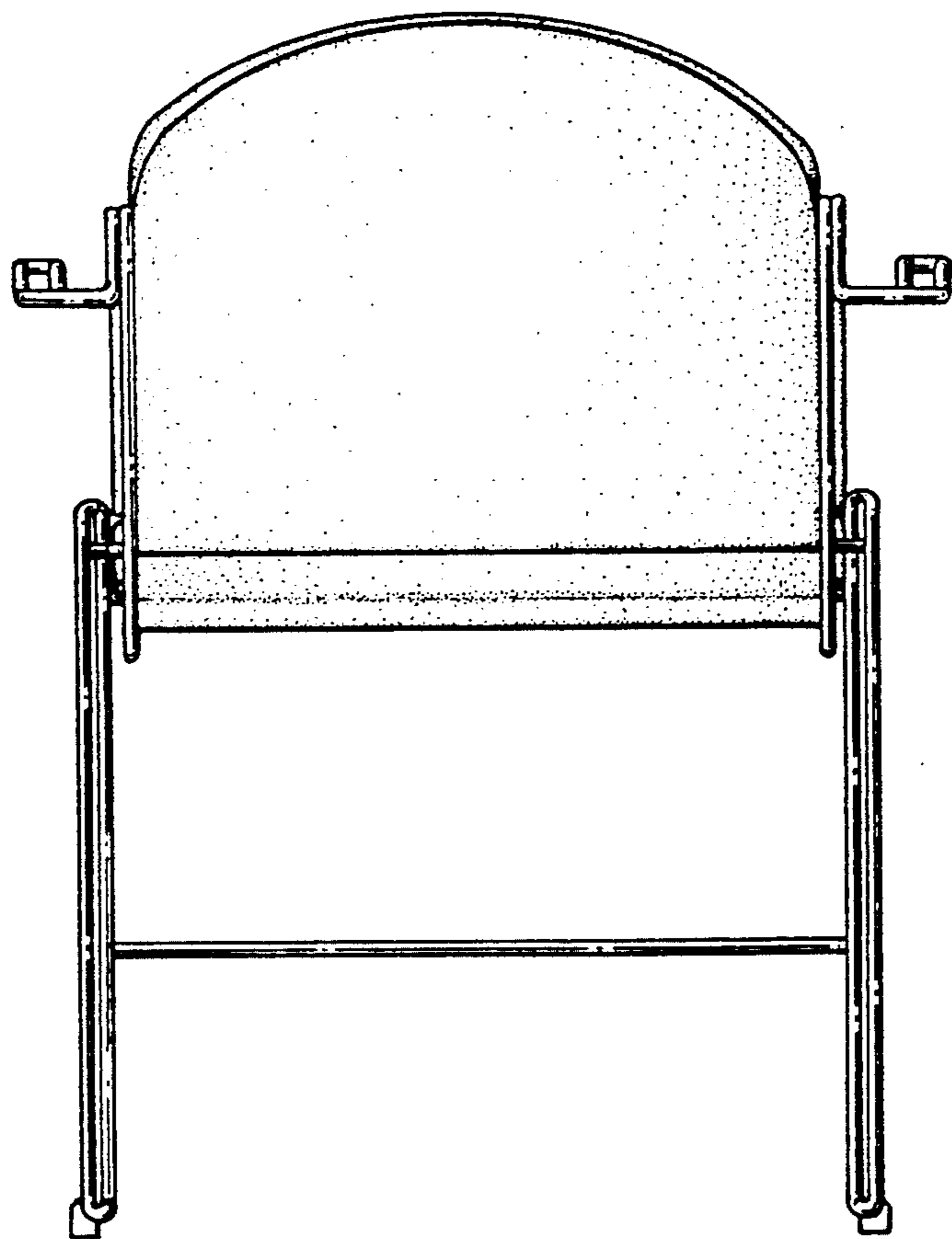


FIG. 4



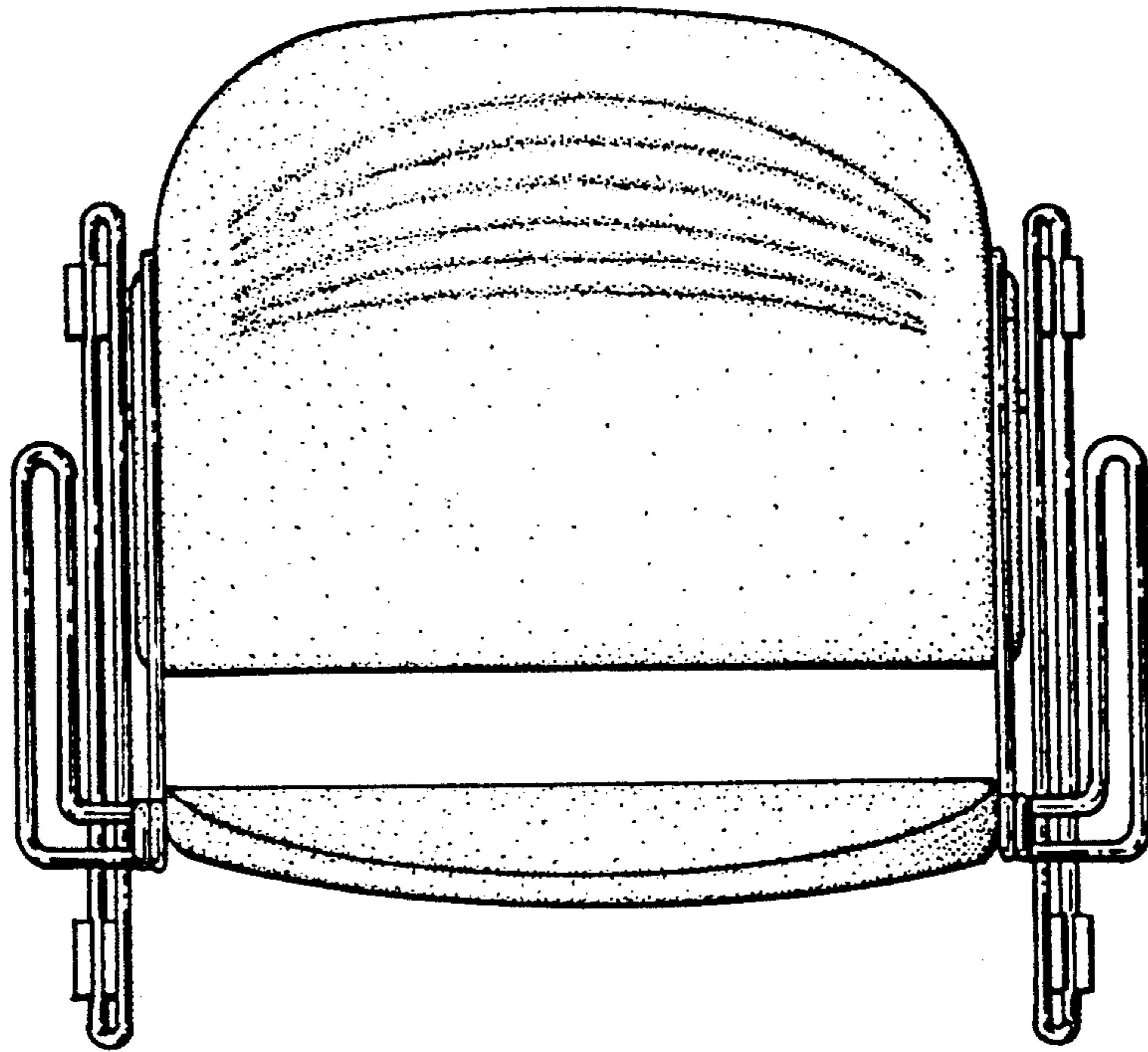


FIG. 5

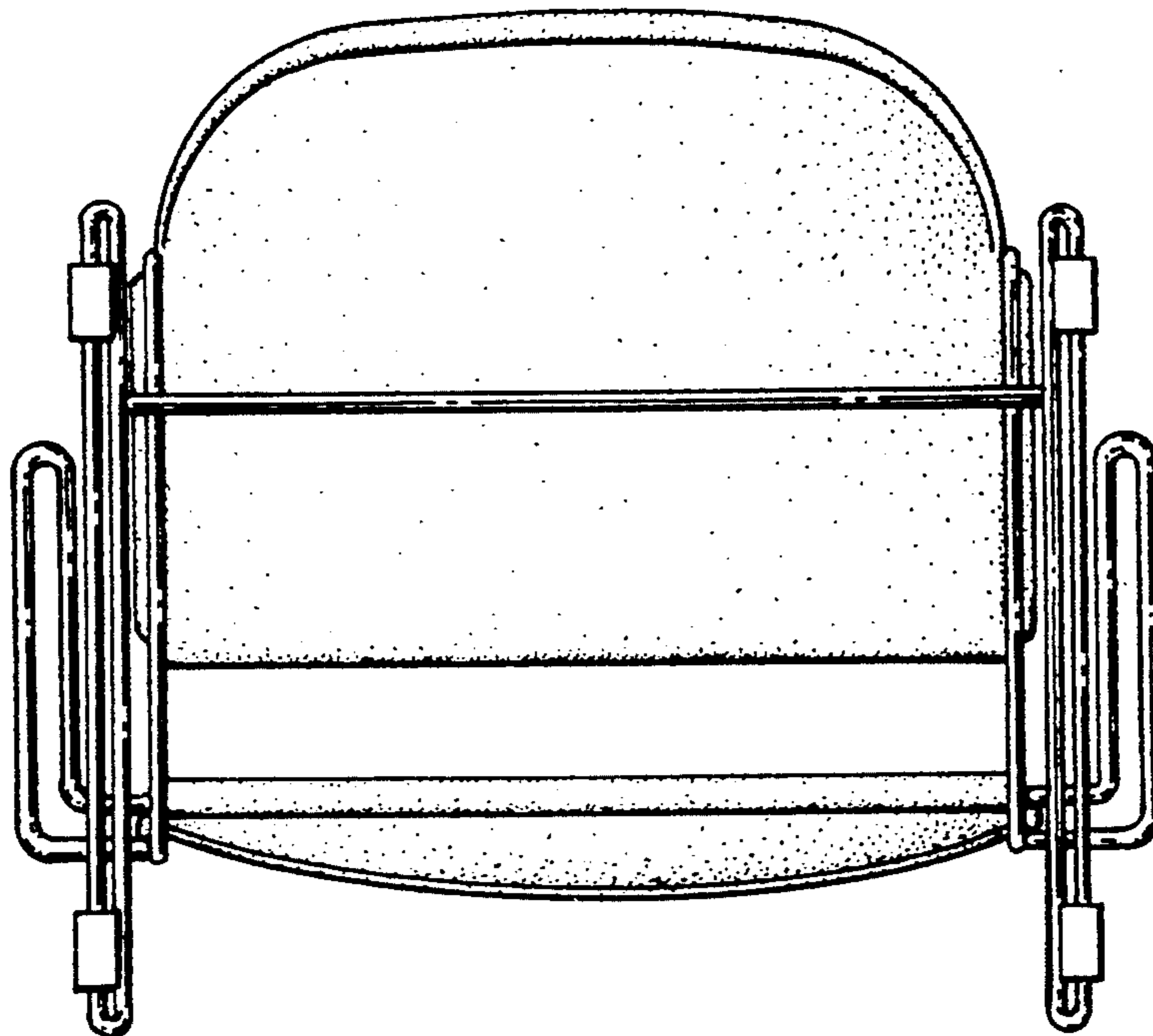


FIG. 6