



US00D346057S

**United States Patent** [19]  
**Carreras**

[11] **Patent Number: Des. 346,057**

[45] **Date of Patent: \*\* Apr. 12, 1994**

[54] **WOODEN PEDDLE TRASH CAN**

[76] **Inventor: Daniel T. Carreras, 3016 Fable Dr., Meraux, La. 70075**

[\*\*] **Term: 14 Years**

[21] **Appl. No.: 823,555**

[22] **Filed: Jan. 21, 1992**

[52] **U.S. Cl. .... D34/9; D34/7**

[58] **Field of Search ..... 220/908, 909, 404, 408, 220/262; 232/1 R, 43.3; D34/1-11**

[56] **References Cited**

**U.S. PATENT DOCUMENTS**

D. 161,649	1/1951	Riordan .....	D34/9
D. 309,209	7/1990	Oliemans et al. ....	D34/7
3,202,346	8/1965	Jacobs .....	232/43.3
5,163,574	11/1992	Sosan .....	220/262

**FOREIGN PATENT DOCUMENTS**

2065455 7/1981 United Kingdom ..... 220/262

*Primary Examiner—Kay H. Chin  
Attorney, Agent, or Firm—Hugh E. Smith*

[57] **CLAIM**

The ornamental design for a wooden peddle trash can, as shown and described.

**DESCRIPTION**

FIG. 1 is a front elevational view of the wooden peddle trash can showing my new design;  
FIG. 2 is a rear elevational view thereof;  
FIG. 3 is a left side elevational view thereof;  
FIG. 4 is a right side elevational view thereof;  
FIG. 5 is a top plan view thereof;  
FIG. 6 is a bottom plan view thereof;  
FIG. 7 is an isometric view thereof; and,  
FIG. 8 is an exploded perspective view thereof.

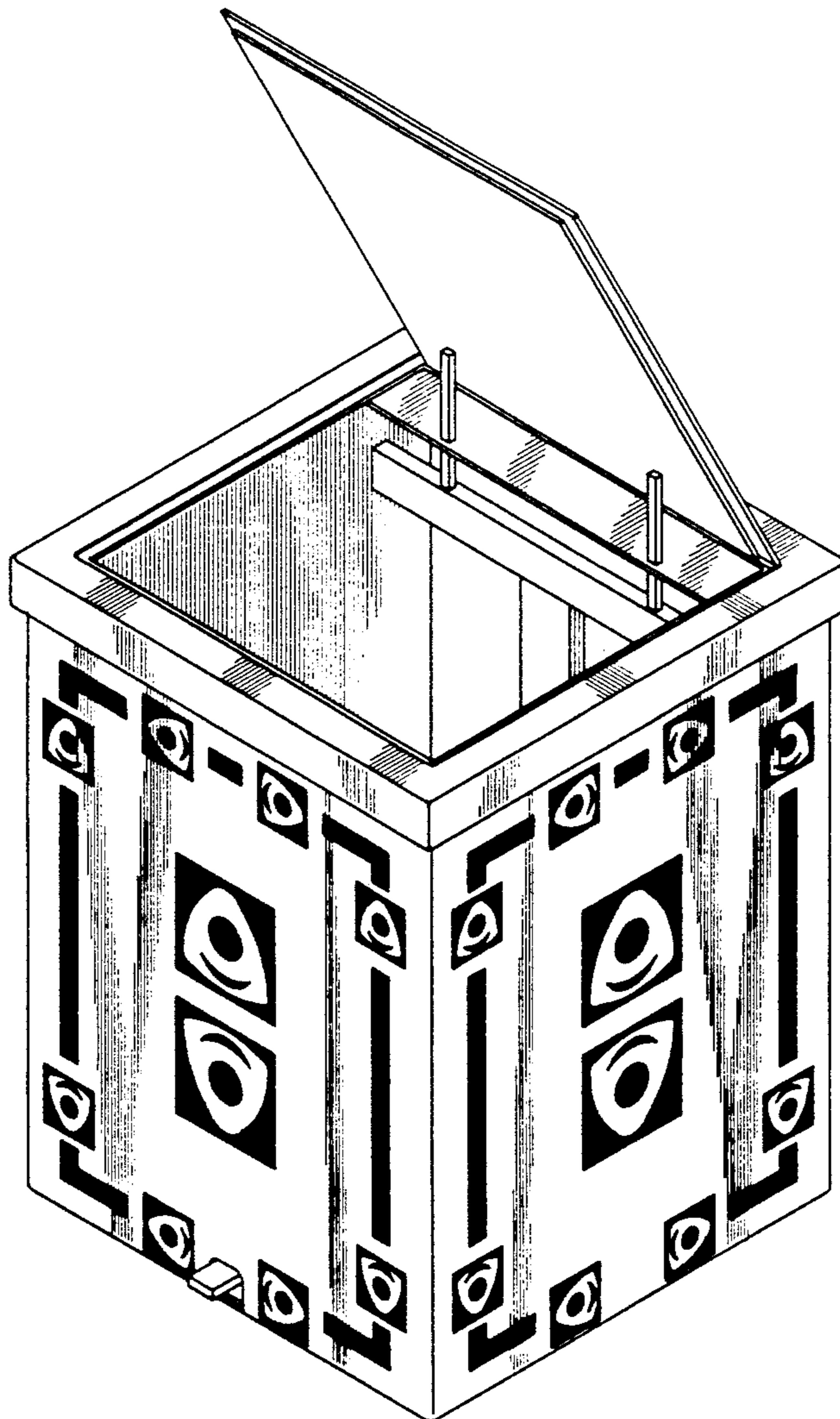


FIG. 1

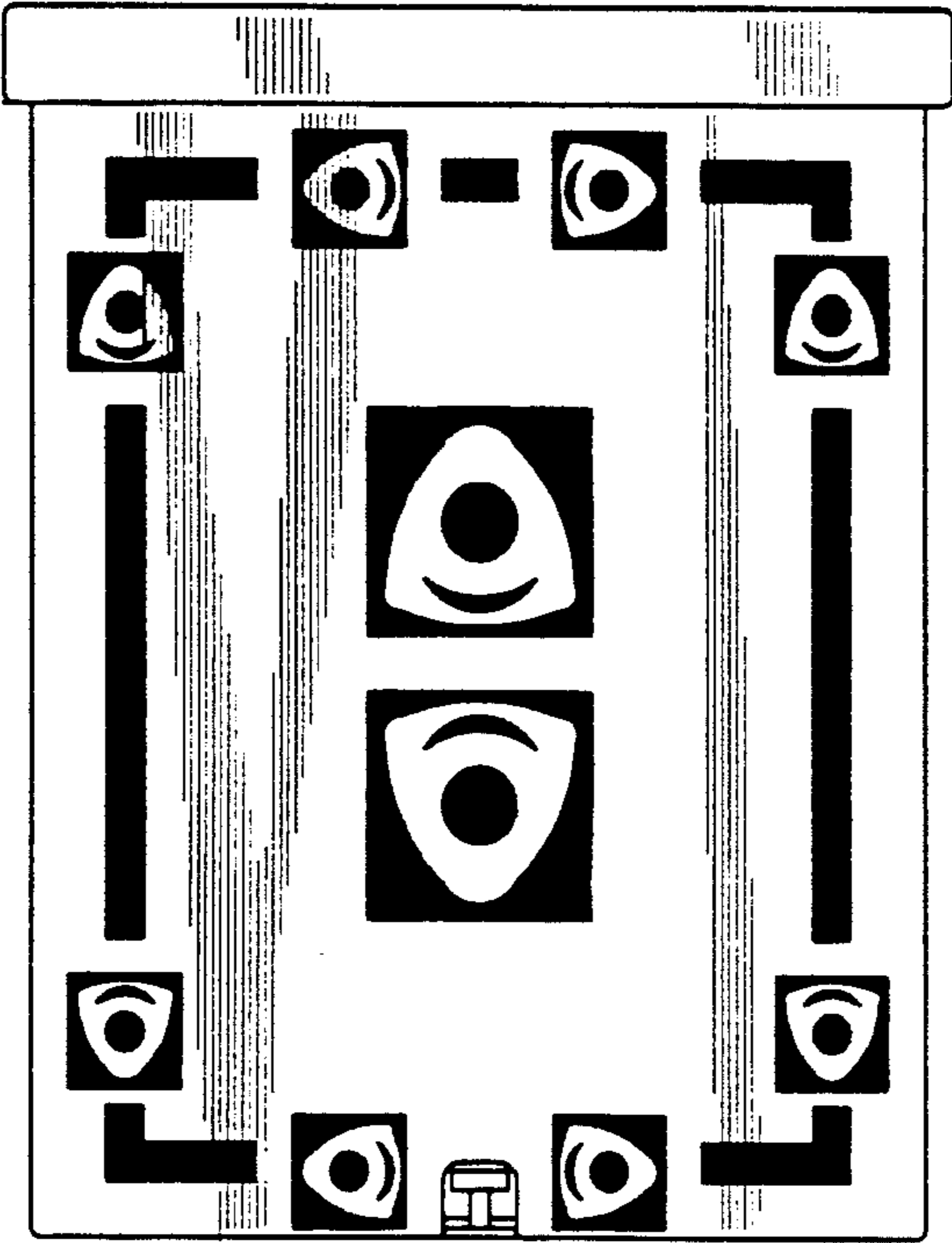


FIG. 2

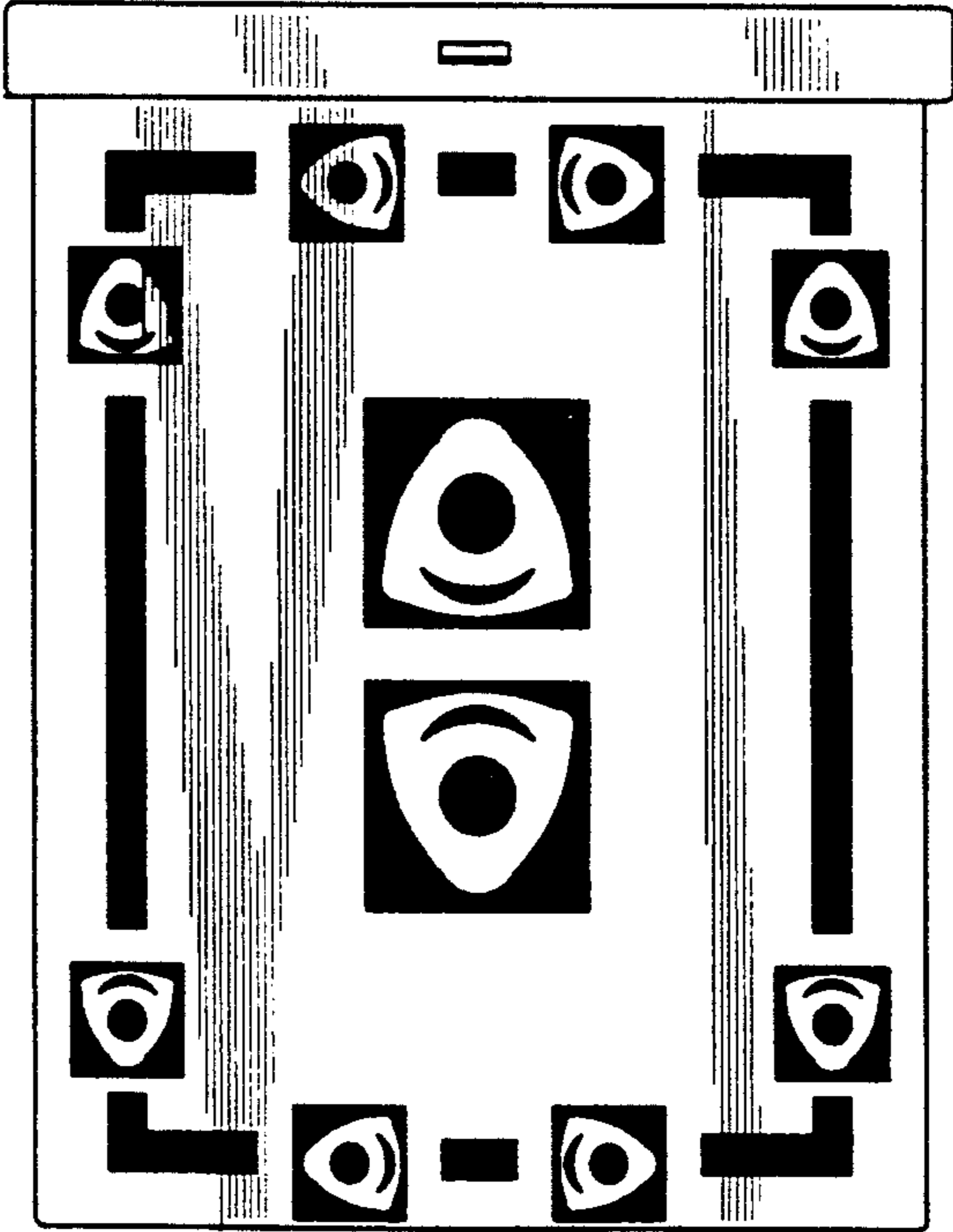


FIG. 3

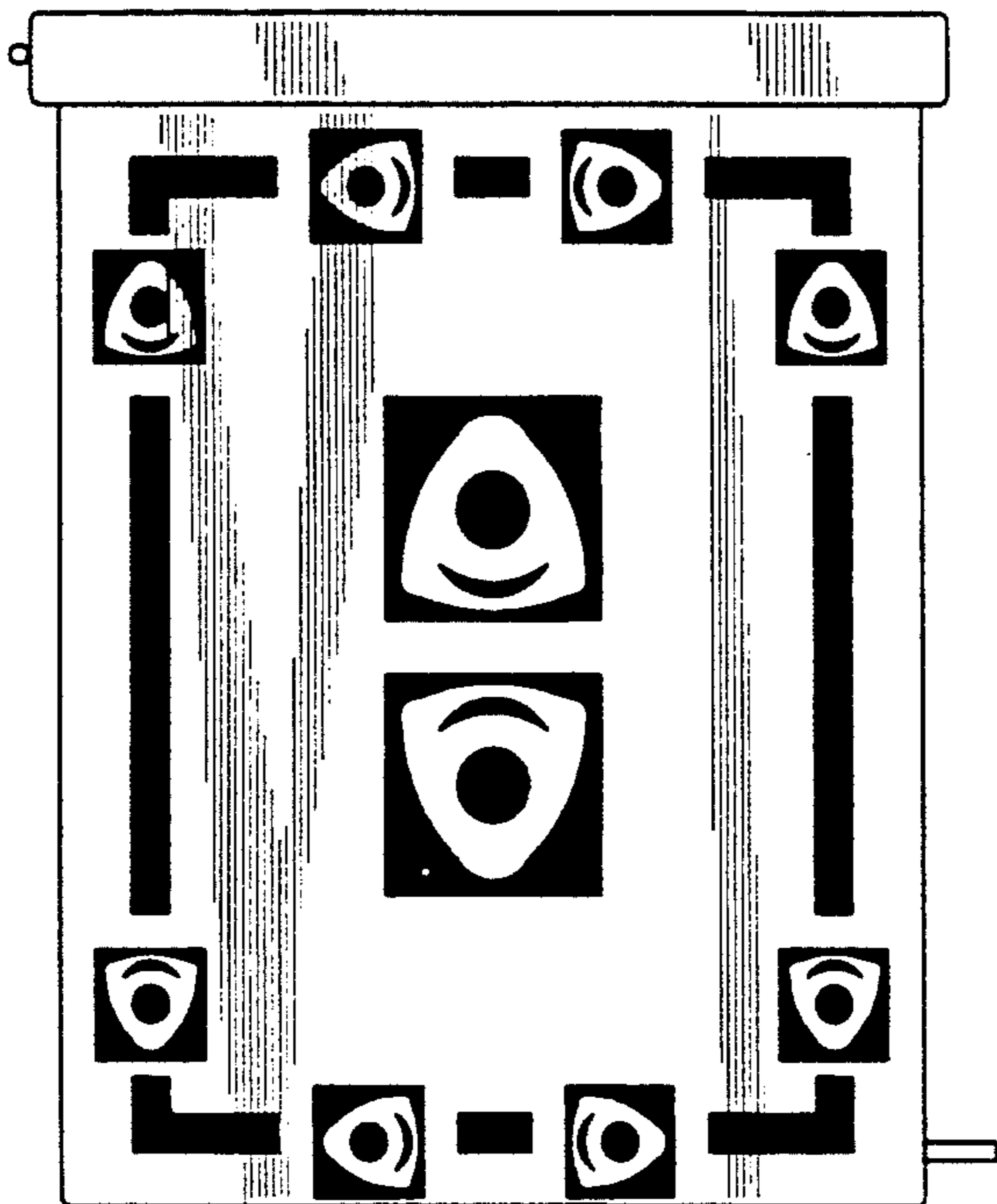


FIG. 4

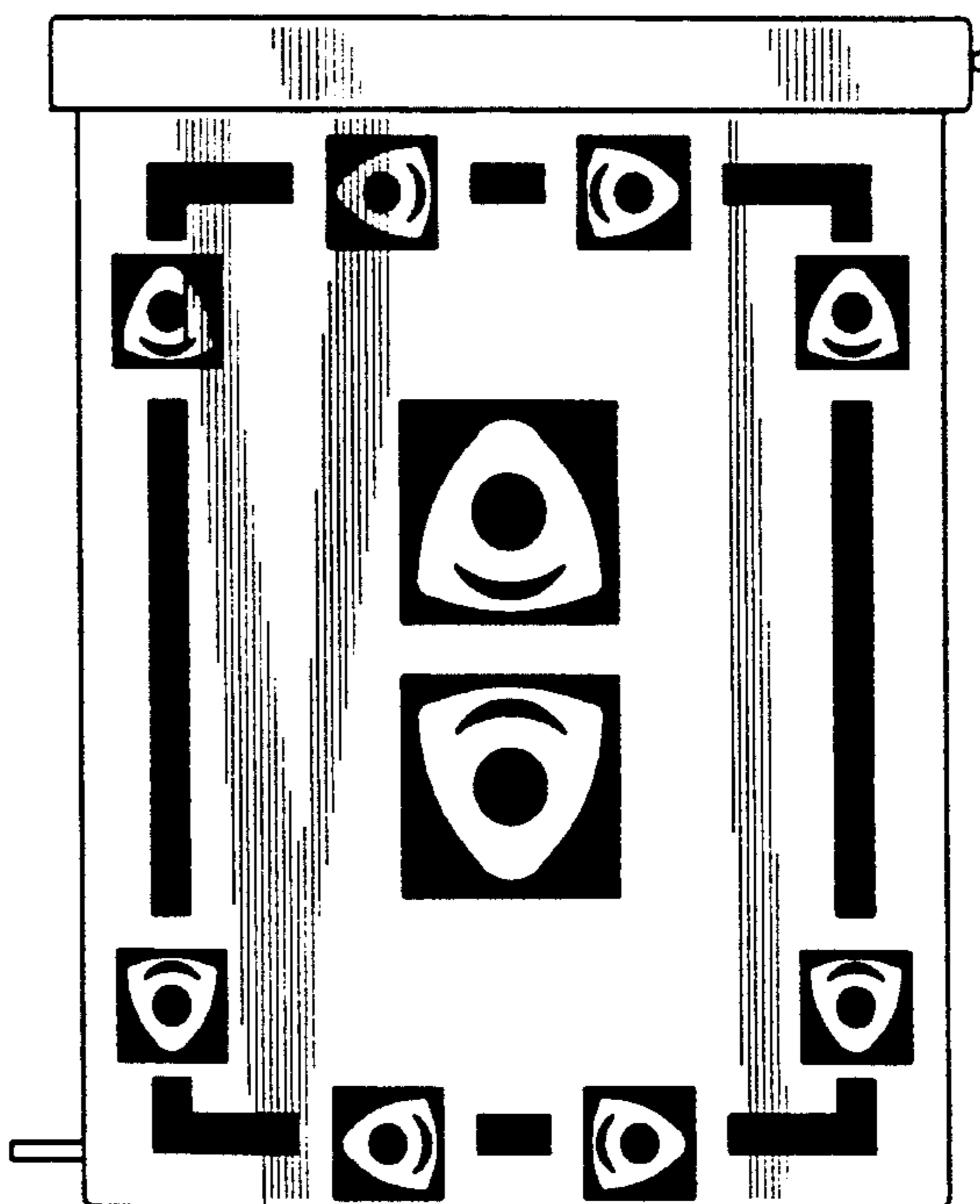


FIG. 5

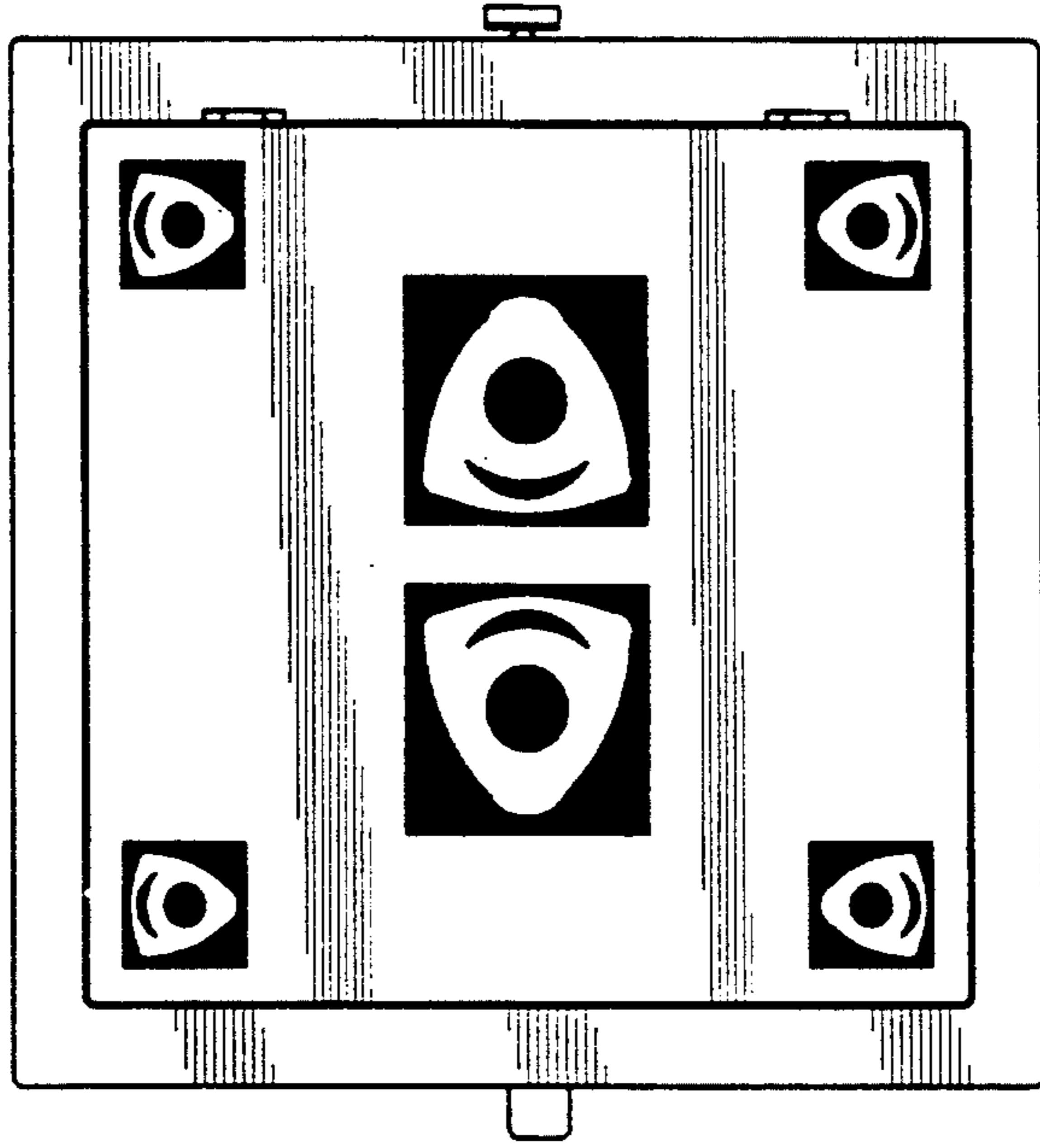


FIG. 6

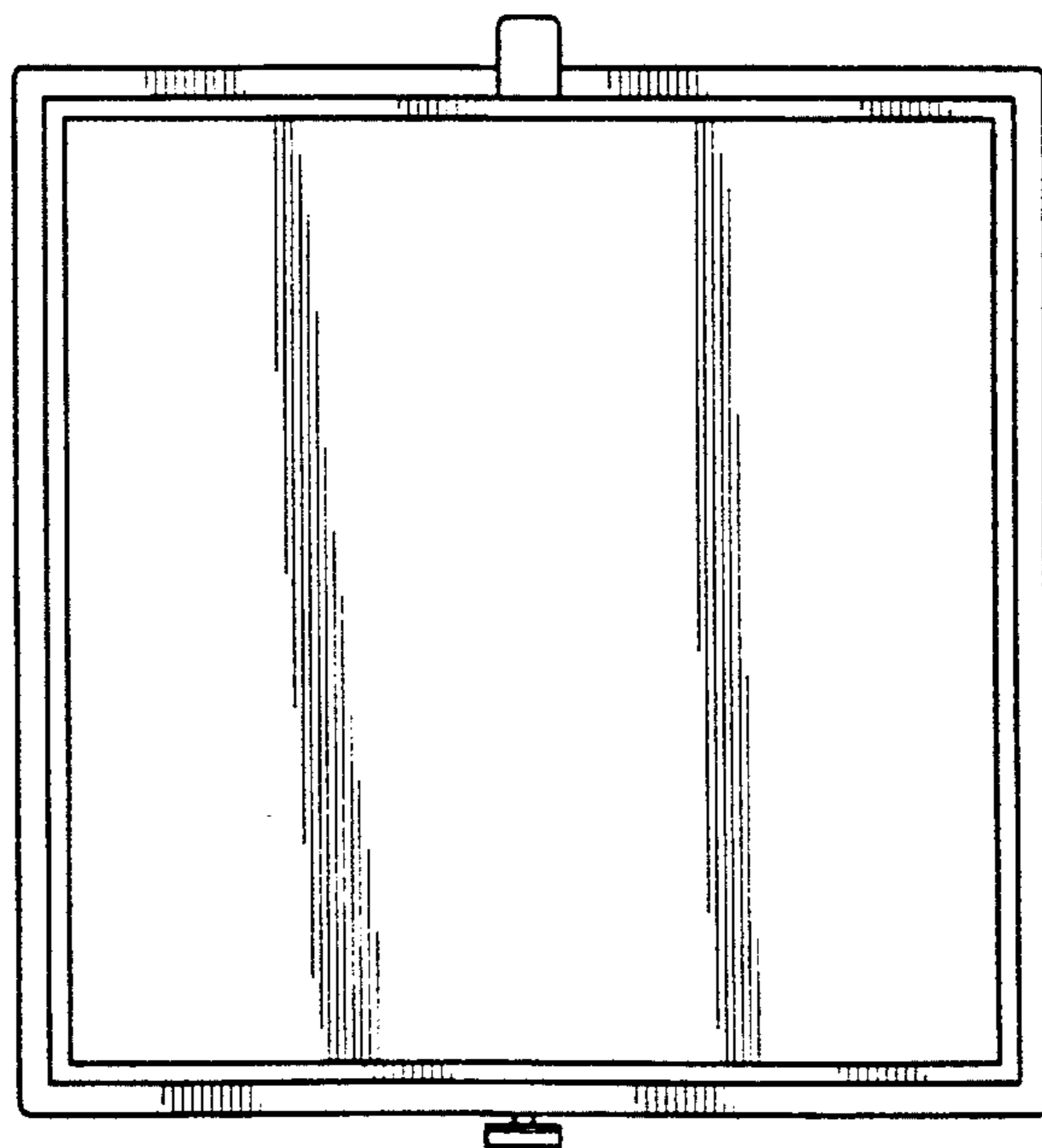


FIG. 7

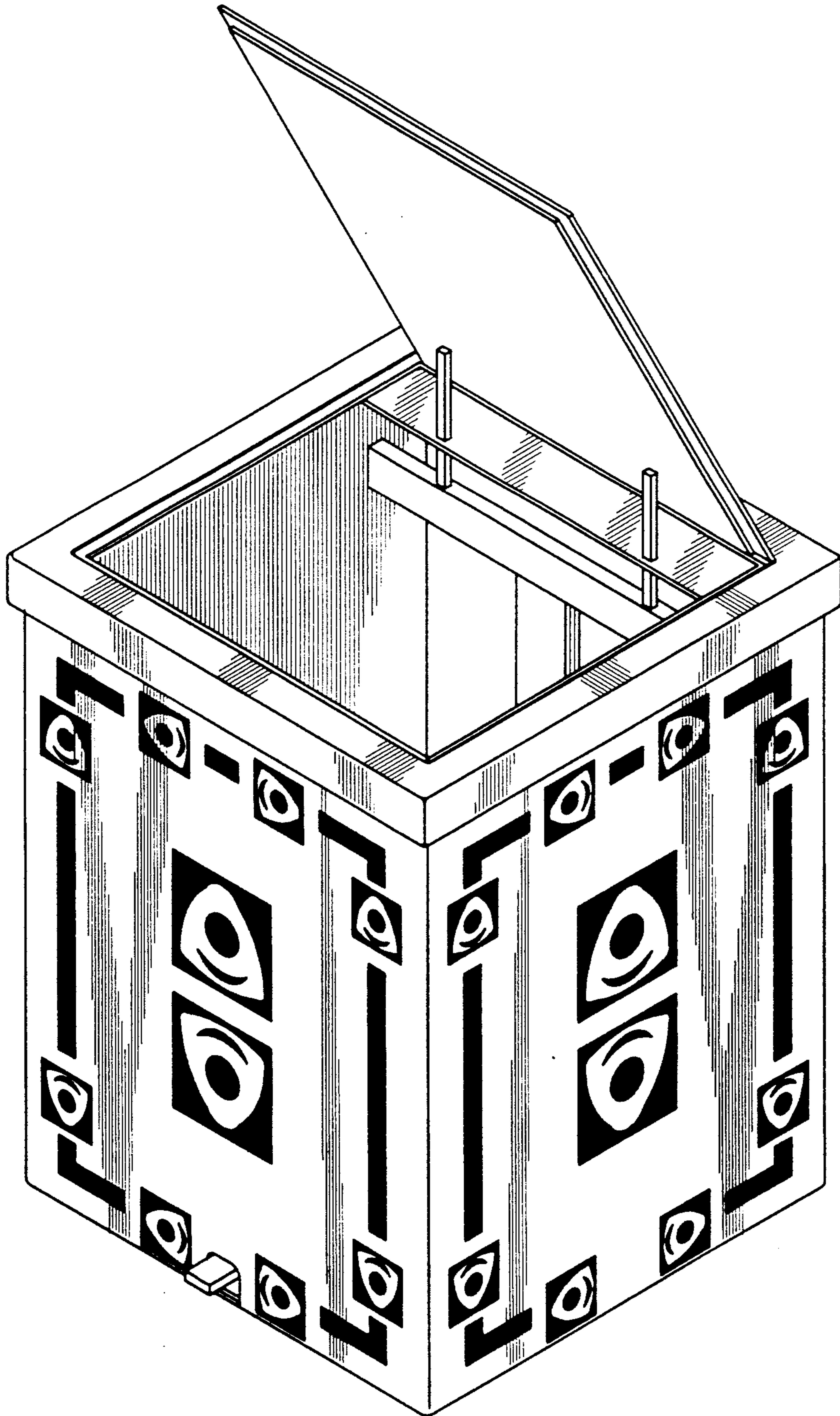


FIG. 8

