



US00D346052S

United States Patent [19]

[11] Patent Number: Des. 346,052

Saunders et al.

[45] Date of Patent: ** Apr. 12, 1994

[54] VACUUM CLEANER

4,648,149	3/1987	Hampton et al.	15/333
4,720,887	1/1988	Bosyj et al.	.
4,748,714	6/1988	Tschudy	15/332

[75] Inventors: **Craig M. Saunders**, Rocky River;
Terry L. Zahuranec, Hudson; **James J. Kopco**, Mentor-on-the-Lake;
Michael F. Wright, Cuyahoga Falls;
Paul D. Stephens, Cleveland Heights;
Richard C. Farone, Wickliffe, all of Ohio

[73] Assignee: **Royal Appliance Mfg. Co.**,
 Cleveland, Ohio

[**] Term: **14 Years**

[21] Appl. No.: **818,986**

[22] Filed: **Jan. 10, 1992**

[52] U.S. Cl. **D32/22**

[58] Field of Search 15/323-326,
 15/327.6, 331-336, 337, 347, 350-351, 361, 377,
 412, 413, 415.1; D32/21-22, 31-34

[56] **References Cited**

U.S. PATENT DOCUMENTS

D. 292,335	10/1987	Wareham et al.	D32/22
D. 293,727	1/1988	Wareham et al.	.
D. 301,648	6/1989	Kieft	D32/22
D. 305,169	12/1989	Essex et al.	.
D. 307,069	4/1990	Kieft	D32/22
D. 313,681	1/1991	McKnight	D32/22
4,621,390	11/1986	Hampton et al.	.

OTHER PUBLICATIONS

Service Merchandise, Dec. 20, 1992, p. 36, "Dirt Devil upright vac. cleaners".
 Service Merchandise, Dec. 20, 1992, p. 39, "Oreck XL uprt. vac. cleaner".
 Service Merchandise, Dec. 20, 1992, p. 38, "Eureka upright vac. cleaners".
 Whirlpool CVR 2000 High Speed upright, no page #,
 "Whirlpool CVR 2000 high speed upright".

Primary Examiner—Ruth McInroy
Attorney, Agent, or Firm—Fay, Sharpe, Beall, Fagan,
 Minnich & McKee

[57] **CLAIM**

The ornamental design for a vacuum cleaner, as shown and described.

DESCRIPTION

FIG. 1 is a front perspective view of a vacuum cleaner showing our new design;
 FIG. 2 is a front elevational view thereof;
 FIG. 3 is a left side elevational view thereof;
 FIG. 4 is a right side elevational view thereof;
 FIG. 5 is a rear elevational view thereof;
 FIG. 6 is a top plan view thereof; and,
 FIG. 7 is a bottom plan view thereof.

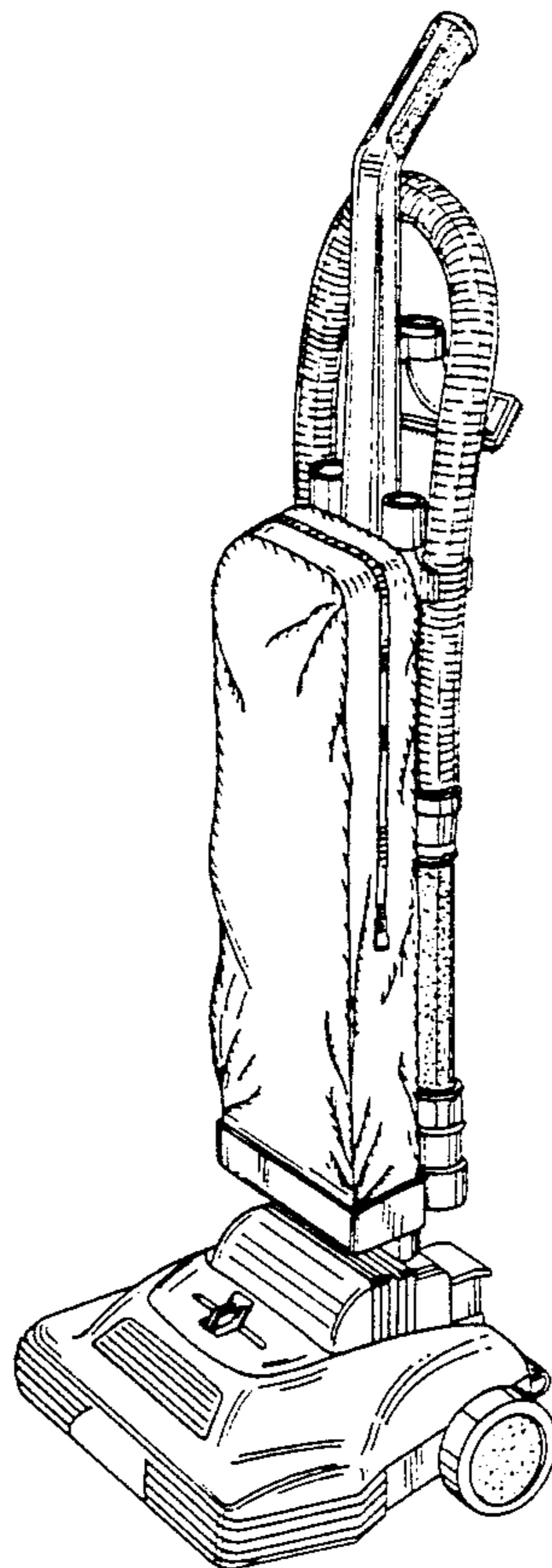
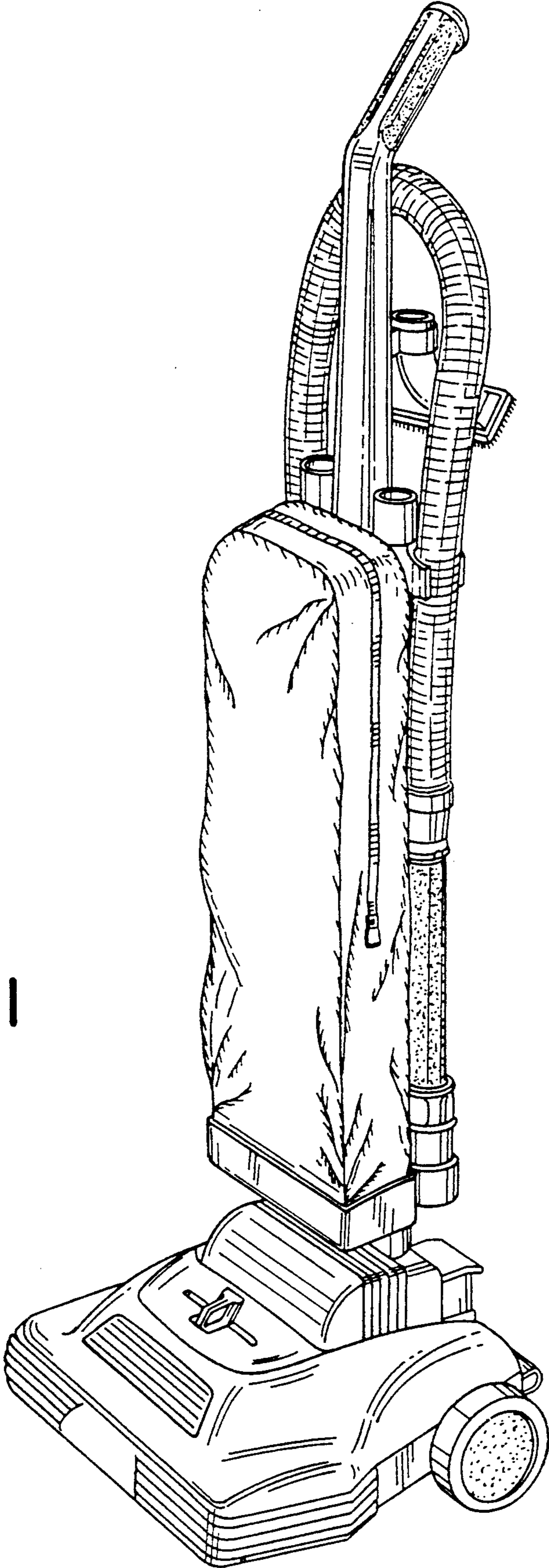


FIG. 1



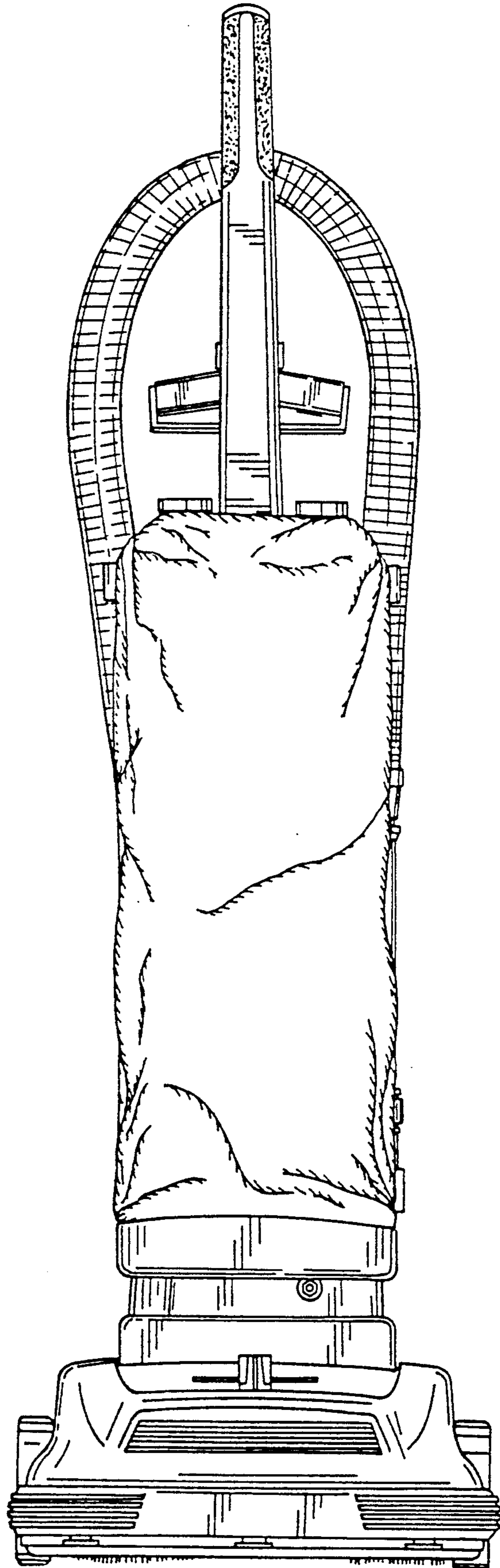


FIG. 2

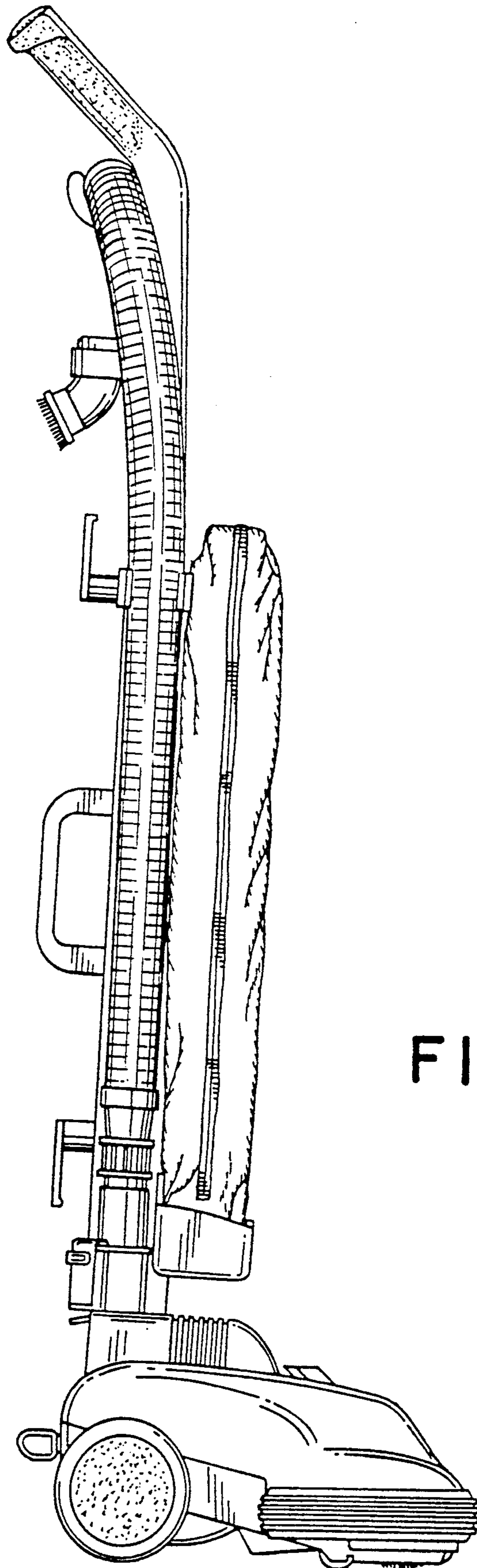
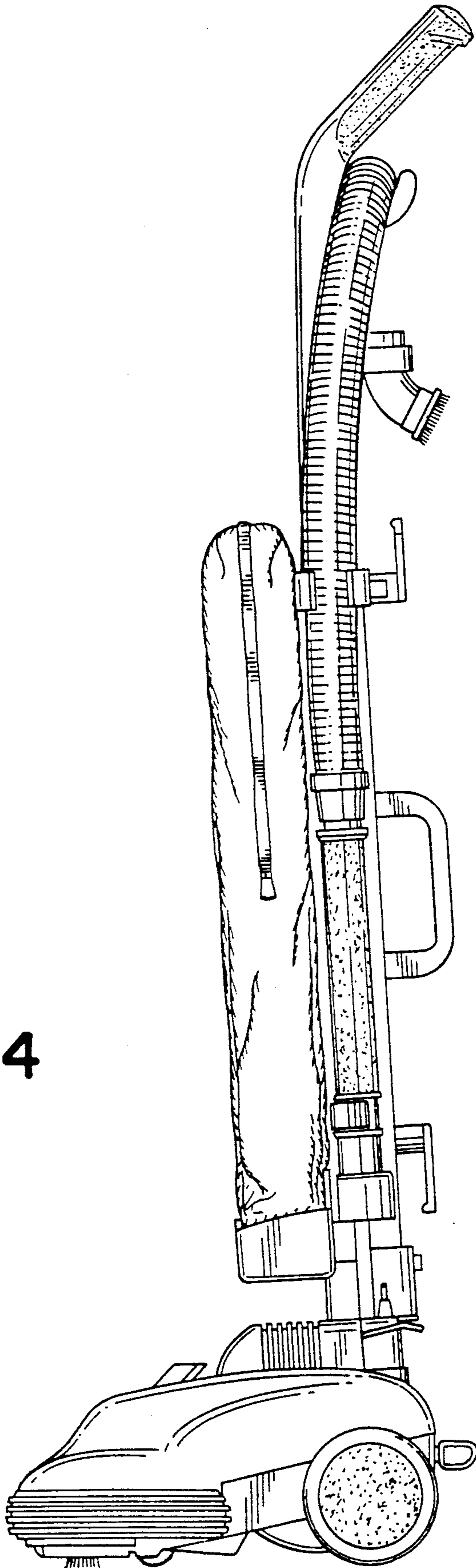


FIG. 3

FIG. 4



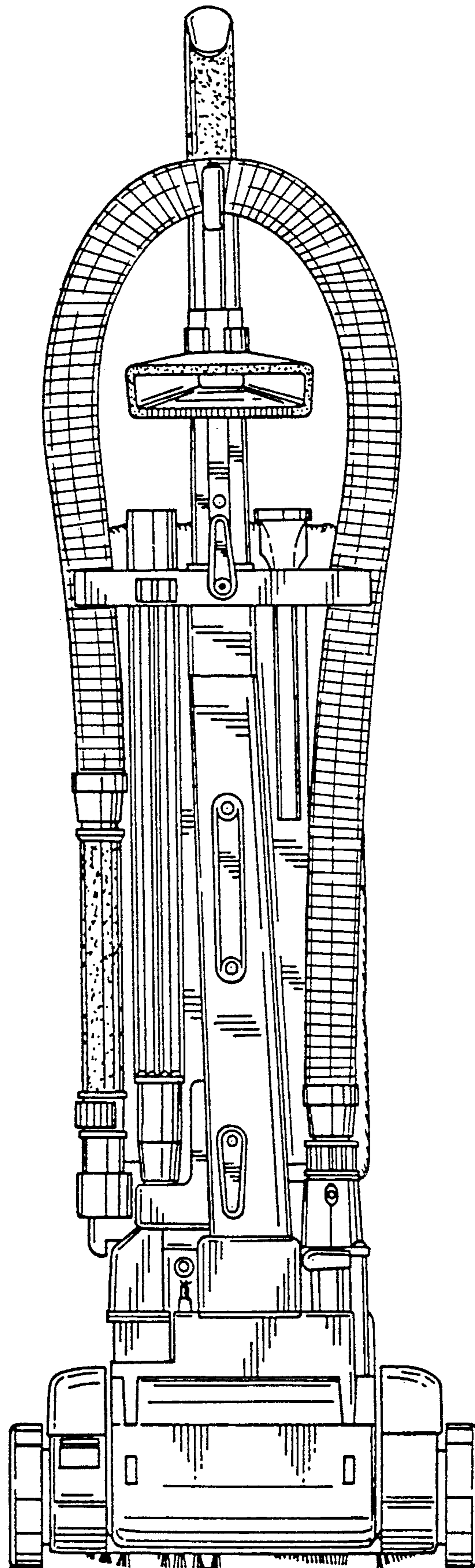


FIG. 5

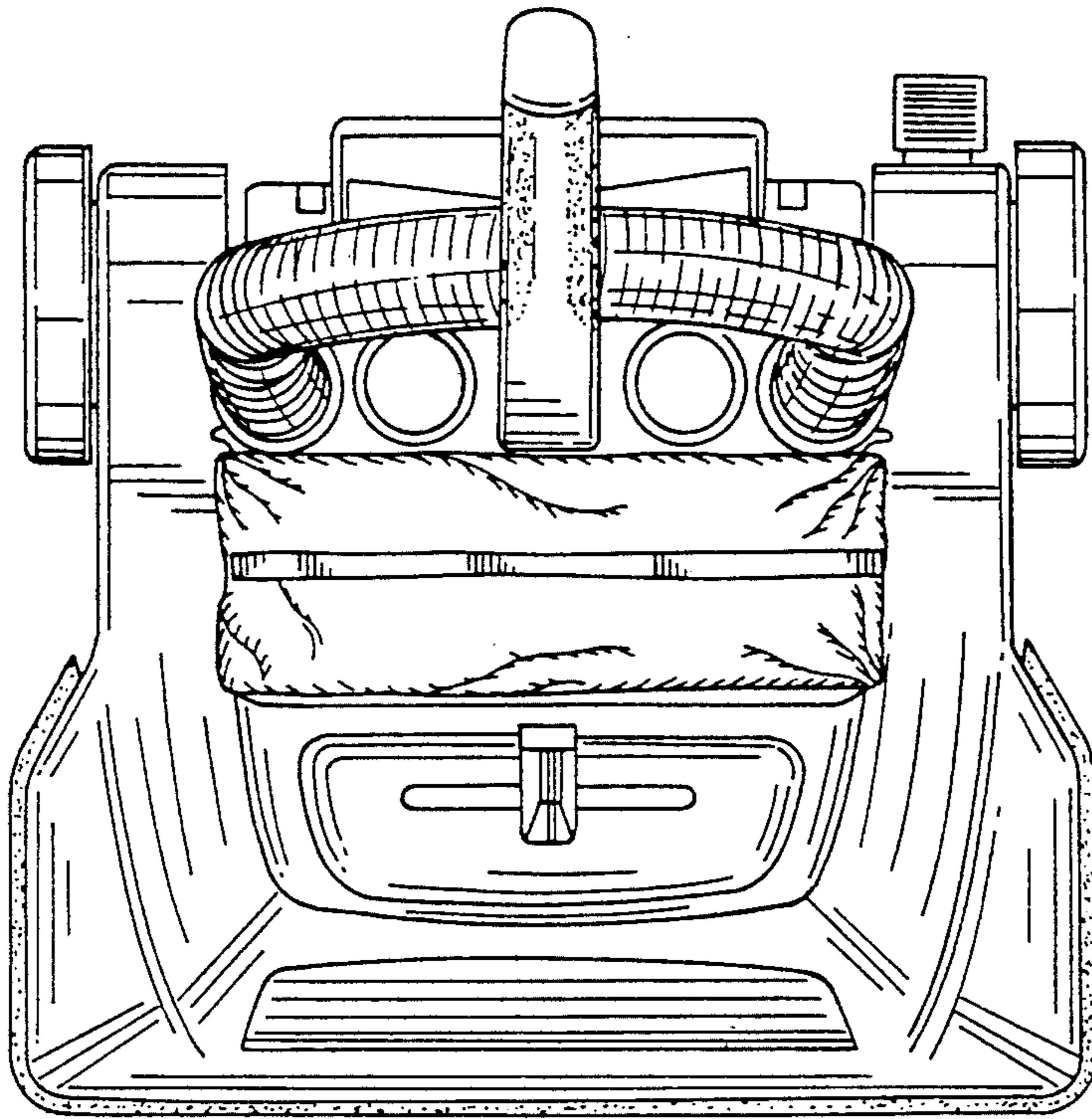


FIG. 6

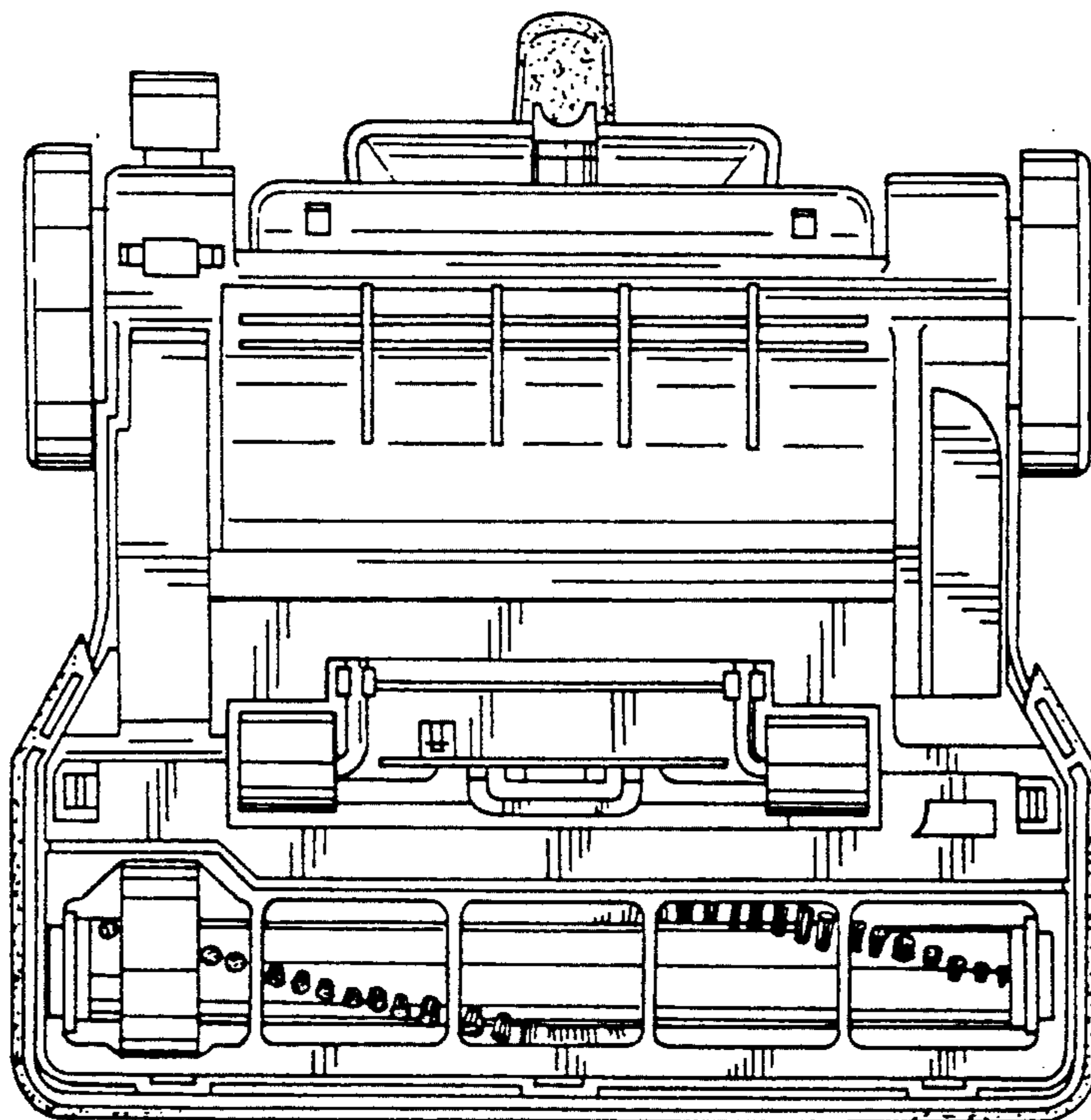


FIG. 7