



US00D346051S

United States Patent [19]

[11] Patent Number: **Des. 346,051**

Freiwald et al.

[45] Date of Patent: **** Apr. 12, 1994**

[54] **VEHICLE VACUUM CLEANER**

4,580,309 4/1986 Ogden 15/314
5,004,428 4/1991 Hayden 15/314

[76] Inventors: **Austin L. Freiwald; Ella M. Freiwald,**
both of 919 Yorkhaven Rd.,
Cincinnati, Ohio 45240

Primary Examiner—Ruth McInroy
Attorney, Agent, or Firm—Hugh E. Smith

[**] Term: **14 Years**

[57] **CLAIM**

[21] Appl. No.: **785,705**

The ornamental design for a vehicle vacuum cleaner, as shown and described.

[22] Filed: **Oct. 31, 1991**

[52] U.S. Cl. **D32/21**

DESCRIPTION

[58] **Field of Search** 15/301, 312.1, 312.2,
15/313, 314, 315, 327.1, 327.2, 327.7, 344;
D32/1, 4, 21, 23, 31, 24

FIG. 1 is a front elevational view of a vehicle vacuum cleaner showing my new design;
FIG. 2 is a rear elevational view thereof;
FIG. 3 is a left side elevational view thereof;
FIG. 4 is a right side elevational view thereof;
FIG. 5 is a top plan view thereof;
FIG. 6 is a bottom plan view thereof; and,
FIG. 7 is a reduced front elevational view thereof, the portion shown in broken lines is for illustrative purposes only and forms no part of the claimed design.

[56] References Cited

U.S. PATENT DOCUMENTS

| | | | | |
|------------|---------|----------|-------|--------|
| D. 98,824 | 3/1936 | Geddes | | D32/24 |
| D. 125,881 | 3/1941 | Barber | | D32/24 |
| D. 170,256 | 8/1953 | Dreyfuss | | D32/24 |
| D. 216,275 | 12/1969 | Johanson | | D32/24 |

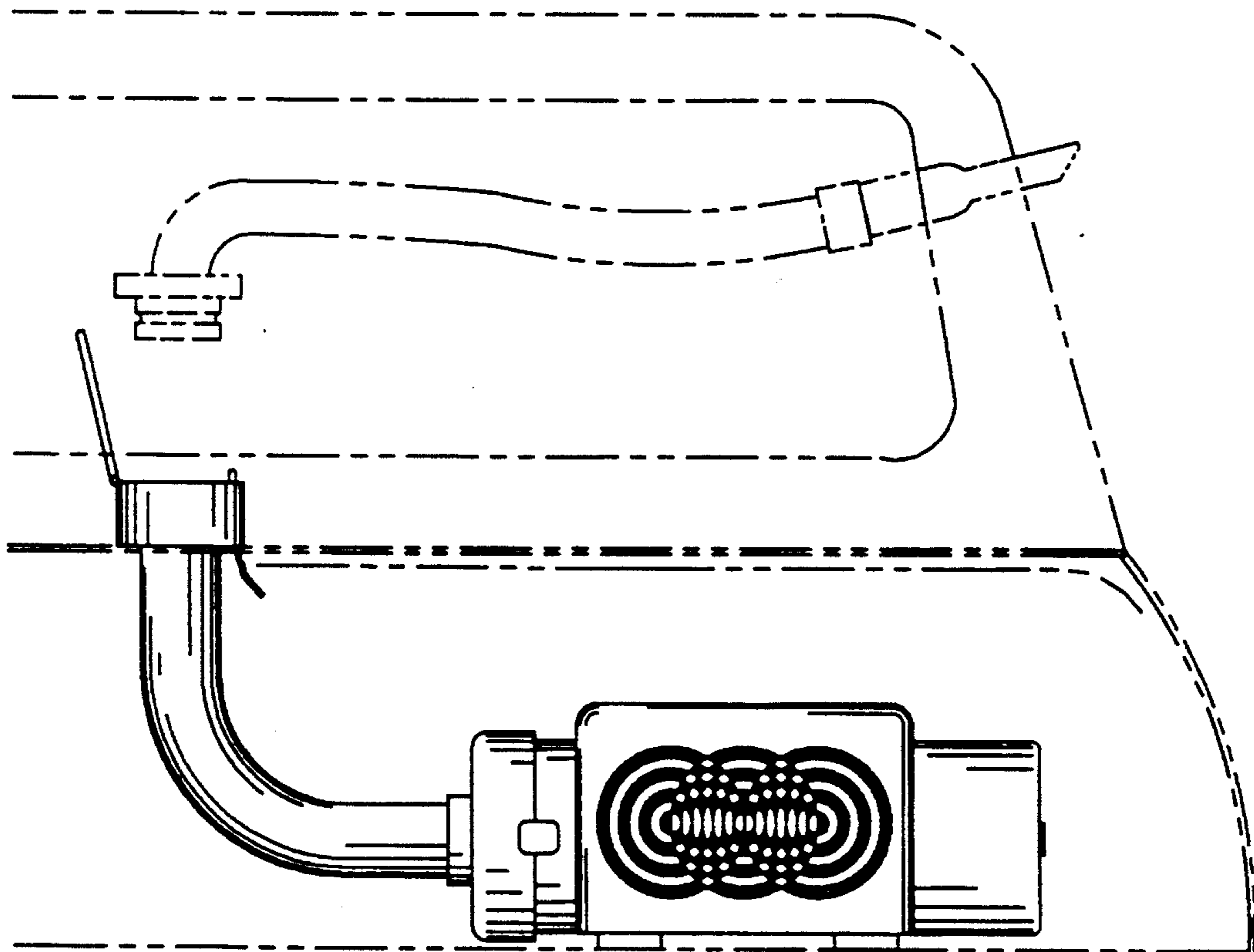


FIG. 1

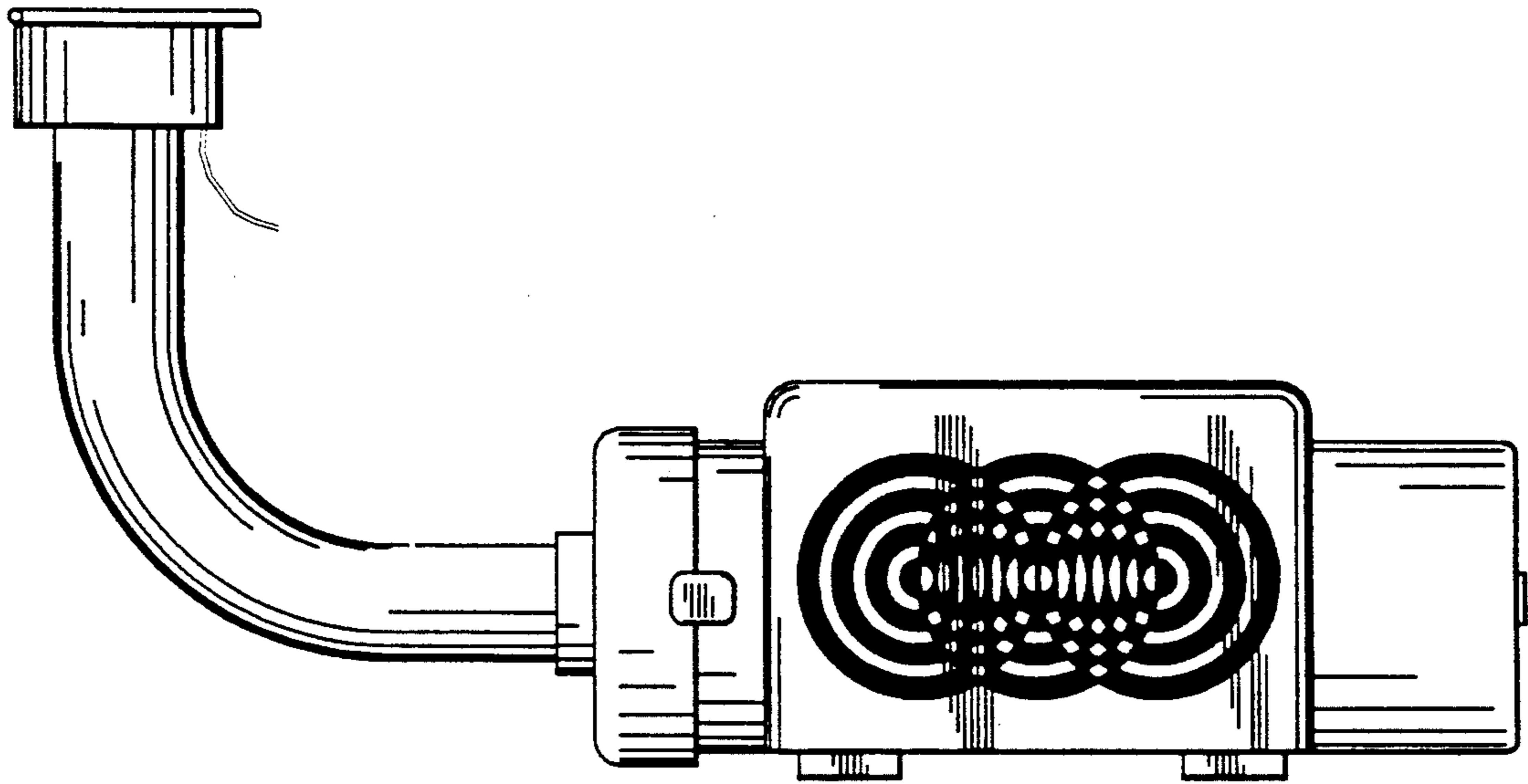


FIG. 2

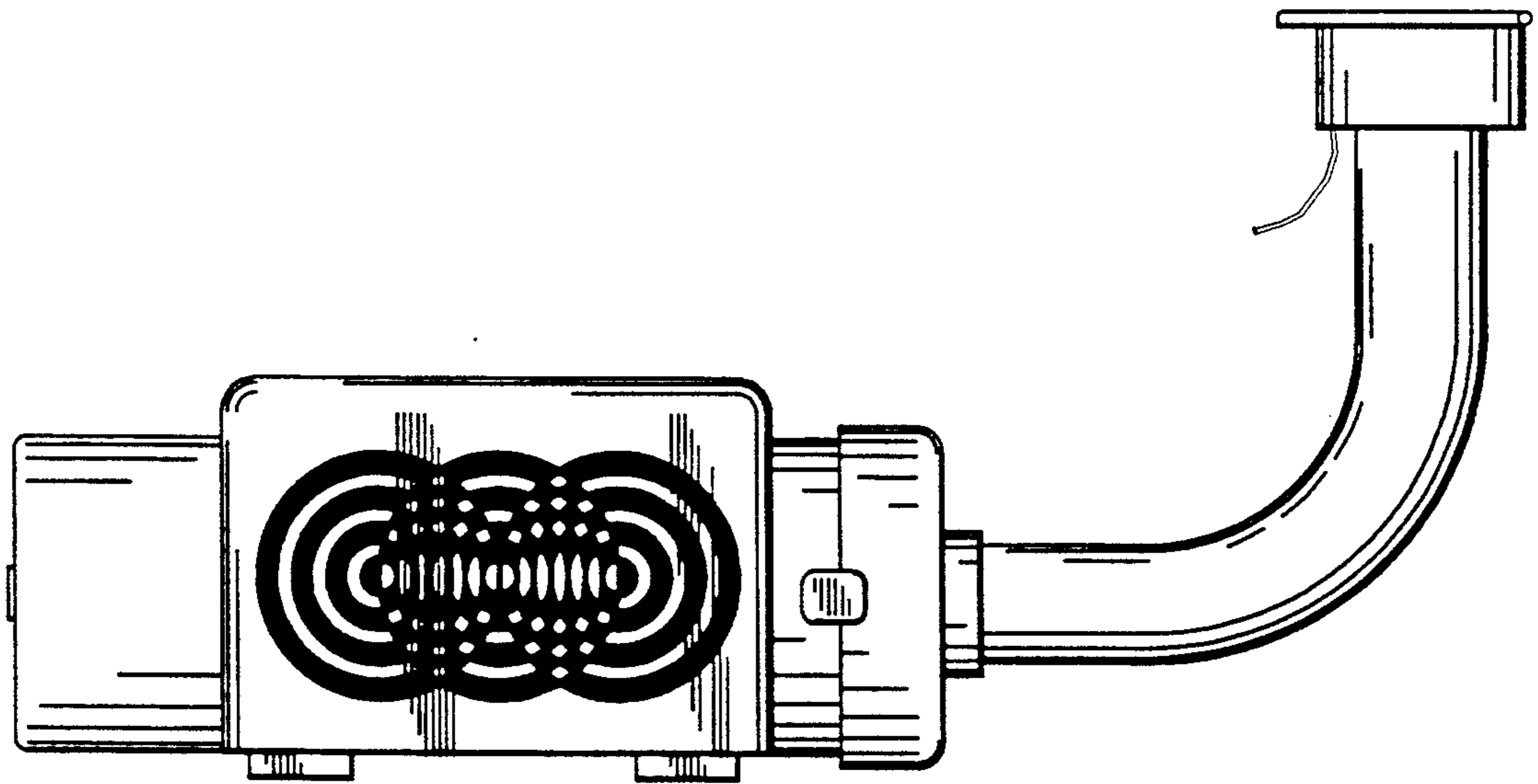


FIG. 3

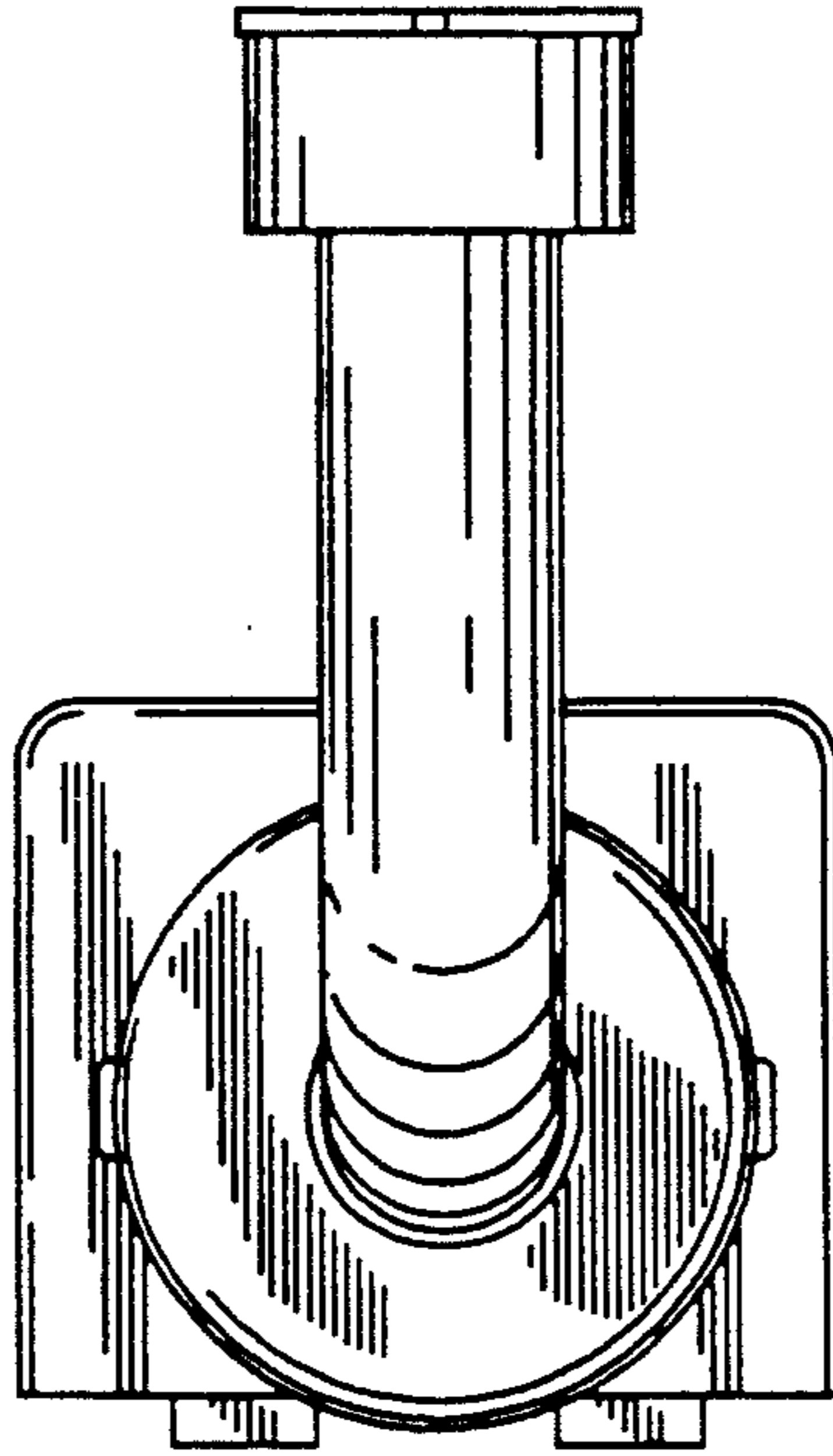


FIG. 4

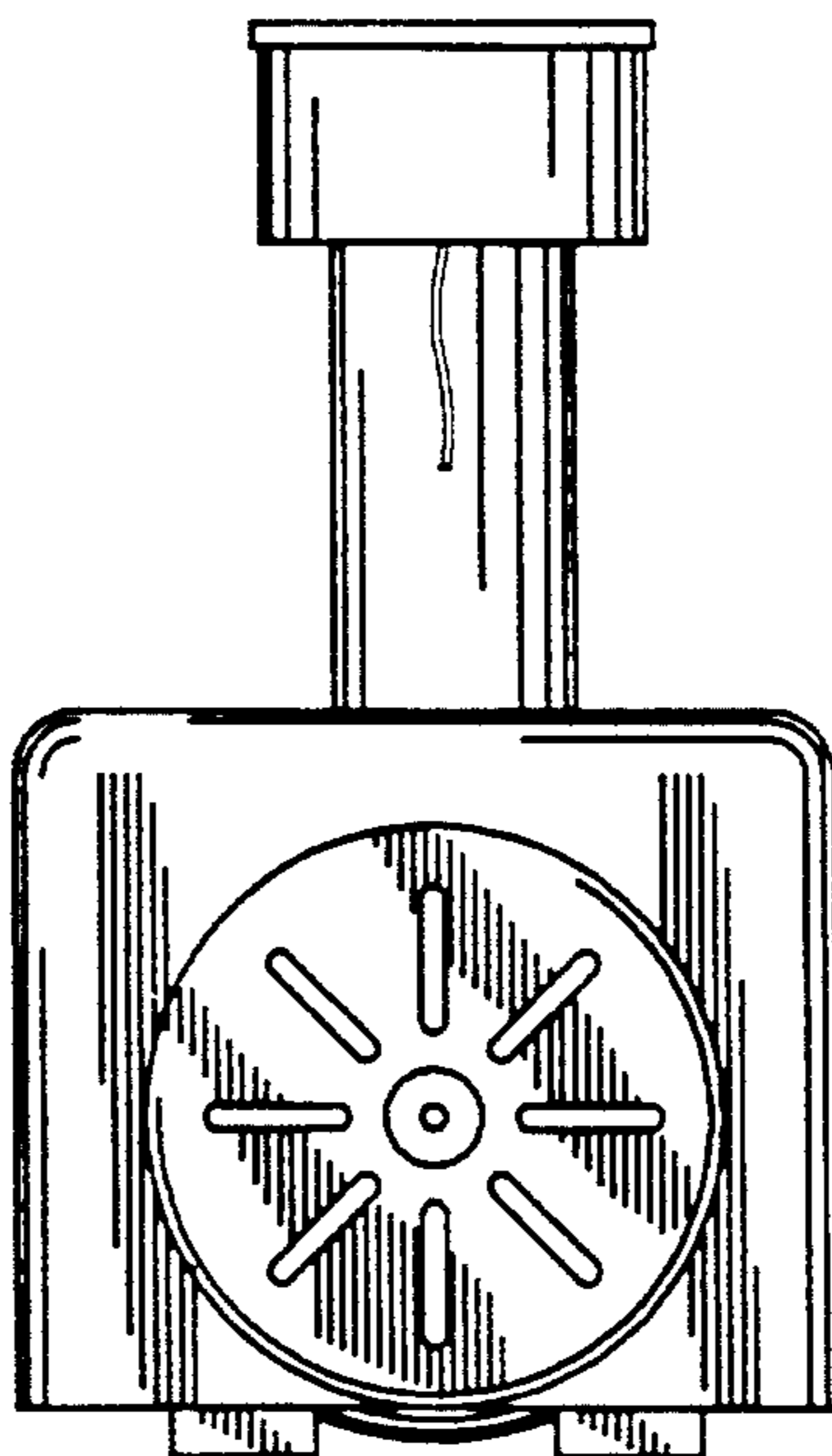


FIG. 5

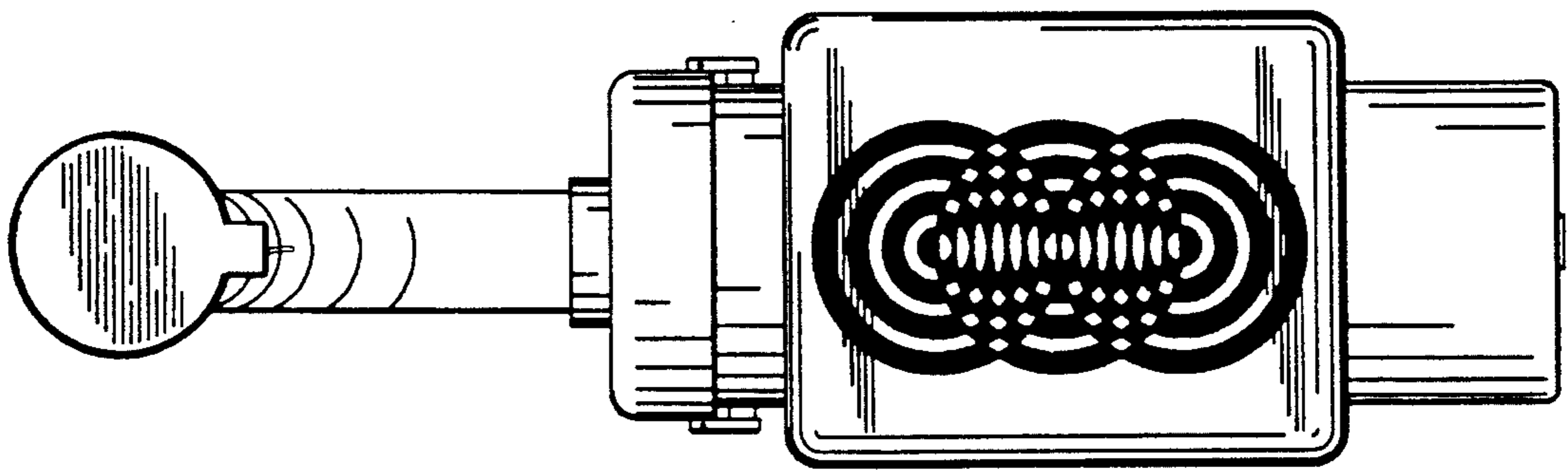


FIG. 6

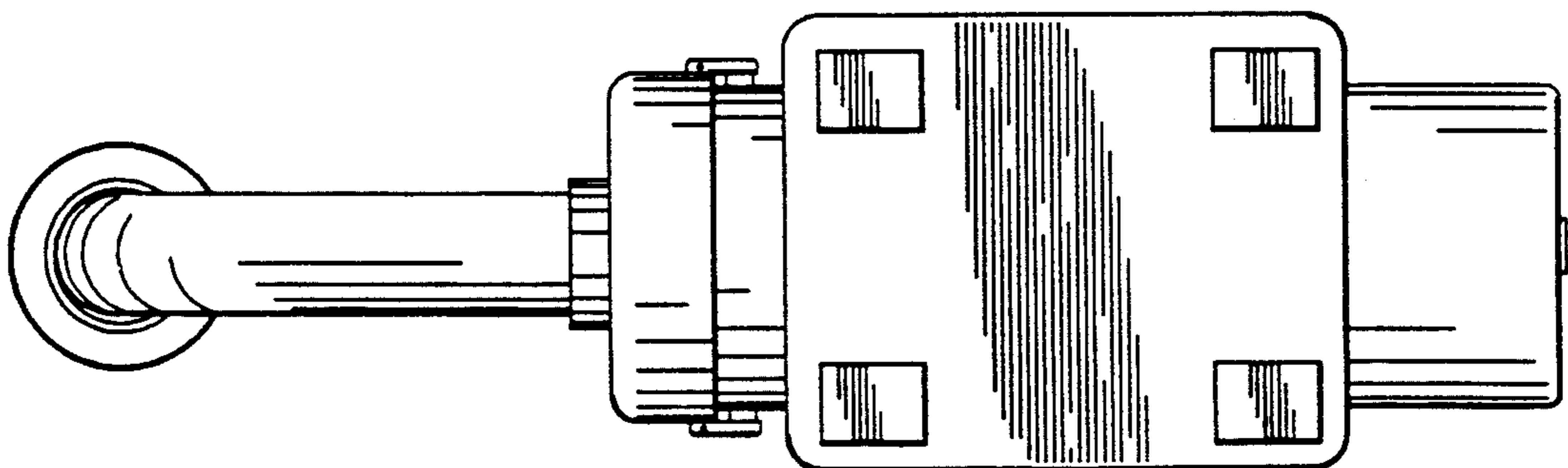


FIG. 7

