



US00D346047S

# United States Patent [19]

[11] Patent Number: **Des. 346,047**

Peterson

[45] Date of Patent: **\*\* Apr. 12, 1994**

[54] **ANIMAL EXERCISING RUN**

1559082 1/1980 United Kingdom ..... 119/109

[76] Inventor: **Clarence E. Peterson, 3745 E. County Line Rd., Hale, Mich. 48739**

*Primary Examiner*—A. Hugo Word  
*Assistant Examiner*—CathyAnne MacCormac  
*Attorney, Agent, or Firm*—Terry M. Gernstein

[\*\*] Term: **14 Years**

[57] **CLAIM**

[21] Appl. No.: **778,623**

The ornamental design for a animal exercising run, as shown and described.

[22] Filed: **Oct. 18, 1991**

[52] U.S. Cl. .... **D30/154**

[58] Field of Search ..... 119/29, 120, 96, 109, 119/103; D30/154

**DESCRIPTION**

[56] **References Cited**

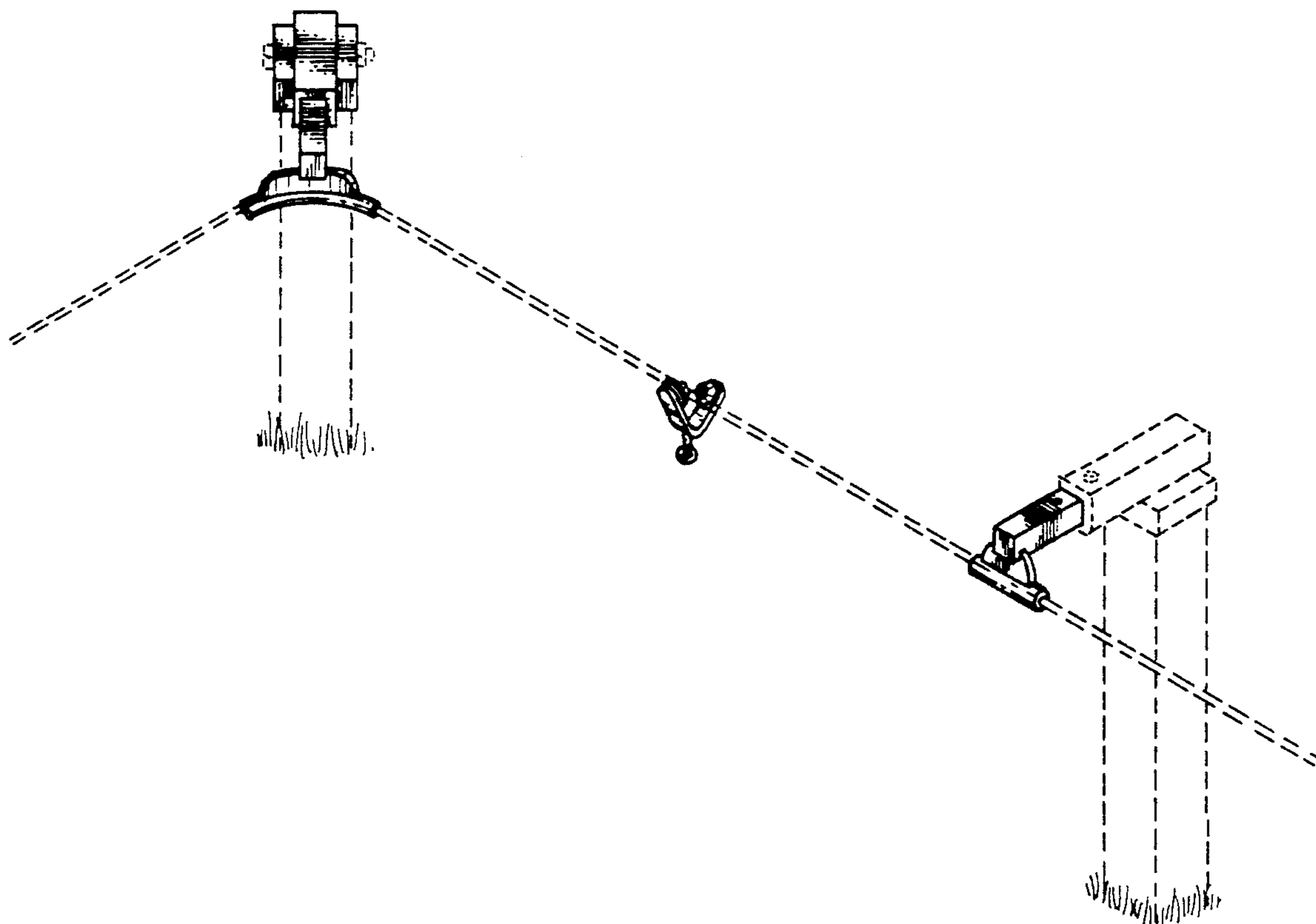
**U.S. PATENT DOCUMENTS**

1,233,649	7/1917	Czaja et al. ....	119/784
3,896,769	7/1975	McGehee .....	119/103
4,134,364	1/1979	Boncela .....	119/109
4,667,625	5/1987	Malone .....	119/120
4,747,372	5/1988	Terry et al. ....	119/782
4,756,707	7/1988	MacLeod et al. ....	119/120
4,862,833	9/1989	Brotz .....	119/785

**FOREIGN PATENT DOCUMENTS**

35387	4/1886	Fed. Rep. of Germany .....	119/120
381541	1/1908	France .....	119/120
111944	12/1924	Switzerland .....	119/109
1657133	6/1991	U.S.S.R. ....	119/109

FIG. 1 is a top, front and side perspective view of an animal exercising run showing my new design, a cable being shown in dotted lines for the sake of convenience; FIG. 2 is a front elevational view thereof; FIG. 3 is a rear elevational view thereof; FIG. 4 is a side elevational view thereof; FIG. 5 is a side elevational view thereof; FIG. 6 is a top plan view thereof; FIG. 7 is a bottom view thereof; FIG. 8 is a perspective view as seen from the side opposite to FIG. 1; FIG. 9 is a perspective view showing the animal exercising run in a set up condition, with the support posts and grass being shown in dotted lines because they do not form part of the invention; and, FIG. 10 is a perspective view thereof as seen from the side of FIG. 6.



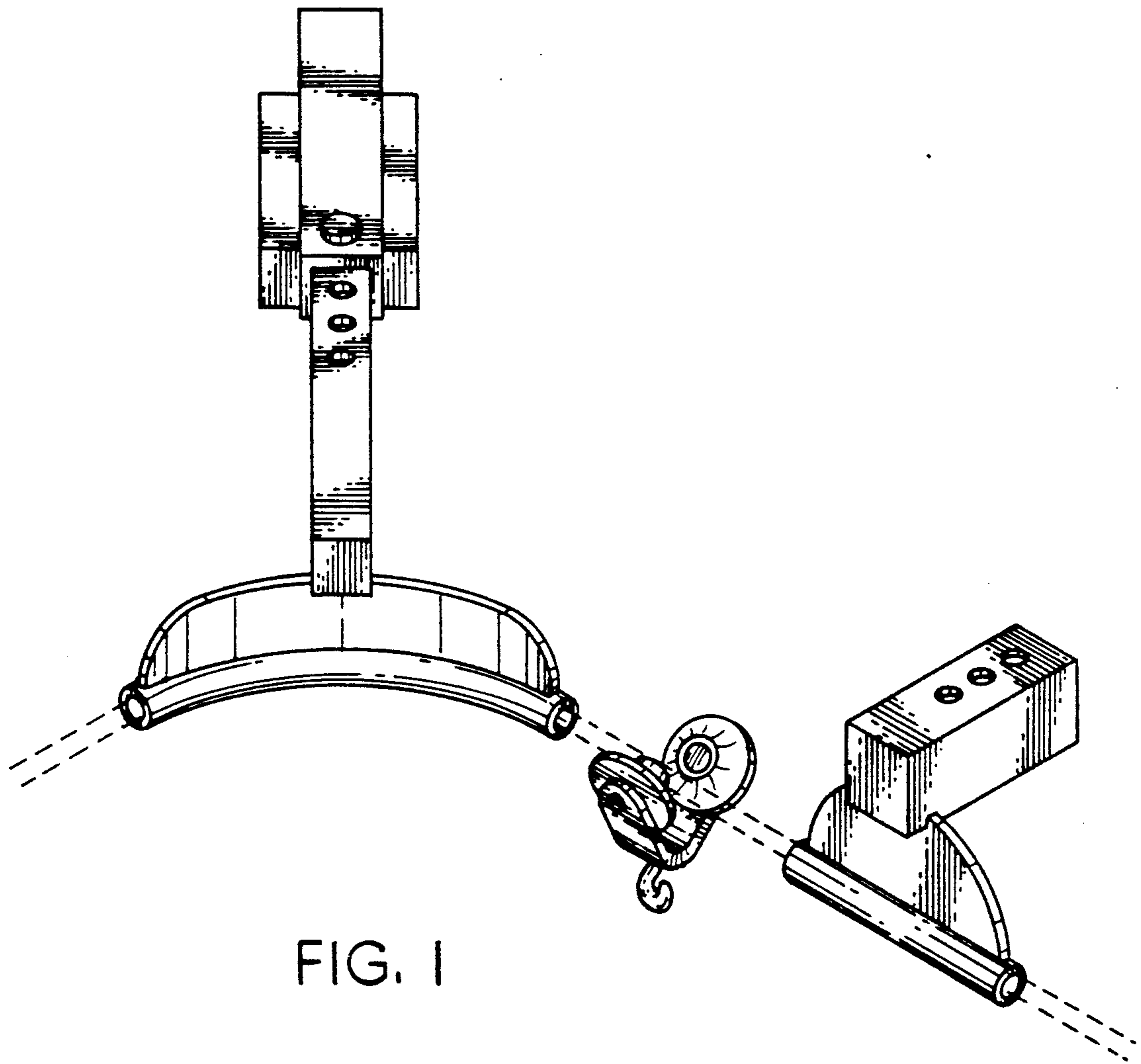


FIG. 1

FIG. 2

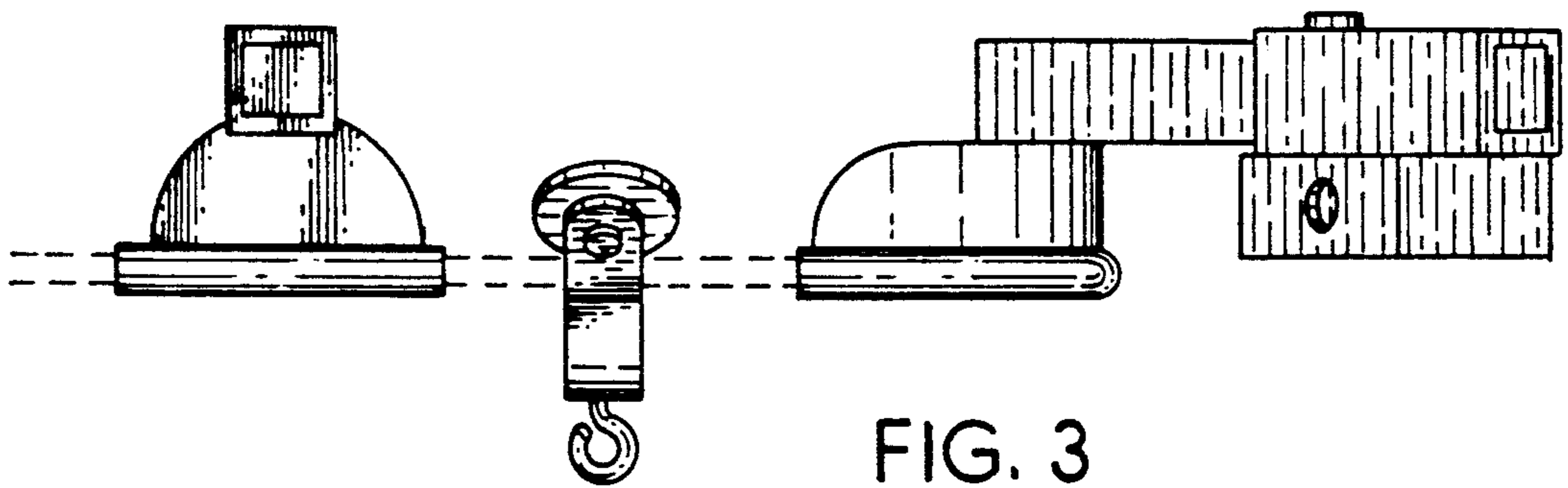
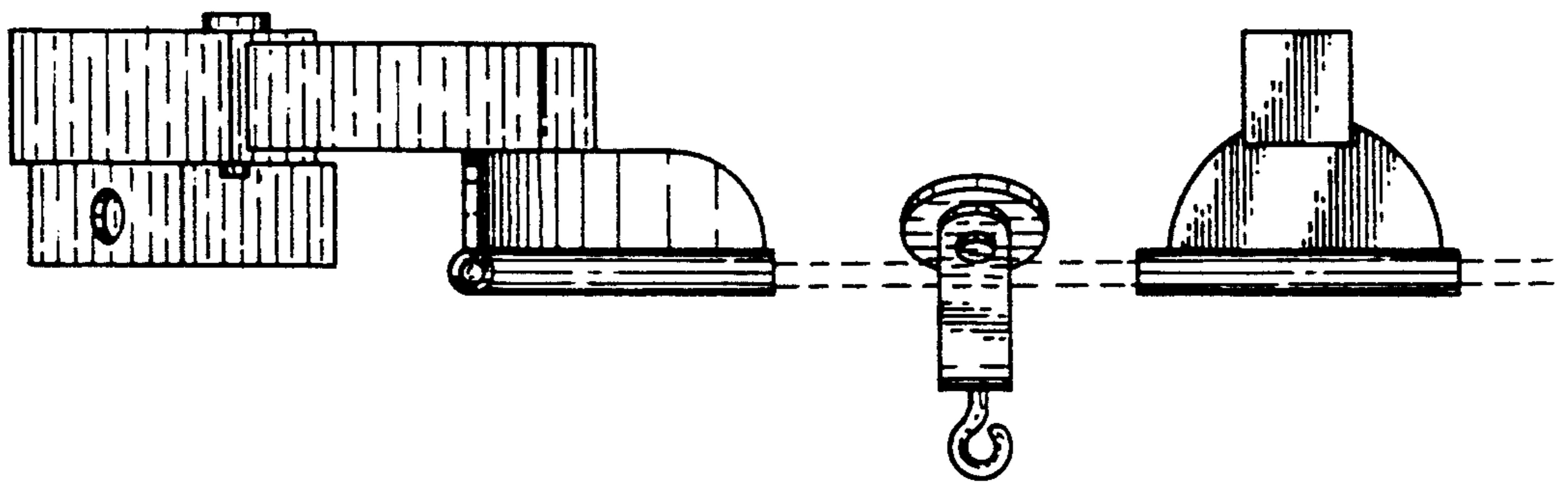


FIG. 3

FIG. 4

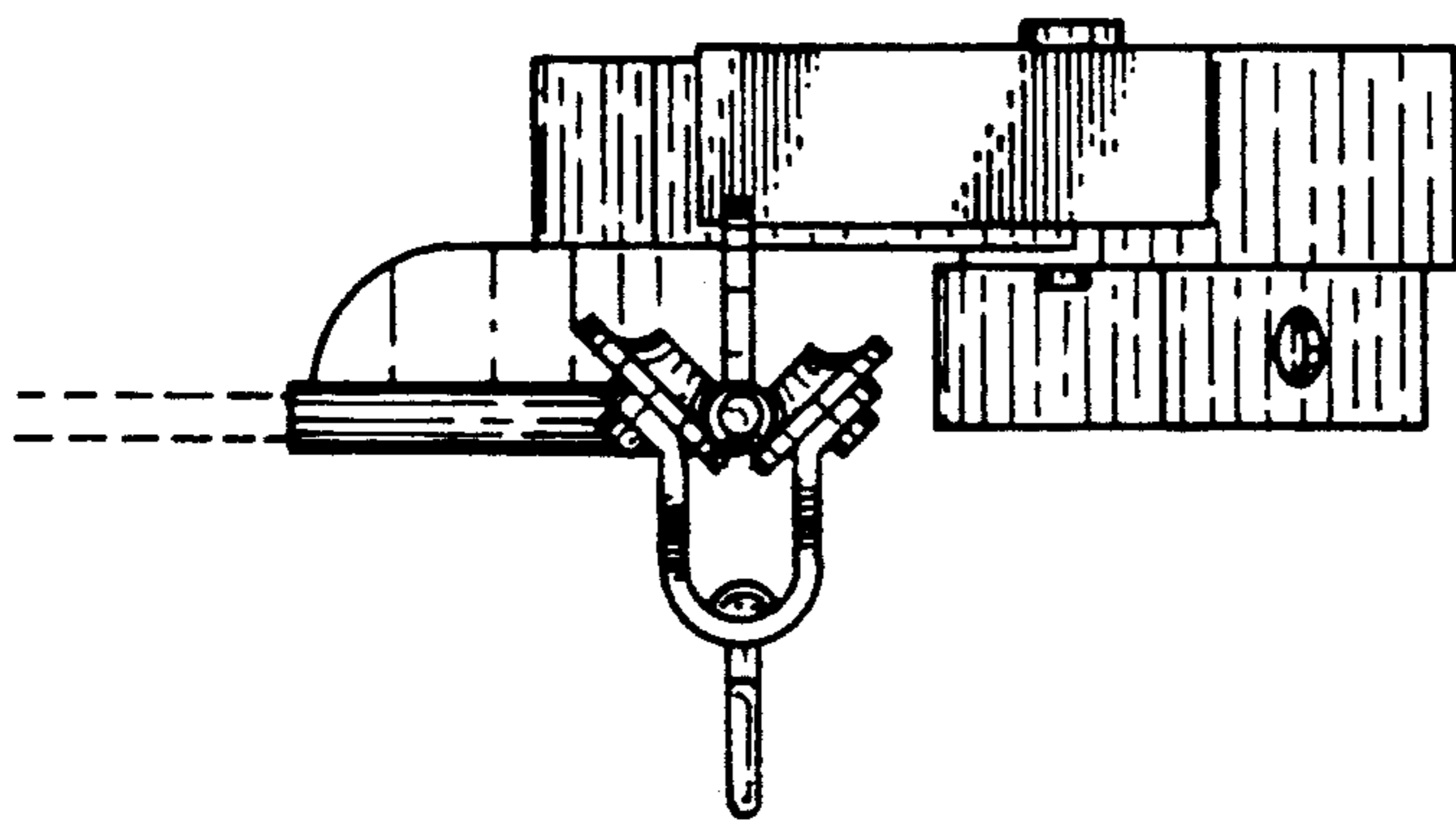
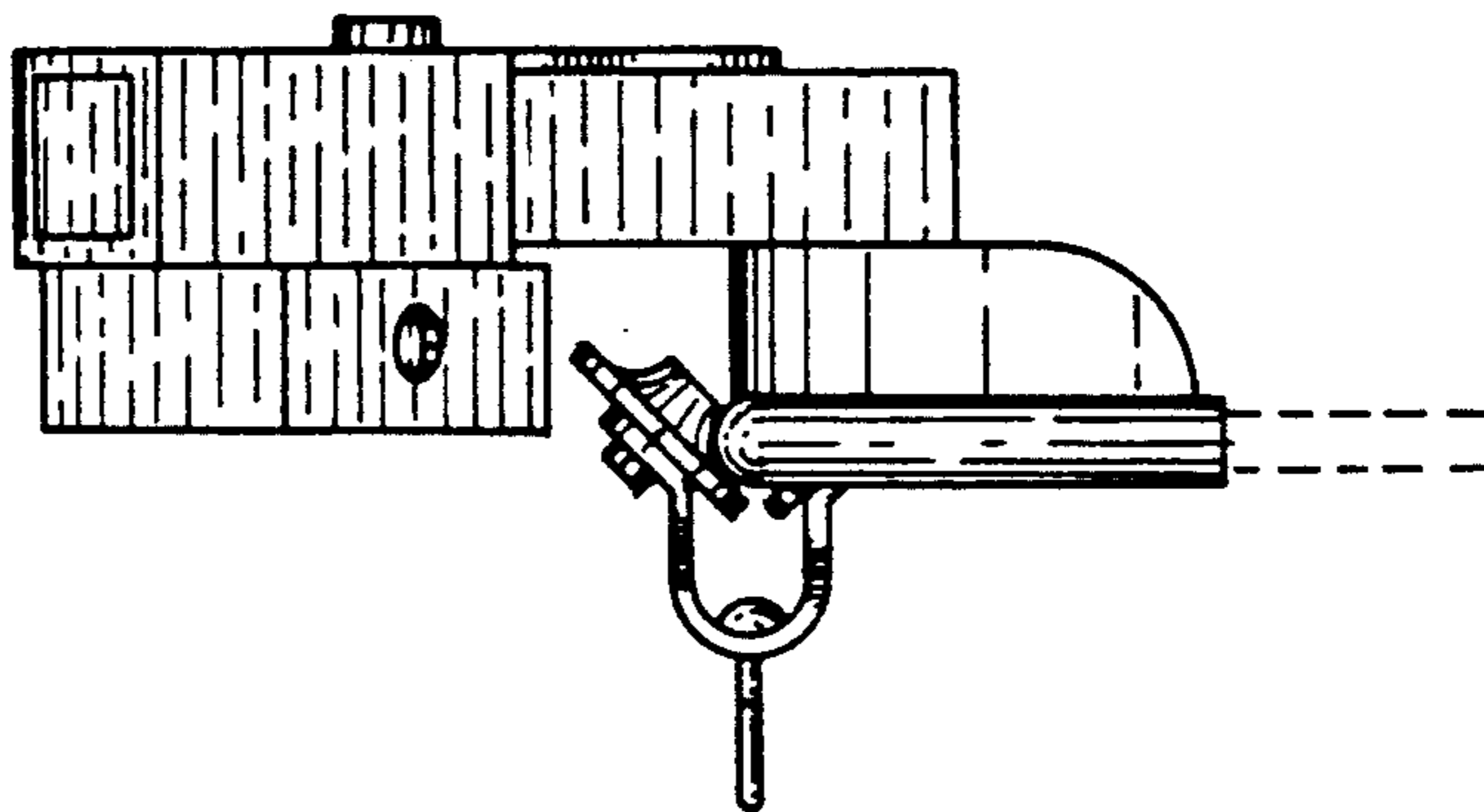


FIG. 5

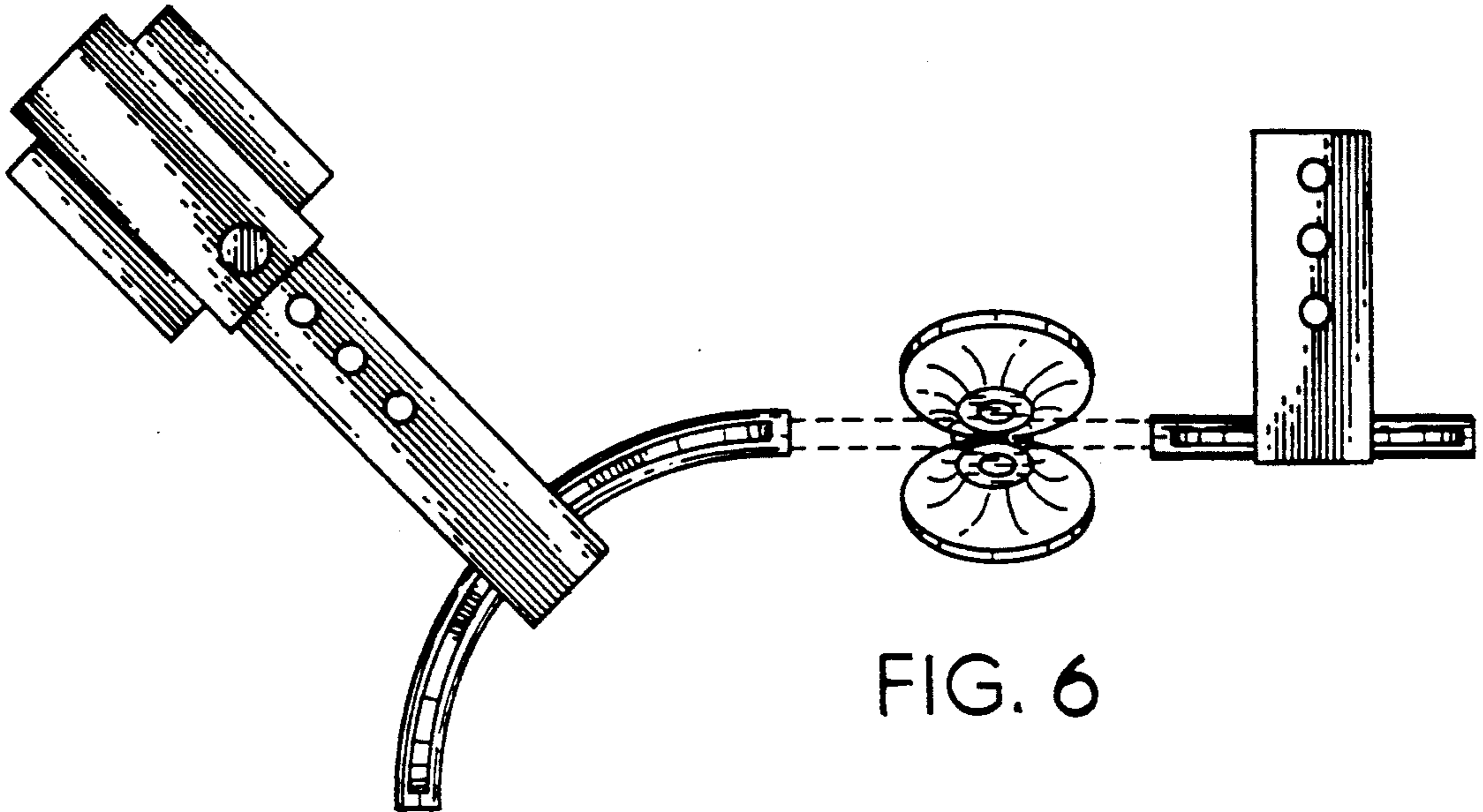


FIG. 6

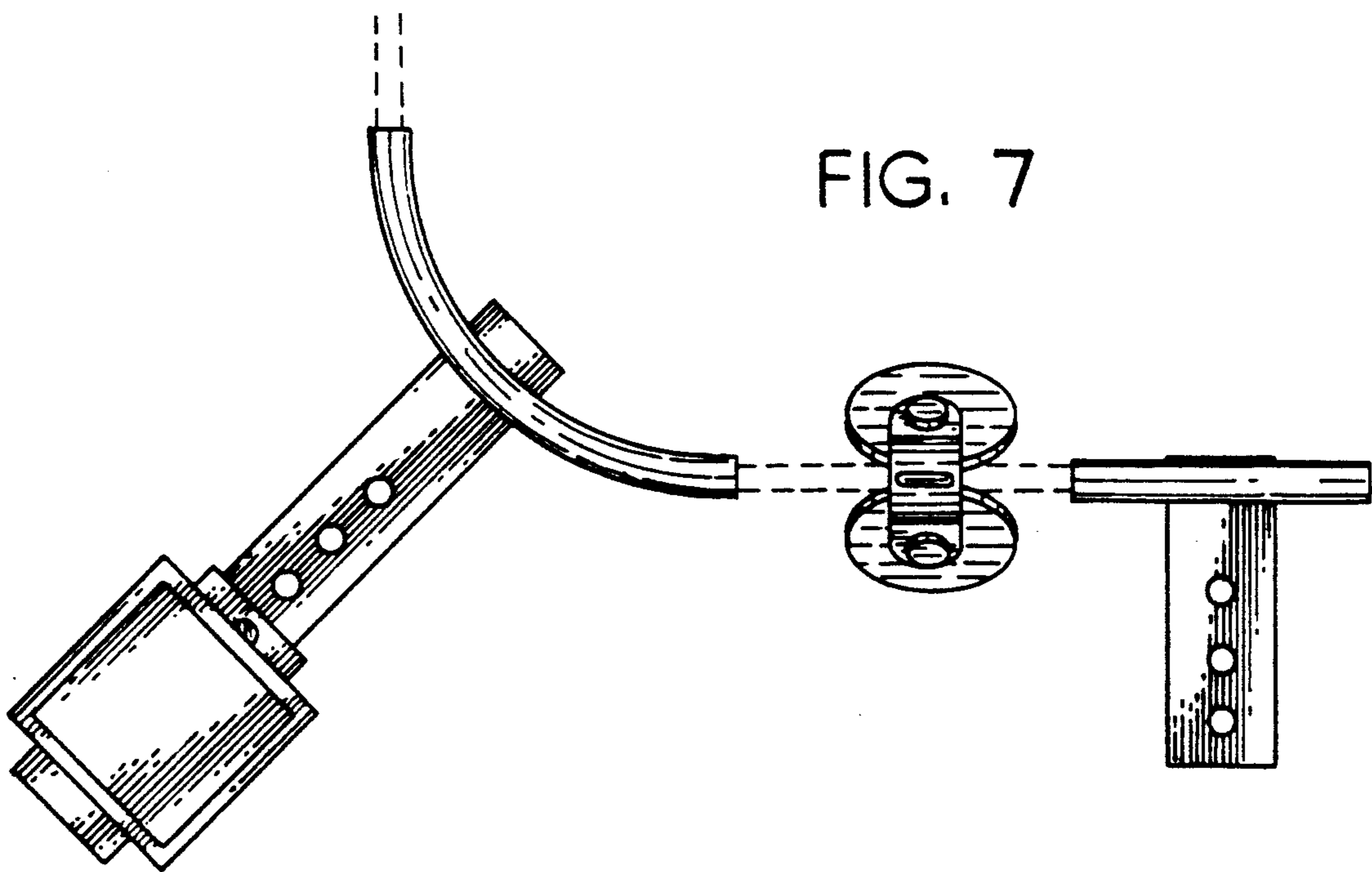
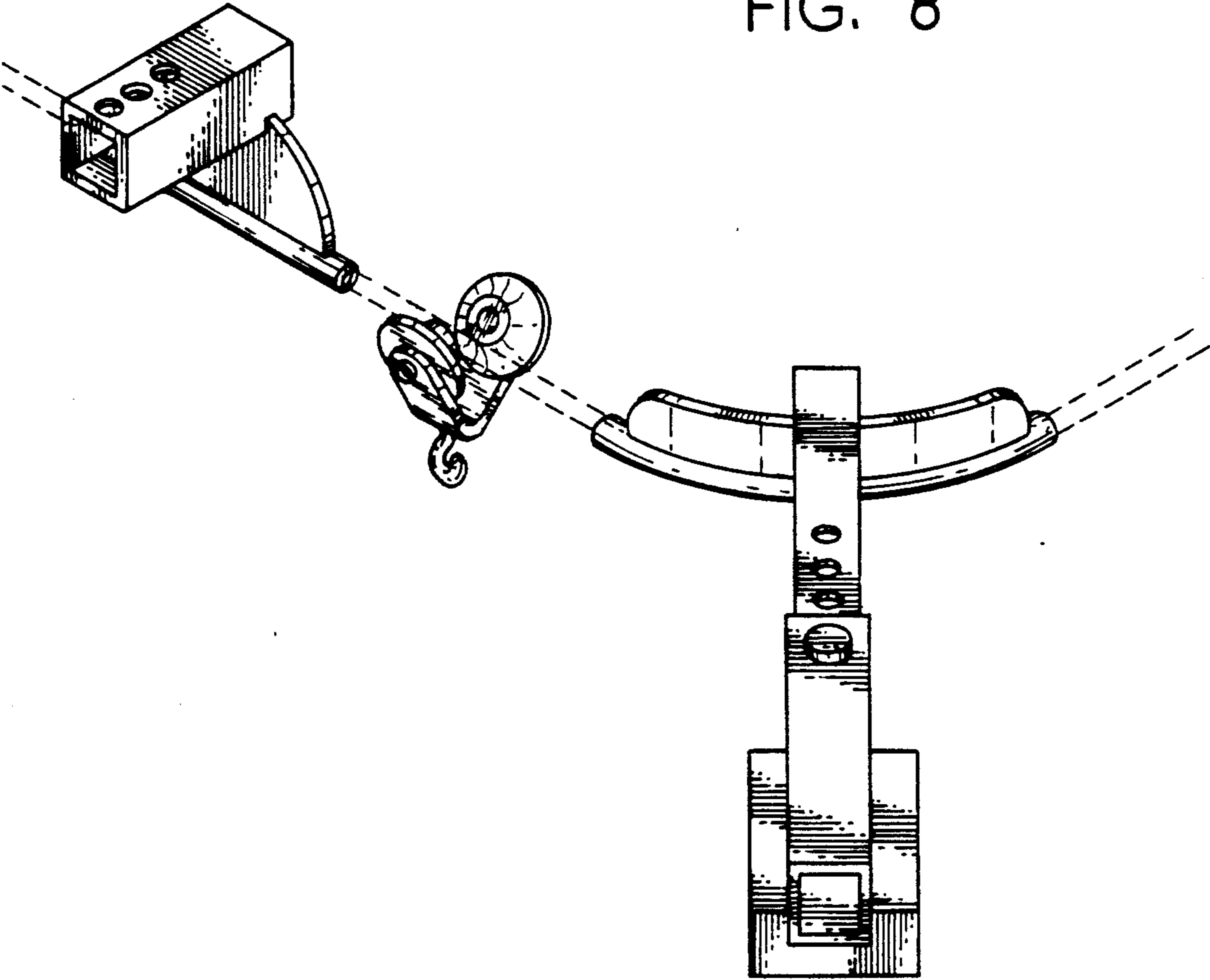


FIG. 7



FIG. 8



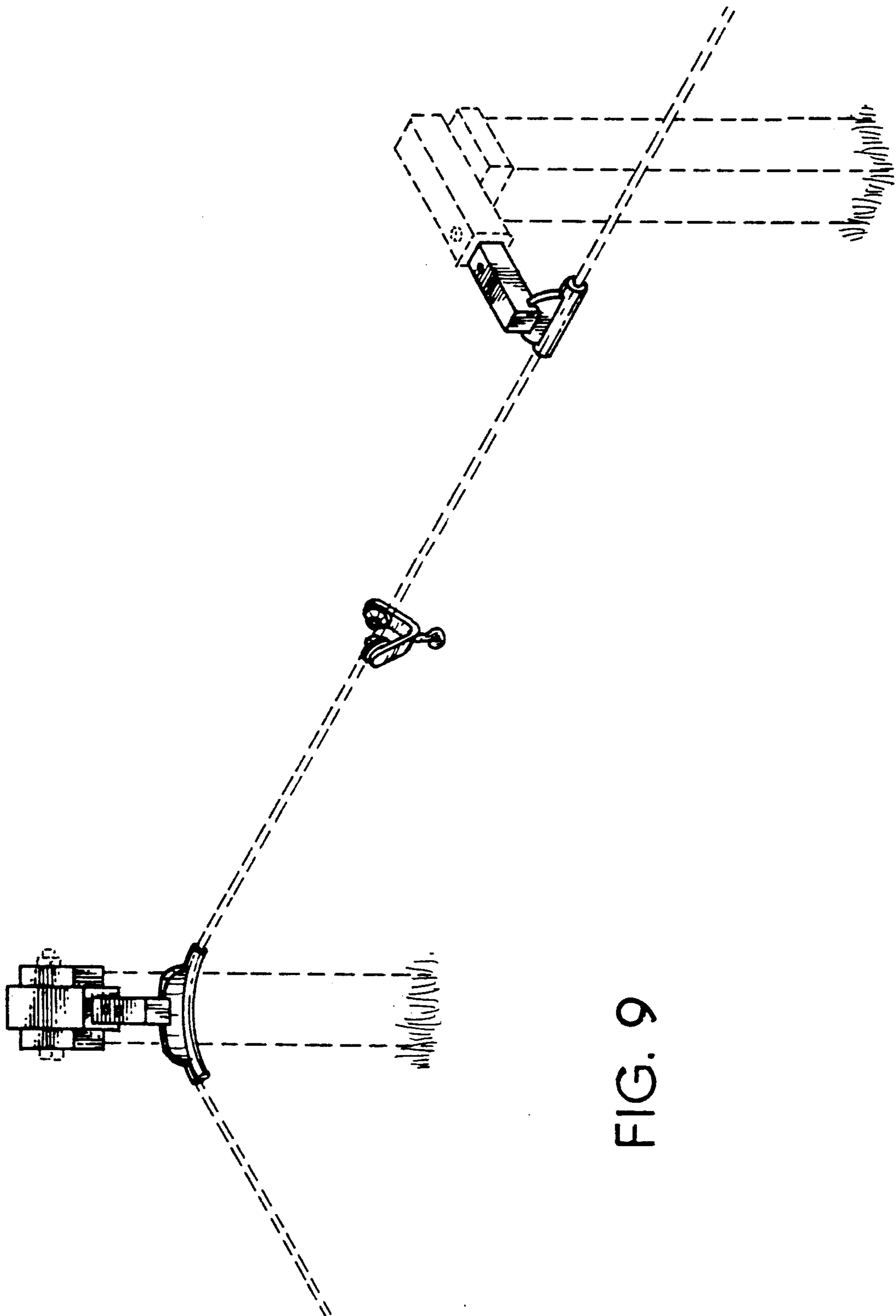


FIG. 9

FIG. 10

