



US00D346040S

United States Patent [19]

[11] Patent Number: **Des. 346,040**

Andregg

[45] Date of Patent: **** Apr. 12, 1994**

[54] **COMBINED POWDER DISPENSER AND APPLICATOR**

4,630,955 12/1986 Ladd, Jr. et al. 401/123
4,848,946 7/1989 Goncalves 401/131

[76] Inventor: **Charlene Andregg, P.O. Box 881365, Steamboat Springs, Colo. 80488**

FOREIGN PATENT DOCUMENTS

379075 8/1923 Fed. Rep. of Germany 401/207
624132 3/1927 France 401/185

[**] Term: **14 Years**

Primary Examiner—Bernard Ansher
Assistant Examiner—C. Tuttle
Attorney, Agent, or Firm—Terry M. Gernstein

[21] Appl. No.: **773,302**

[22] Filed: **Oct. 9, 1991**

[52] U.S. Cl. **D28/7**

[57] CLAIM

[58] **Field of Search** **D4/114; 132/317, 318, 132/320; 401/6, 185, 200, 202, 206, 262-264, 269-270, 274; D28/7, 8; D19/41-43, 51**

The ornamental design for a combined powder dispenser and applicator, as shown and described.

DESCRIPTION

[56] References Cited

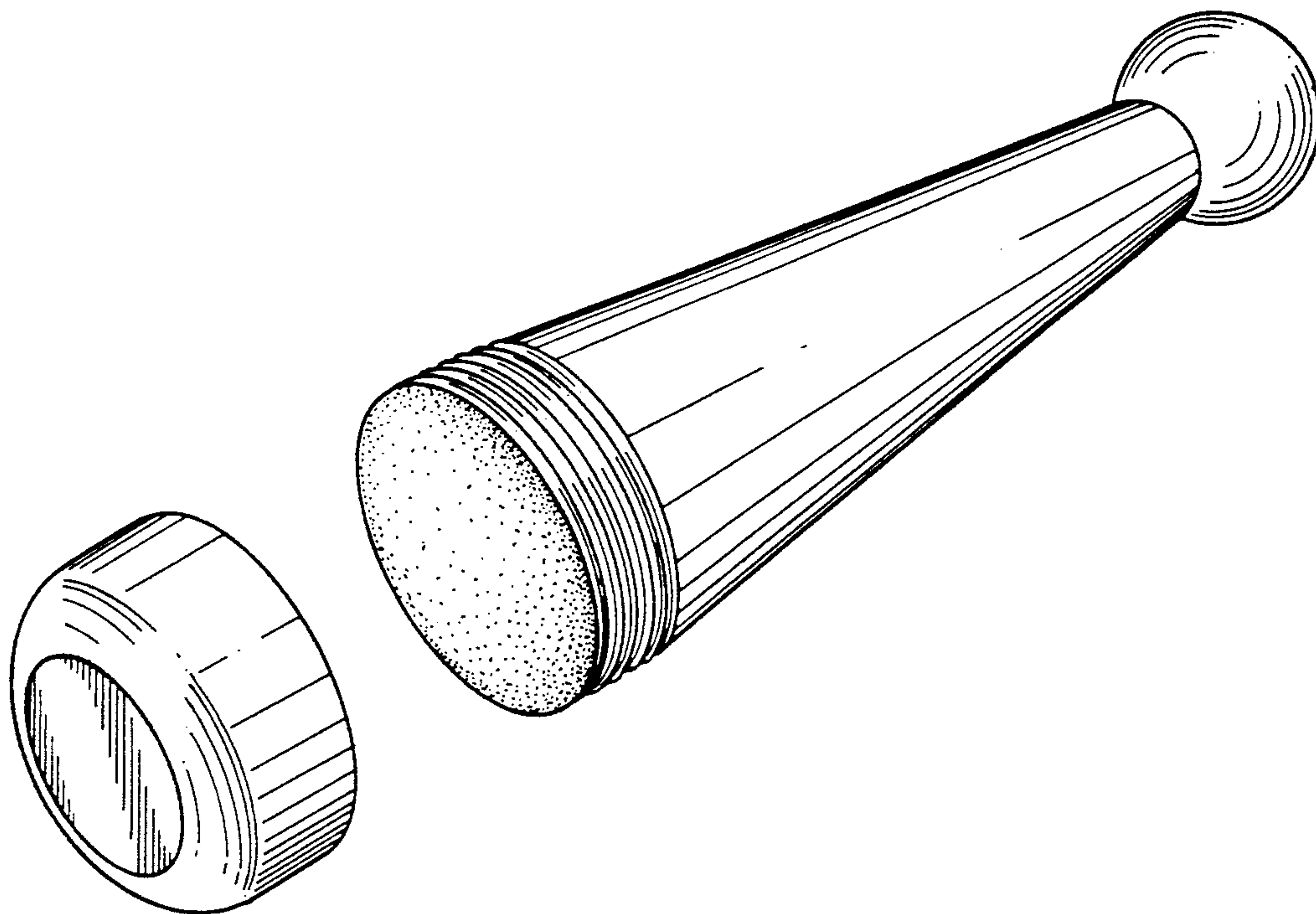
U.S. PATENT DOCUMENTS

D. 134,141 10/1942 Smith D4/127
D. 229,120 11/1973 Bell D9/529 X
D. 324,776 3/1992 Griffin et al. D4/135
2,746,461 5/1956 Bocchino 401/207 X
3,482,920 12/1969 Schwartzman 401/202 X
4,235,557 11/1980 Hayes 401/98 X
4,626,119 12/1986 Ladd, Jr. 401/123

FIG. 1 is a perspective view of a combined powder dispenser and applicator showing my new design, the undisclosed portions of the applicator head are unornamented, and follow the configuration of the side shown; FIG. 2 is a front elevational view of the assembled article; the side opposite being identical to the side shown;

FIG. 3 is a top plan view thereof;

FIG. 4 is a bottom plan view thereof.



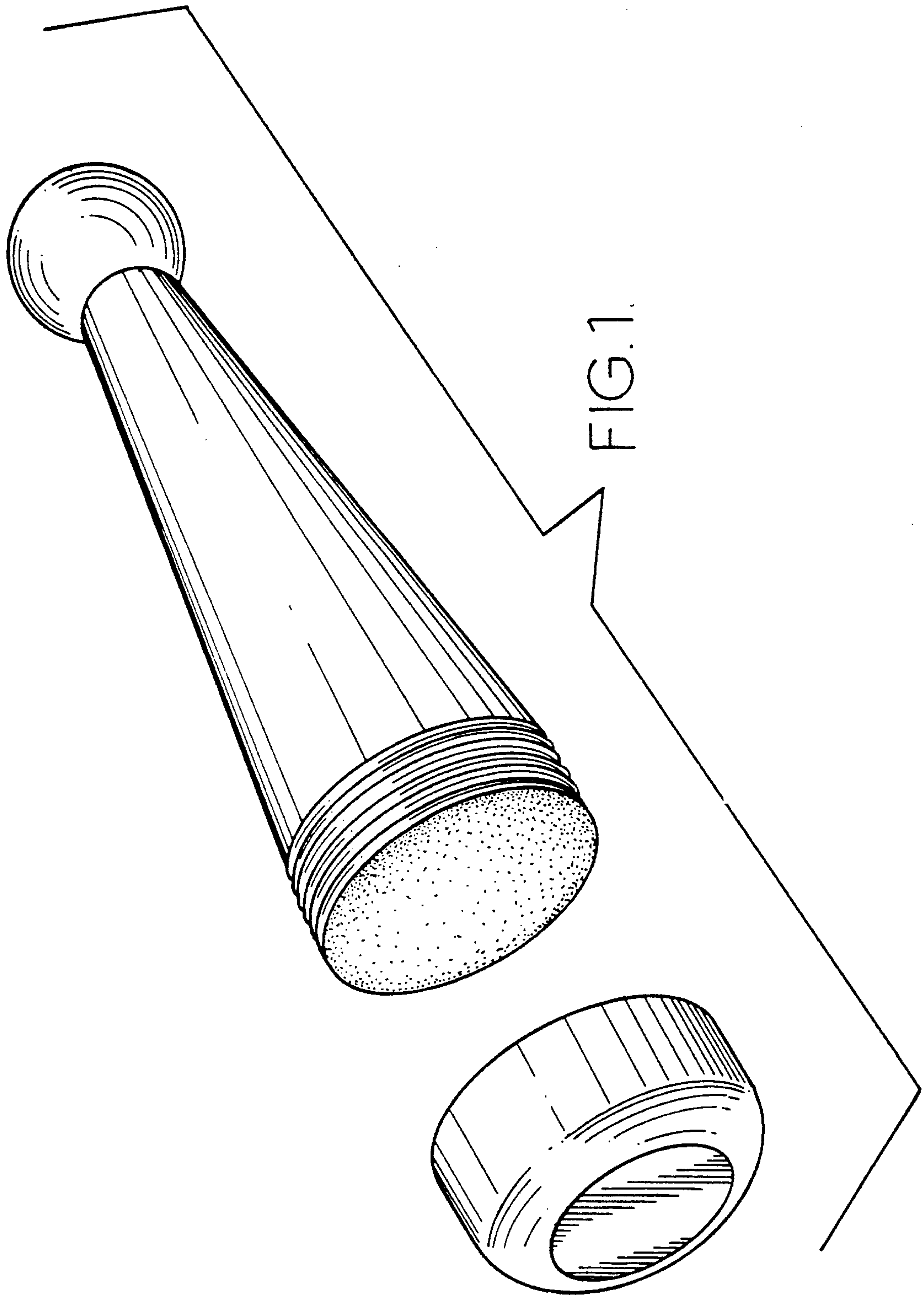


FIG. 2.

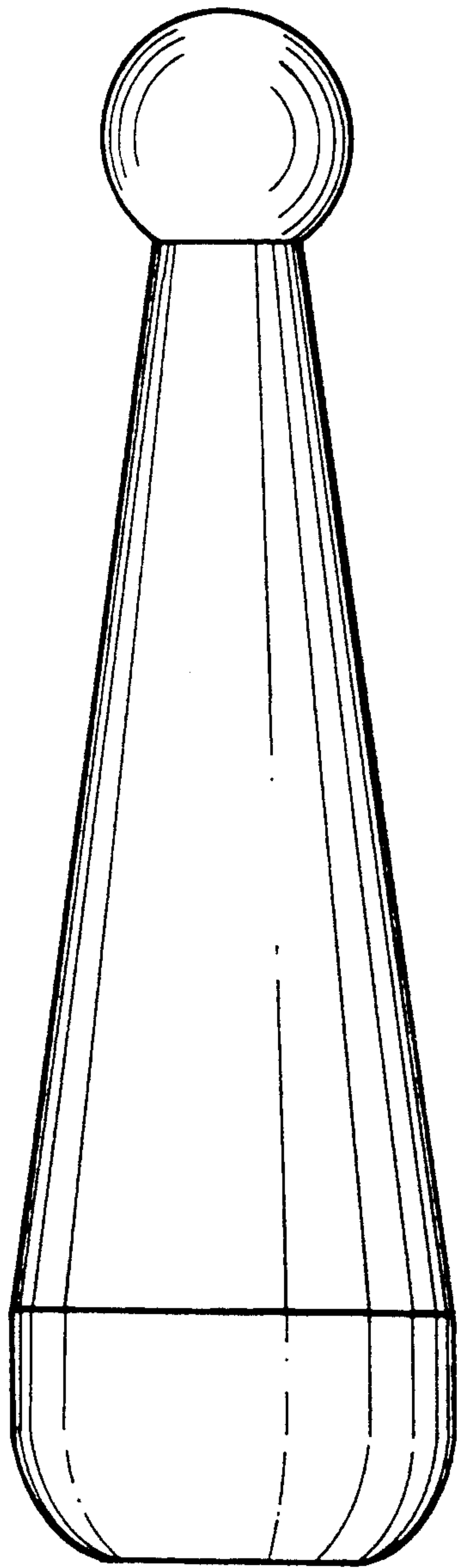


FIG. 3.

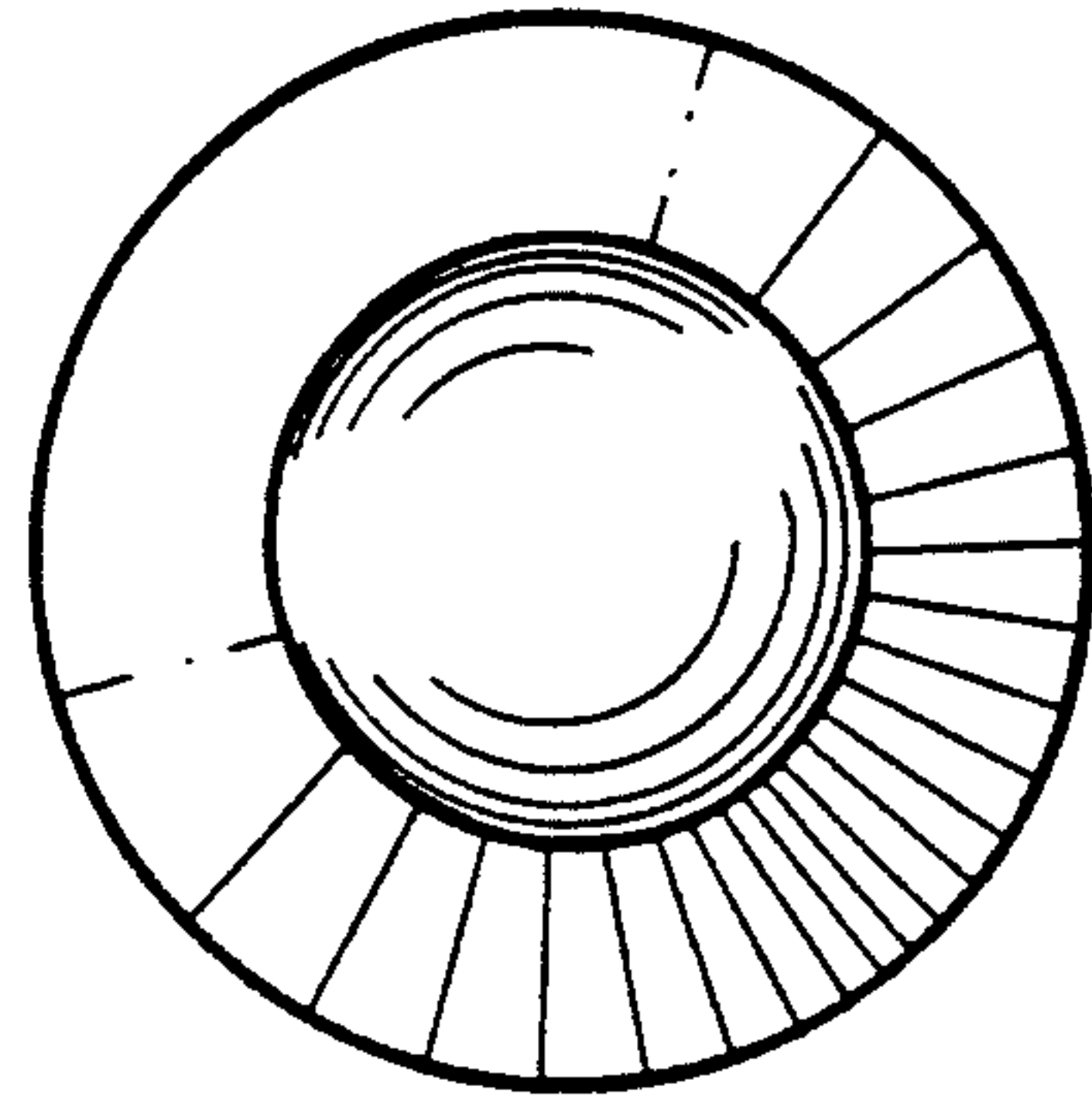


FIG. 4.

