



US00D346039S

# United States Patent [19]

[11] Patent Number: **Des. 346,039**

**Dordoni**

[45] Date of Patent: **\*\* Apr. 12, 1994**

[54] **TABLE LAMP**

D. 211,275 6/1968 Greve ..... D26/105  
2,449,765 9/1948 Brattain ..... 362/410 X

[75] Inventor: **Rodolfo Dordoni, Milan, Italy**

[73] Assignee: **Artemide S.p.A., Milan, Italy**

[\*\*] Term: **14 Years**

[21] Appl. No.: **924,825**

[22] Filed: **Aug. 4, 1992**

[30] **Foreign Application Priority Data**

Feb. 4, 1992 [IT] Italy ..... T0920000019

[52] U.S. Cl. .... **D26/105**

[58] Field of Search ..... 362/410-414;  
D26/93, 102-112

[56] **References Cited**

**U.S. PATENT DOCUMENTS**

D. 76,276 9/1928 Wolter ..... D26/105  
D. 174,597 4/1955 Rosenthal ..... D26/105  
D. 204,899 5/1966 Curry ..... D26/105

**OTHER PUBLICATIONS**

Stiffel Co. Lamp Catalog, Spring, 1954, p. 14, Table Lamp #9601.

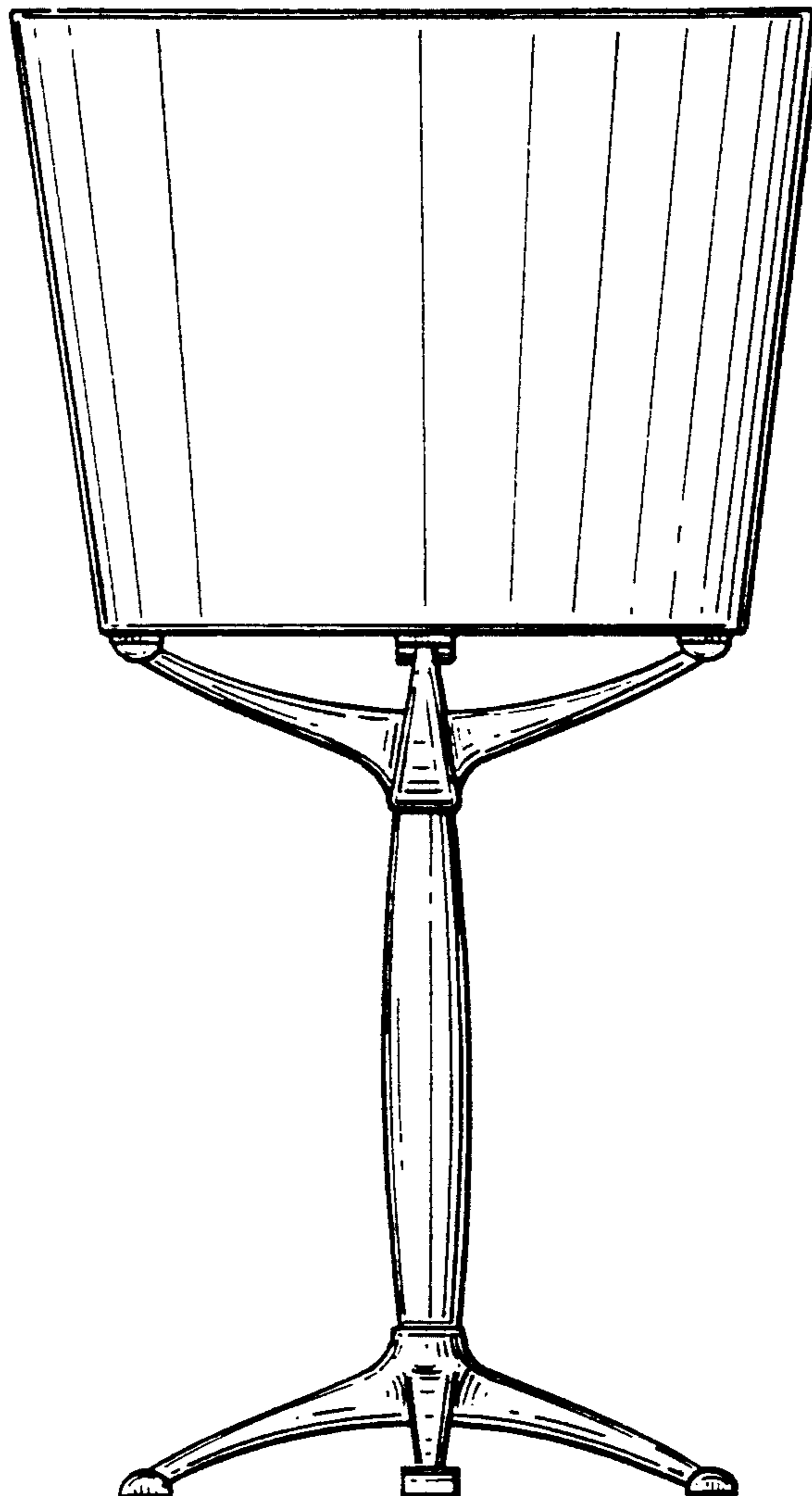
*Primary Examiner*—Susan J. Lucas  
*Attorney, Agent, or Firm*—Kane, Dalsimer, Sullivan, Kurucz, Levy, Eisele & Richard

[57] **CLAIM**

The ornamental design for a table lamp, as shown and described.

**DESCRIPTION**

FIG. 1 is a front view of my new design;  
FIG. 2 is a rear view thereof;  
FIG. 3 is a left side view thereof;  
FIG. 4 is a right side view thereof;  
FIG. 5 is a top view thereof; and,  
FIG. 6 is a bottom view thereof.



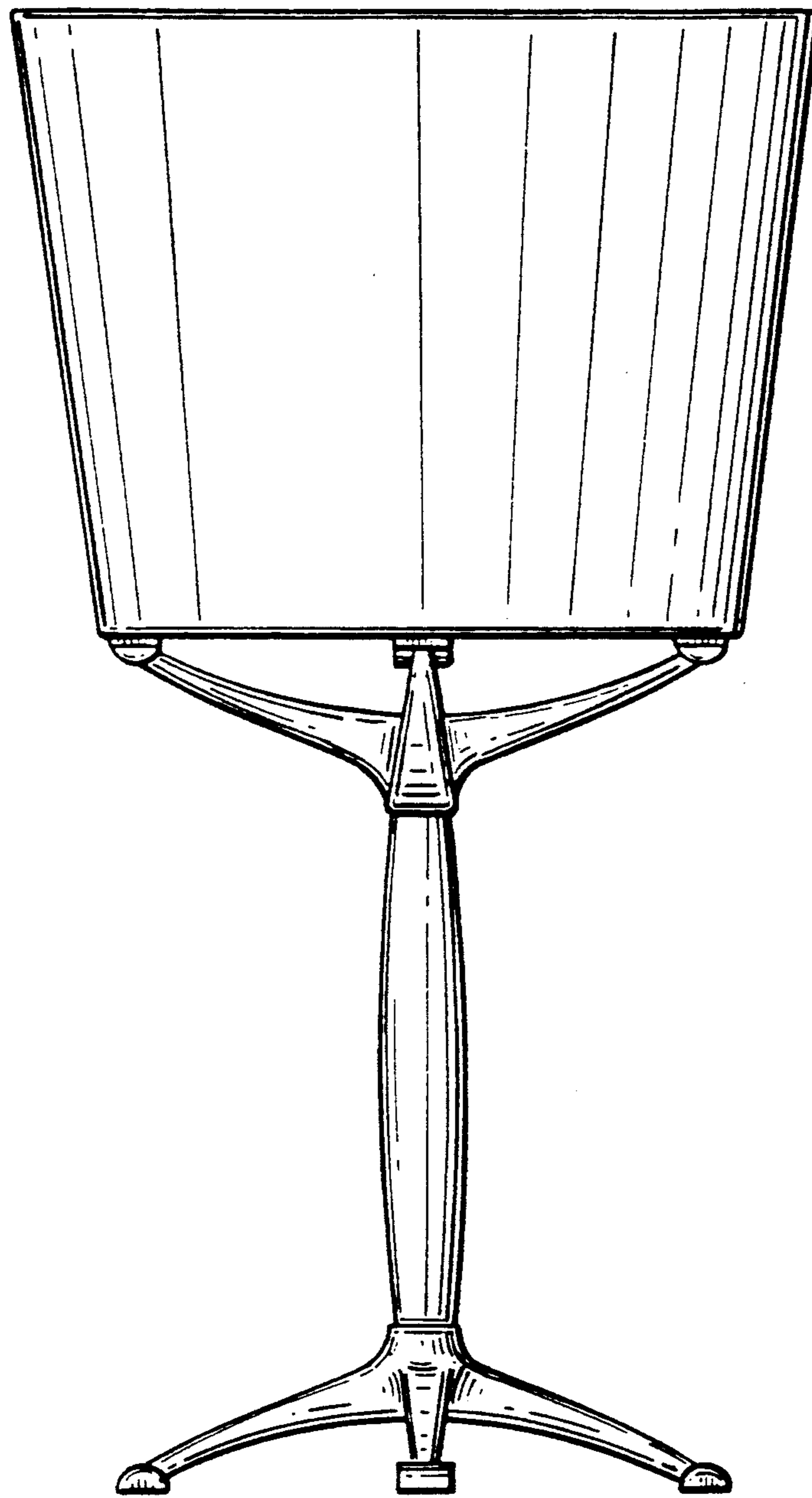


FIG. 1

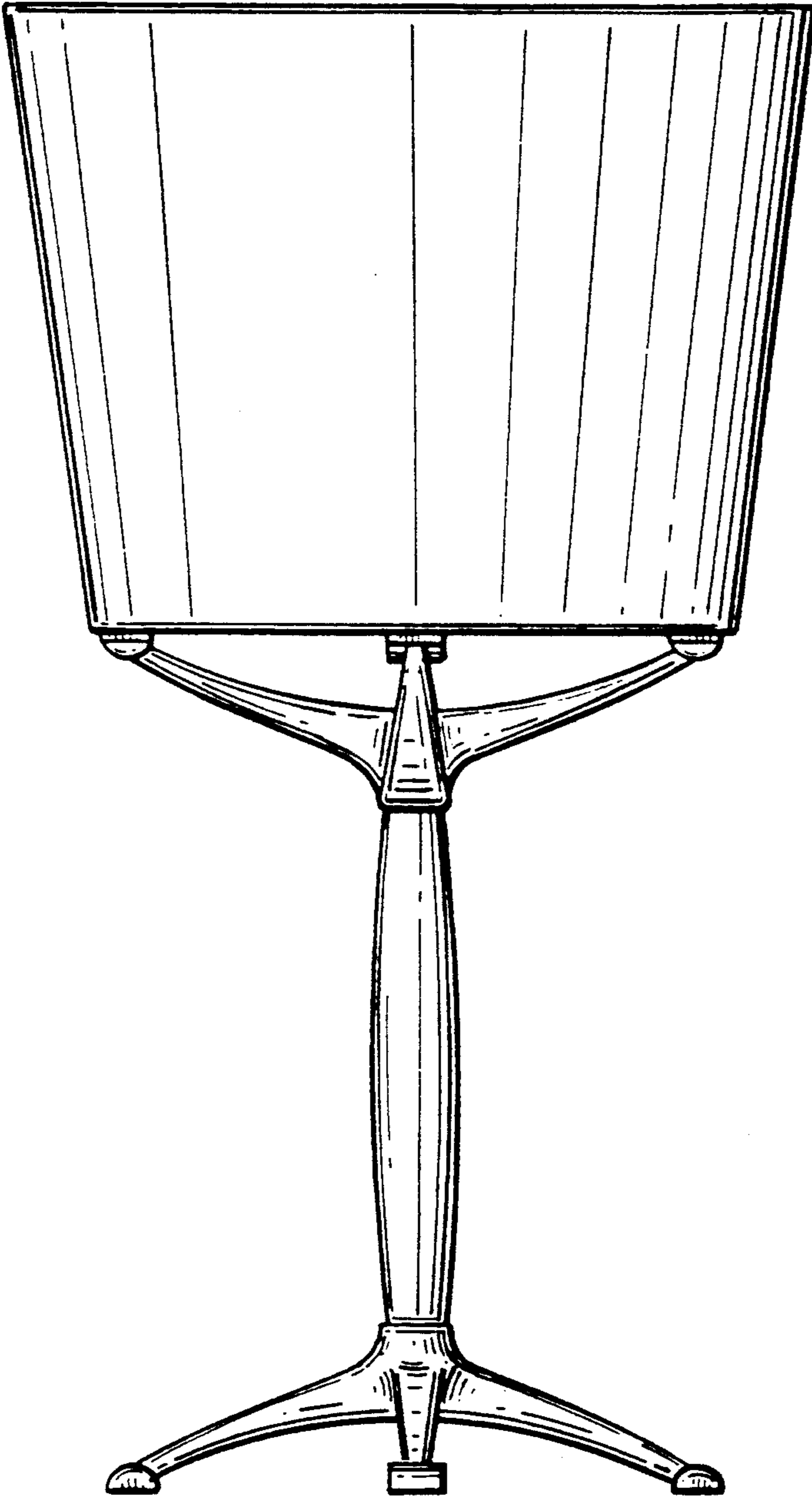


FIG. 2

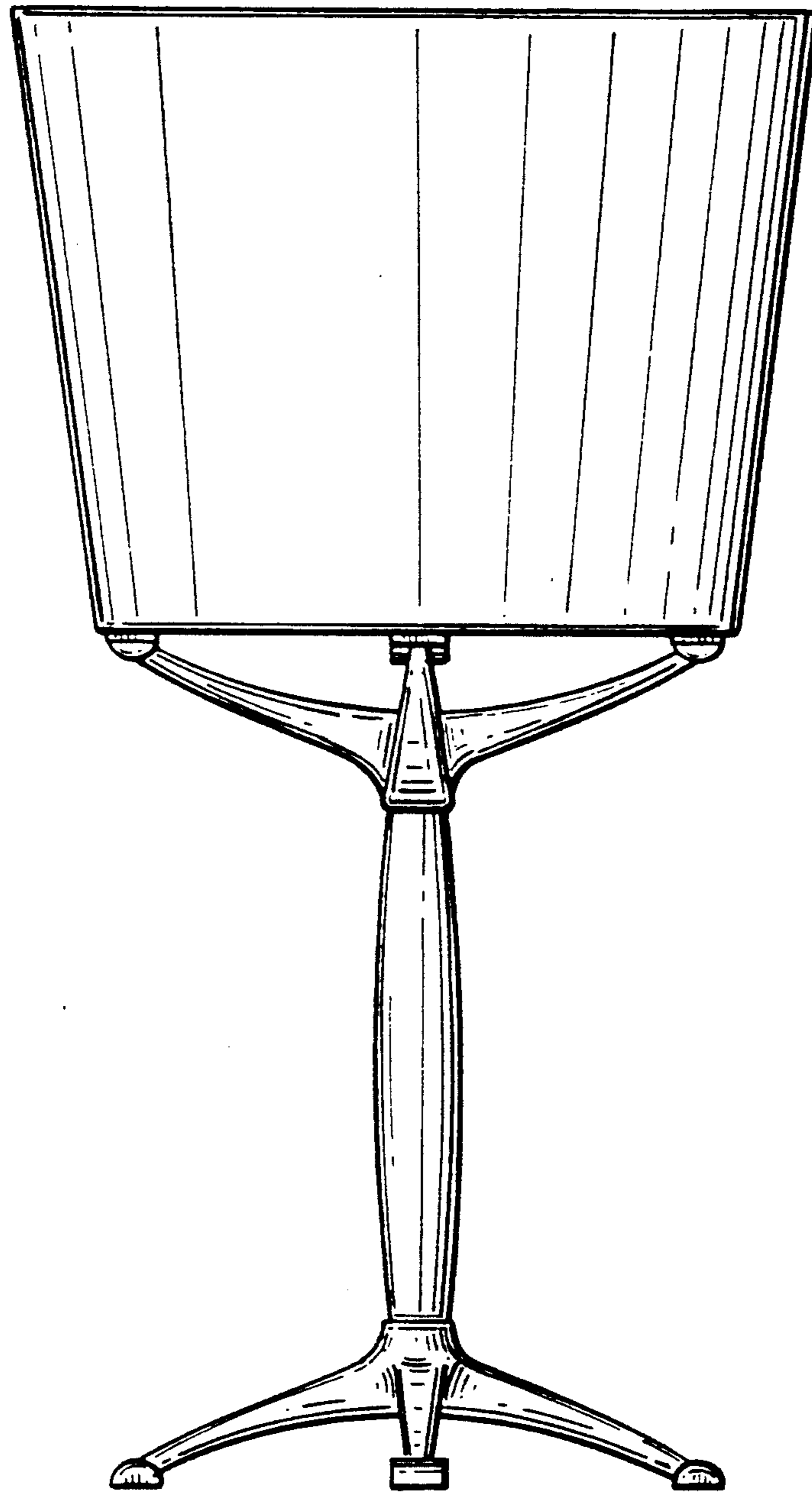


FIG. 3

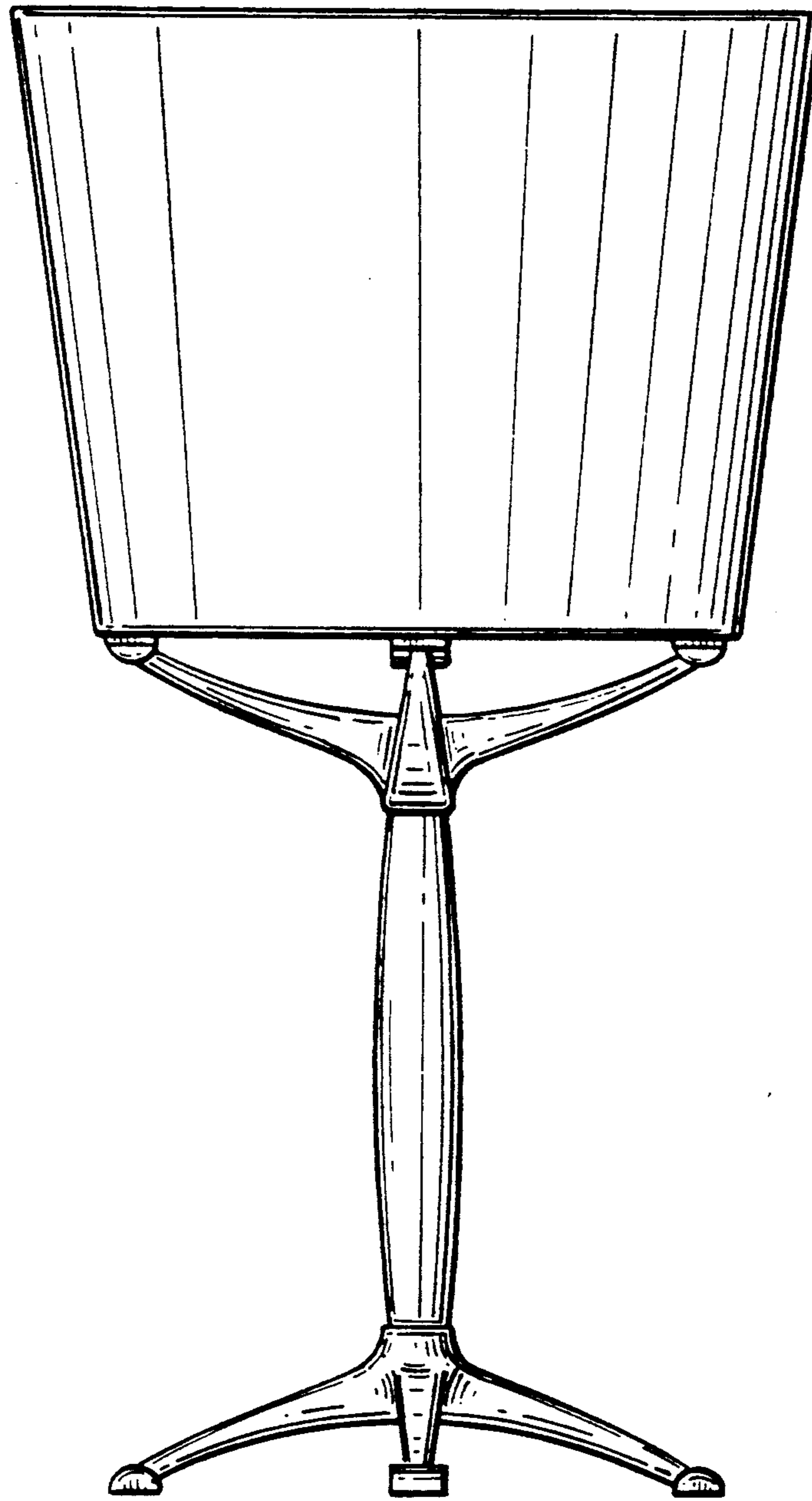


FIG. 4

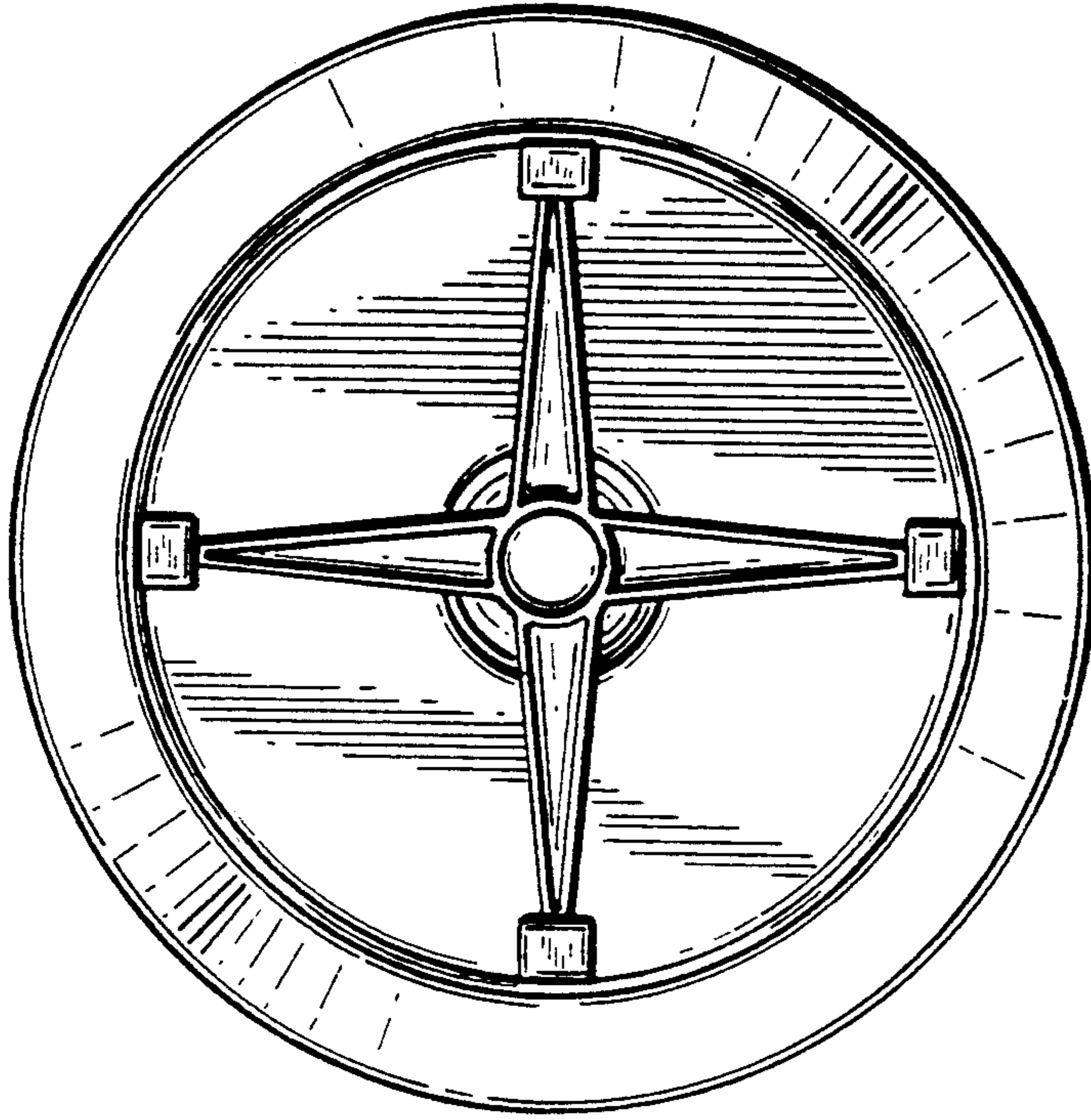


FIG. 6

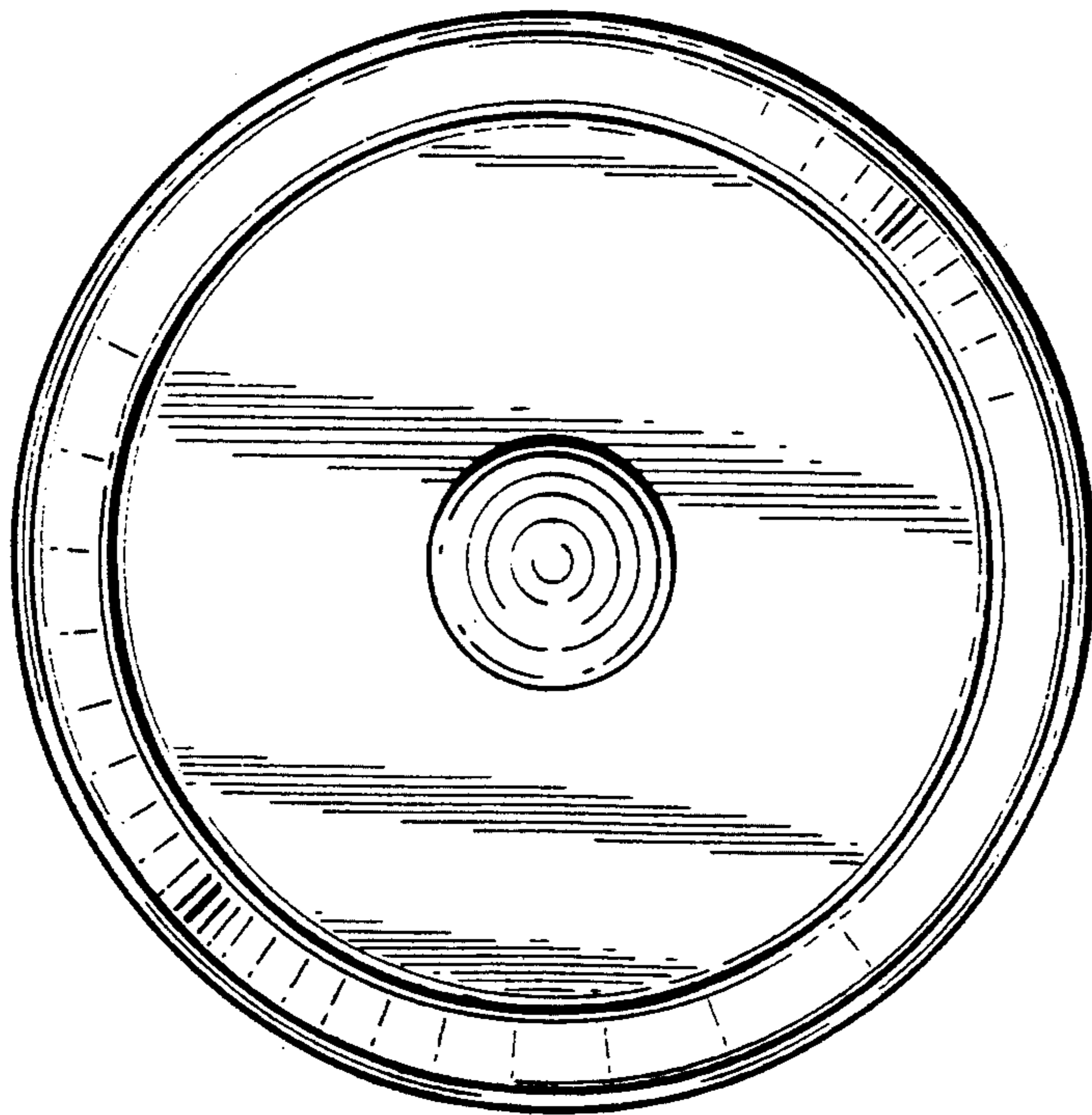


FIG. 5