



US00D346035S

United States Patent [19] Bancroft

[11] Patent Number: **Des. 346,035**

[45] Date of Patent: **** Apr. 12, 1994**

[54] **FIXED PANEL INTERLOCK JAMB**

[76] Inventor: **Joseph C. Bancroft**, 134 Harmony La., McComb, Miss. 39648

[**] Term: **14 Years**

[21] Appl. No.: **940,826**

[22] Filed: **Sep. 8, 1992**

[52] U.S. Cl. **D25/124**

[58] Field of Search 49/504, 505, DIG. 2; 52/243.1; D25/48, 124, 138

[56] **References Cited**

U.S. PATENT DOCUMENTS

D. 285,611	9/1986	Slocomb, Jr.	D25/124
1,046,666	12/1912	Smith	49/505
3,826,050	7/1974	Schwartz et al.	49/505
4,330,972	5/1982	Sailor	49/504
4,631,866	12/1986	Otto et al.	49/504

Primary Examiner—A. Hugo Word

Assistant Examiner—Doris Clark
Attorney, Agent, or Firm—Macdonald J. Wiggins

[57] **CLAIM**

The ornamental design for a fixed panel interlock jamb, as shown and described.

DESCRIPTION

FIG. 1 is a fragmentary top perspective view of the fixed panel interlock jamb showing my design; FIG. 2 is a top plan view thereof broken away to indicate indeterminate length; FIG. 3 is a bottom plan view thereof broken away to indicate indeterminate length; FIG. 4 is a front elevational view thereof in which the rear elevational view is a mirror image of the front view; FIG. 5 is a right elevational view thereof broken away to indicate indeterminate length; and, FIG. 6 is a left elevational view thereof broken away to indicate indeterminate length.

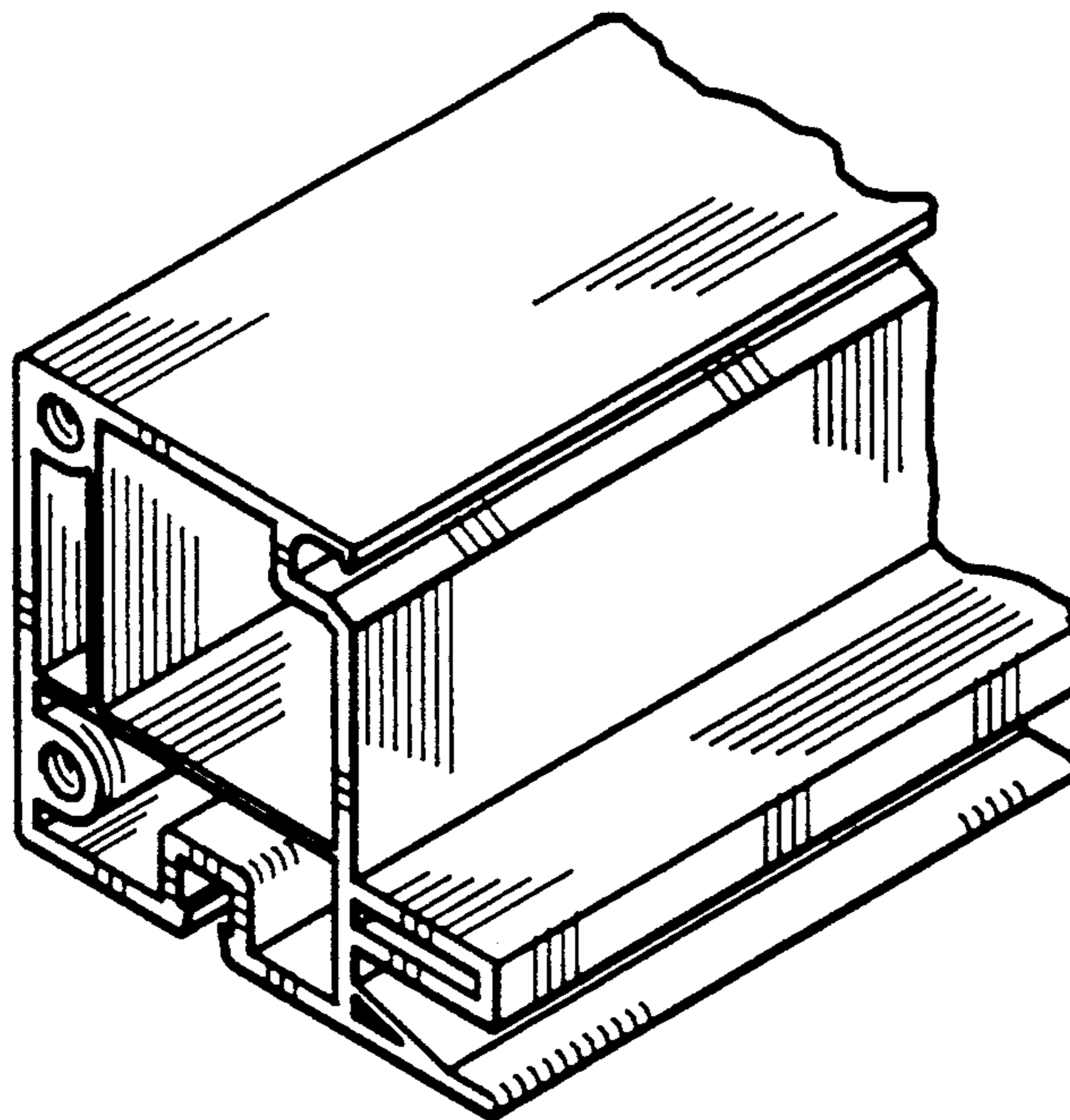


FIG. 1

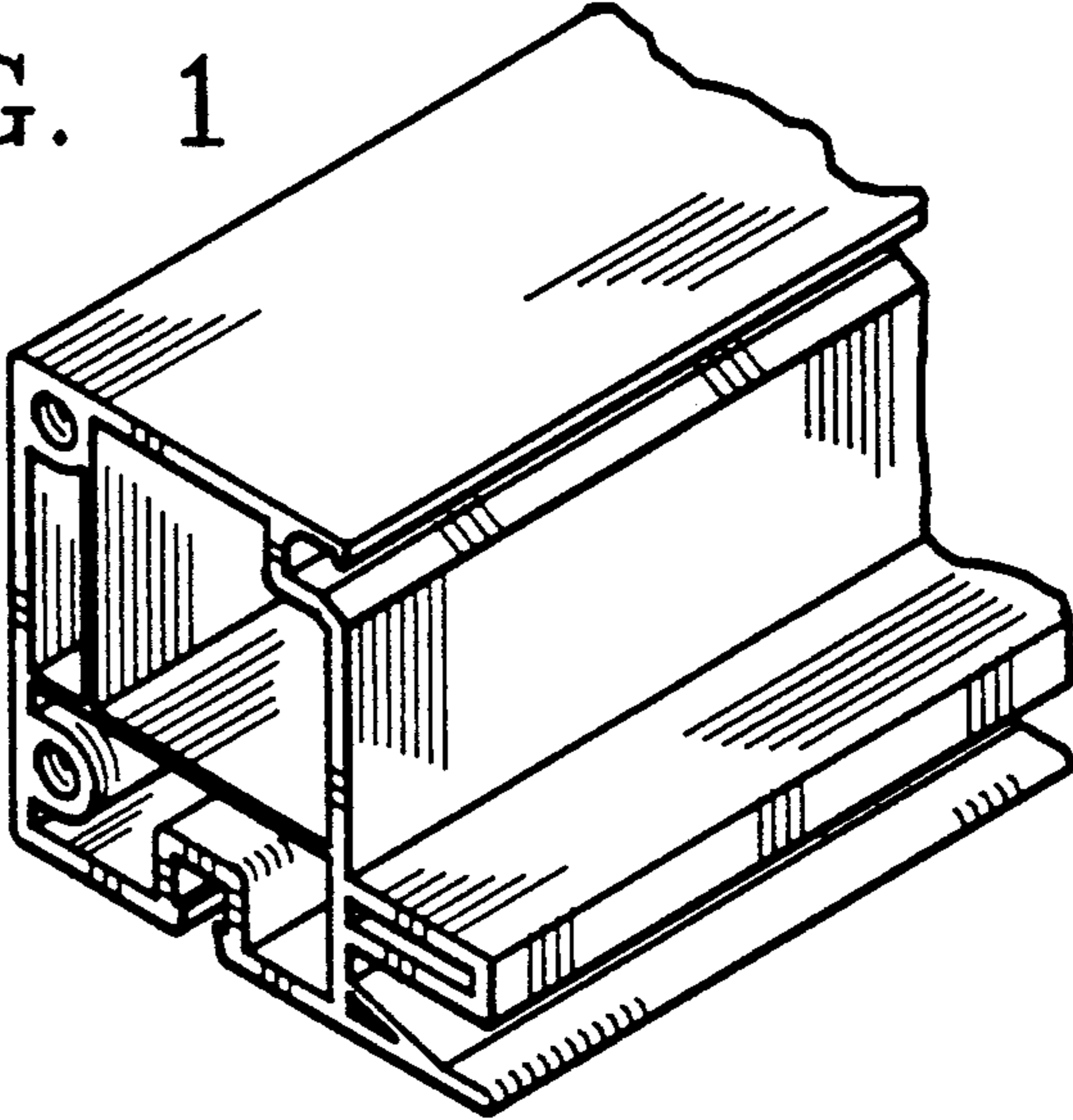


FIG. 2

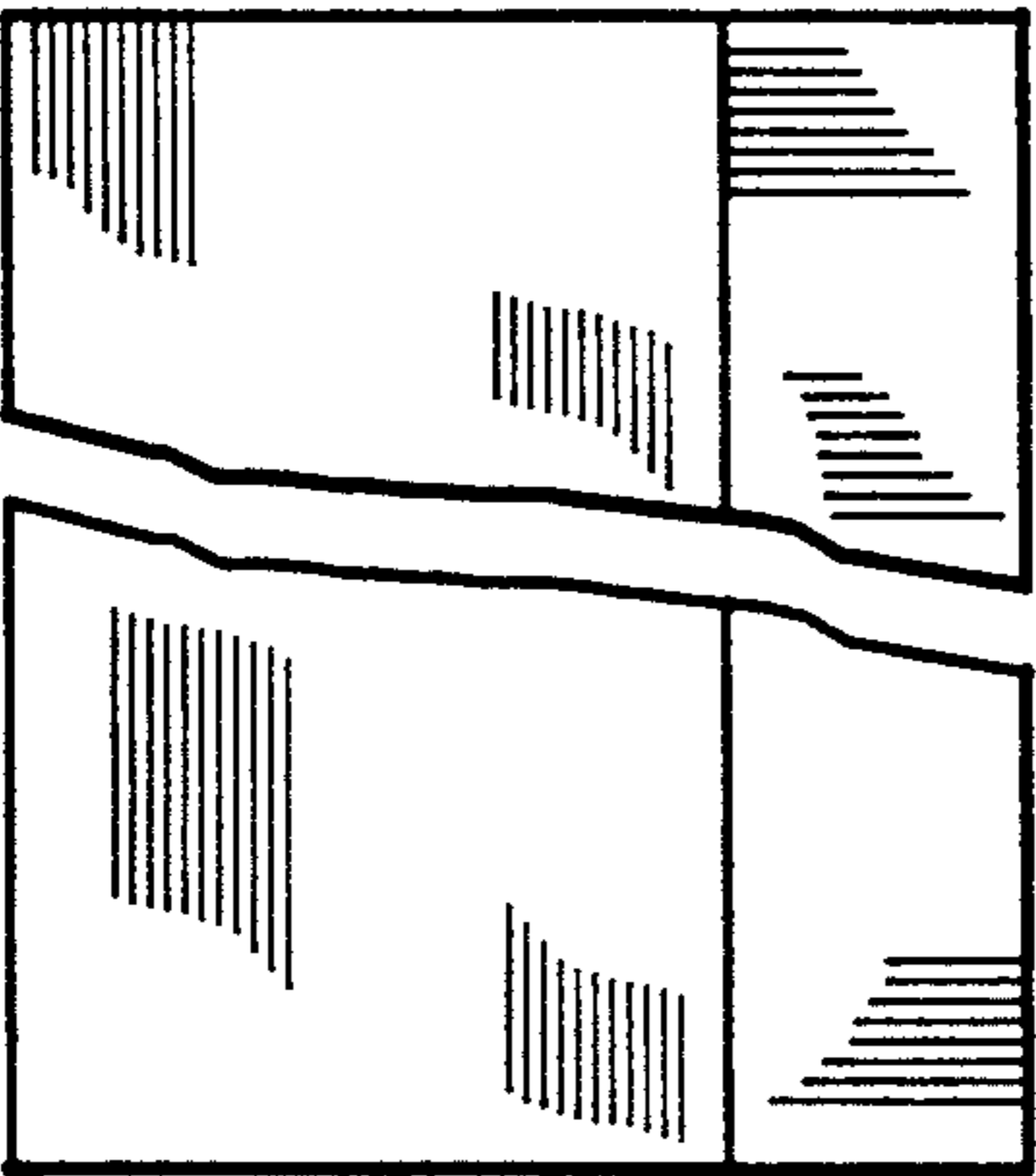


FIG. 3

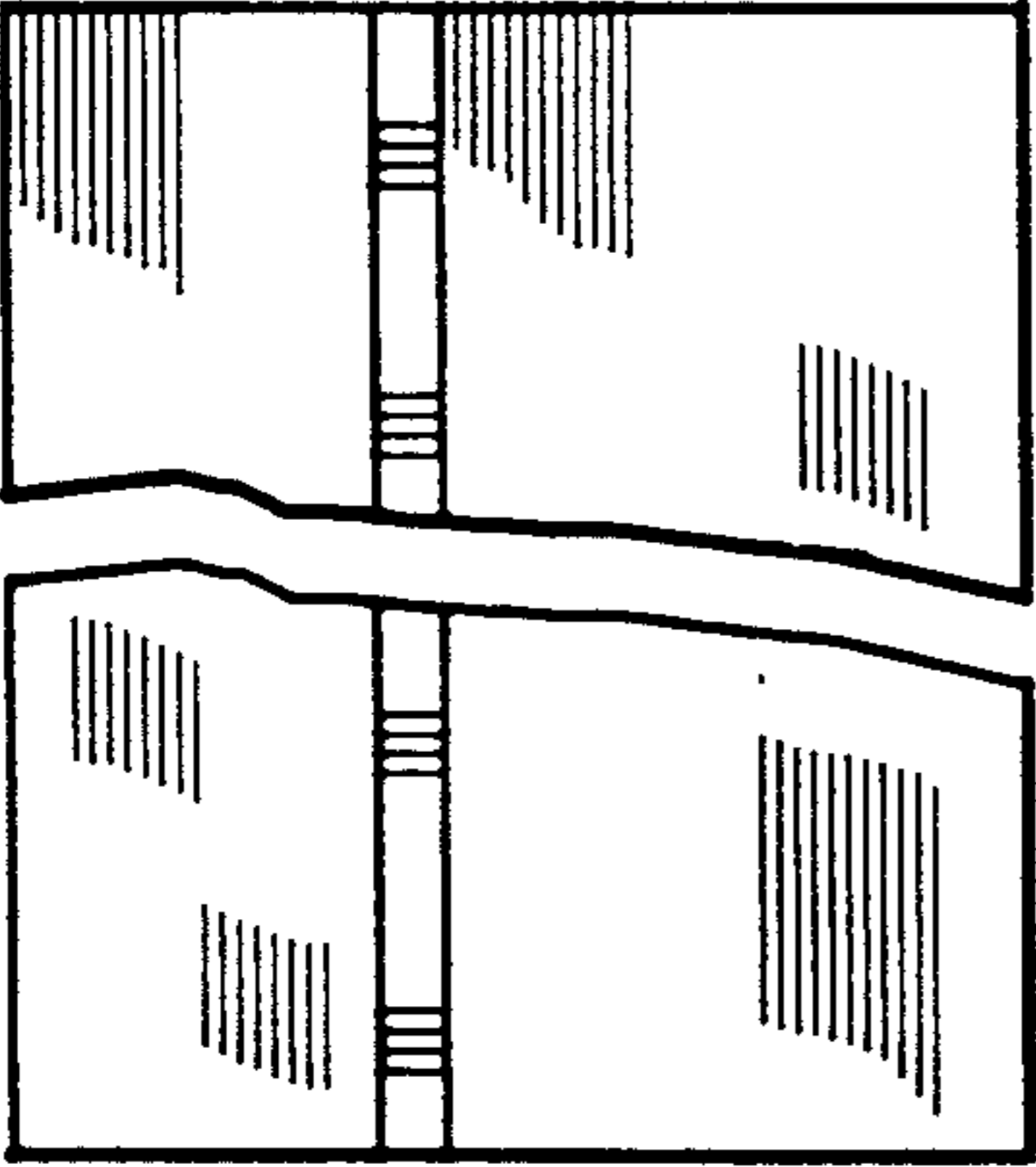


FIG. 4

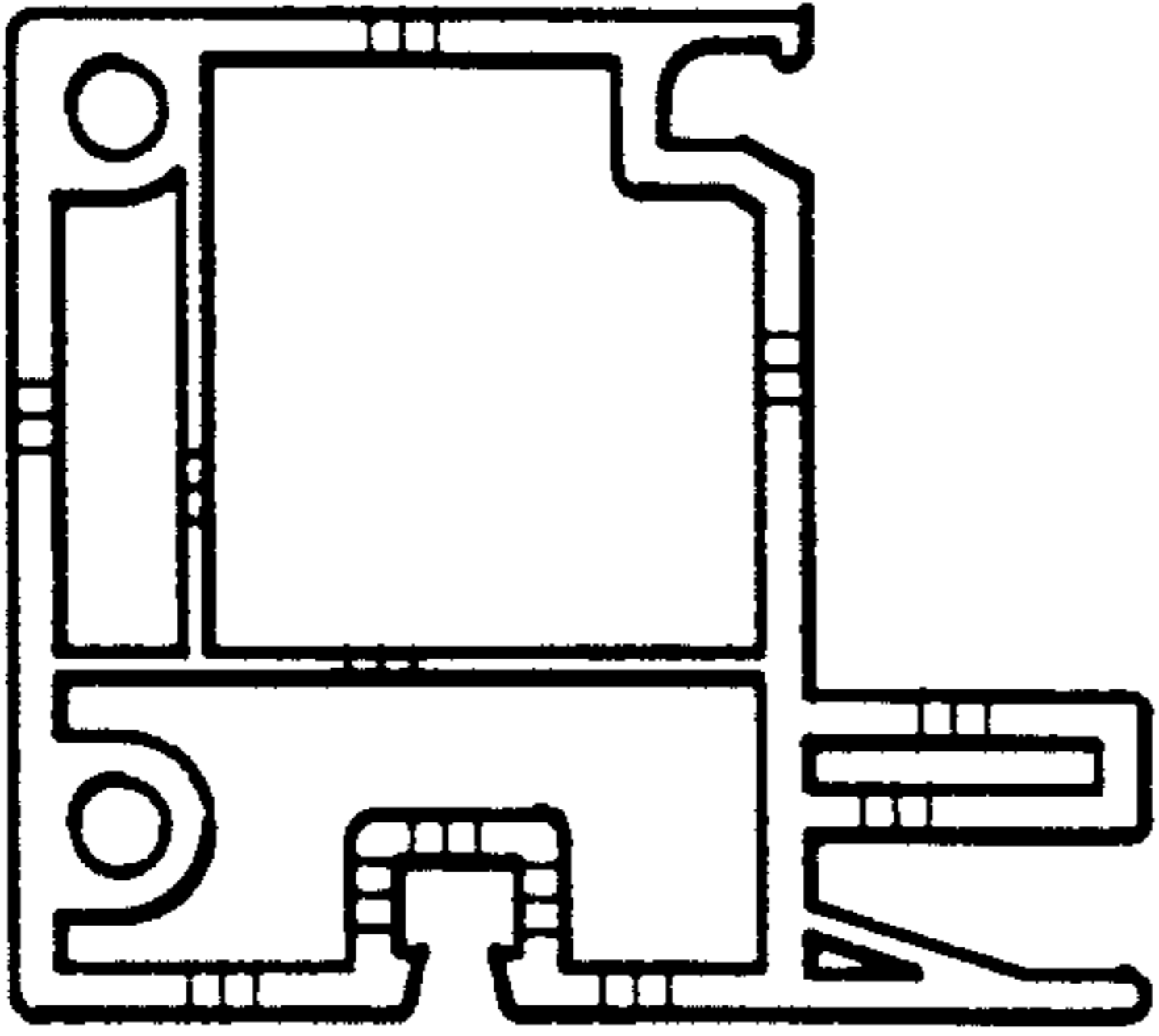


FIG. 5

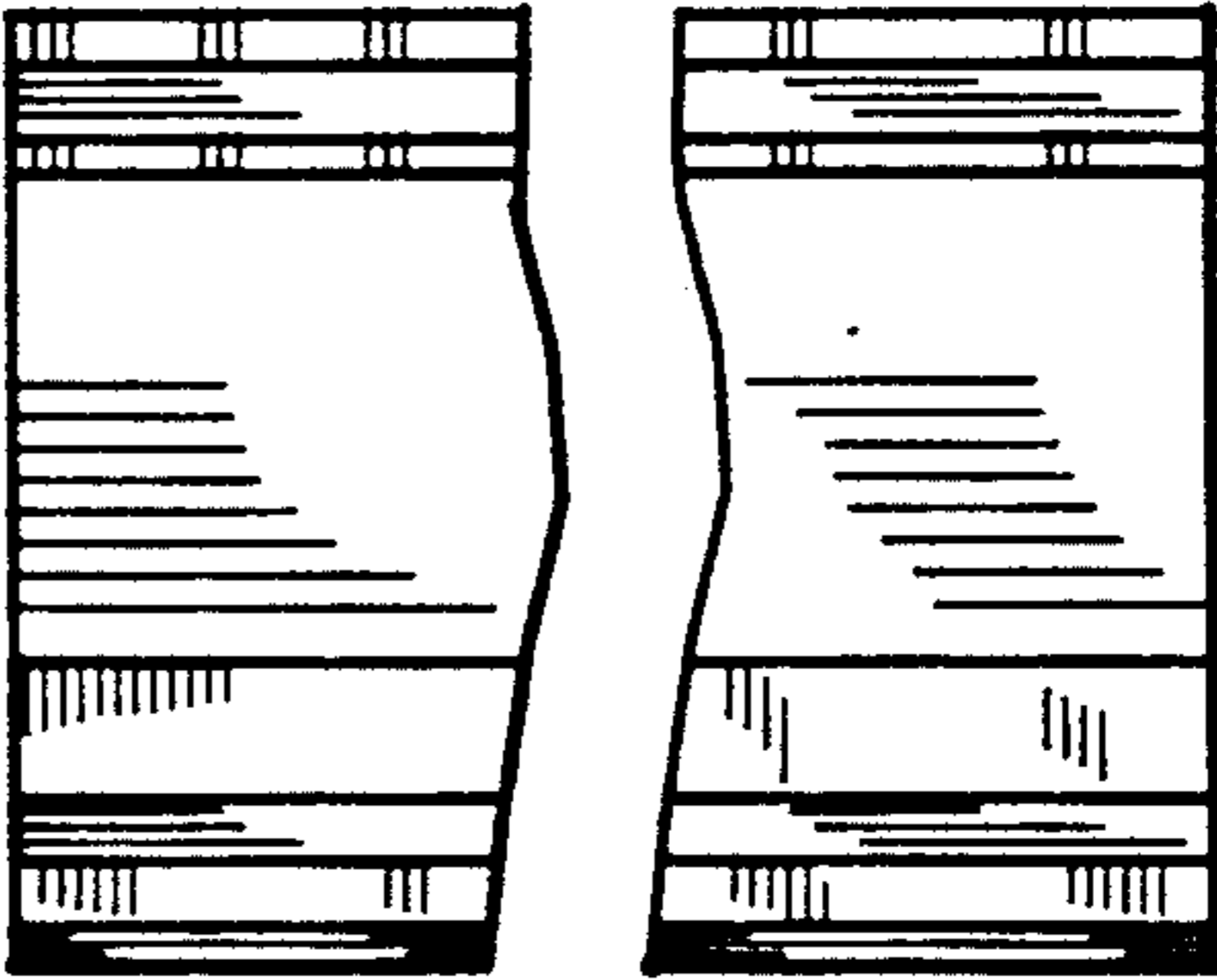


FIG. 6

