



US00D346034S

United States Patent [19] Bancroft

[11] Patent Number: Des. 346,034

[45] Date of Patent: ** Apr. 12, 1994

[54] MOVING PANEL INTERLOCK JAMB

[76] Inventor: Joseph C. Bancroft, 134 Harmony La., McComb, Miss. 39648

[**] Term: 14 Years

[21] Appl. No.: 940,824

[22] Filed: Sep. 8, 1992

[52] U.S. Cl. D25/124

[58] Field of Search 49/504-505, 49/DIG. 2; 52/243.1; D25/48, 124, 138

[56] References Cited

U.S. PATENT DOCUMENTS

D. 270,667	9/1983	Cascone et al.	D25/48
D. 313,860	1/1991	Slocomb, Jr.	D25/124
3,518,794	7/1970	Homer	49/504
3,553,891	1/1971	Casebolt et al.	49/505
3,859,754	1/1975	Budich et al.	49/504
4,484,411	11/1984	Rystad	49/505
4,589,229	5/1986	Damen	49/505
4,825,610	5/1989	Gasteiger	52/243.1

Primary Examiner—A. Hugo Word
Assistant Examiner—Doris Clark
Attorney, Agent, or Firm—Macdonald J. Wiggins

[57] CLAIM

The ornamental design for a moving panel interlock jamb, as shown and described.

DESCRIPTION

FIG. 1 is a fragmentary top perspective view of the moving panel interlock jamb showing my design; FIG. 2 is a top plan view thereof broken away to indicate indeterminate length; FIG. 3 is bottom plan view thereof broken away to indicate indeterminate length; FIG. 4 is a front elevational view thereof in which the rear elevational view is a mirror image of the front view; FIG. 5 a right elevational view thereof broken away to indicate indeterminate length; and, FIG. 6 is a left elevational view thereof broken away to indicate indeterminate length.

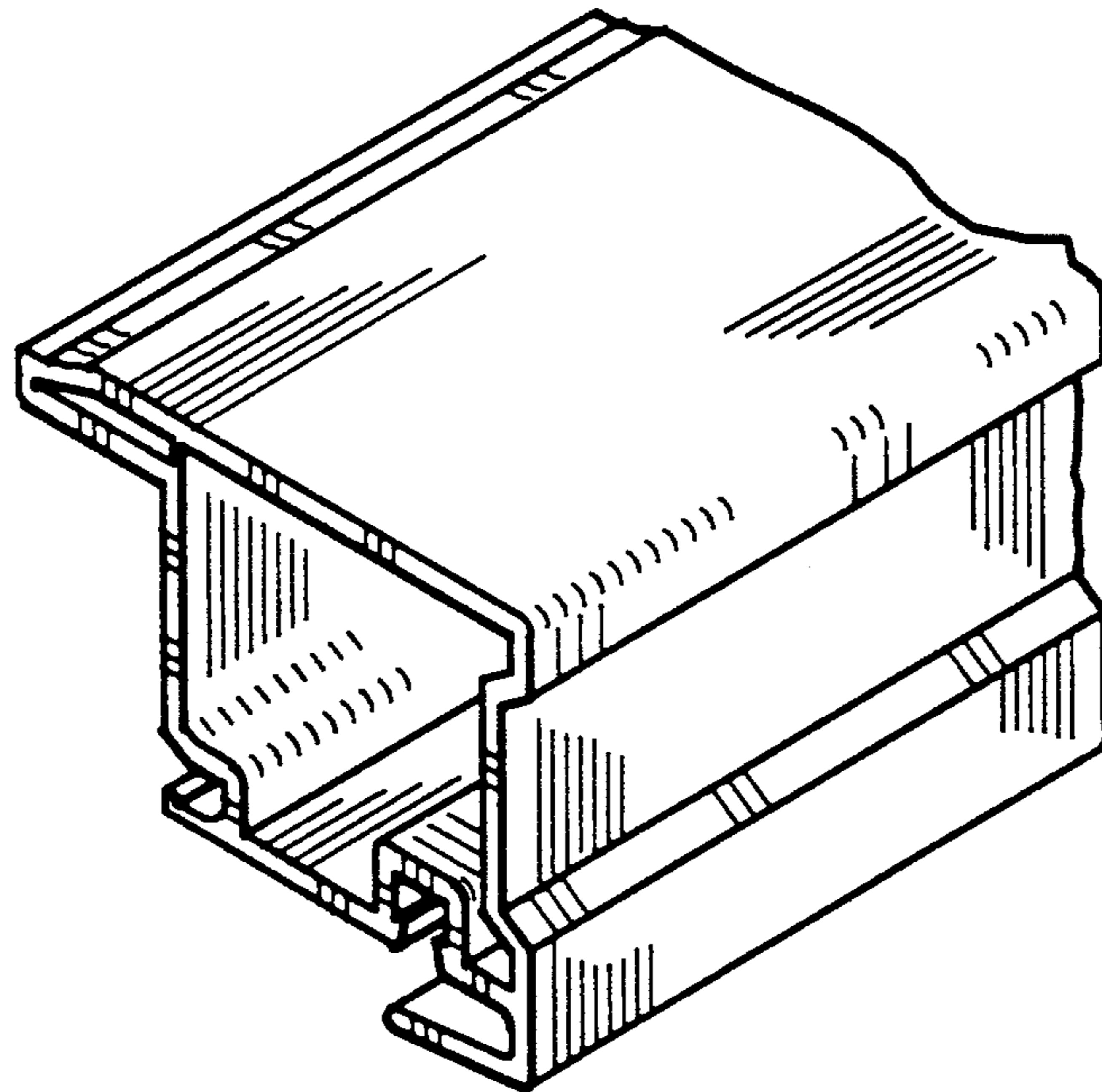


FIG. 1

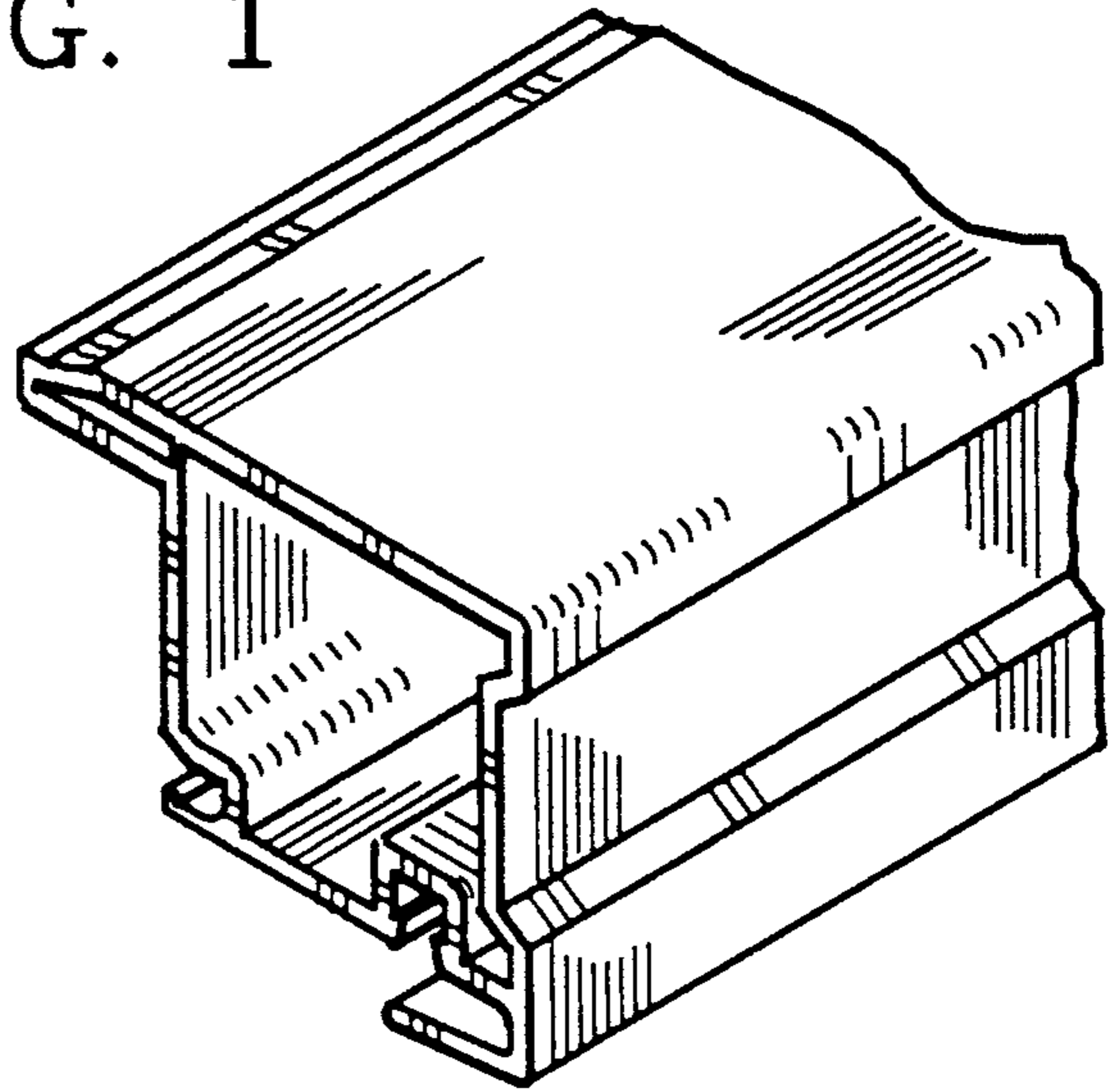


FIG. 2

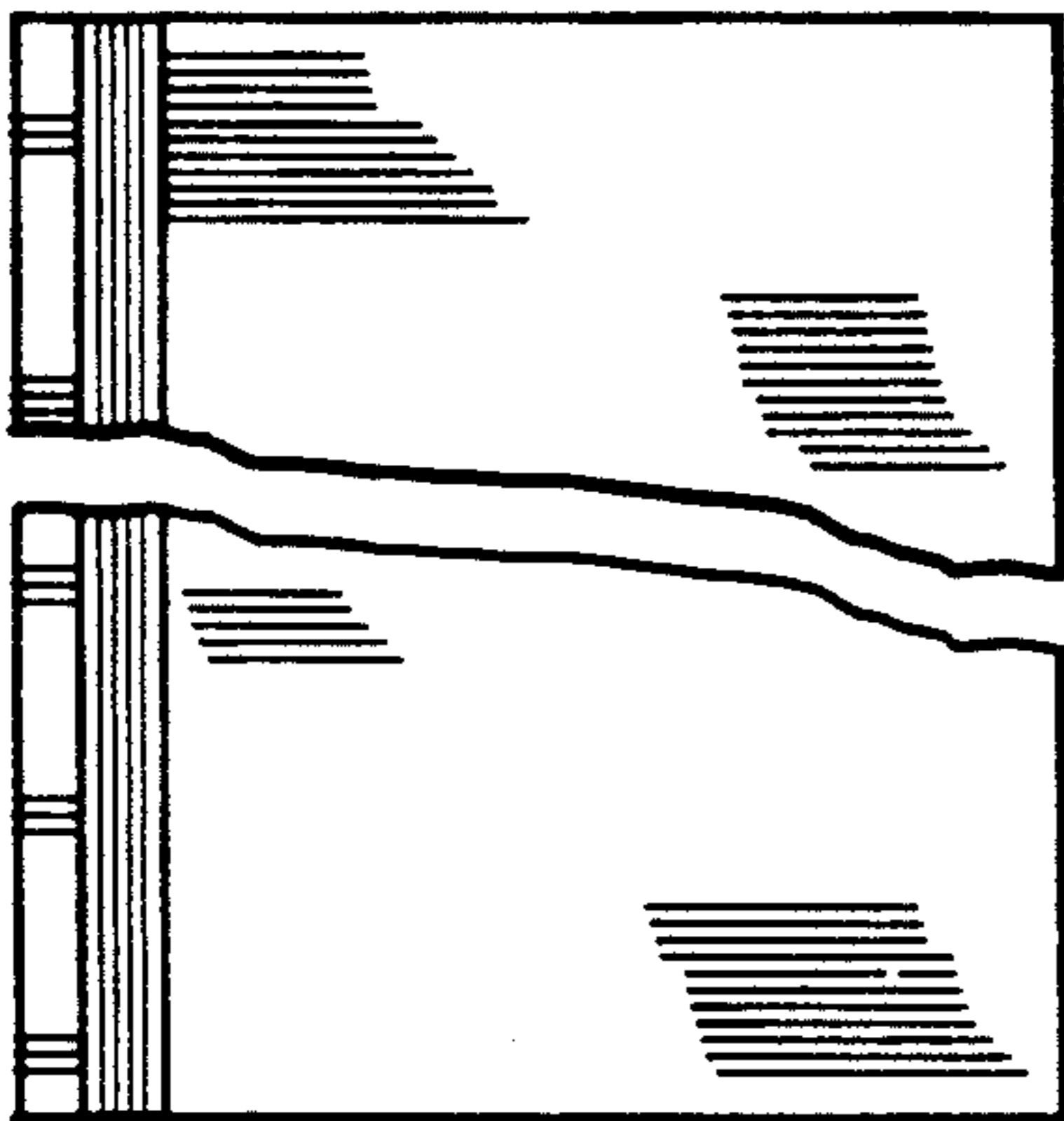


FIG. 5

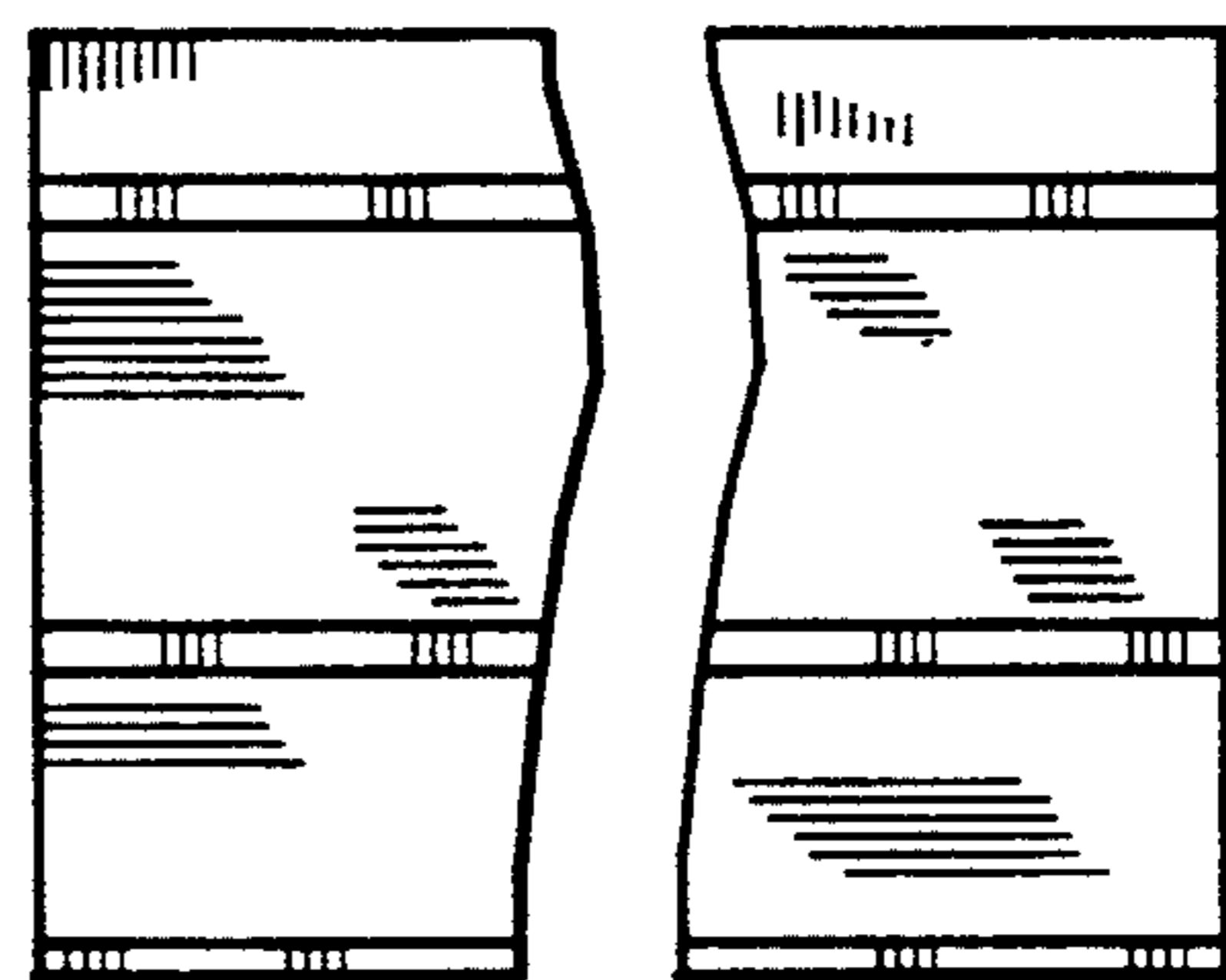


FIG. 3

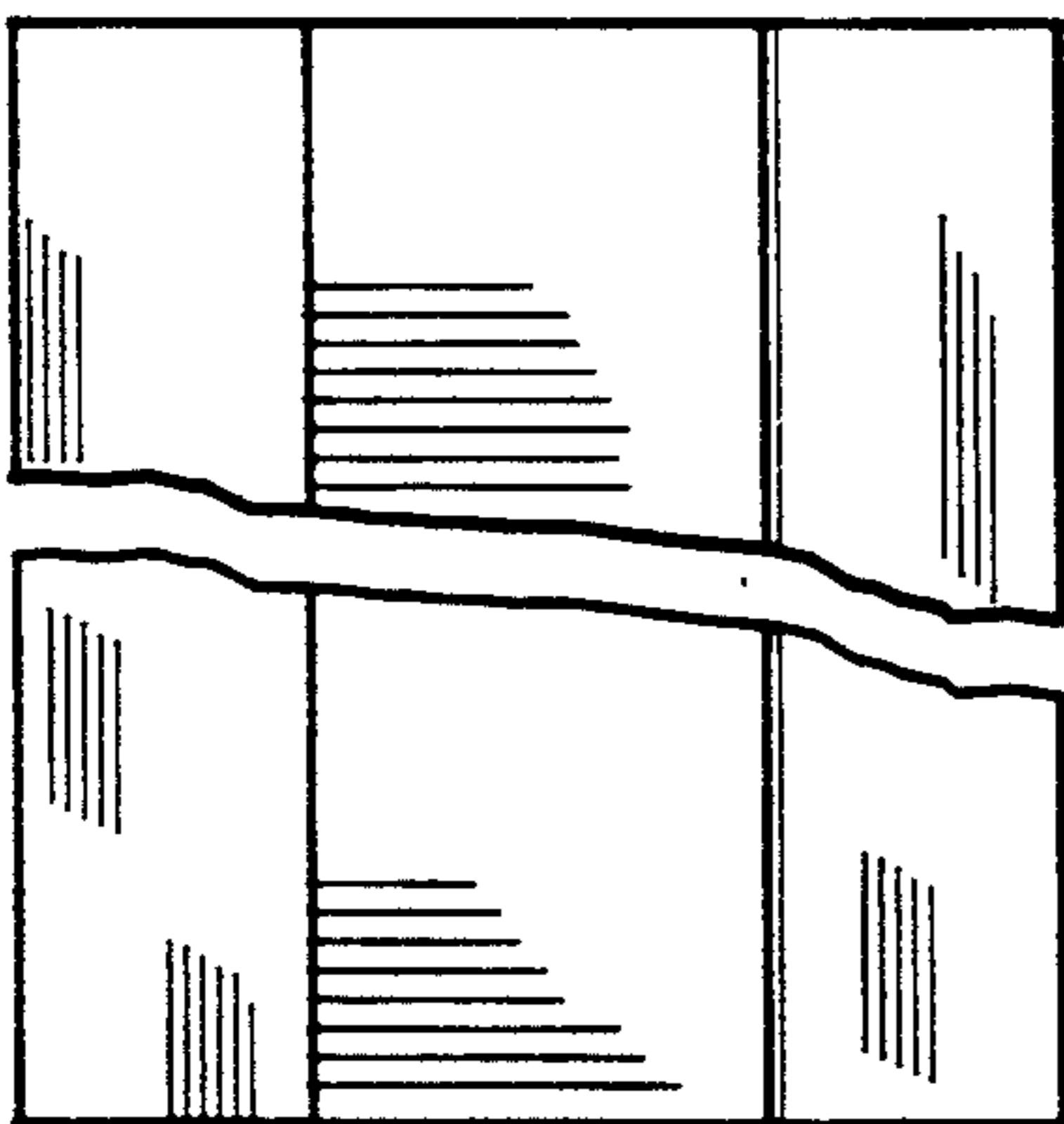


FIG. 6

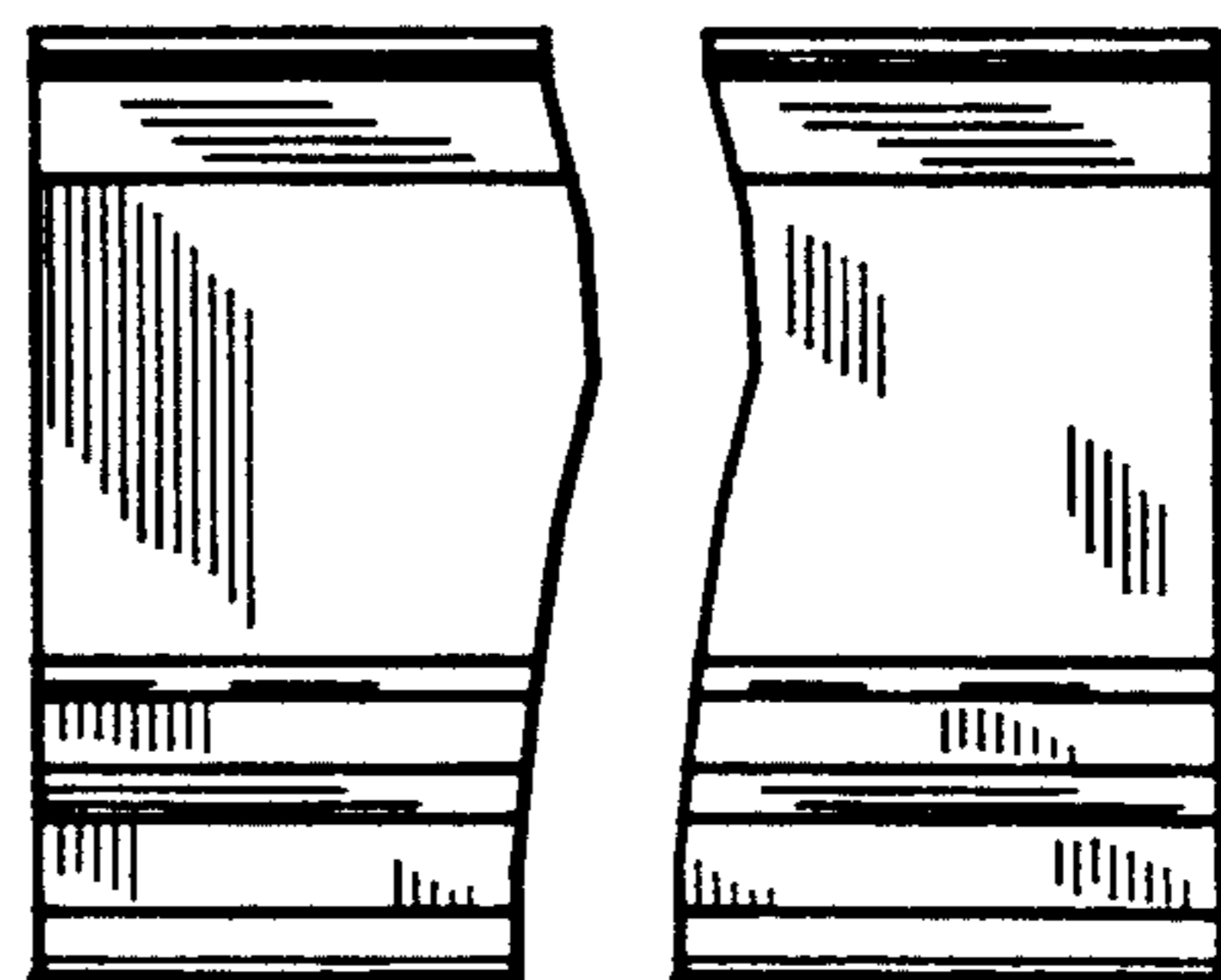


FIG. 4

