



US00D346031S

United States Patent [19]

[11] Patent Number: Des. 346,031

Risi et al.

[45] Date of Patent: ** Apr. 12, 1994

[54] MODULAR BLOCK

[75] Inventors: Angelo Risi; Antonio Risi, both of Richmond Hill, Canada

[73] Assignee: Rothbury Investments Limited, Thornhill, Canada

[**] Term: 14 Years

[21] Appl. No.: 903,802

[22] Filed: Jun. 19, 1992

[30] Foreign Application Priority Data

Dec. 19, 1991 [CA] Canada 19-12-91-2

[52] U.S. Cl. D25/114

[58] Field of Search 52/596, 598, 607-609; D25/113-118, 58

[56] References Cited

U.S. PATENT DOCUMENTS

1,704,255	3/1929	Lewis	52/589
1,879,467	9/1932	Pierres	D25/113
3,102,367	9/1963	Pedersen et al.	52/594
4,474,504	10/1984	Whitman et al.	125/113
4,641,470	2/1987	Baumberger	D25/114
5,181,362	1/1993	Benitez	52/589

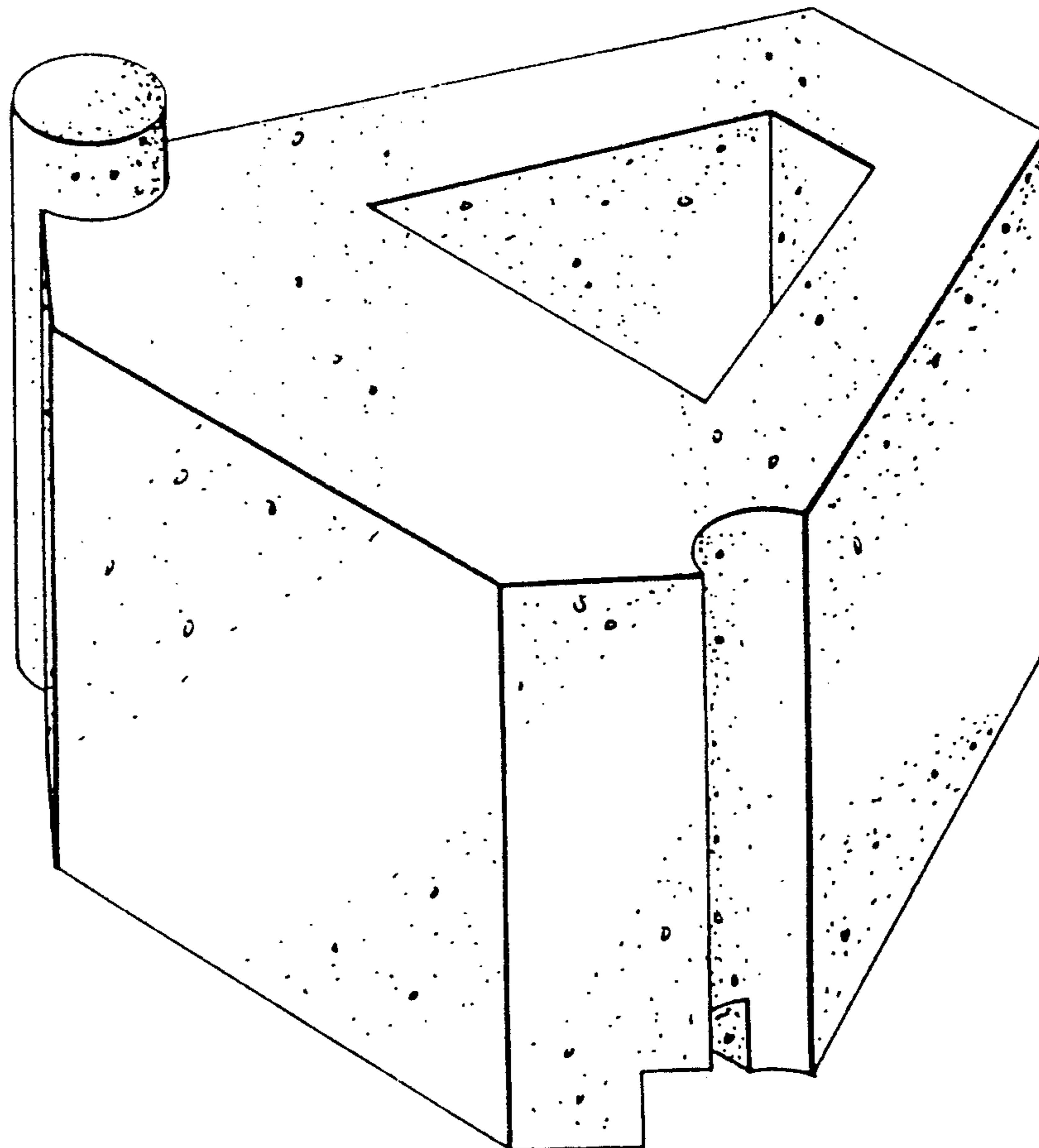
Primary Examiner—A. Hugo Word
Assistant Examiner—Doris Clark
Attorney, Agent, or Firm—Weldon F. Green

[57] CLAIM

The ornamental design for modular block, as shown and described.

DESCRIPTION

FIG. 1 is a top perspective view of a modular block showing our new design;
 FIG. 2 is a bottom perspective view thereof;
 FIG. 3 is a top plan view thereof;
 FIG. 4 is a bottom plan view thereof;
 FIG. 5 is a front elevational view thereof;
 FIG. 6 is a rear elevational view thereof;
 FIG. 7 is a right side elevational view of the modular block shown in FIG. 1 of the drawing;
 FIG. 8 is a left side elevational view of the modular block shown in FIG. 2 of the drawing;
 FIG. 9 is a top perspective view of a second embodiment of a modular block showing our new design;
 FIG. 10 is a bottom perspective view thereof;
 FIG. 11 is a top plan view thereof; and,
 FIG. 12 is a bottom plan view thereof.



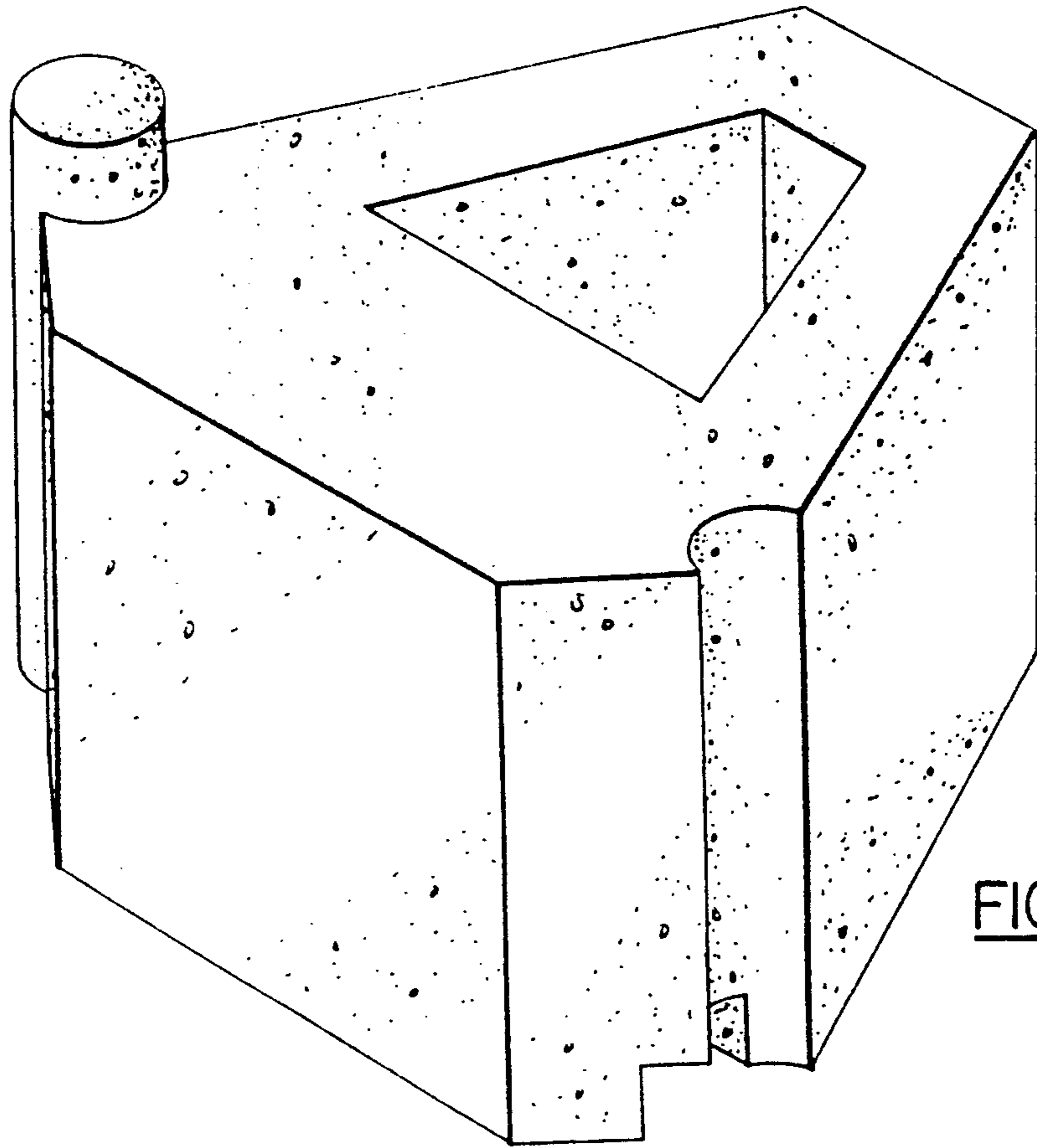


FIG. 1

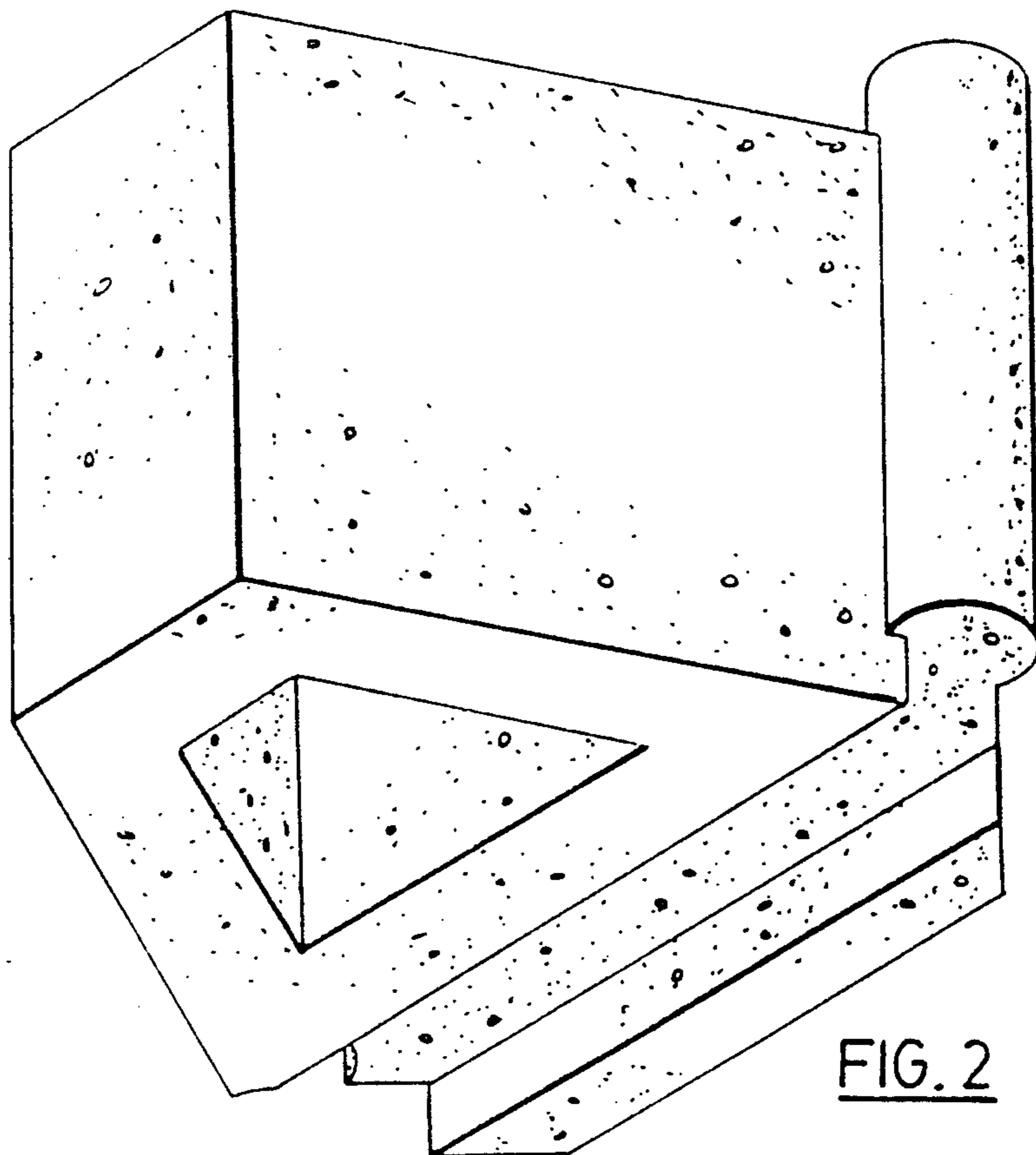


FIG. 2

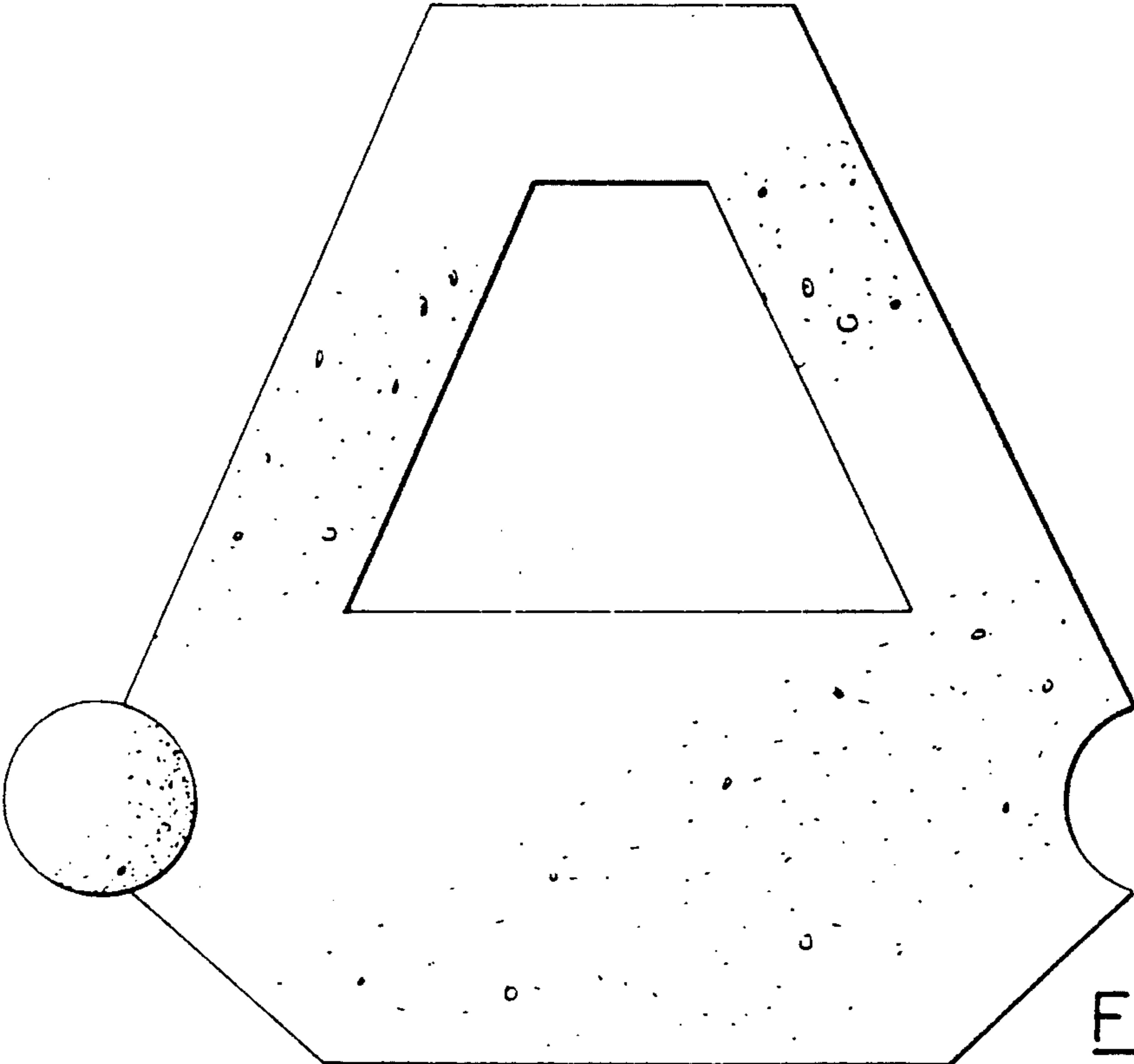


FIG. 3

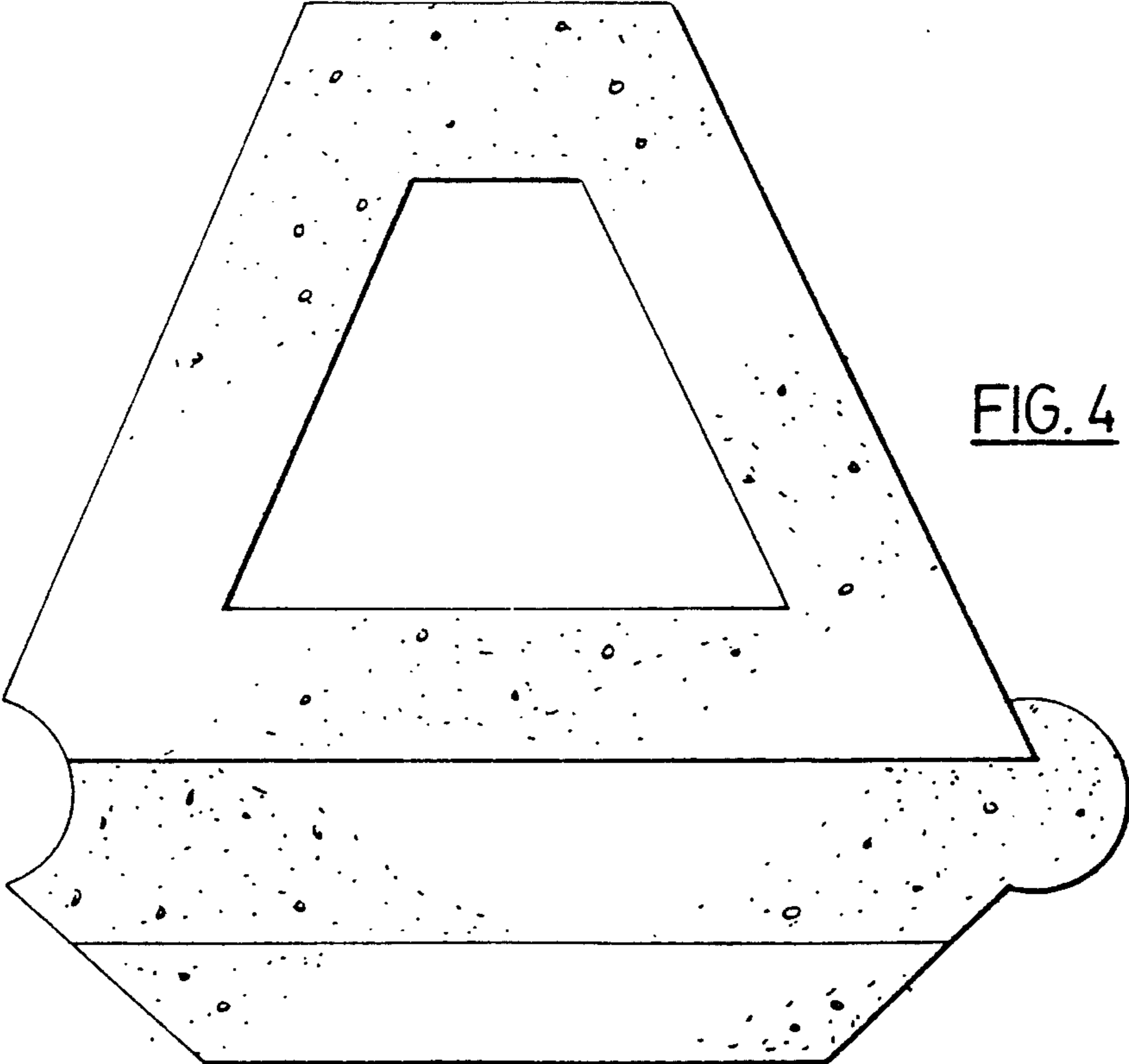


FIG. 4

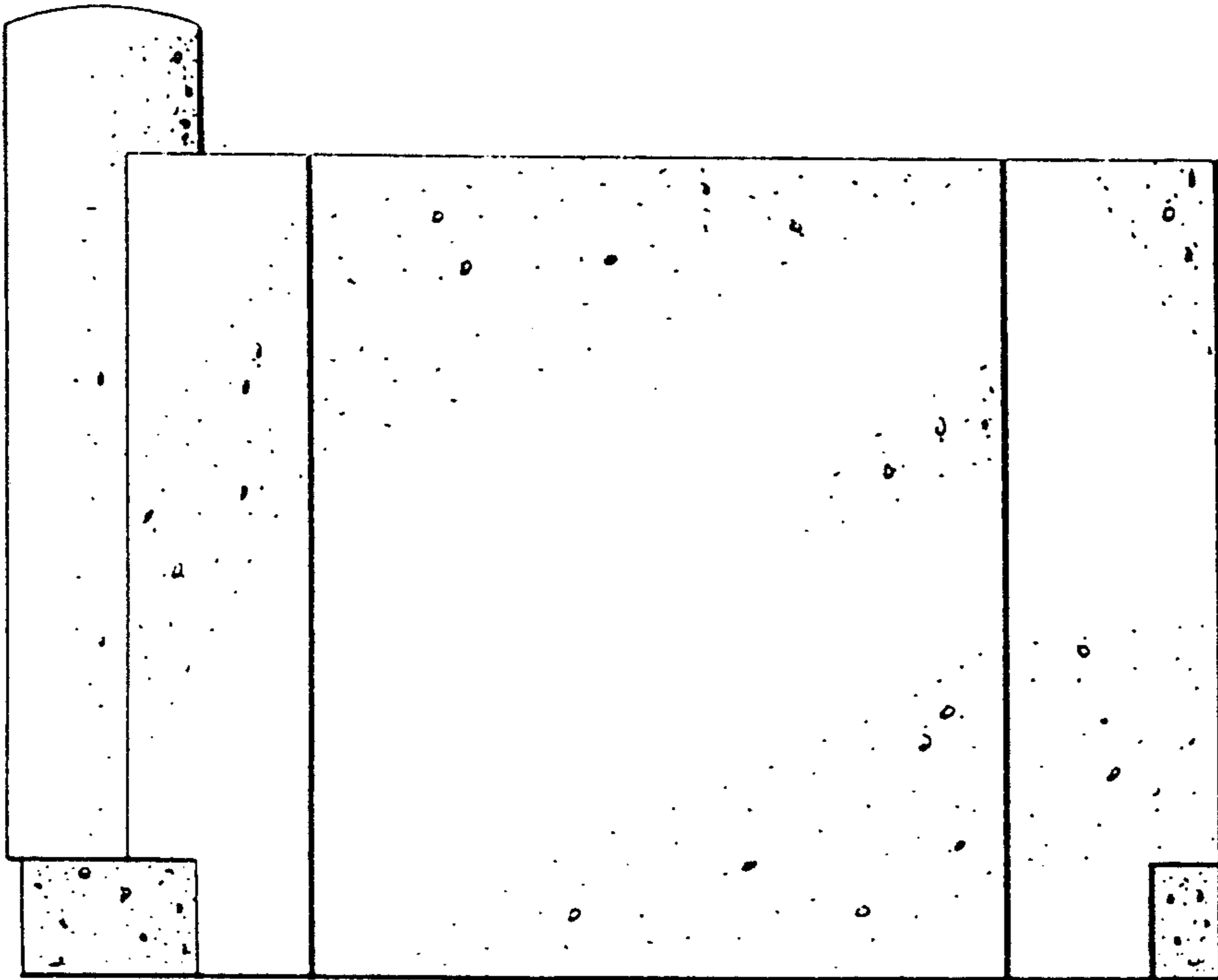


FIG. 5

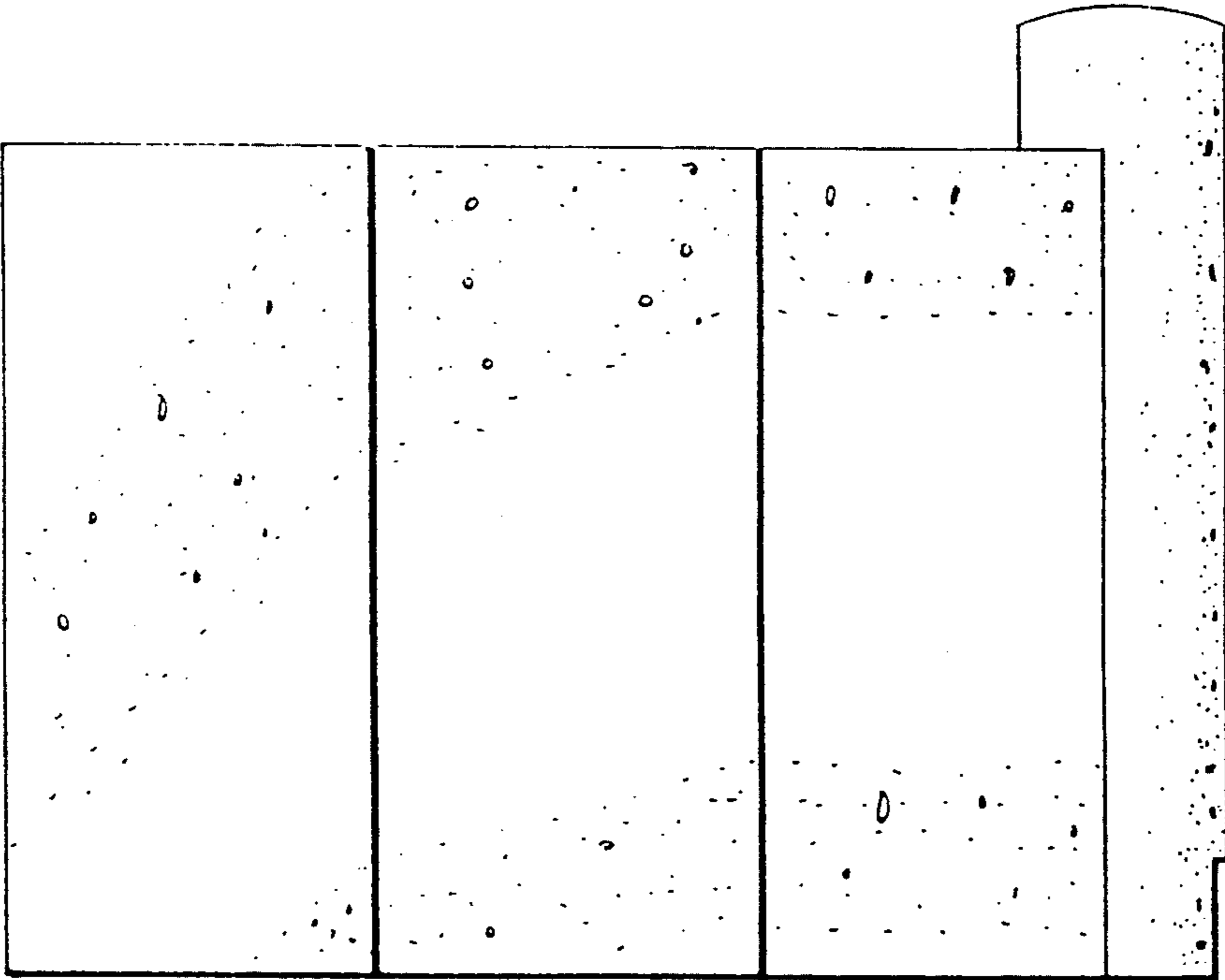


FIG. 6

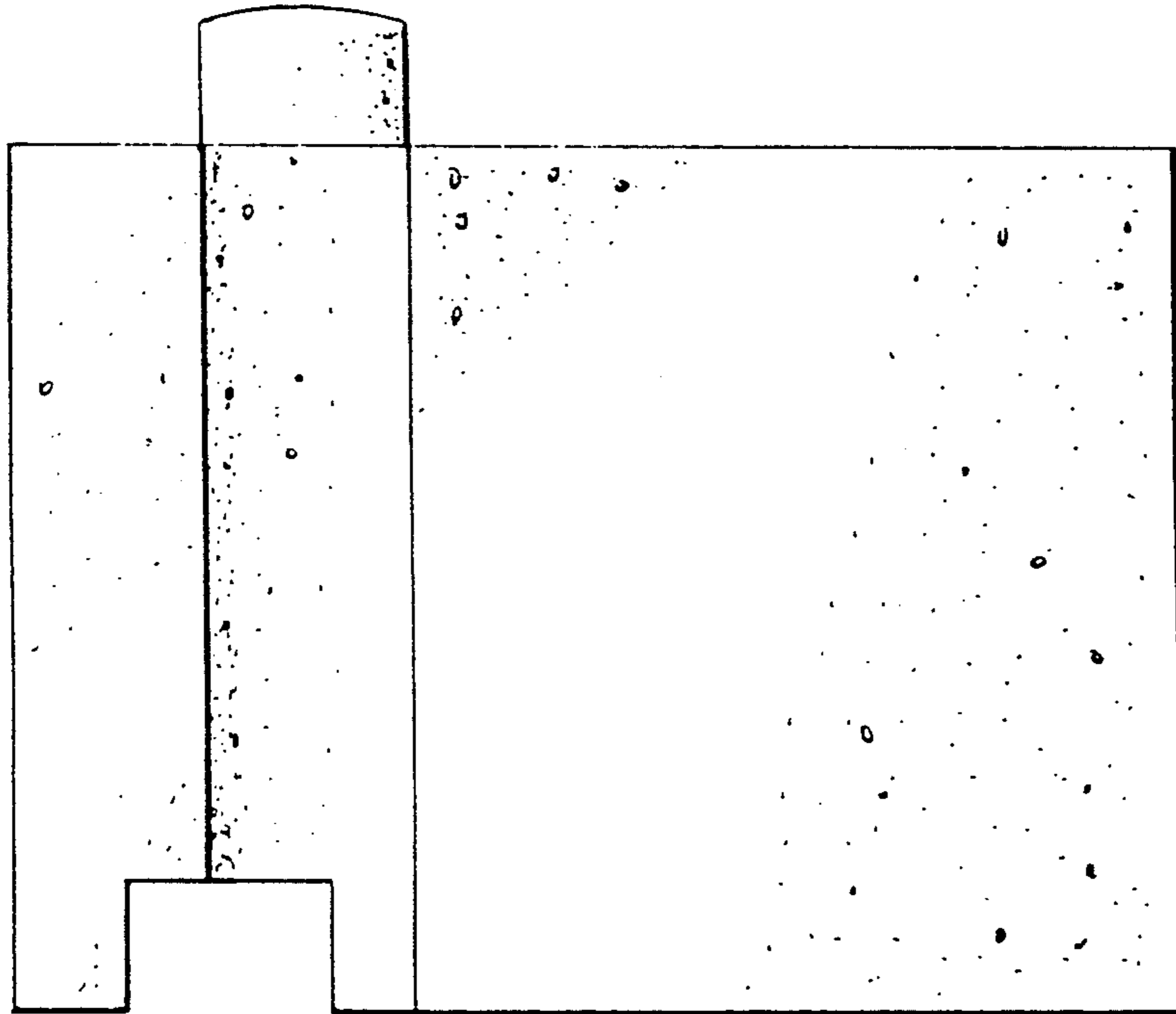


FIG. 7

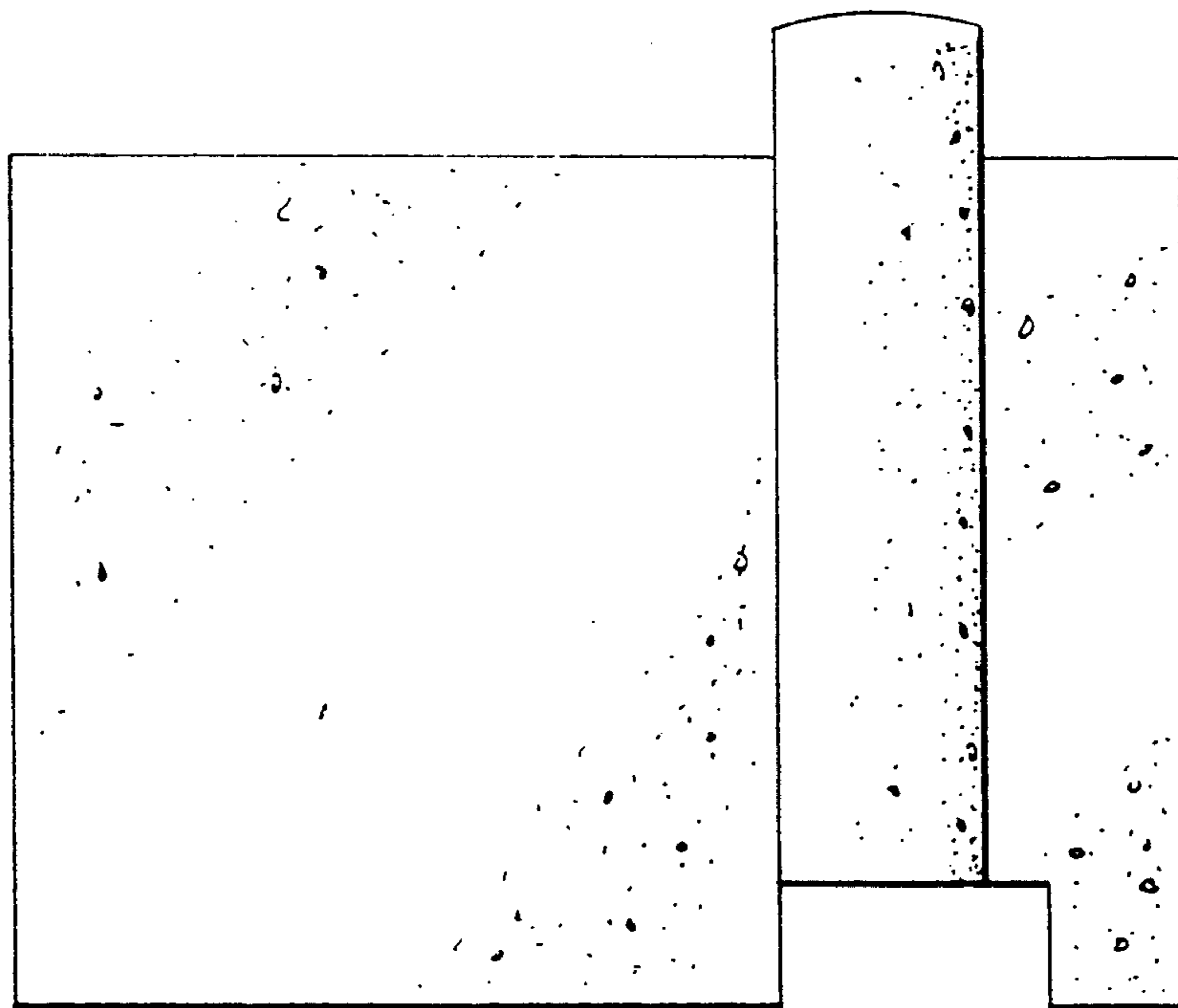
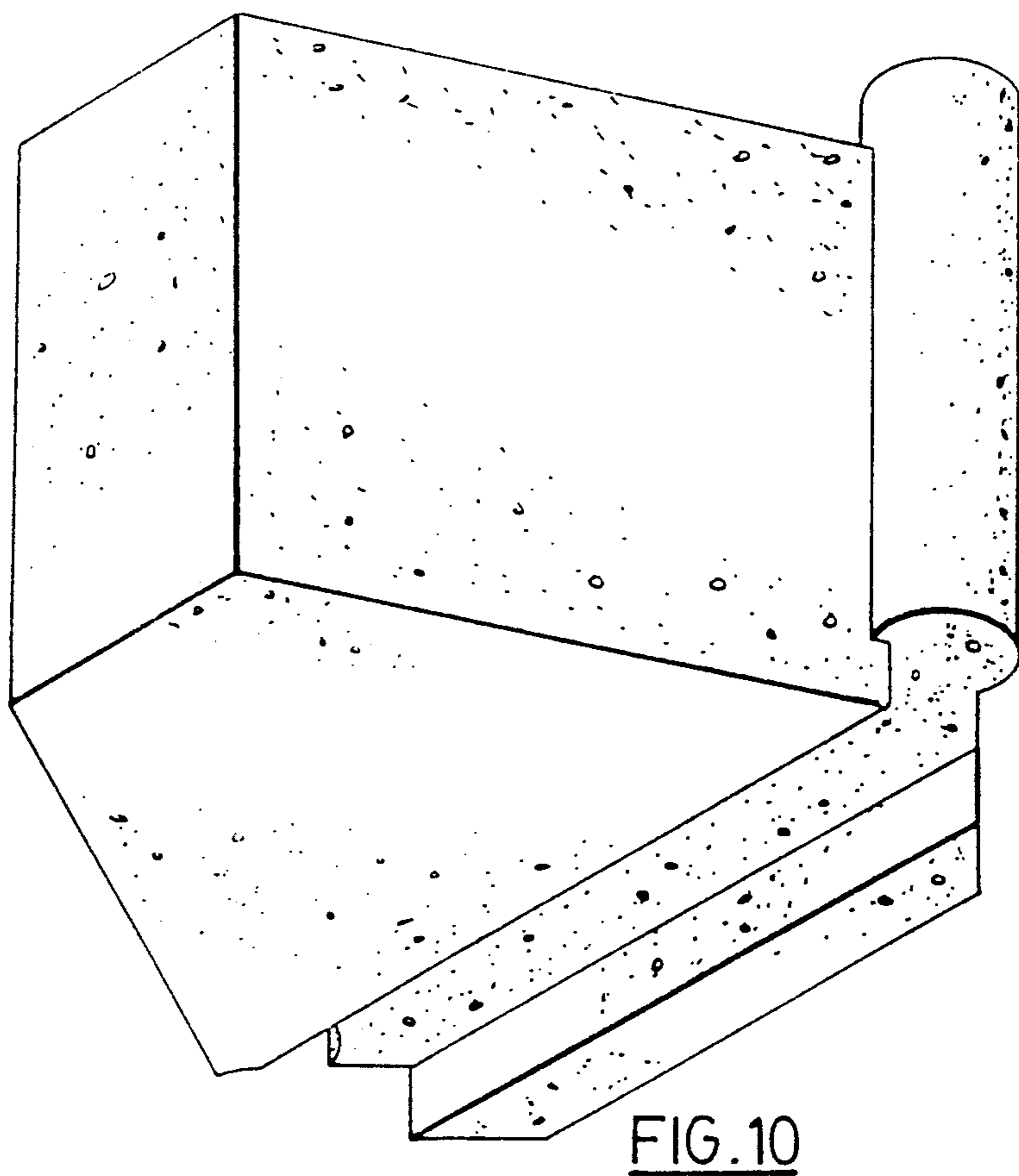
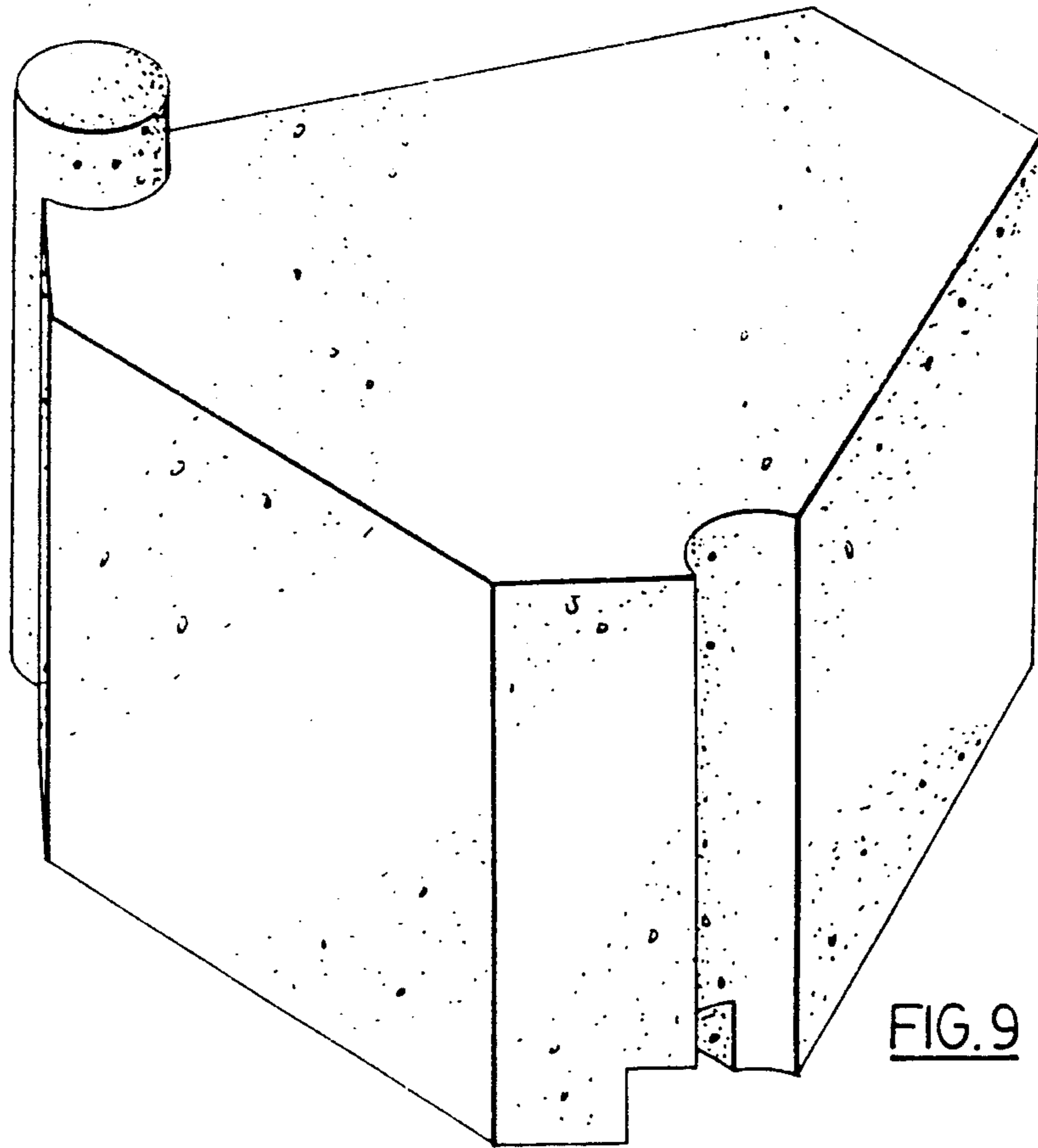


FIG. 8



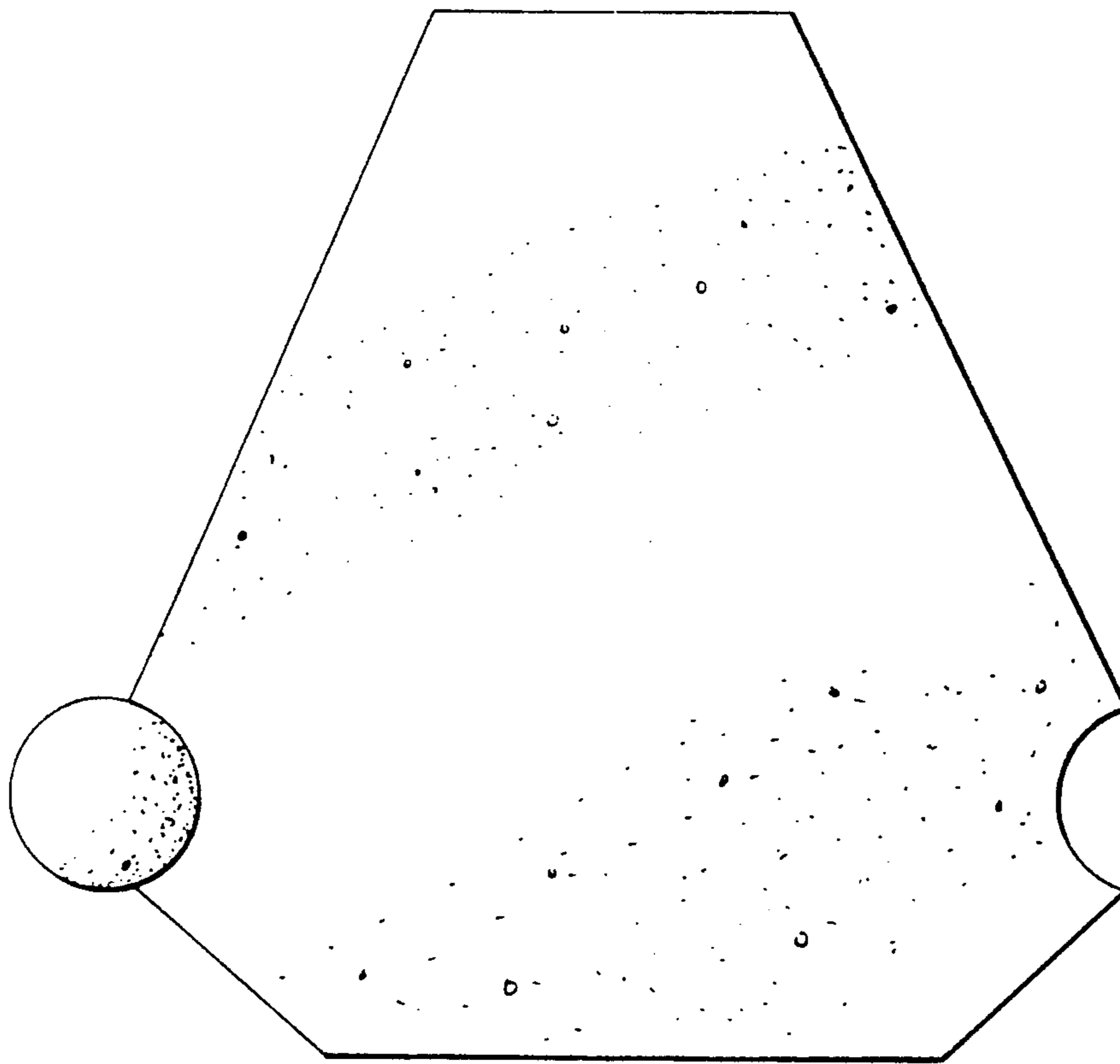


FIG. 11

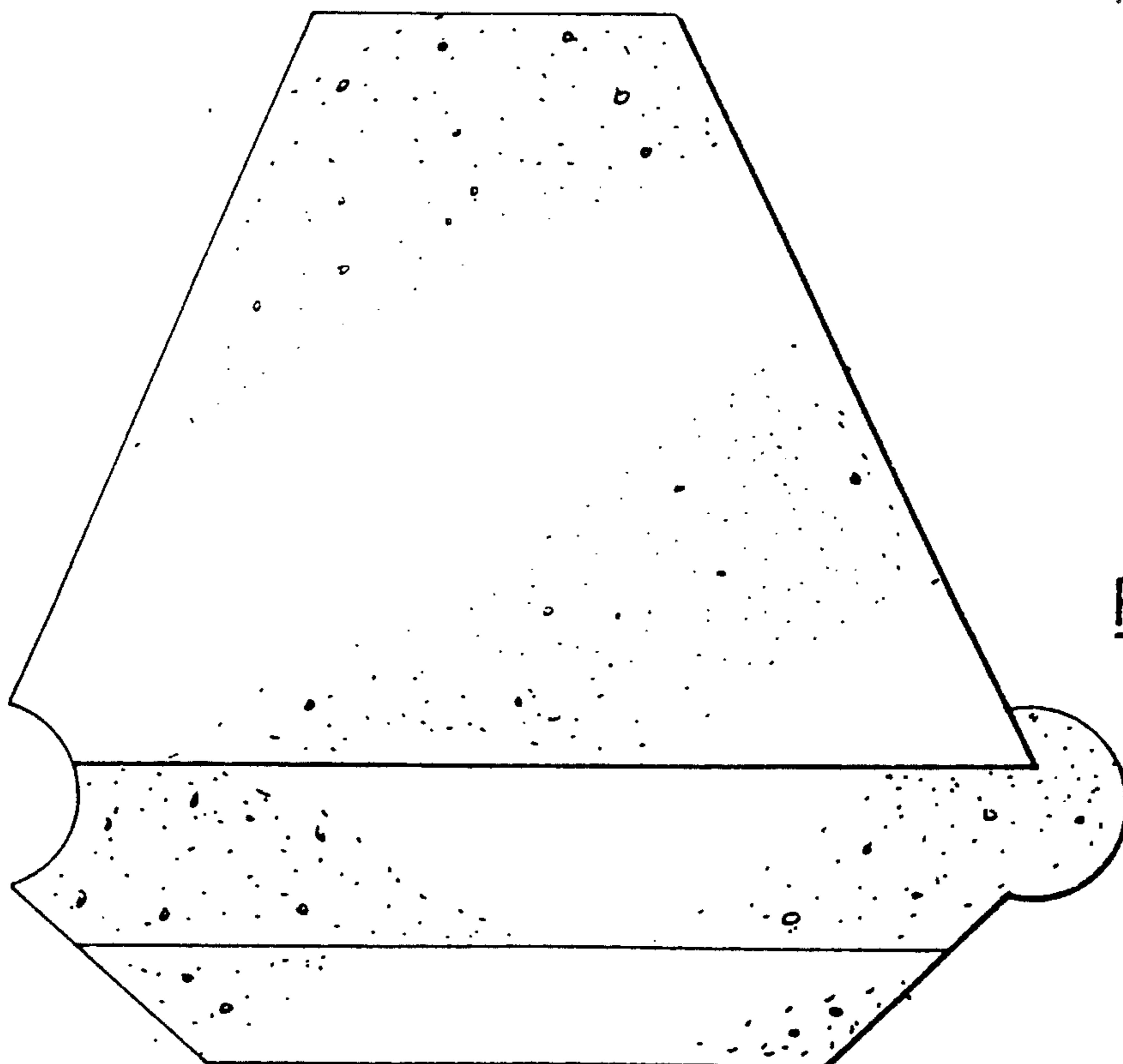


FIG. 12