



US00D346029S

# United States Patent [19]

[11] Patent Number: Des. 346,029

Shalvi

[45] Date of Patent: \*\* Apr. 12, 1994

[54] WRIST BAND FOR RELIEF OF STRESS

[56] References Cited

[75] Inventor: Ram Shalvi, Hong Kong, Hong Kong

### U.S. PATENT DOCUMENTS

4,182,338	1/1980	Stanulis .....	128/325
4,308,861	1/1982	Kelly .....	D24/200 X
4,319,574	3/1982	Suo et al. ....	128/303 R
4,479,495	10/1984	Isaacson .....	128/327

[73] Assignee: Solar Wide Industrial Ltd., Hong Kong, Hong Kong

Primary Examiner—Stella Reid  
Assistant Examiner—Eric M. Watterson  
Attorney, Agent, or Firm—Ostrolenk, Faber, Gerb & Soffen

[\*\*] Term: 14 Years

[57] CLAIM

[21] Appl. No.: 905,027

The ornamental design for a wrist band for relief of stress, as shown and described.

[22] Filed: Jun. 26, 1992

### DESCRIPTION

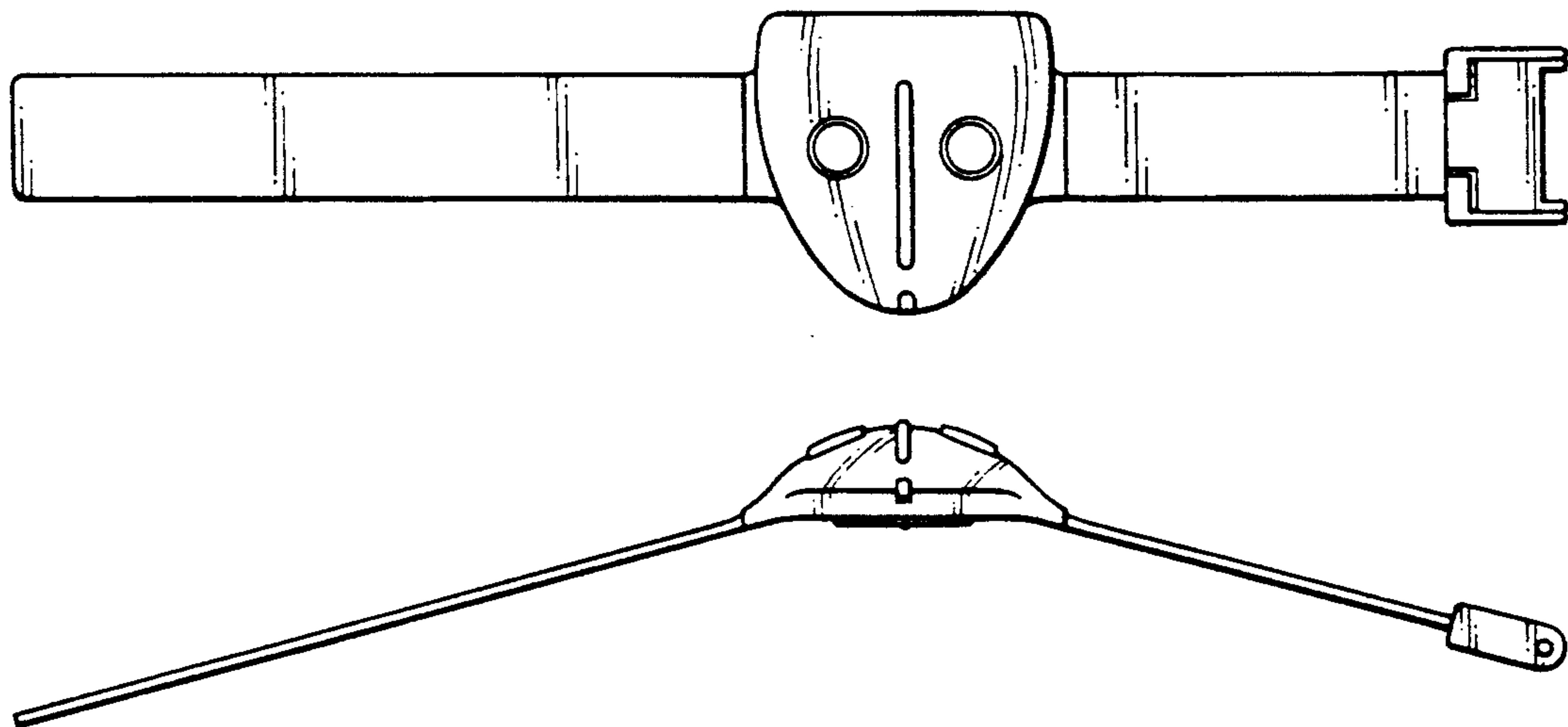
[30] Foreign Application Priority Data

Dec. 27, 1991 [GB] United Kingdom ..... 2019846

[52] U.S. Cl. .... D24/200

[58] Field of Search ..... 128/74; 73/763, 764, 73/770, 773, 775; D24/200

FIG. 1 is a top plan view of a wrist band for relief of stress showing my new design;  
FIG. 2 is a bottom plan view thereof;  
FIG. 3 is a front side view thereof;  
FIG. 4 is a rear side view thereof;  
FIG. 5 is a left hand end view thereof; and,  
FIG. 6 is a right hand end view thereof.



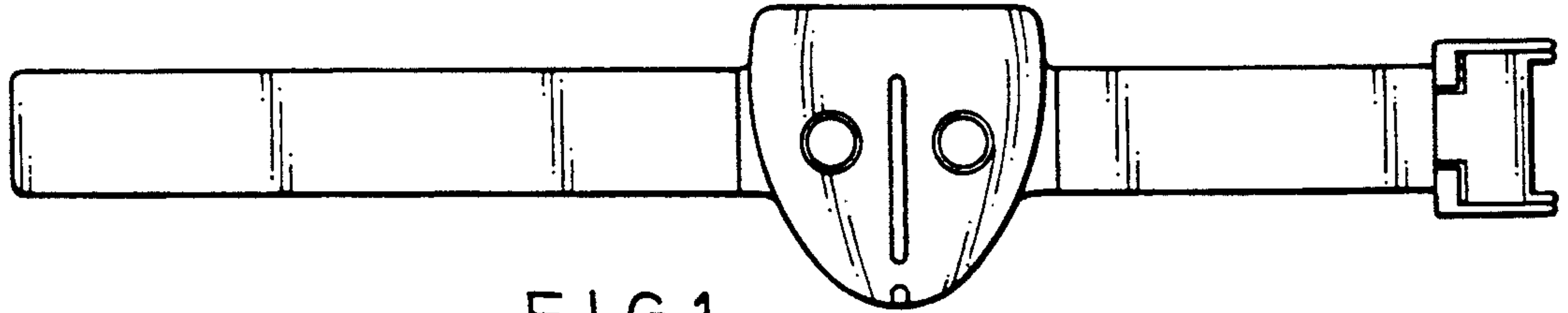


FIG. 1

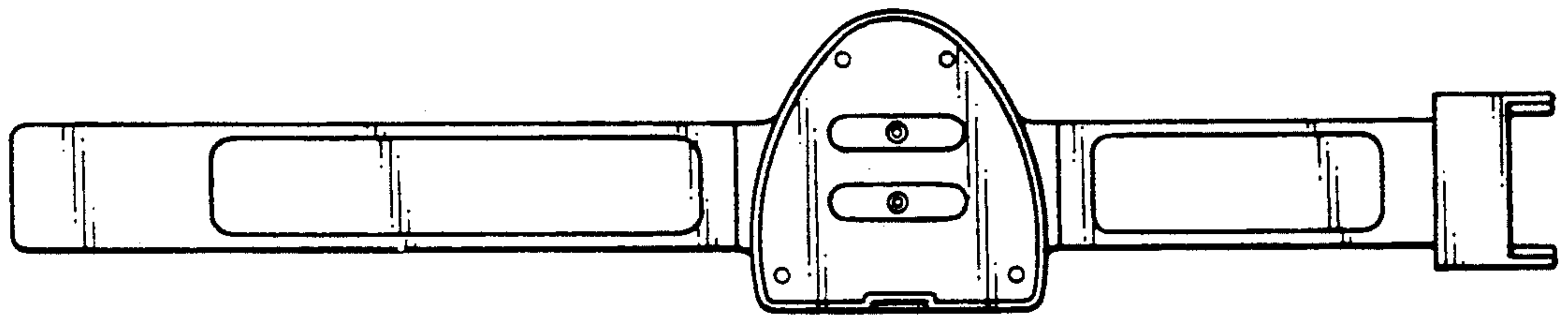


FIG. 2

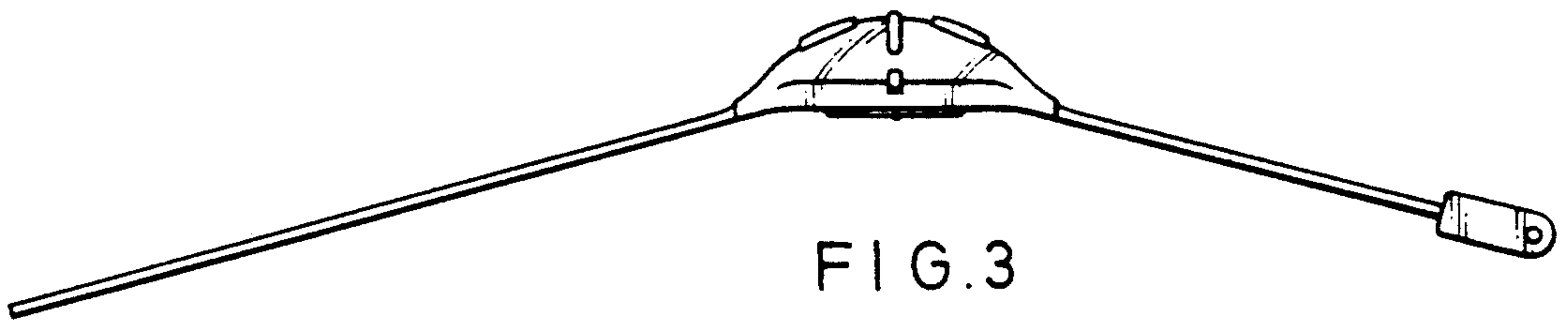


FIG. 3

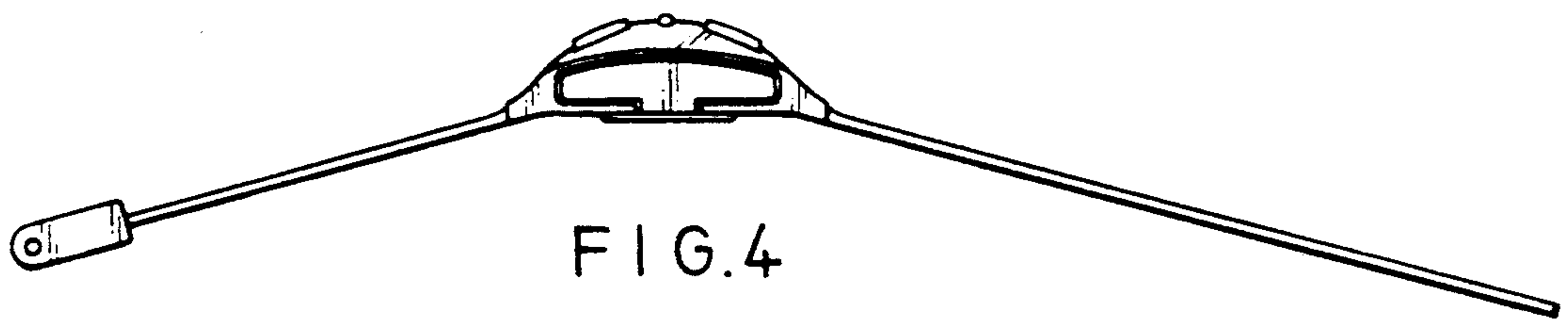


FIG. 4

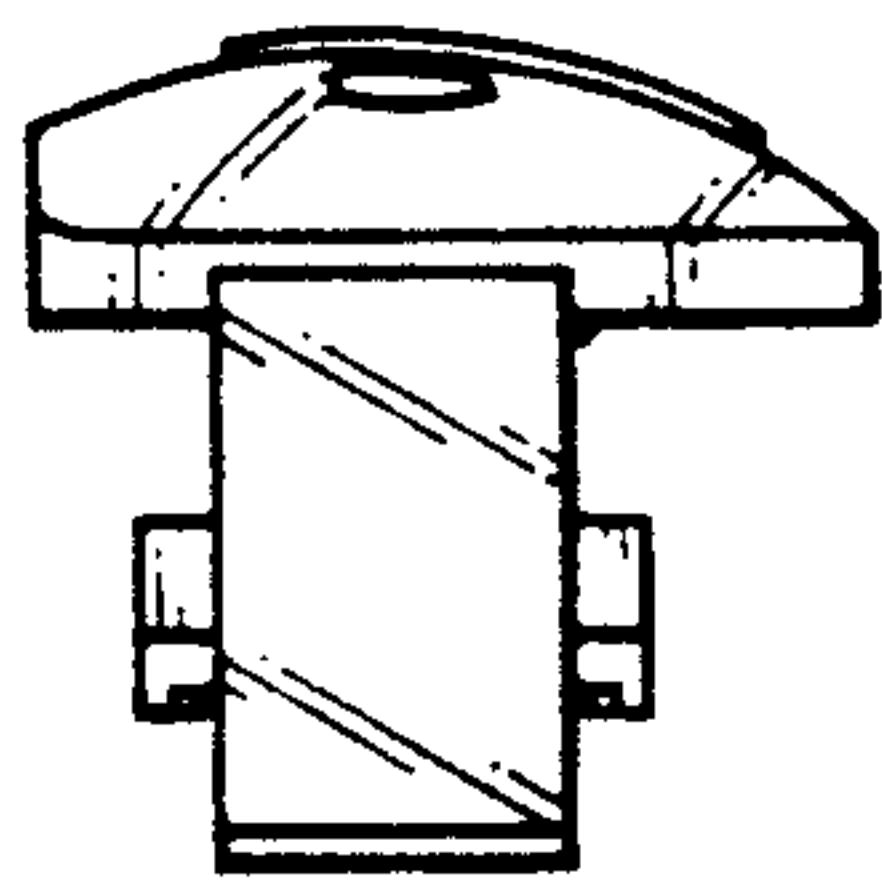


FIG. 5

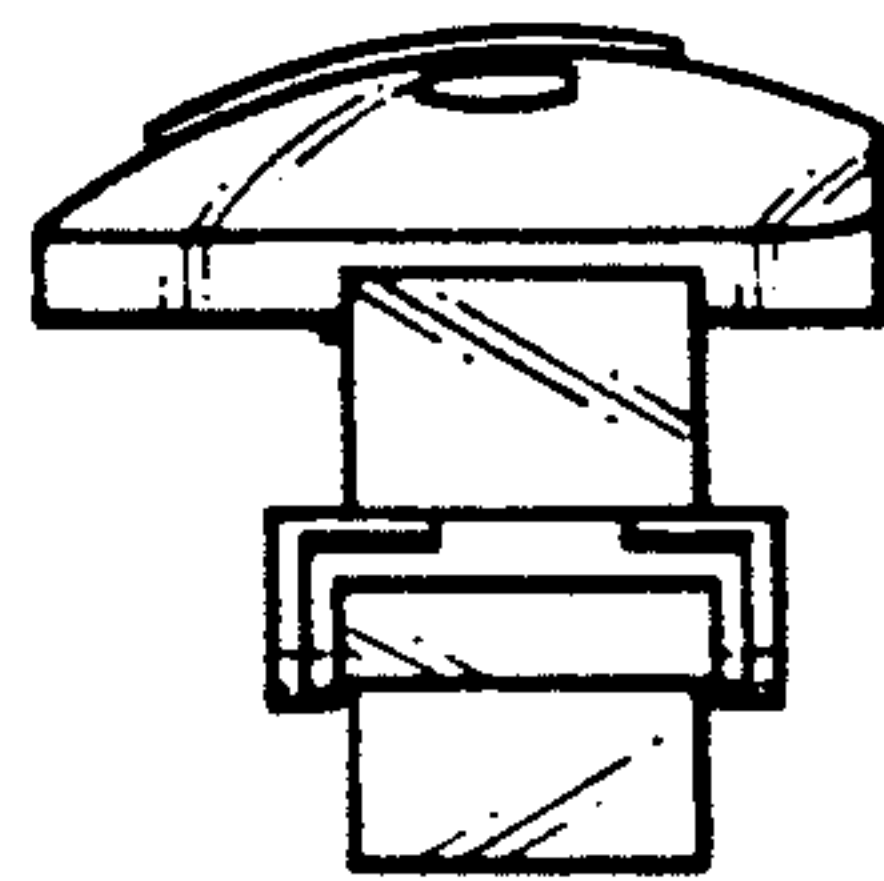


FIG. 6