



US00D346025S

United States Patent [19]

[11] Patent Number: **Des. 346,025**

Chou

[45] Date of Patent: **** Apr. 12, 1994**

[54] **ELECTRONIC CONTROL HOUSING FOR A PIGMENT REMOVAL TOOL**

D. 283,439 4/1986 Smith D24/170
D. 301,370 5/1989 Nippel et al. D24/170
4,671,277 6/1987 Beuchat 606/186 X

[75] Inventor: **Kuei C. Chou, Taipei, Taiwan**

Primary Examiner—A. Hugo Word

[73] Assignee: **Mei-Chi-Na Hsinyen Co., Ltd., Taipei, Taiwan**

Assistant Examiner—I. Simmons

Attorney, Agent, or Firm—Wen Liu

[**] Term: **14 Years**

[57] **CLAIM**

[21] Appl. No.: **920,146**

The ornamental design for an electronic control housing for a pigment removal tool, as shown and described.

[22] Filed: **Jul. 24, 1992**

DESCRIPTION

[52] U.S. Cl. **D24/170; D24/144**

FIG. 1 is a top plan, front and left side perspective view of an electronic pigment removal machine showing my new design; and,

[58] Field of Search 606/186, 116; 128/898; 81/9.22; 604/47; D24/144, 145, 146, 170

FIG. 2 is a bottom plan, rear and right side perspective view.

[56] **References Cited**

U.S. PATENT DOCUMENTS

D. 250,480 12/1978 Wettermann et al. D24/170
D. 264,122 4/1982 Oosten et al. D24/170

The broken line showing of the pigment removal pen in FIG. 1 is for illustrative purposes only and forms no part of the claimed design.

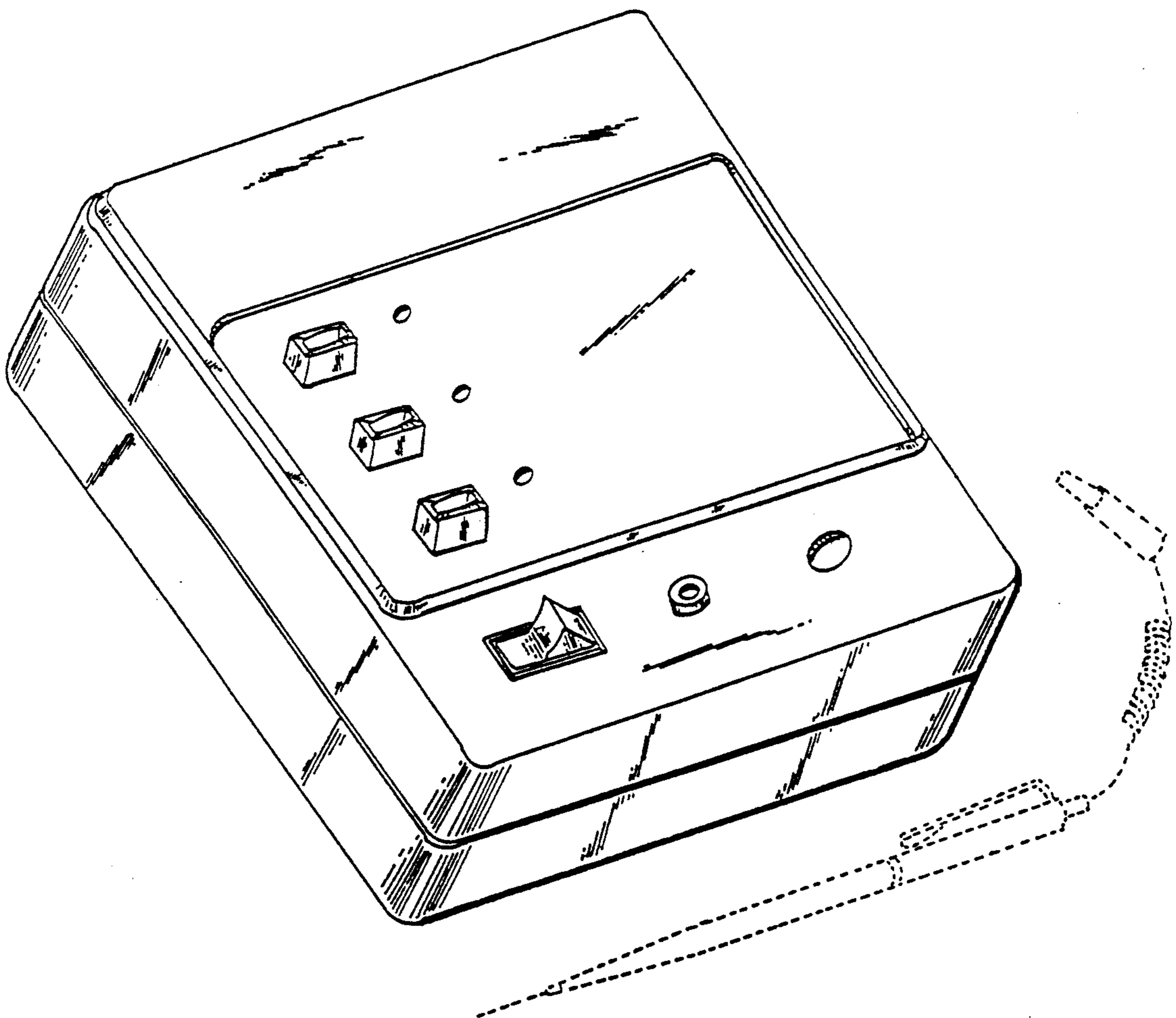


FIG. 1

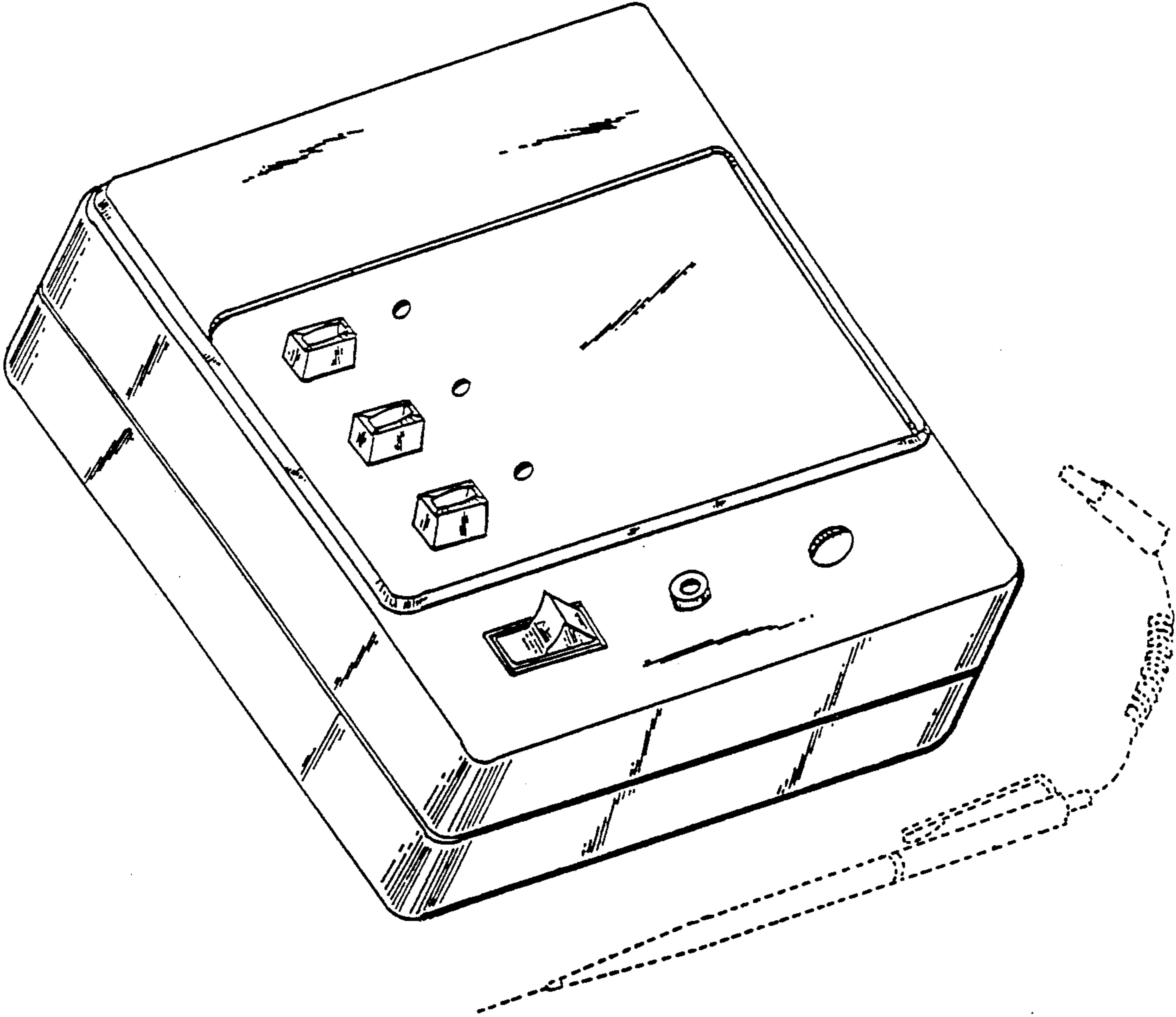


FIG. 2

