



US00D346023S

# United States Patent [19]

[11] Patent Number: **Des. 346,023**

Stewart, Sr.

[45] Date of Patent: **\*\* Apr. 12, 1994**

[54] **MANUALLY ACTUATED VACUUM PUMP FOR MALE SEXUAL DYSFUNCTION**

4,741,329 5/1988 Marcune .  
4,856,499 8/1989 Kelly ..... 600/38  
4,892,517 1/1990 Yuan et al. .  
5,020,522 6/1991 Stewart .

[76] Inventor: **Edward T. Stewart, Sr.**, 107 Plaza Ter., Dodge City, Kans. 67801

*Primary Examiner*—A. Hugo Word  
*Assistant Examiner*—I. Simmons  
*Attorney, Agent, or Firm*—Hovey, Williams, Timmons & Collins

[\*\*] Term: **14 Years**

[21] Appl. No.: **891,456**

[57] **CLAIM**

[22] Filed: **May 28, 1992**

[52] U.S. Cl. .... **D24/143**

[58] Field of Search ..... 128/79; 600/38, 39, 600/41; D24/143; D15/7

The ornamental design for a manually actuated vacuum pump for male sexual dysfunction, as shown and described.

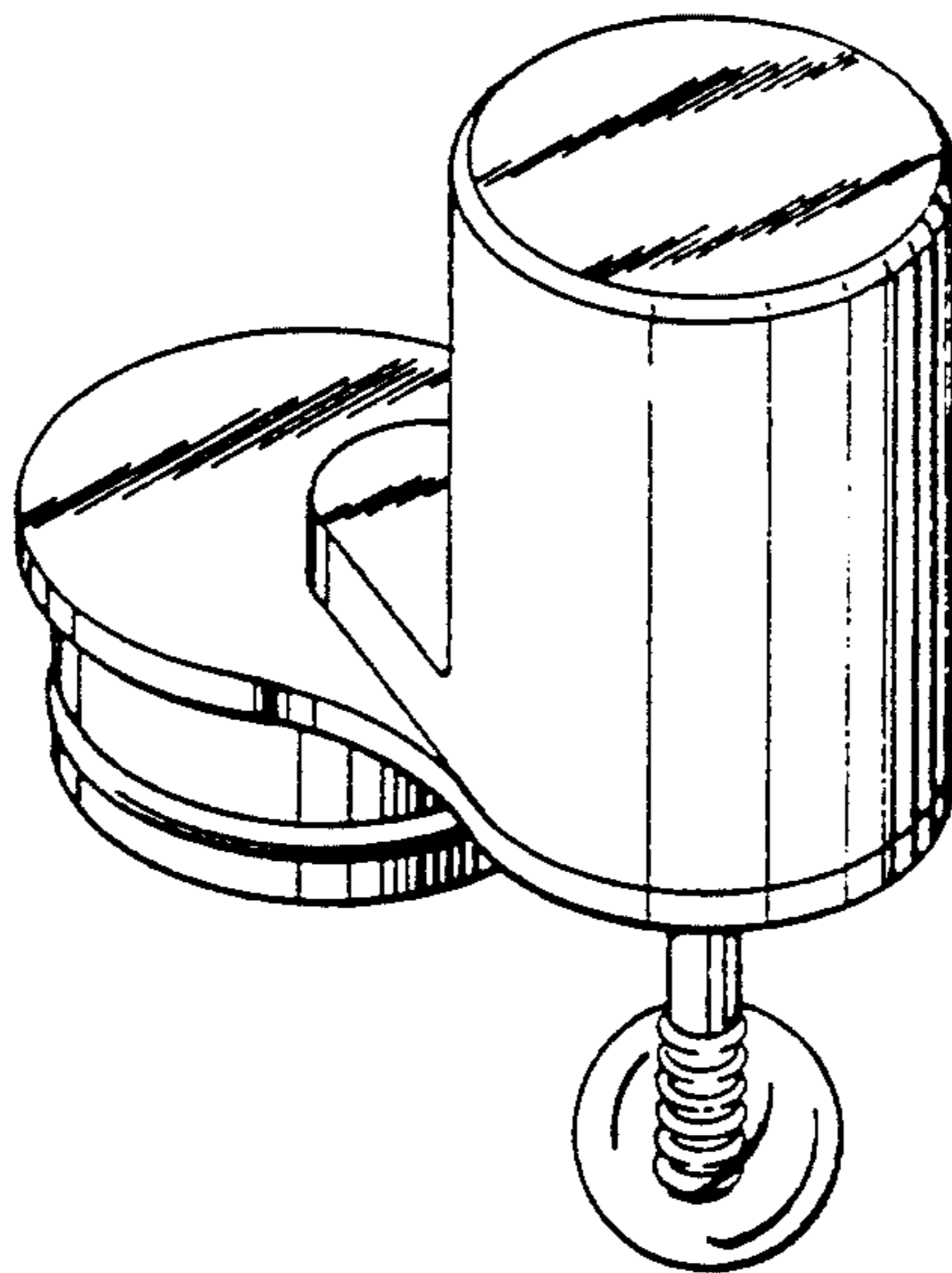
[56] **References Cited**

**DESCRIPTION**

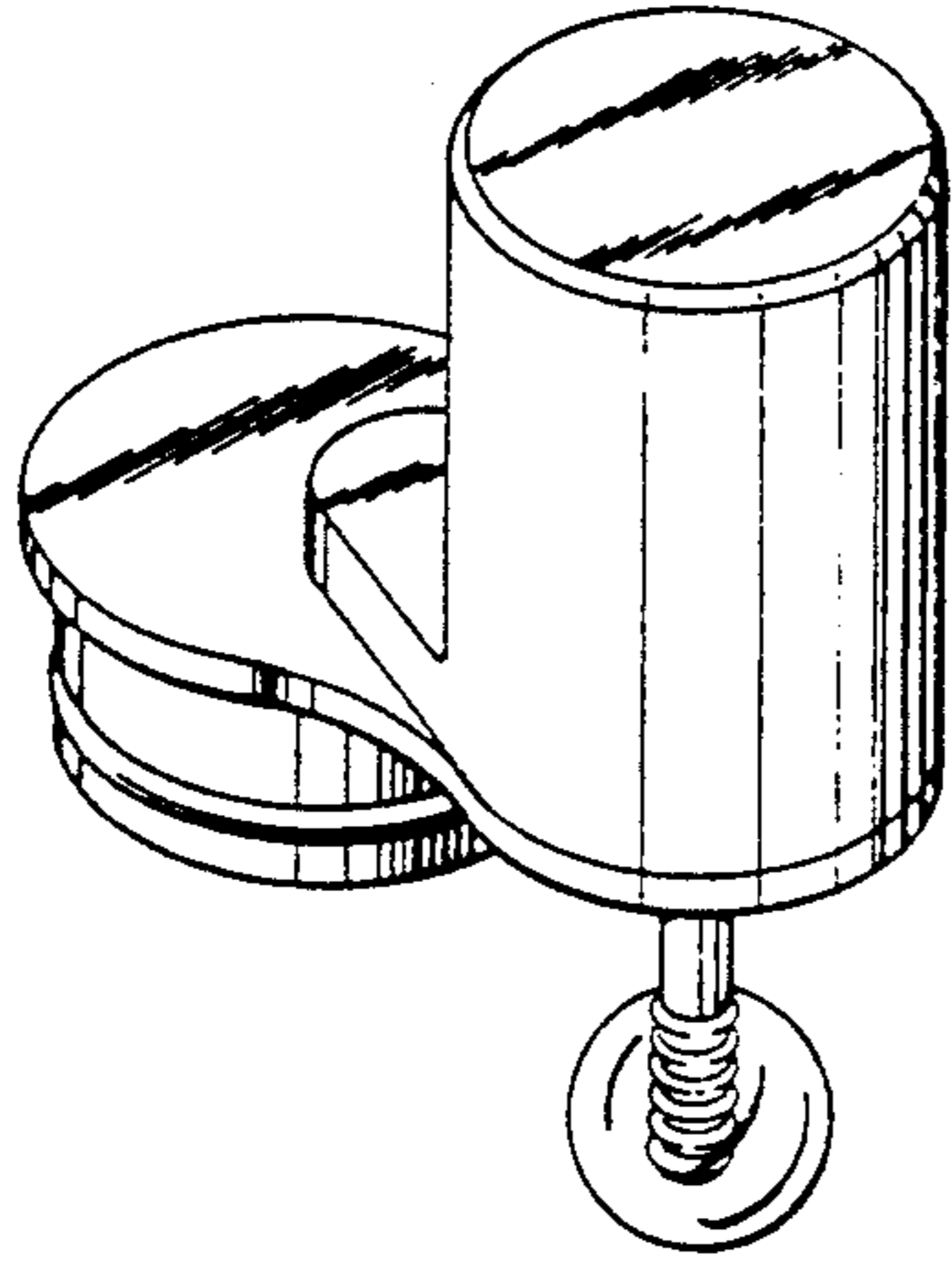
**U.S. PATENT DOCUMENTS**

D. 330,081	10/1992	Walsh	.....	D24/143
1,225,341	5/1917	Lederer	.	
2,874,698	2/1959	Sell	.	
3,421,504	1/1969	Gibbons	.	
3,631,853	1/1972	Burdette, Jr.	.	
3,744,486	7/1973	Wilson	.	

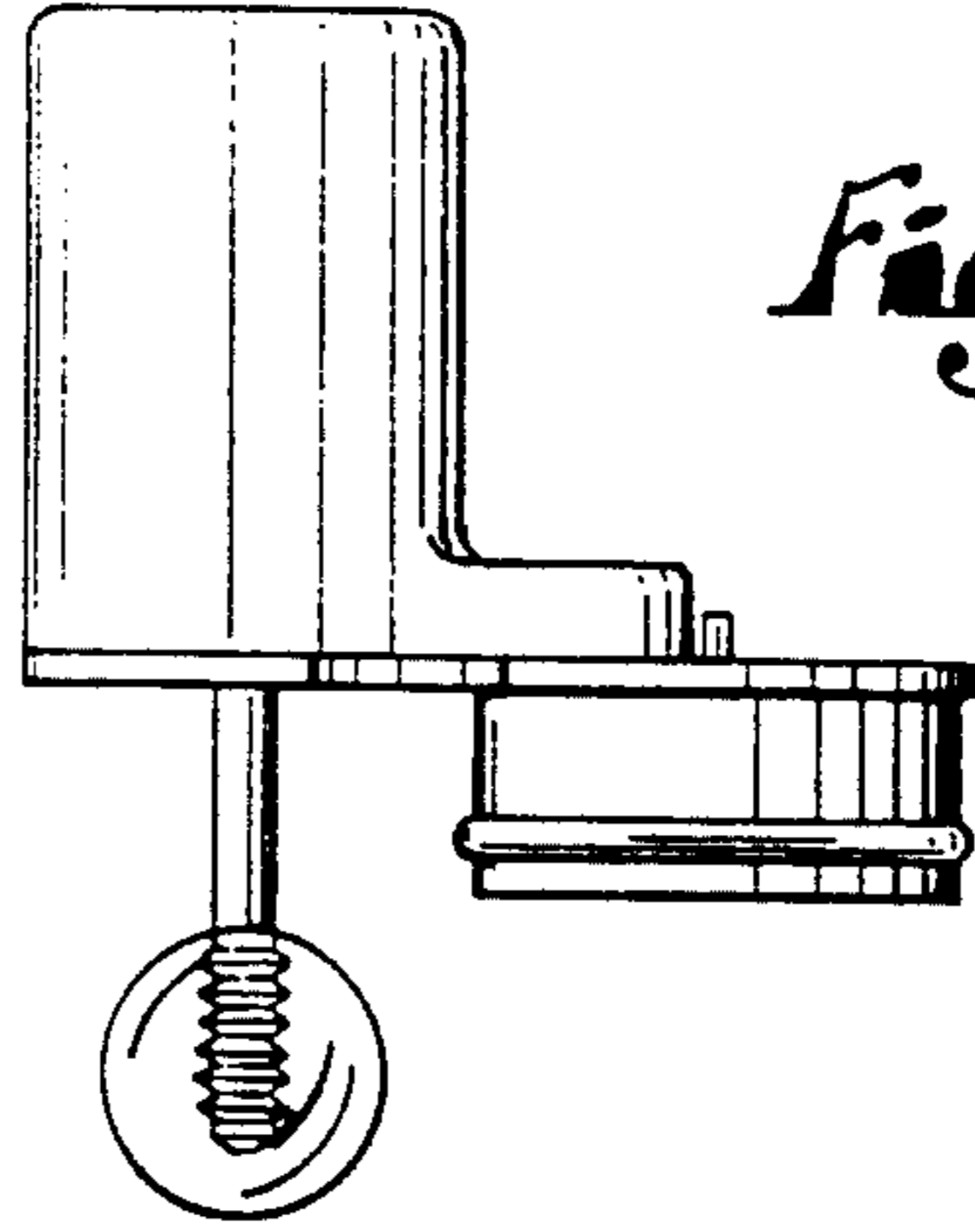
FIG. 1 is a perspective view of the manually actuated vacuum pump for male sexual dysfunction hereof; FIG. 2 is a side elevational view thereof; FIG. 3 is a top plan view thereof; FIG. 4 is a rear elevational view thereof; FIG. 5 is a front elevational view thereof; and, FIG. 6 is a bottom view thereof.



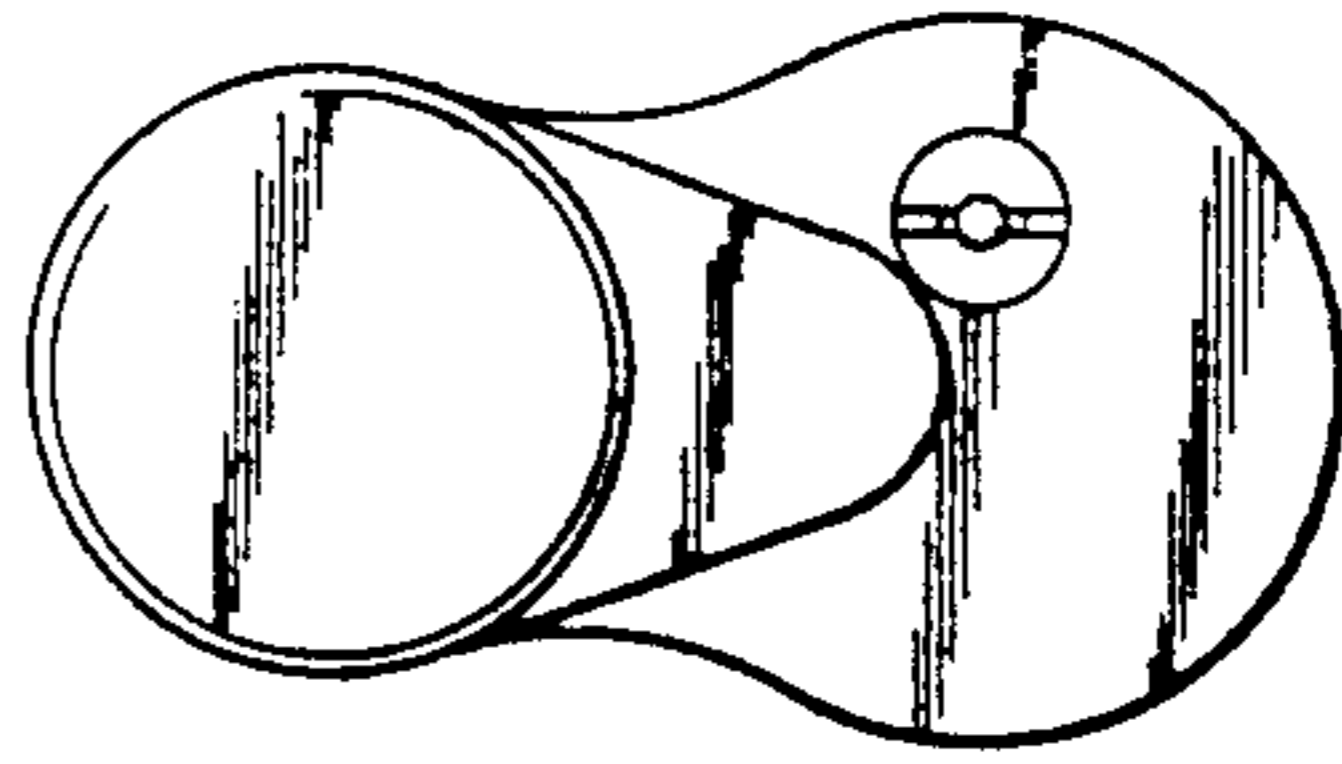
*Fig. 1*



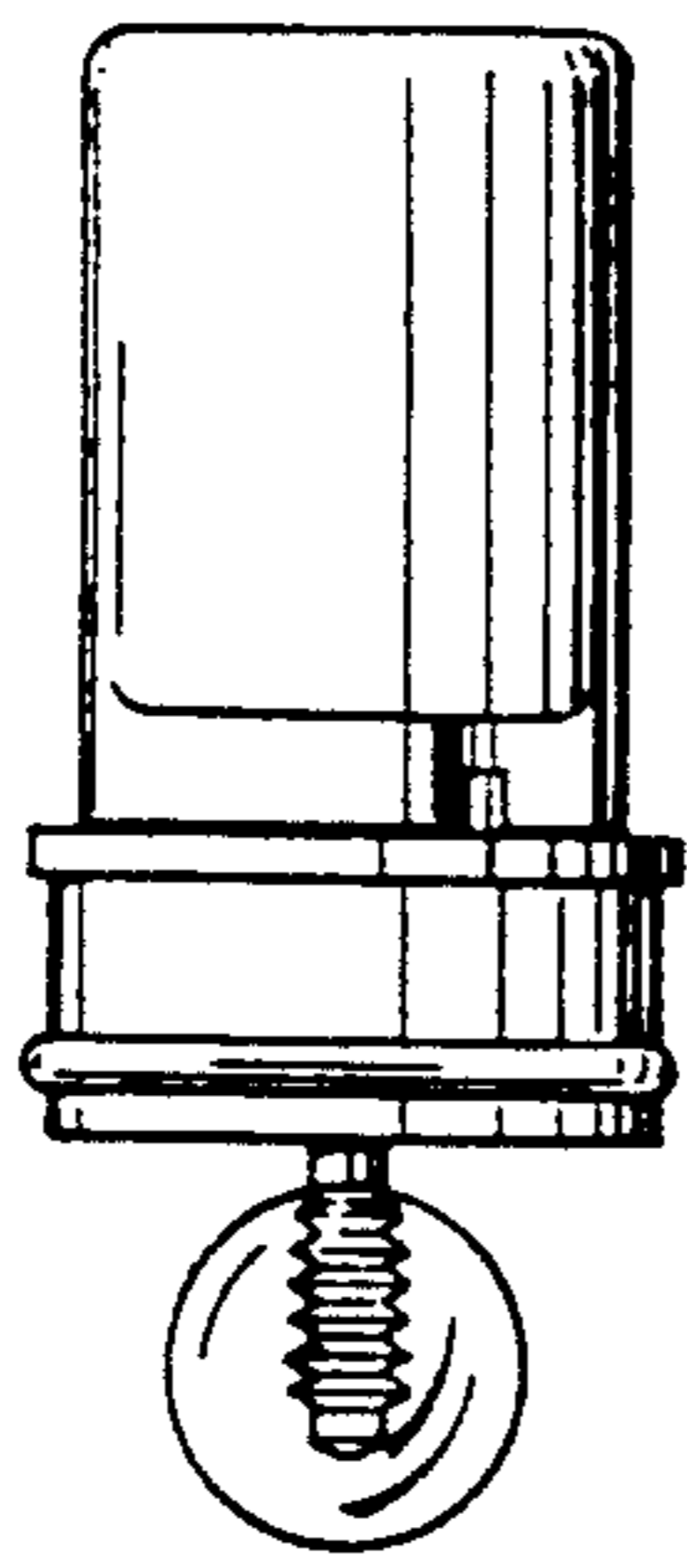
*Fig. 2*



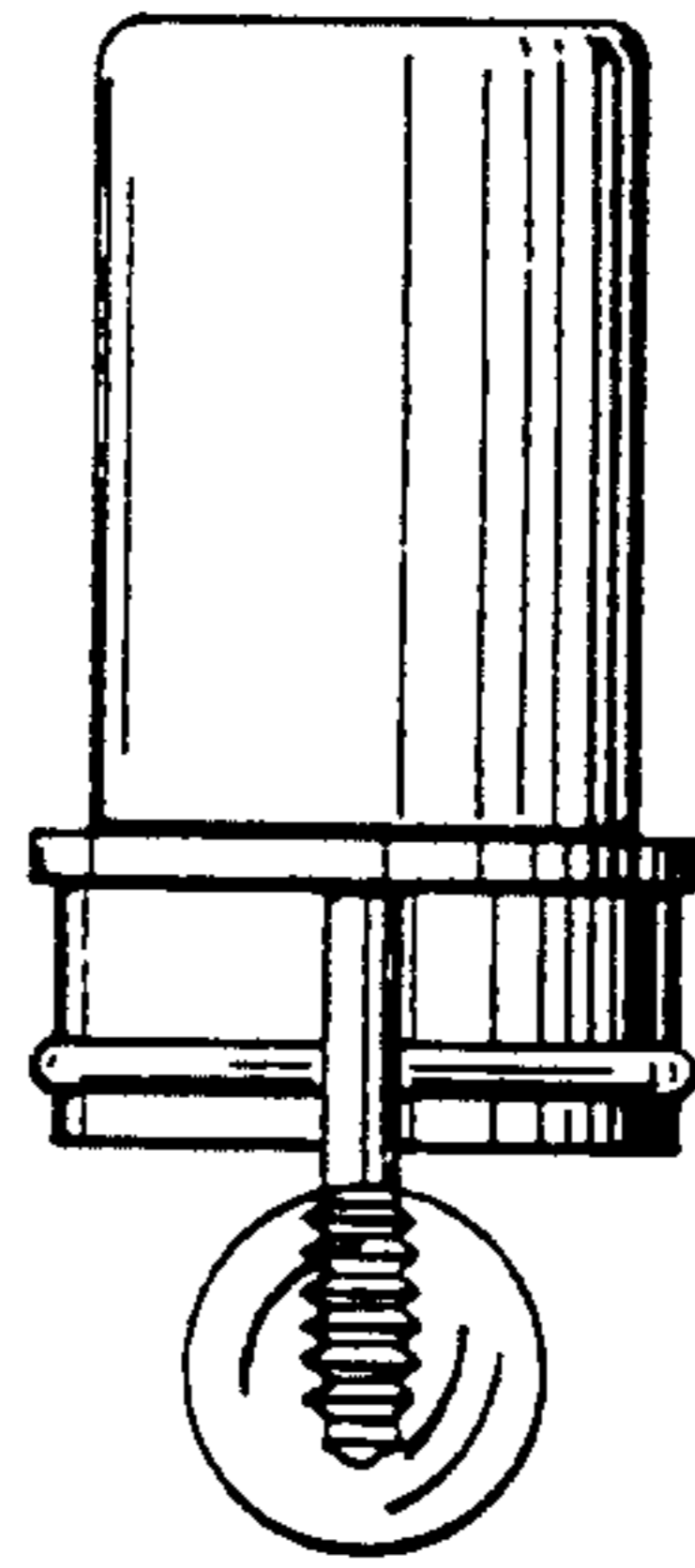
*Fig. 3*



*Fig. 4*



*Fig. 5*



*Fig. 6*

