



US00D346022S

United States Patent [19]

[11] Patent Number: **Des. 346,022**

Quigley et al.

[45] Date of Patent: **** Apr. 12, 1994**

[54] **ABDOMINAL RETRACTOR**

4,798,195 1/1989 Seare, Jr. 128/20
4,889,107 12/1989 Kaufman D24/135 X

[75] Inventors: **Patrick C. Quigley**, Cameron Park;
Timothy C. Quigley, Grizzly Flats;
Bernard Goott, Del Mar, all of Calif.

Primary Examiner—A. Hugo Word
Assistant Examiner—I. Simmons
Attorney, Agent, or Firm—Lothrop & West

[73] Assignee: **Adept-Med International, Inc.**,
Cameron Park, Calif.

[57] **CLAIM**

[**] Term: **14 Years**

The ornamental design for an abdominal retractor, as shown and described.

[21] Appl. No.: **942,498**

DESCRIPTION

[22] Filed: **Sep. 8, 1992**

[52] U.S. Cl. **D24/135; D24/136**

[58] Field of Search 128/20; D24/135, 136

FIG. 1 is a perspective view of an abdominal retractor, showing our new design;

FIG. 2 is a side elevational view thereof, the opposite side elevational view being a mirror image;

FIG. 3 is a top plan view thereof, the bottom plan view being a mirror image;

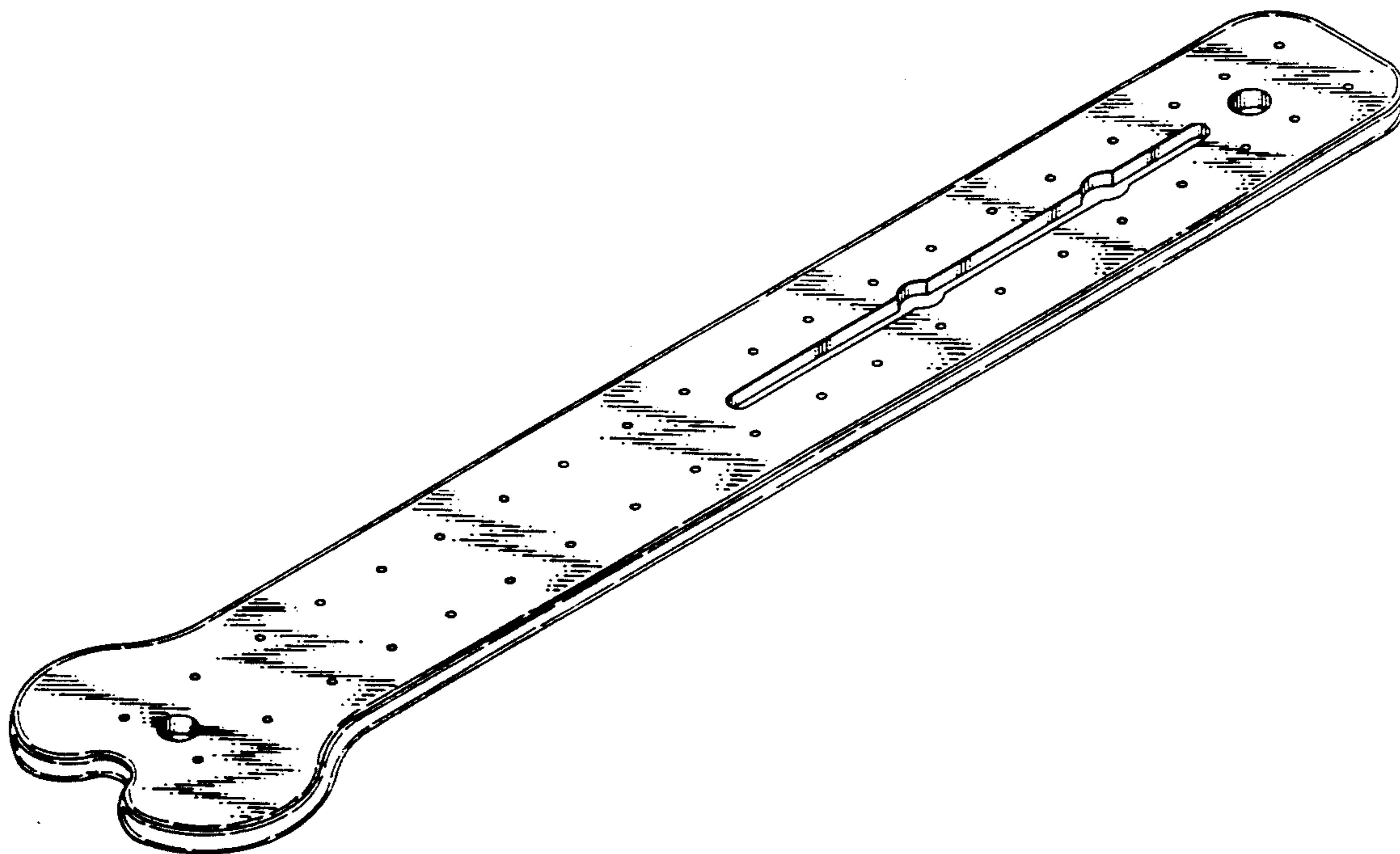
FIG. 4 is an elevational view of the lobed end thereof; and,

FIG. 5 is an elevational view of the opposite end thereof.

[56] **References Cited**

U.S. PATENT DOCUMENTS

D. 35,714	2/1902	Pilling	D24/135
D. 320,658	10/1991	Quigley et al.	D24/135
4,610,243	9/1986	Ray	128/20



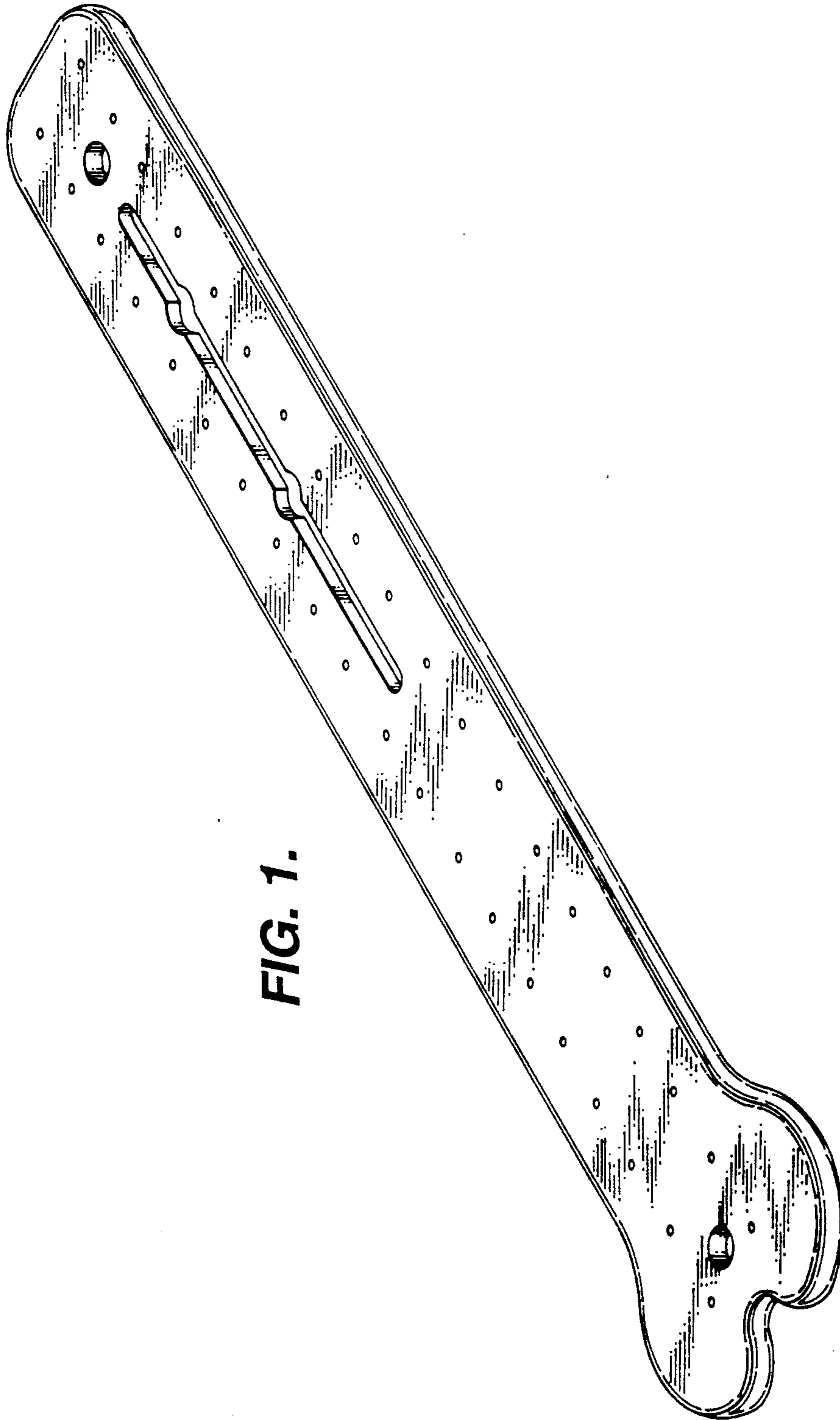


FIG. 1.



FIG. 2.

FIG. 3.

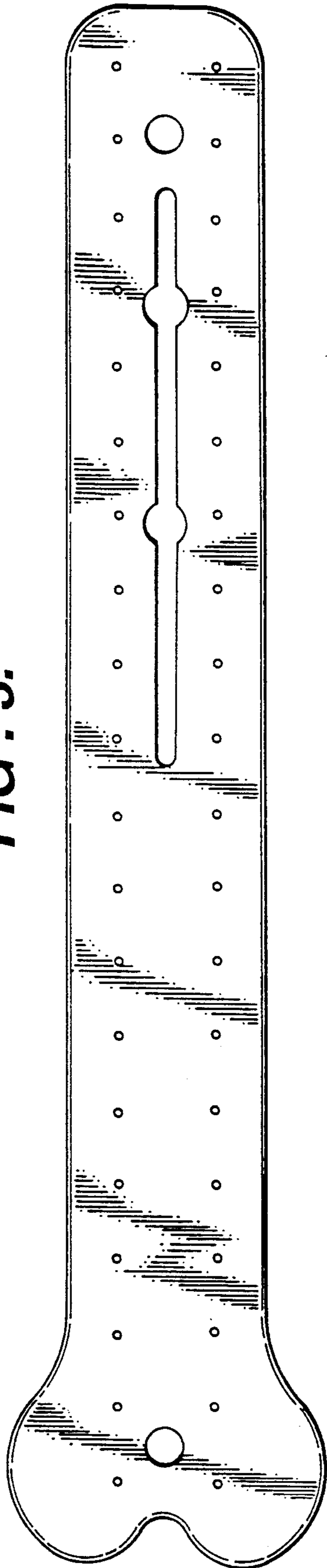


FIG. 5.



FIG. 4.

