



US00D346021S

United States Patent [19]

[11] Patent Number: **Des. 346,021**

Liberman et al.

[45] Date of Patent: **** Apr. 12, 1994**

- [54] **DIAPER COVER** 4,728,326 3/1988 Gilles 604/385.1 X
 4,731,883 3/1988 Foster .
 [75] Inventors: **David R. Liberman; Jacqueline L. Liberman**, both of Paradise Valley, Ariz. 4,801,298 1/1989 Sorensen et al. .
 4,981,480 1/1991 Gaudet et al. .
 5,019,068 5/1991 Perez et al. .
 5,069,672 12/1991 Wippler et al. 604/385.1
 5,106,382 4/1992 Henry 604/385.2
- [73] Assignee: **Bumkins International, Inc.**, Phoenix, Ariz.
 [75] Term: **14 Years**
 [21] Appl. No.: **737,516**
 [22] Filed: **Jul. 30, 1991**
 [52] U.S. Cl. **D24/126**
 [58] Field of Search 604/358-362, 604/385.1, 385.2, 384, 386, 389-391, 393, 394, 396; D24/126, 124

Primary Examiner—Stella Reid
Attorney, Agent, or Firm—Marshall, O'Toole, Gerstein, Murray & Borun

[57] CLAIM

The ornamental design for a diaper cover, as shown and described.

DESCRIPTION

FIG. 1 is a front perspective view of a diaper cover, showing our new design in a folded position; FIG. 2 is a front elevational view thereof; FIG. 3 is a side elevational view thereof, the opposite side elevational view being identical thereto; FIG. 4 is a back elevational view thereof; FIG. 5 is a top elevational view thereof; FIG. 6 is a bottom elevational view thereof; and, FIG. 7 is an elevational view thereof in the unfolded position.

- [56] **References Cited**
U.S. PATENT DOCUMENTS
 1,491,690 4/1924 George .
 1,695,109 12/1928 Kosloff .
 2,544,069 3/1951 Cutler .
 3,882,871 5/1975 Taniguchi .
 4,402,690 9/1983 Redfern D24/126 X
 4,516,975 5/1985 Mitchell 604/385.2

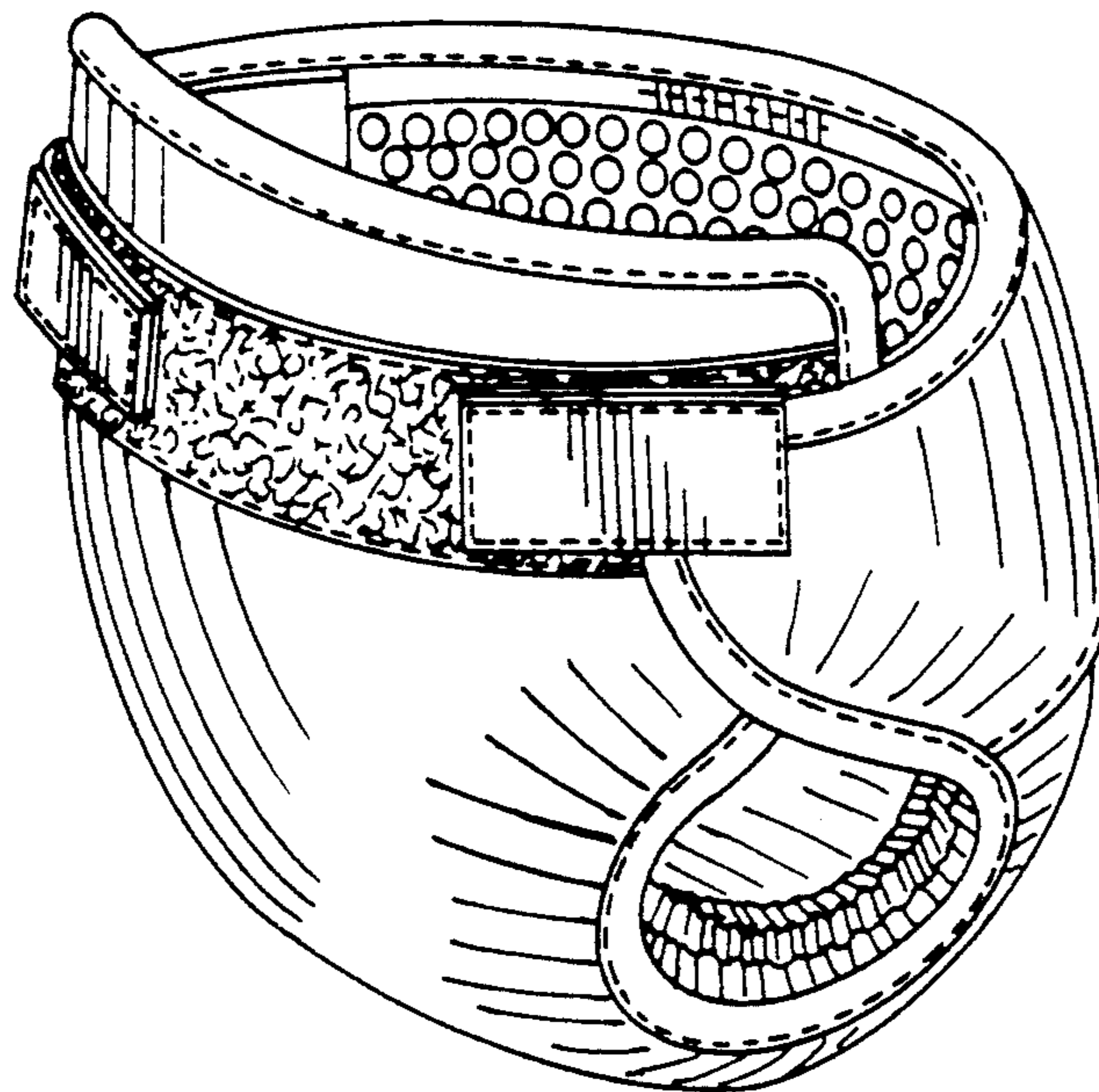


FIG. 1

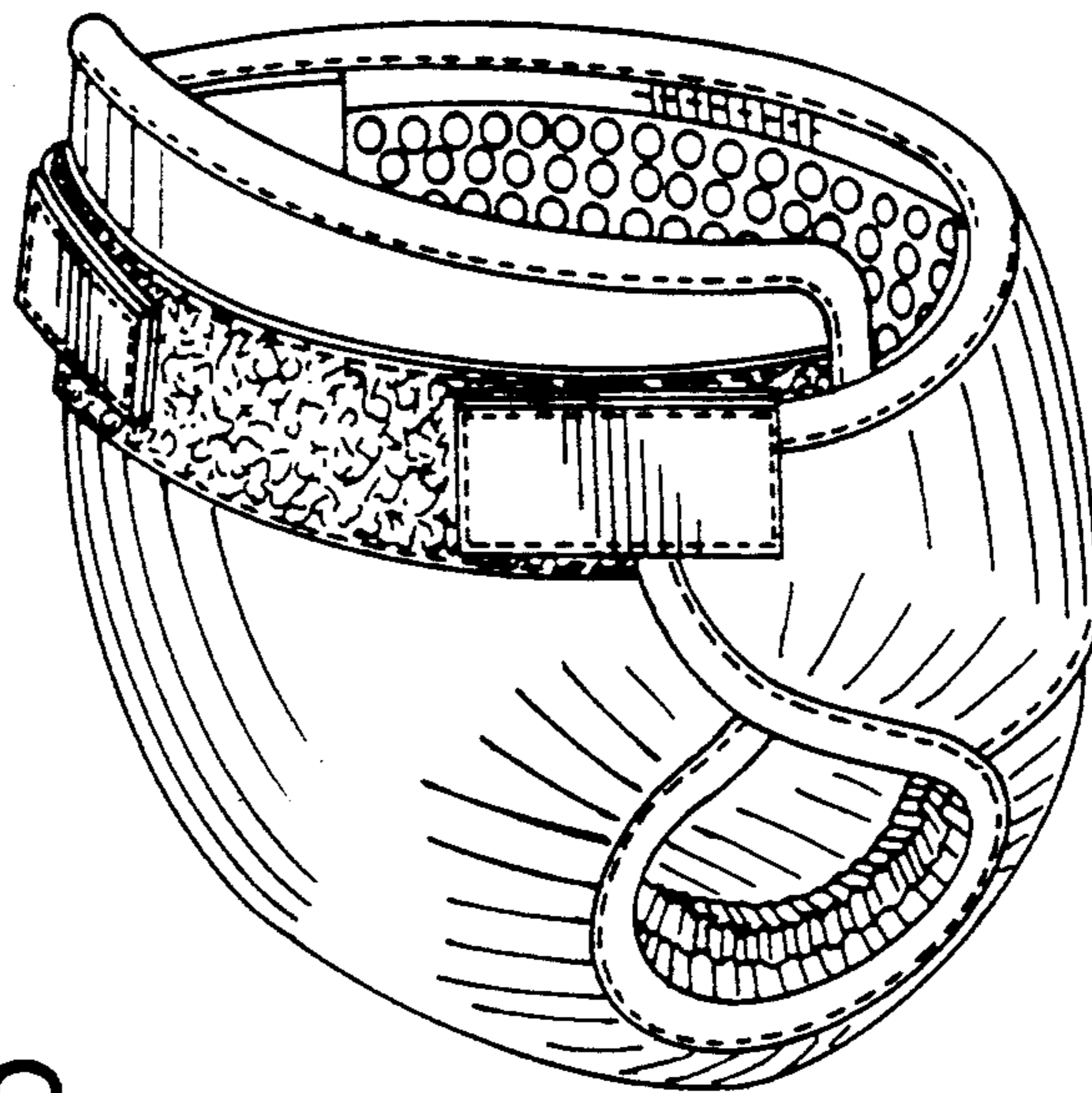


FIG. 2

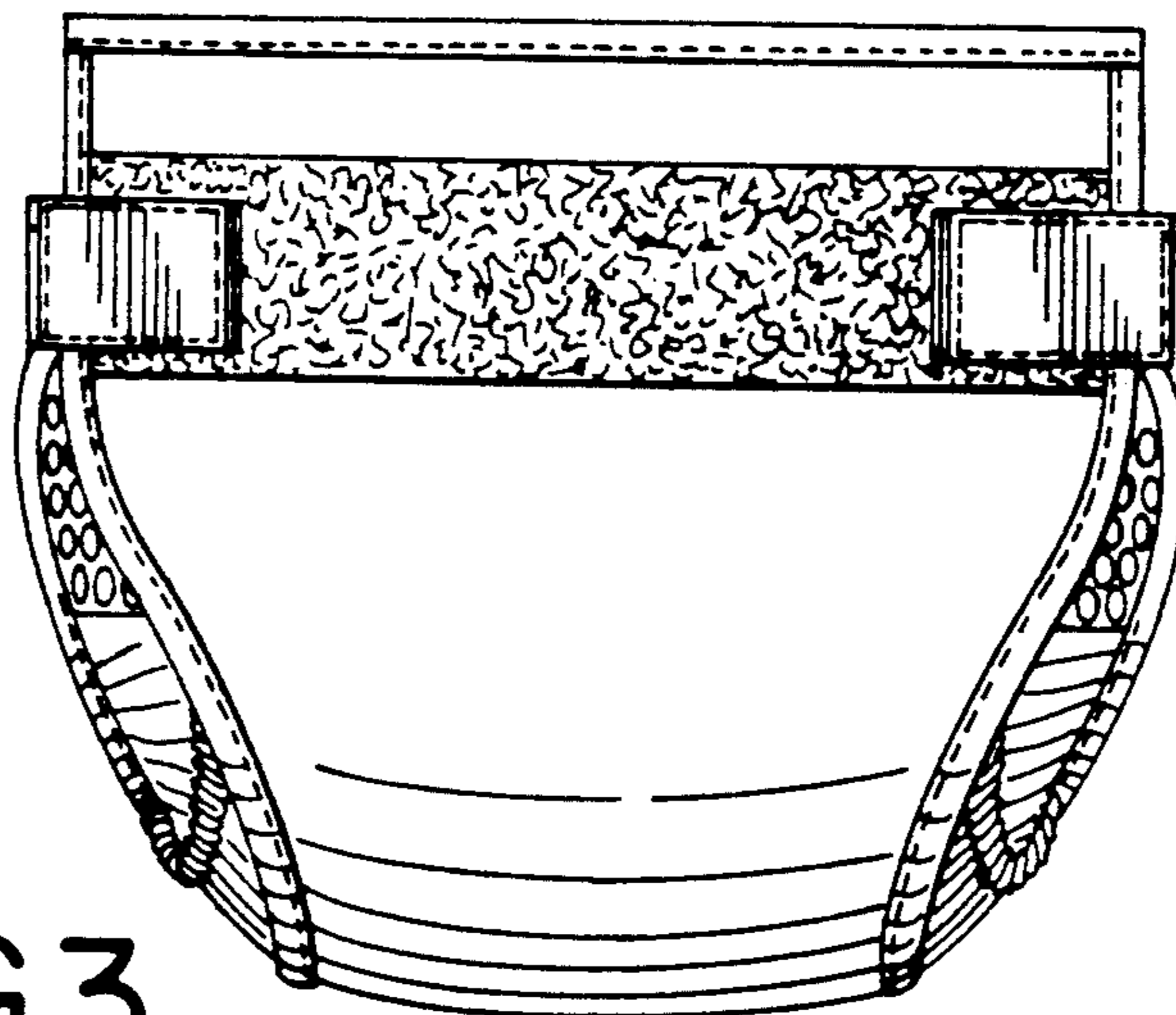


FIG. 3

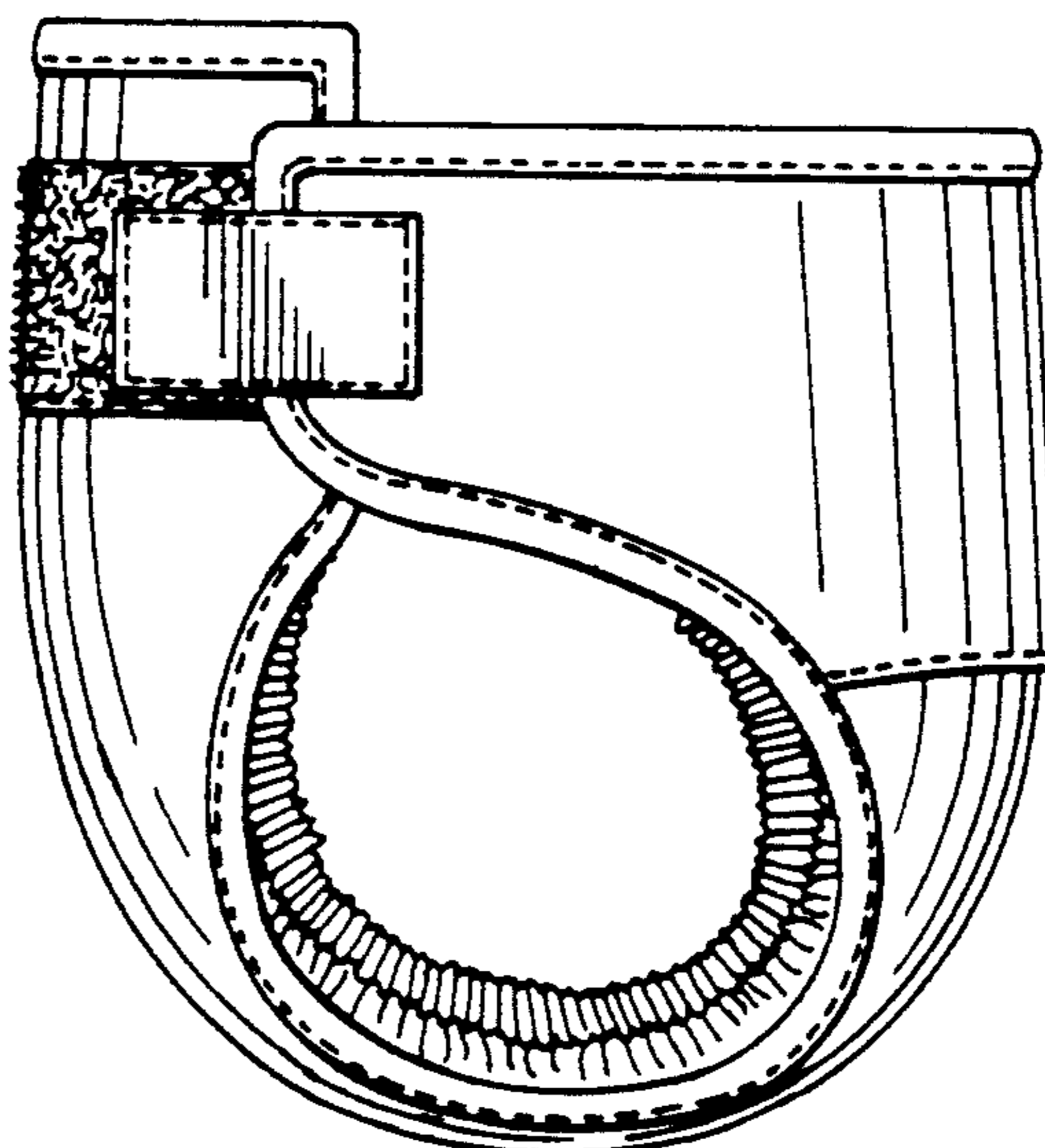


FIG. 4

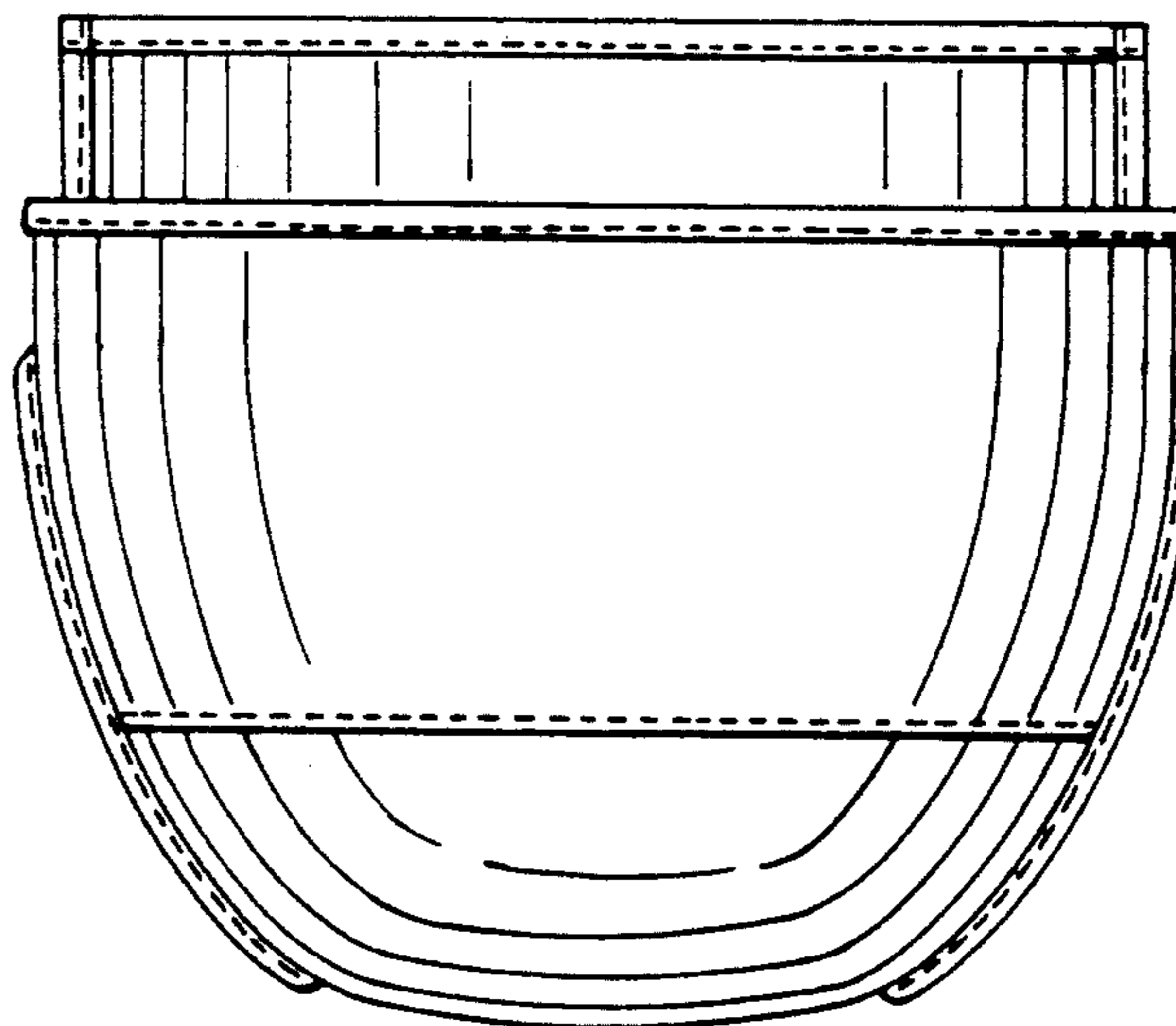


FIG. 5

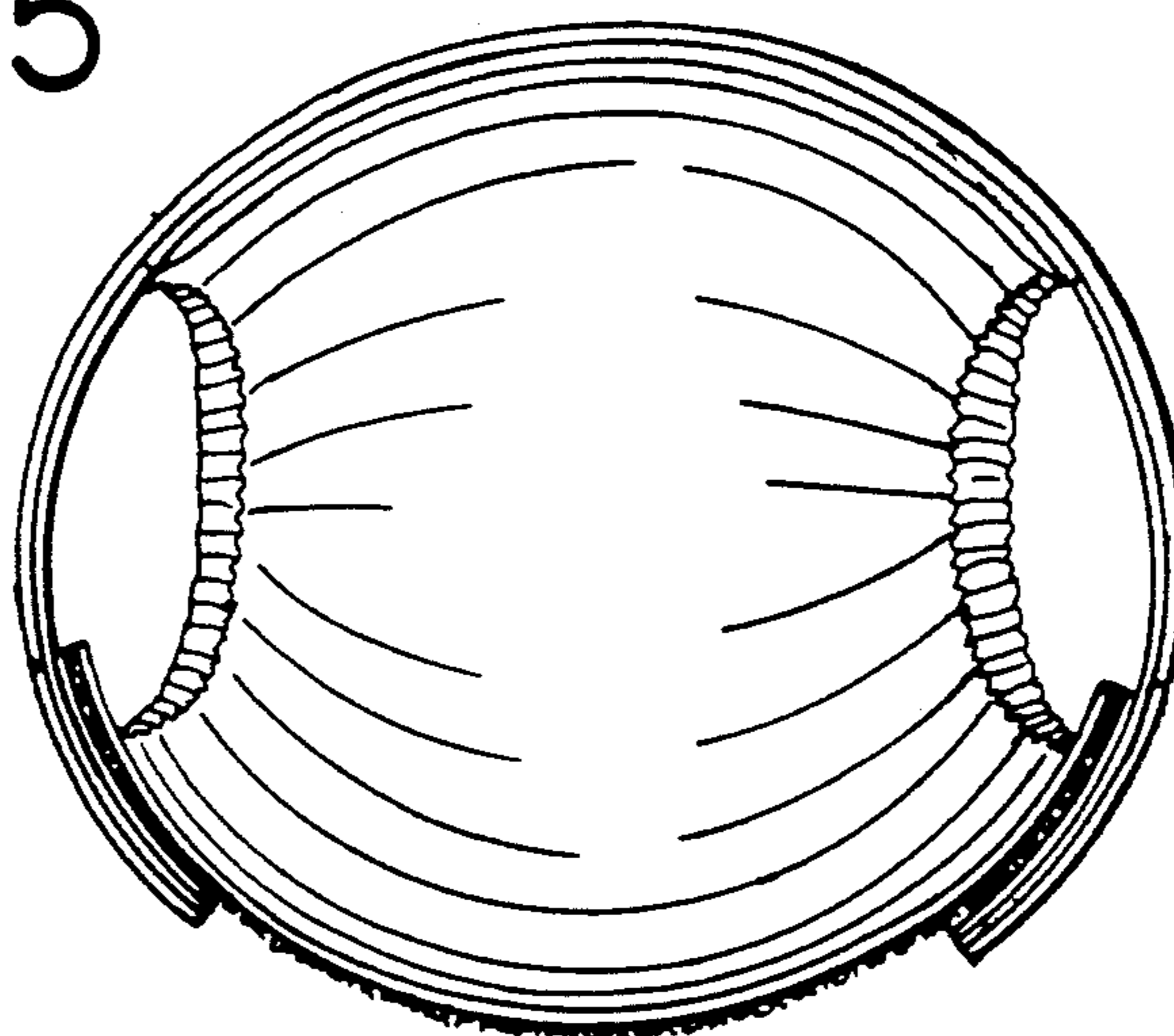
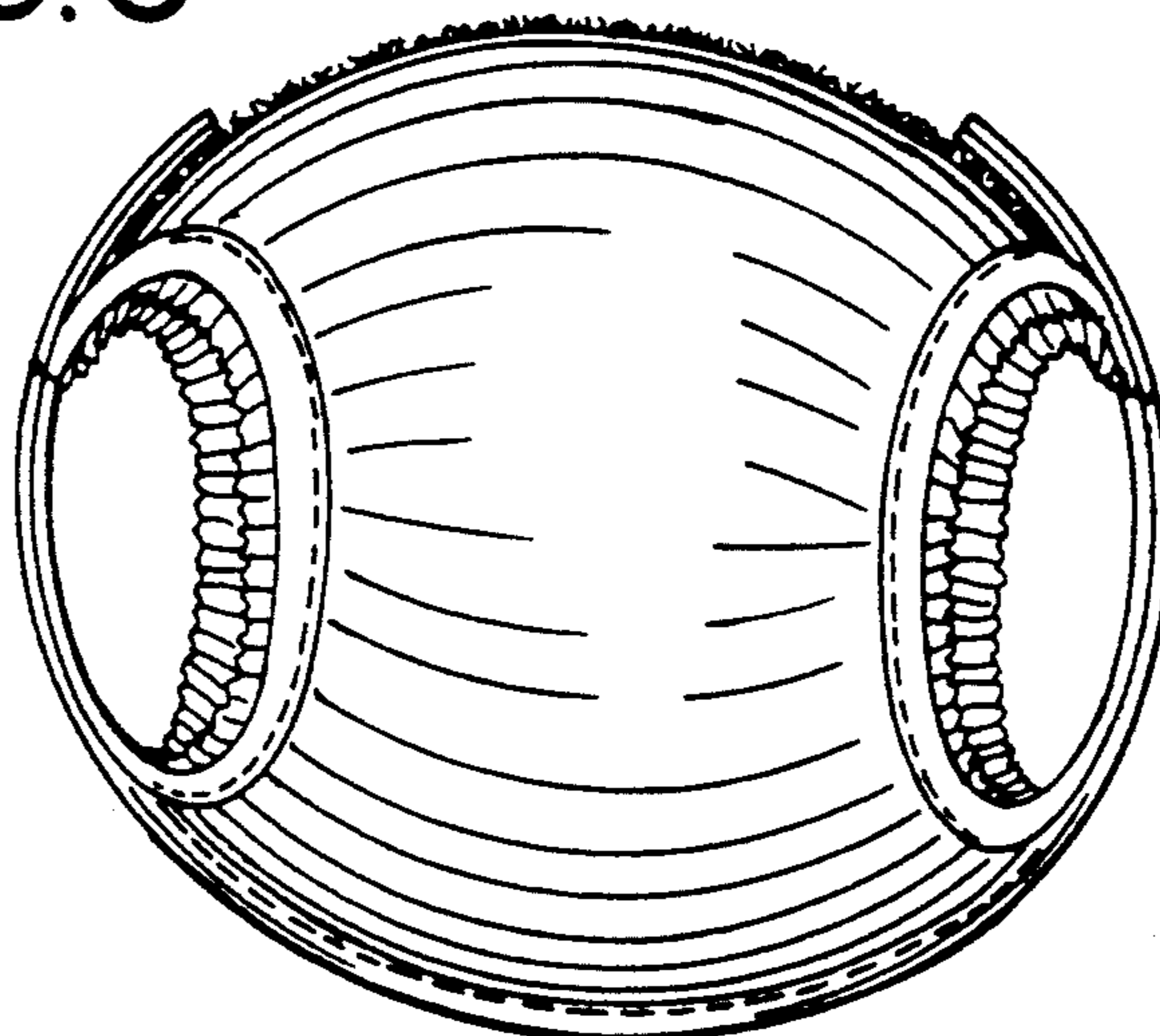


FIG. 6



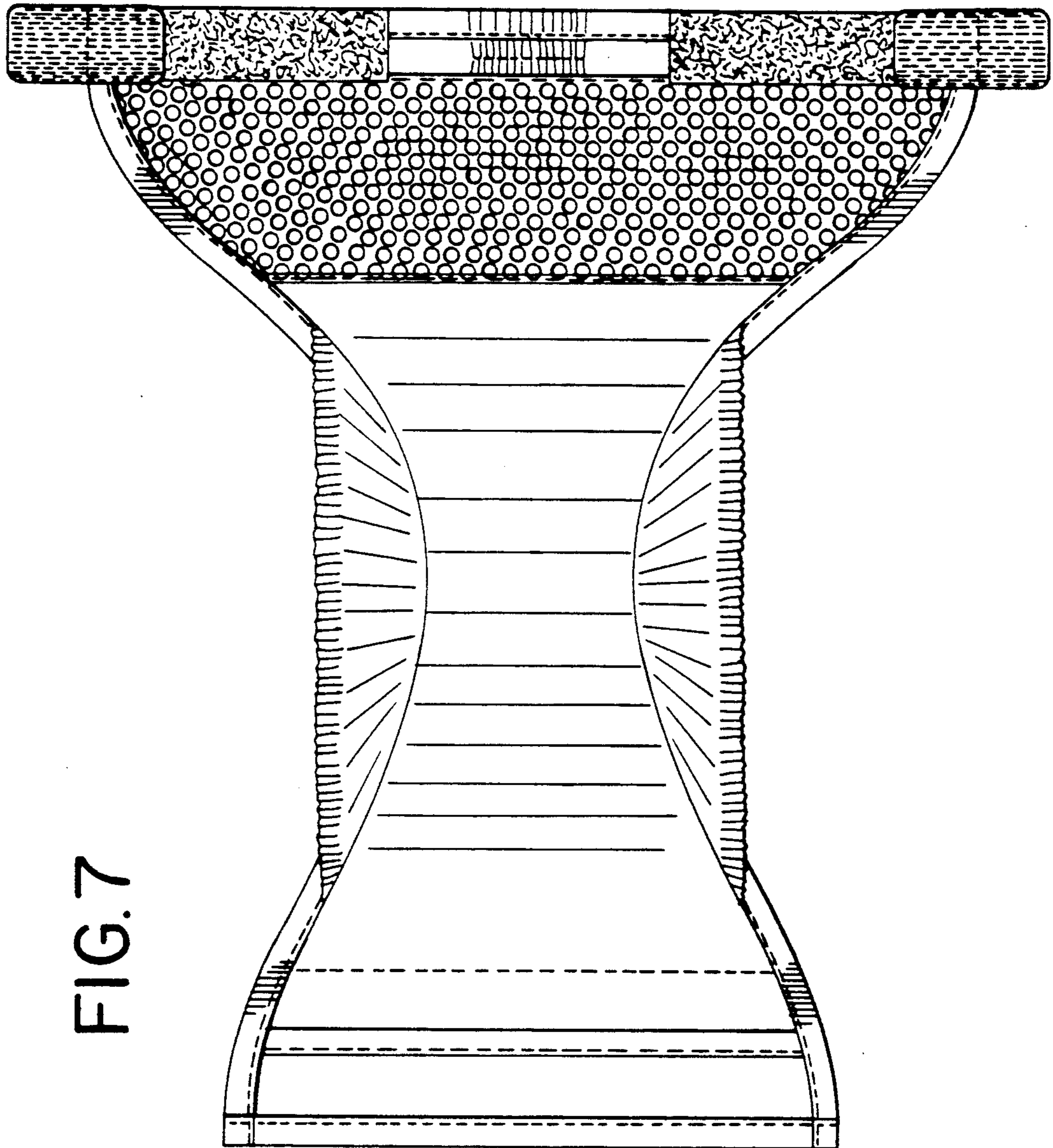


FIG. 7